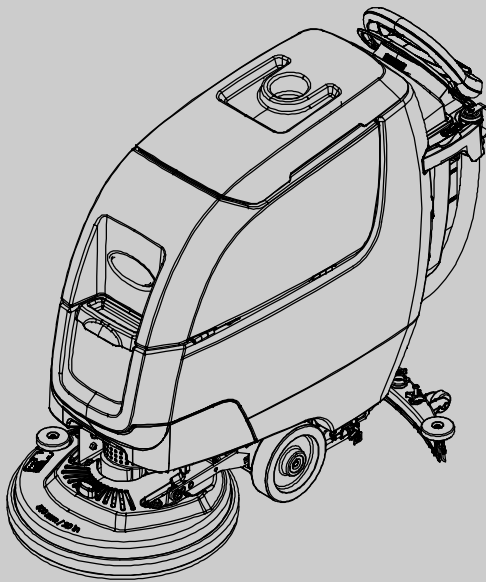




T300

Automatic Floor Scrubber

Parts Manual



Hygenic[®] Fully Cleanable Recovery Tank
TennantTrue[®] Parts
IRIS[®] a Tennant Technology



For the latest Parts manuals and other language Operator manuals, visit:

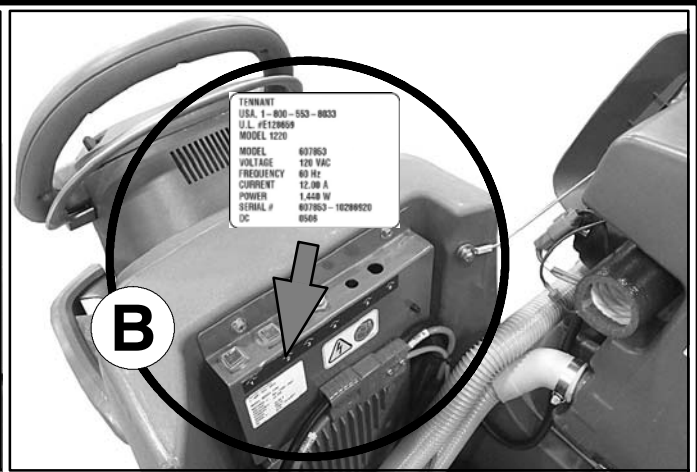
www.tennantco.com/manuals

North America / International

www.tennantco.com

9014500
Rev. 00 (03-2015)





| Ref | Part No. | Serial Number | Description | Qty. |
|-----|----------|------------------|---------------------------------|------|
| 1 | 82681 | (000000-) | Bracket Wldt, Lpg Mount | 1 |
| ∇ 2 | 63810 | (000000-) | Latch Assy, Lpg Tank Mtg, W/Nut | 4 |
| ▲ 3 | 51839 | (000000-) | Nut Adjustable, Lpg Tank Mtg | 2 |
| 4 | 49263 | (000000-) | Tie, Cable | 3 |
| (D) | 82556 | (000000- 001039) | Bracket, Vaporizer | 1 |
| | 54930 | (000000-) | Vaporizer, LPG | 1 |

HOW TO ORDER PARTS - See diagram above

Only use TENNANT Company supplied or equivalent parts. Parts and supplies may be ordered online, by phone, by fax or by mail.

Follow the steps below to ensure prompt delivery.

1. (A) Identify the machine model.
2. (B) Identify the machine serial number from the data label.
3. (C) Ensure the proper serial number is used from the parts list.
4. Identify the part number and quantity. Do not order by page or reference numbers.
5. Provide your name, company name, customer ID number, billing and shipping address, phone number and purchase order number.
6. Provide detail shipping instructions.

- (D) ∇ - identifies an assembly
 ▲ - identifies parts included in assembly

Please fill out at time of installation for future reference.

Model No. - _____

Serial No. - _____

Machine Options - _____

Sales Rep. - _____

Sales Rep. phone no. - _____

Customer ID Number - _____

Installation Date - _____

Tennant Company
 PO Box 1452
 Minneapolis, MN 55440 USA
 Phone: (800) 553- 8033 or
 (763) 513- 2850
 www.tennantco.com

Tennant Cleaning Systems & Equipment Co., Ltd
 Building 1, No. 3777 Caoying Road
 Qingpu Shanghai, China 201712
 Phone: 86 21 6922 53333
 Fax: 86 21 69225151
 www.tennantco.com.cn

Tennant Company Japan
 9F Industry & Trade Center
 Yokohama, Kanagawa 231- 0023
 Japan
 Telephone: 81- 45- 640- 5630
 Fax: 81- 45- 640- 5604
 www.tennant.co.jp.com

Specifications and parts are subject to change without notice.

Copyright © 2015 TENNANT Company, Printed in U.S.A.

| | | |
|-----------|--|---|
| ES | <p>CÓMO SOLICITAR PIEZAS - Consulte el diagrama anterior.</p> <p>Utilice sólo las piezas suministradas por TENNANT Company o piezas equivalentes. Puede solicitar las piezas a través de internet, por teléfono, por fax o por correo.</p> <p>Siga los siguientes pasos para que la entrega sea rápida.</p> <ol style="list-style-type: none"> 1. (A) Indique el modelo de máquina. 2. (B) Indique el número de serie de la etiqueta de datos. 3. (C) Asegúrese de que indica el número de serie correcto de la lista de piezas. 4. Indique la cantidad y el número de la pieza. No realice el pedido indicando el número de página o el de referencia. 5. Incluya su nombre, el nombre de la empresa, el ID de cliente, las direcciones de envío y facturación, el número de teléfono y el número del pedido de compra. 6. Facilite instrucciones de envío. <hr/> <p>(D) ▽ - identifica un conjunto ▲ - identifica piezas de un conjunto</p> | <p>Rellene estos datos cuando realice la instalación para utilizarlos como referencia en el futuro.</p> <p>Nº modelo - _____</p> <p>Nº serie - _____</p> <p>Opciones de la máquina - _____</p> <p>Vendedor - _____</p> <p>Nº teléfono vendedor - _____</p> <p>Nº cliente - _____</p> <p>Fecha de instalación - _____</p> |
|-----------|--|---|

| | | |
|-----------|--|---|
| FR | <p>COMMENT COMMANDER DES PIÈCES DÉTACHÉES - Voir le schéma ci-dessus.</p> <p>Utilisez uniquement des pièces fournies par la société TENNANT ou équivalentes. Les pièces et fournitures peuvent être commandées en ligne, par téléphone, fax, ou par courrier.</p> <p>Suivez les étapes ci-dessous pour assurer une livraison rapide.</p> <ol style="list-style-type: none"> 1. (A) Identifiez le modèle de la machine. 2. (B) Identifiez le numéro de série de la machine, à partir de l'étiquette signalétique. 3. (C) Assurez-vous que le numéro de série correct est utilisé à partir de la liste de pièces détachées. 4. Identifiez le numéro de pièce et la quantité. Ne commandez pas par page ou numéros de référence. 5. Fournissez votre nom, le nom de votre société, votre numéro d'identification de client, l'adresse de facturation et d'expédition, le numéro de téléphone et le numéro du bon de commande. 6. Fournissez des instructions d'expédition détaillées. <hr/> <p>(D) ▽ - identifie un assemblage ▲ - identifie les pièces composant l'assemblage</p> | <p>A remplir au moment de l'installation à titre de référence.</p> <p>Nº du modèle - _____</p> <p>Nº de série - _____</p> <p>Options de la machine - _____</p> <p>Agent commercial - _____</p> <p>Nº tél. de l'agent commercial - _____</p> <p>Numéro d'identification client - _____</p> <p>Date d'installation - _____</p> |
|-----------|--|---|

| | | |
|-----------|--|--|
| CN | <p>如何订购部件 - 参见下表</p> <p>仅使用 TENNANT 公司提供的或同等部件。部件和供应可以在线订购，通过电话、传真或邮件订购。</p> <p>请遵循下面的步骤确保及时交付。</p> <ol style="list-style-type: none"> 1. (A) 确定机器型号。 2. (B) 从数据标签确定机器序列号。 3. (C) 确保使用部件列表中的正确序列号。 4. 确定部件号和数量。 不要按页面或参考编号订购。 5. 提供您的姓名、公司名称、客户 ID 号、付帐和送货地址、电话号码和采购单编号。 6. 提供详细的送货说明。 <hr/> <p>(D) ▽ - 确定组件 ▲ - 确定组件中包含的组件</p> | <p>请在安装时填写供未来参考。</p> <p>型号 - _____</p> <p>序列号 - _____</p> <p>机器选项 - _____</p> <p>销售代表 - _____</p> <p>销售代表电话号码 - _____</p> <p>客户 ID 编号 - _____</p> <p>安装日期 - _____</p> |
|-----------|--|--|

| | | |
|-----------|---|---|
| JP | <p>パーツの発注方法 ? 上記の図を参照してください</p> <p>TENNANT社製のパーツまたは同等品のみをお使いください。パーツやサプライ品のご注文は、オンライン、電話、FAX、または手紙でお願いいたします。</p> <p>確実にお届けできるように、以下の情報お知らせください。</p> <ol style="list-style-type: none"> 1. (A) 製品のモデル名をお知らせください。 2. (B) 製品のデータラベルに印刷されているシリアル番号をお知らせください。 3. (C) パーツリストを参照して、シリアル番号が正しいかご確認ください。 4. パーツ番号と数量をお知らせください。マニュアル/カタログのページ番号や参照番号でのご注文はご遠慮ください。 5. お客様のお名前、会社名、顧客ID番号、請求/発送先住所、電話番号、注文書番号をお知らせください。 6. 発送に関するご希望があれば、明記してください。 <hr/> <p>(D) ▽ - アセンブリを示します ▲ - アセンブリに含まれるパーツを示します</p> | <p>後日確認できるように、設置時に記入してください。</p> <p>モデルNo. - _____</p> <p>シリアルNo. - _____</p> <p>製品のオプション - _____</p> <p>販売代理店 - _____</p> <p>販売代理店の電話番号 - _____</p> <p>顧客ID番号 - _____</p> <p>設置日 - _____</p> |
|-----------|---|---|

STANDARD PARTS

| | |
|---|----|
| GENERAL RECOMMENDED MAINTENANCE ITEMS | 6 |
| BRUSHES AND PAD DRIVER GROUP, 43CM DISK MAGNETIC HUB | 8 |
| BRUSHES AND PAD DRIVER GROUP, 50CM DISK MAGNETIC HUB | 10 |
| BRUSHES AND PAD DRIVER GROUP, 60CM DUAL DISK MAGNETIC HUB | 12 |
| BRUSHES GROUP, 50CM CYLINDRICAL | 14 |
| PAD GROUP, 50CM ORBITAL | 15 |
| SCRUB HEAD GROUP, 43CM DISK, MAGNETIC HUB | 16 |
| SCRUB HEAD GROUP, 50CM DISK, MAGNETIC HUB | 18 |
| SCRUB HEAD GROUP, 60CM DUAL DISK, MAGNETIC HUB | 20 |
| SCRUB HEAD GROUP, 50CM CYLINDRICAL .. | 24 |
| SCRUB HEAD GROUP, 50CM ORBITAL | 28 |
| RECOVERY TANK GROUP, STANDARD MODEL | 30 |
| RECOVERY TANK FILTER AND HOSE GROUP, SCREW CAP | 32 |
| RECOVERY TANK FILTER AND HOSE GROUP, CONTROL VALVE | 34 |
| SOLUTION TANK GROUP | 36 |
| FRAME GROUP, PROPEL MODEL | 38 |
| FRAME GROUP, PUSH MODEL | 40 |
| ACTUATED DOWN PRESSURE GROUP | 42 |
| SOLUTION GROUP, STANDARD MODEL | 44 |
| SOLUTION GROUP, STANDARD MODEL ec- H20 | 46 |
| SOLUTION GROUP, STANDARD MODEL ec- H20 & SEVERE ENVIRONMENT | 48 |
| ELECTRICAL COMPONENTS GROUP, STANDARD MODEL | 52 |
| LOWER CONSOLE GROUP, ON- BOARD CHARGER | 54 |
| LOWER CONSOLE GROUP, OFF- BOARD CHARGER | 56 |
| HANDLE GROUP, MEMBRANE PROPEL MODEL | 58 |
| HANDLE GROUP, MEMBRANE PUSH MODEL | 60 |

| | |
|---|-----|
| HANDLE GROUP, PRO- PANEL (LCD) PROPEL MODEL | 62 |
| HANDLE GROUP, PRO- PANEL (LCD) PUSH MODEL | 64 |
| SHROUD GROUP, DISK AND ORBITAL HEAD . | 66 |
| SHROUD GROUP, CYLINDRICAL HEAD | 68 |
| SCRUB HEAD LIFT GROUP, 43CM DISK MODEL | 70 |
| SCRUB HEAD LIFT GROUP, 50CM DISK MODEL | 72 |
| SCRUB HEAD LIFT GROUP, 60CM DUAL DISK MODEL | 74 |
| SCRUB HEAD LIFT GROUP, 50CM CYLINDRICAL MODEL | 76 |
| SCRUB HEAD LIFT GROUP, 50CM ORBITAL MODEL | 78 |
| SQUEEGEE GROUP | 80 |
| BATTERY GROUP, 105AH C20 WET | 82 |
| BATTERY GROUP, 130AH C20 WET | 84 |
| BATTERY GROUP, 155AH C20 WET | 86 |
| BATTERY GROUP, 140AH C20 AGM | 88 |
| LABEL GROUP | 90 |
| ELECTRICAL DIAGRAM, PROPEL MEMBRANE | 94 |
| ELECTRICAL DIAGRAM, PROPEL LCD | 98 |
| ELECTRICAL DIAGRAM, PUSH MEMBRANE .. | 102 |
| ELECTRICAL DIAGRAM, PUSH LCD | 106 |
| ELECTRICAL HARNESS, MAIN PROPEL | 110 |
| ELECTRICAL HARNESS, MAIN PUSH | 114 |
| ELECTRICAL HARNESS, OPTIONS PROPEL .. | 118 |
| ELECTRICAL HARNESS, OPTIONS PUSH | 119 |
| ELECTRICAL HARNESS, BAIL SWITCH | 120 |

OPTIONS

| | |
|--|-----|
| BATTERY LIFT OUT BOX KIT | 122 |
| HYDROLINK® BATTERY WATERING SYSTEM KIT | 124 |

BREAKDOWNS

| | |
|--|-----|
| ec- H20 NANOCLEAN MODULE BREAKDOWN | 126 |
| ORBITAL HEAD ECCENTRIC DRIVE BREAKDOWN | 128 |

RECOMMENDED MAINTENANCE ITEMS

GENERAL RECOMMENDED MAINTENANCE ITEMS

| | Part No. | Serial Number | Description | Qty. |
|---|----------|---------------|--|------|
| | 1213034 | (00000000- |) Brush Assy, Disk, Scb, 43cm, Mag, Nyl | 1 |
| | 1213035 | (00000000- |) Brush Assy, Disk, Scb, 43cm, Mag, Pyp | 1 |
| | 1213037 | (00000000- |) Brush Assy, Disk, Scb, 43cm, Mag, Ab | 1 |
| ▽ | 1211869 | (00000000- |) Driver Assy, Pad, 43cm, Brush, Magnetic | 1 |
| ▲ | 32506 | (00000000- |) Device, Centering, Rh Pad Retainer | 1 |
| | 32505 | (00000000- |) Washer, Flat, 92b 156d 2.6l, Pad Driver | 1 |
| | 1050273 | (00000000- |) Pad, Polish, 17.0d, White [1pick=1pad] | 1 |
| | 1050271 | (00000000- |) Pad, Buff, 17.0d, Red [1pick=1pad] | 1 |
| | 1050270 | (00000000- |) Pad, Scb, 17.0d, Blue [1pick=1pad] | 1 |
| | 1050267 | (00000000- |) Pad, Stripping, 17.0d, Brown[1pick=1pad] | 1 |
| | 1050262 | (00000000- |) Pad, Stripping, 17.0d[Hi Pro,1pick=1pad] | 1 |
| | 1051028 | (00000000- |) Pad, Surf Prep, 17.0d [Mar, 1pick=1pad] | 1 |
| | 1210386 | (00000000- |) Brush Assy, Disk, Scb, 50cm, Mag, Nyl | 1 |
| | 1213032 | (00000000- |) Brush Assy, Disk, Scb, 50cm, Mag, Pyp | 1 |
| | 1213033 | (00000000- |) Brush Assy, Disk, Scb, 50cm, Mag, Ab | 1 |
| ▽ | 1209197 | (00000000- |) Driver Assy, Pad, 50cm, Brush, Magnetic | 1 |
| ▲ | 32506 | (00000000- |) Device, Centering, Rh Pad Retainer | 1 |
| | 32505 | (00000000- |) Washer, Flat, 92b 156d 2.6l, Pad Driver | 1 |
| | 17260 | (00000000- |) Pad, Polish, 20.0d, White [1pick=1pad] | 1 |
| | 17261 | (00000000- |) Pad, Buff, 20.0d, Red [1pick=1pad] | 1 |
| | 17262 | (00000000- |) Pad, Scb, 20.0d, Blu [1pick=1pad] | 1 |
| | 17263 | (00000000- |) Pad, Stripping, 20.0d, Brown[1pick=1pad] | 1 |
| | 370094 | (00000000- |) Pad, Stripping, 20.0d[Hi Prod,1pick=1pad] | 1 |
| | 1051030 | (00000000- |) Pad, Surf Prep, 20.0d [Mar, 1pick=1pad] | 1 |
| | 1210136 | (00000000- |) Brush Assy, Disk, Scb, 30cm, Mag, Nyl | 2 |
| | 1213040 | (00000000- |) Brush Assy, Disk, Scb, 30cm, Mag, Pyp | 2 |
| | 1213041 | (00000000- |) Brush Assy, Disk, Scb, 30cm, Mag, Ab | 2 |
| ▽ | 1209160 | (00000000- |) Driver Assy, Pad, 30cm, [Magnetic] | 2 |
| ▲ | 370095 | (00000000- |) Device, Centering, Clip On, Tl [Gf Pp] | 1 |
| | 385940 | (00000000- |) Pad, Polish, 12.0d, White [1pick=1pad] | 2 |
| | 385941 | (00000000- |) Pad, Buff, 12.0d, Red [1pick=1pad] | 2 |
| | 385942 | (00000000- |) Pad, Scb, 12.0d, Blu [1pick=1pad] | 2 |
| | 385943 | (00000000- |) Pad, Stripping, 12.0d, Brown[1pick=1pad] | 2 |
| | 1063334 | (00000000- |) Pad, Stripping, 12.0d [Hi- Prod] Blk | 2 |
| | 1051020 | (00000000- |) Pad, Surf Prep, 12.0d [Mar, 1pick=1pad] | 2 |
| | 1209188 | (00000000- |) Brush, Scb, 21l, 20sr, Nyl (Cylindrical Model) | 2 |
| | 1212762 | (00000000- |) Brush, Scb, 21l, 20sr, Pyp (Cylindrical Model) | 2 |
| | 1205512 | (00000000- |) Pad, Polish, 20 X 14, White [1pick=1pc] (Orbital Model) | 1 |
| | 1205513 | (00000000- |) Pad, Buff, 20 X 14, Red [1pick=1pc] (Orbital Model) | 1 |
| | 1205514 | (00000000- |) Pad, Scb, 20 X 14, Blu [1pick=1pc] (Orbital Model) | 1 |
| | 1205515 | (00000000- |) Pad, Surf Prep, 20 X 14[Mar, 1pick=1pad] (Orbital Model) | 1 |
| | 1217830 | (00000000- |) Pad, Backer, 20 X 14 (Orbital Model) | 1 |
| ▽ | 9014172 | (00000000- |) Squeegee Kit, Linatex, Am [T300/E/Ss300] | 1 |
| ▲ | 1203954 | (00000000- |) Blade, Sqge, Front, 788l, Linatex[500mm] | 1 |
| ▲ | 1203953 | (00000000- |) Blade, Sqge, Rear, 836l, Linatex[500mm] | 1 |
| ▲ | 1010560 | (00000000- |) Wheel, Bmpr, 80d X 25w, Non- Marking | 2 |
| ▲ | 630477 | (00000000- |) Wheel, Pyu, 02.0d 0.38w, Gray | 2 |
| | 1055019 | (00000000- |) Bumper, Head, 43cm, W/ Bristle Skirt, Im | 1 |
| | 1055025 | (00000000- |) Bumper, Head, 50cm, W/ Bristle Skirt, Im | 1 |
| | 1072656 | (00000000- |) Bumper, Head, 60cm, Bristle Skirt | 1 |
| | 1010560 | (00000000- |) Wheel, Bmpr, 80d X 25w, Non- Marking (Disk Heads) | 1 |
| | 9011810 | (00000000- |) Module Kit, Replmt [Ec- H2o, B 02] (See Breakdowns) | 1 |
| | 9013646 | (00000000- |) Cartridge, Ec- H2o Nanoclean Wcm, 270ml | 1 |

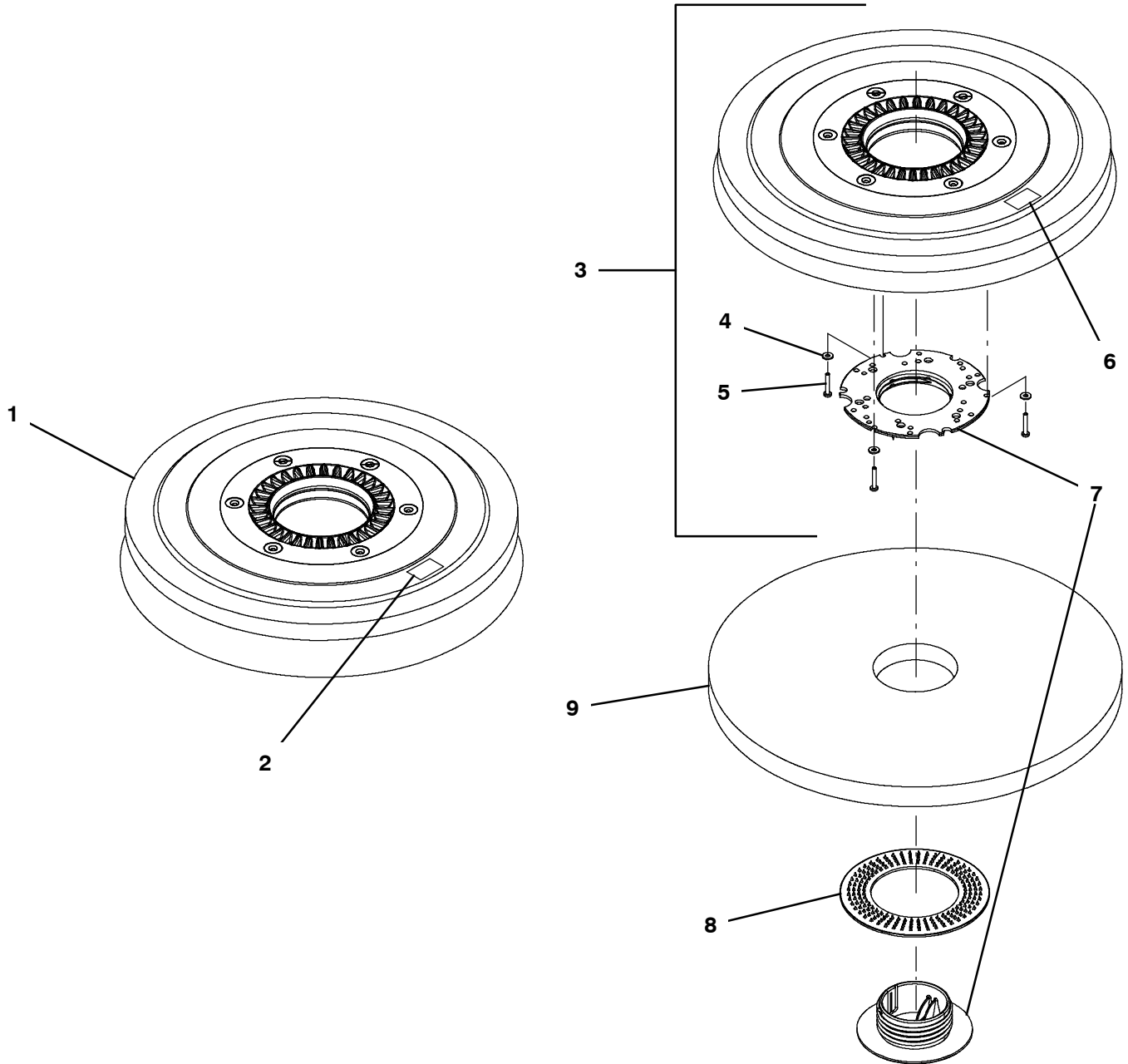
RECOMMENDED MAINTENANCE ITEMS

GENERAL RECOMMENDED MAINTENANCE ITEMS

| | Part No. | Serial Number | Description | Qty. |
|----|----------|---------------|--|------|
| ▽ | 1210703 | (00000000- |) Motor, Ele, 24vdc 0200rpm 1.00hp, 17mm (43CM & 50CM Disk Head) | 1 |
| ▲ | 1014328 | (00000000- |) Key, Sq, 05mm X 05mm, 25mml (43CM & 50CM Disk Head) | 1 |
| ▲ | 222606 | (00000000- |) Vr, Brush Kit, Motor, Ele [lp] (4Pc) (43CM & 50CM Disk Head) | 1 |
| ▽ | 1210212 | (00000000- |) Motor, 24vdc, 2000rpm, 7/8hp, Us (60CM Disk Head) | 1 |
| ▲ | 1217769 | (00000000- |) Key, Sq, 04mm X 04mm, 15mml (60CM Disk Head) | 1 |
| ▲ | 1059370 | (00000000- |) Brush, Motor, Replmt [Bag Of 4] (60CM Disk Head) | 1 |
| ▽ | 1210202 | (00000000- |) Motor, Ele, 24vdc [Vw Cyl] (Cylindrical Head) | 1 |
| ▲ | 1217769 | (00000000- |) Key, Sq, 04mm X 04mm, 15mml (Cylindrical Head) | 1 |
| ▲ | 1039817 | (00000000- |) Vr, Brush Kit, Motor, Ele (1 Pkg = 4 Pcs) (Cylindrical Head) | 1 |
| ▽ | 1212669 | (00000000- |) Motor, Ele, 24vdc, 2200rpm, .6hp, 22mm (Orbital Head) | 1 |
| ▲ | 1059370 | (00000000- |) Brush, Motor, Replmt [Bag Of 4] (Orbital Head) | 1 |
| ▲ | 1014328 | (00000000- |) Key, Sq, 05mm X 05mm, 25mml (Orbital Head) | 1 |
| | 9014166 | (00000000- |) Kit, Belt, Motor (Includes Installation Tool - Not Shown) (Cylindrical Head) | 1 |
| | 1209594 | (00000000- |) Cover, Belt (Cylindrical Head) | 1 |
| | 1215666 | (00000000- |) Skirt, Side, Cyl, Floating (Cylindrical Head) | 2 |
| | 1216689 | (00000000- |) Cover, Skirt, Cyl Door (Cylindrical Head) | 1 |
| | 1216728 | (00000000- |) Cover, Skirt, Cyl Head (Cylindrical Head) | 1 |
| | 630477 | (00000000- |) Wheel, Pyu, 02.0d 0.38w, Gray (Cylindrical Head) | 4 |
| ▽ | 1202880 | (00000000- |) Fan, Vacuum, 6.6d, 024vdc, 2 Stage | 1 |
| ▲ | 1206774 | (00000000- |) Vr, Brush Kit, Motor, Fan (1 Pkg = 2 Pcs) | 1 |
| | 1207357 | (00000000- |) Tray, Debris, Tank, Recvy [T300] | 1 |
| | 630052 | (00000000- |) Float, Shut- Off, (2)Ball, 1.75d | 1 |
| ▽ | 1213008 | (00000000- |) Hose Assy, Drain, 1.5d 025l 1.5/Cap [Pu] | 1 |
| ▲ | 1219134 | (00000000- |) Cap, Drain Assy [Gray] | 1 |
| ▽ | 1213010 | (00000000- |) Hose Assy, Drain, 1.5d 017l 1.5/Cap[Pvc] | 1 |
| ▲ | 1218955 | (00000000- |) Cap, Drain Assy [Black] | 1 |
| | 1204663 | (00000000- |) Hose Assy, W/2cuff,1.5d 026l 1.5/1.5[Pu] | 1 |
| | 1211220 | (00000000- |) Hose Assy,W/2cuff,1.5d 022l 1.5/1.5[Pvc] | 1 |
| ▽ | 9014171 | (00000000- |) Hose Assy, With Valve | 1 |
| ▲ | 1051986 | (00000000- |) Valve, Ball, 2way, 1.0id Pvc, W/Handle | 1 |
| ▲ | 1204663 | (00000000- |) Hose Assy, W/2cuff,1.5d 026l 1.5/1.5[Pu] | 1 |
| | 1210472 | (00000000- |) Seal, Afmkt, Bulb, 0.50d .13grip, 05ft (Rec Tank Lid) | 1 |
| | 9014158 | (00000000- |) Kit, Cover, Fill, Front, W/ Ech20 [Na/Ce | 1 |
| | 1046428 | (00000000- |) Seal, Afmkt, Rbr, Clsd, Adh, 02ft (Front Fill Cover) | 1 |
| | 1214249 | (00000000- |) Tray, Accssry, Rh, 16mm Screw | 1 |
| | 9013845 | (00000000- |) Clip Kit, Rail, [T300/T300e/Ss300] (Accessory Option) | 1 |
| ▽ | 1209779 | (00000000- |) Transaxle, Ele, 24vdc, 112rpm [Asi] | 1 |
| ▲▽ | 1216386 | (00000000- |) Motor, Transaxle, 24vdc, Replmt [Ul, Ce] | 1 |
| ▲▲ | 1212351 | (00000000- |) Brush Kit, Carbon, Transaxle, Ul (1 Kit = 4 Pcs) | 1 |
| ▲ | 1021167 | (00000000- |) Key, Woodruff, 5mm | 2 |
| | 1214595 | (00000000- |) Wheel, Scrbr, 8.00d, W/ Taper [Hi Trac] (Propel Model) | 2 |
| | 1214586 | (00000000- |) Wheel, Scrbr, 8.00d, W/ Brg [Hi Trac] (Push Model) | 2 |
| | 1212422 | (00000000- |) Caster, Swivel [Wicke 224051] | 1 |
| ▽ | 1211537 | (00000000- |) Filter, In- Line, Pf06/Pf06 080m 2.6l Epd | 1 |
| ▲ | 1218885 | (00000000- |) Gasket [Epdm, F/1211537] | 1 |
| ▲ | 1218883 | (00000000- |) Screen, Fltr, 80 Mesh, Ss [W/ Cage] | 1 |
| ▲ | 1211537 | (00000000- |) Filter, In- Line, Pf06/Pf06 080m 2.6l Epd | 1 |

BRUSHES AND PAD DRIVER GROUP, 43CM DISK MAGNETIC HUB

355338



BRUSHES AND PAD DRIVER GROUP, 43CM DISK MAGNETIC HUB

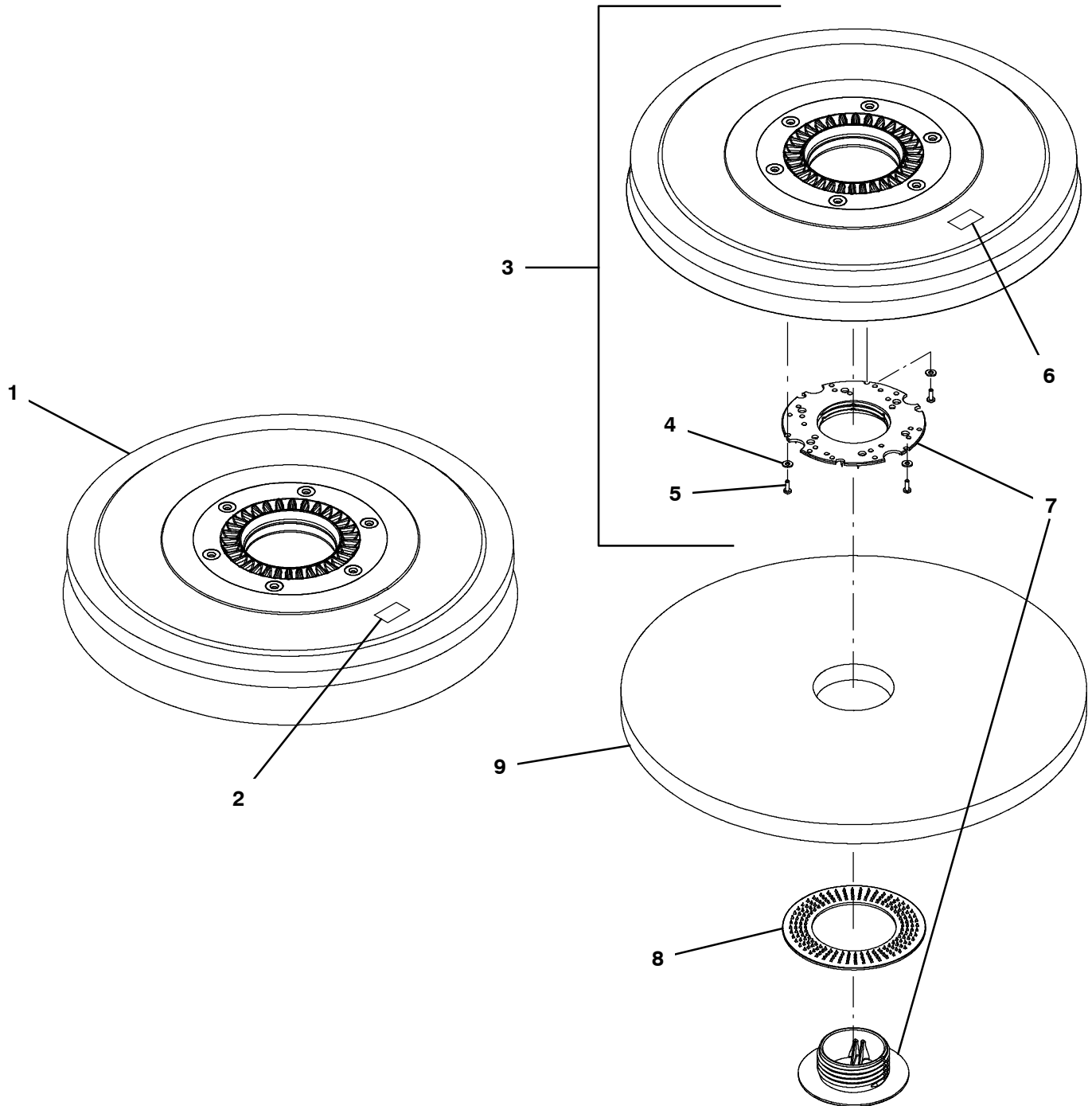
| | Ref. | Part No. | Serial Number | Description | Qty. |
|---|-------------|-----------------|----------------------|--|-------------|
| ▽ | 1 | 1213034 | (00000000- |) Brush Assy, Disk, Scb, 43cm, Mag, Nyl | 1 |
| ▽ | 1 | 1213035 | (00000000- |) Brush Assy, Disk, Scb, 43cm, Mag, Pyp | 1 |
| ▽ | 1 | 1213037 | (00000000- |) Brush Assy, Disk, Scb, 43cm, Mag, Ab | 1 |
| ▲ | 2 | 1218392 | (00000000- |) Label, Safety, Magnet, Med | 1 |
| ▽ | 3 | 1211869 | (00000000- |) Driver Assy, Pad, 43cm, Brush, Magnetic | 1 |
| ▲ | 4 | 41579 | (00000000- |) Washer, Flat, 08, Ss | 3 |
| ▲ | 5 | 1212542 | (00000000- |) Screw, Pan, Phl, M4 X 0.70 X 12, Ni, Ss | 3 |
| ▲ | 6 | 1218392 | (00000000- |) Label, Safety, Magnet, Med | 1 |
| ▲ | 7 | 32506 | (00000000- |) Device, Centering, Rh Pad Retainer | 1 |
| | 8 | 32505 | (00000000- |) Washer, Flat, 92b 156d 2.6l, Pad Driver | 1 |
| | 9 | 1050273 | (00000000- |) Pad, Polish, 17.0d, White [1pick=1pad] | 1 |
| | 9 | 1050271 | (00000000- |) Pad, Buff, 17.0d, Red [1pick=1pad] | 1 |
| | 9 | 1050270 | (00000000- |) Pad, Scb, 17.0d, Blue [1pick=1pad] | 1 |
| | 9 | 1050267 | (00000000- |) Pad, Stripping, 17.0d, Brown[1pick=1pad] | 1 |
| | 9 | 1050262 | (00000000- |) Pad, Stripping, 17.0d[Hi Pro,1pick=1pad] | 1 |
| | 9 | 1051028 | (00000000- |) Pad, Surf Prep, 17.0d [Mar, 1pick=1pad] | 1 |

▽ ASSEMBLY

▲ INCLUDED IN ASSEMBLY

BRUSHES AND PAD DRIVER GROUP, 50CM DISK MAGNETIC HUB

355339



BRUSHES AND PAD DRIVER GROUP, 50CM DISK MAGNETIC HUB

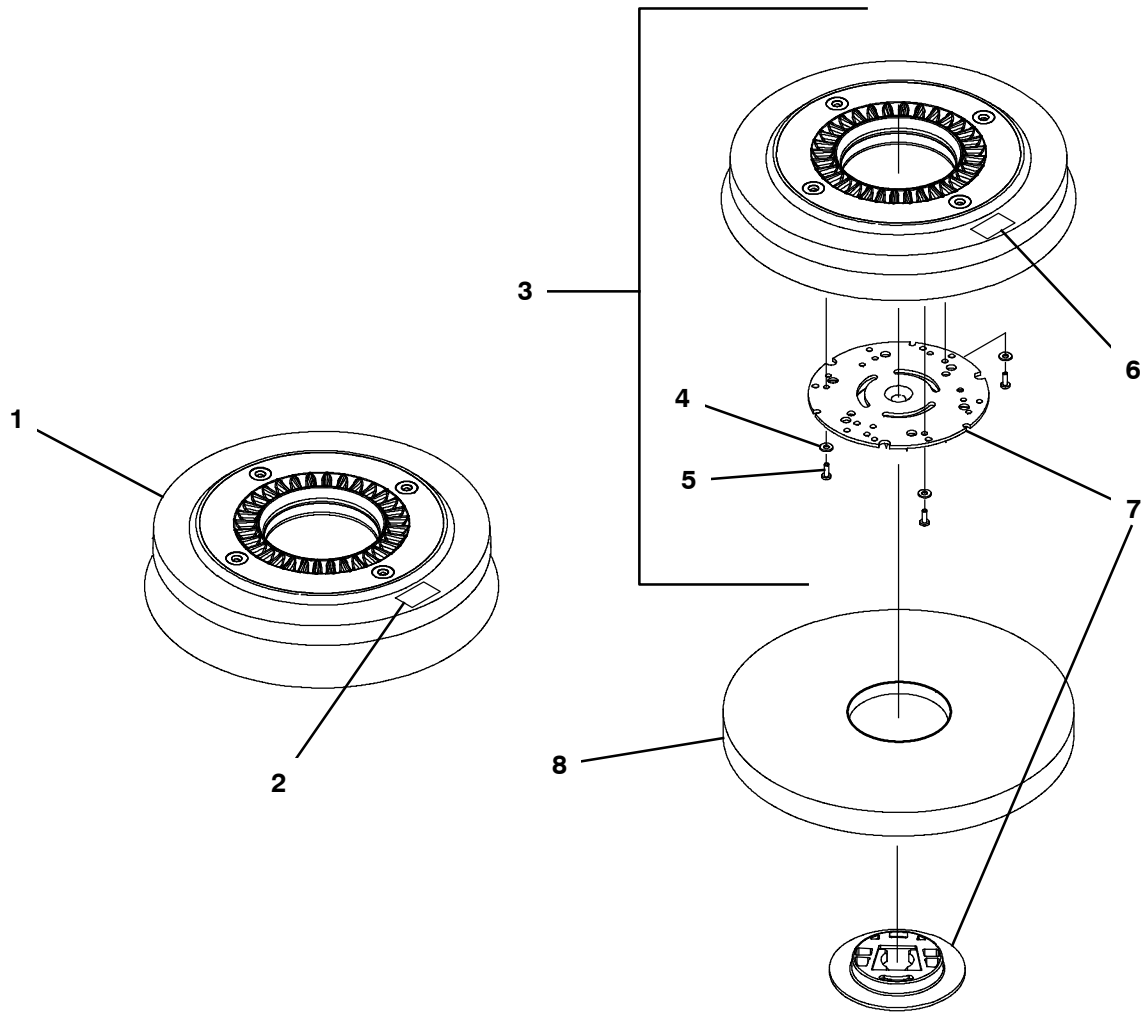
| | Ref. | Part No. | Serial Number | Description | Qty. |
|---|------|----------|---------------|---|------|
| ▽ | 1 | 1210386 | (00000000- |) Brush Assy, Disk, Scb, 50cm, Mag, Nyl | 1 |
| ▽ | 1 | 1213032 | (00000000- |) Brush Assy, Disk, Scb, 50cm, Mag, Pyp | 1 |
| ▽ | 1 | 1213033 | (00000000- |) Brush Assy, Disk, Scb, 50cm, Mag, Ab | 1 |
| ▲ | 2 | 1218392 | (00000000- |) Label, Safety, Magnet, Med | 1 |
| ▽ | 3 | 1209197 | (00000000- |) Driver Assy, Pad, 50cm, Brush, Magnetic | 1 |
| ▲ | 4 | 41579 | (00000000- |) Washer, Flat, 08, Ss | 3 |
| ▲ | 5 | 1212542 | (00000000- |) Screw, Pan, Phl, M4 X 0.70 X 12, Ni, Ss | 3 |
| ▲ | 6 | 1218392 | (00000000- |) Label, Safety, Magnet, Med | 1 |
| ▲ | 7 | 32506 | (00000000- |) Device, Centering, Rh Pad Retainer | 1 |
| | 8 | 32505 | (00000000- |) Washer, Flat, 92b 156d 2.6l, Pad Driver | 1 |
| | 9 | 17260 | (00000000- |) Pad, Polish, 20.0d, White [1pick=1pad] | 1 |
| | 9 | 17261 | (00000000- |) Pad, Buff, 20.0d, Red [1pick=1pad] | 1 |
| | 9 | 17262 | (00000000- |) Pad, Scb, 20.0d, Blu [1pick=1pad] | 1 |
| | 9 | 17263 | (00000000- |) Pad, Stripping, 20.0d, Brown[1pick=1pad] | 1 |
| | 9 | 370094 | (00000000- |) Pad, Stripping, 20.0d[Hi Prod,1pick=1pad] | 1 |
| | 9 | 1051030 | (00000000- |) Pad, Surf Prep, 20.0d [Mar, 1pick=1pad] | 1 |

▽ ASSEMBLY

▲ INCLUDED IN ASSEMBLY

BRUSHES AND PAD DRIVER GROUP, 60CM DUAL DISK MAGNETIC HUB

355340



BRUSHES AND PAD DRIVER GROUP, 60CM DUAL DISK MAGNETIC HUB

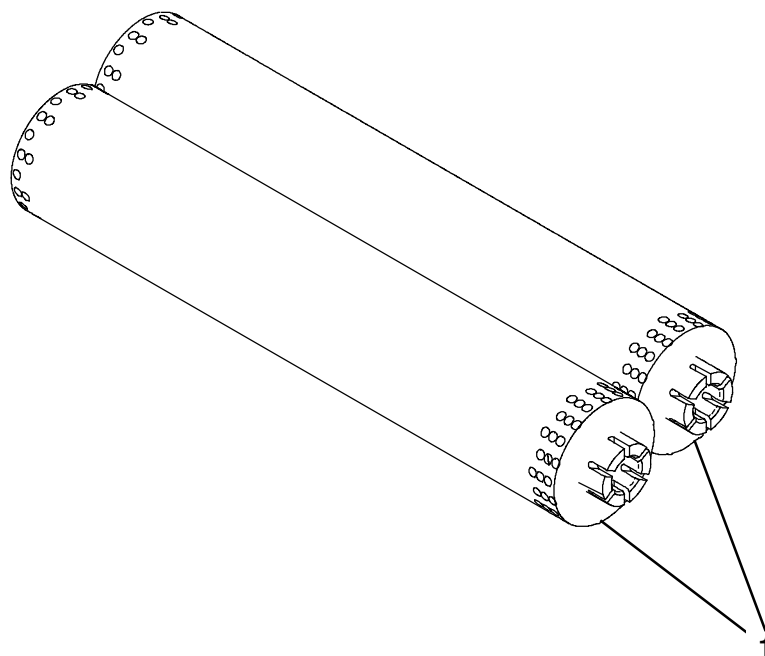
| | Ref. | Part No. | Serial Number | Description | Qty. |
|---|------|----------|---------------|--|------|
| ▽ | 1 | 1210136 | (00000000- |) Brush Assy, Disk, Scb, 30cm, Mag, Nyl | 2 |
| ▽ | 1 | 1213040 | (00000000- |) Brush Assy, Disk, Scb, 30cm, Mag, Pyp | 2 |
| ▽ | 1 | 1213041 | (00000000- |) Brush Assy, Disk, Scb, 30cm, Mag, Ab | 2 |
| ▲ | 2 | 1218392 | (00000000- |) Label, Safety, Magnet, Med | 1 |
| ▽ | 3 | 1209160 | (00000000- |) Driver Assy, Pad, 30cm, [Magnetic] | 2 |
| ▲ | 4 | 41579 | (00000000- |) Washer, Flat, 08, Ss | 3 |
| ▲ | 5 | 1212542 | (00000000- |) Screw, Pan, Phl, M4 X 0.70 X 12, Ni, Ss | 3 |
| ▲ | 6 | 1218392 | (00000000- |) Label, Safety, Magnet, Med | 1 |
| ▲ | 7 | 370095 | (00000000- |) Device, Centering, Clip On, Tl [Gf Pp] | 1 |
| | 8 | 385940 | (00000000- |) Pad, Polish, 12.0d, White [1pick=1pad] | 2 |
| | 8 | 385941 | (00000000- |) Pad, Buff, 12.0d, Red [1pick=1pad] | 2 |
| | 8 | 385942 | (00000000- |) Pad, Scb, 12.0d, Blu [1pick=1pad] | 2 |
| | 8 | 385943 | (00000000- |) Pad, Stripping, 12.0d, Brown[1pick=1pad] | 2 |
| | 8 | 1063334 | (00000000- |) Pad, Stripping, 12.0d [Hi- Prod] Blk | 2 |
| | 8 | 1051020 | (00000000- |) Pad, Surf Prep, 12.0d [Mar, 1pick=1pad] | 2 |

▽ ASSEMBLY

▲ INCLUDED IN ASSEMBLY

BRUSHES GROUP, 50CM CYLINDRICAL

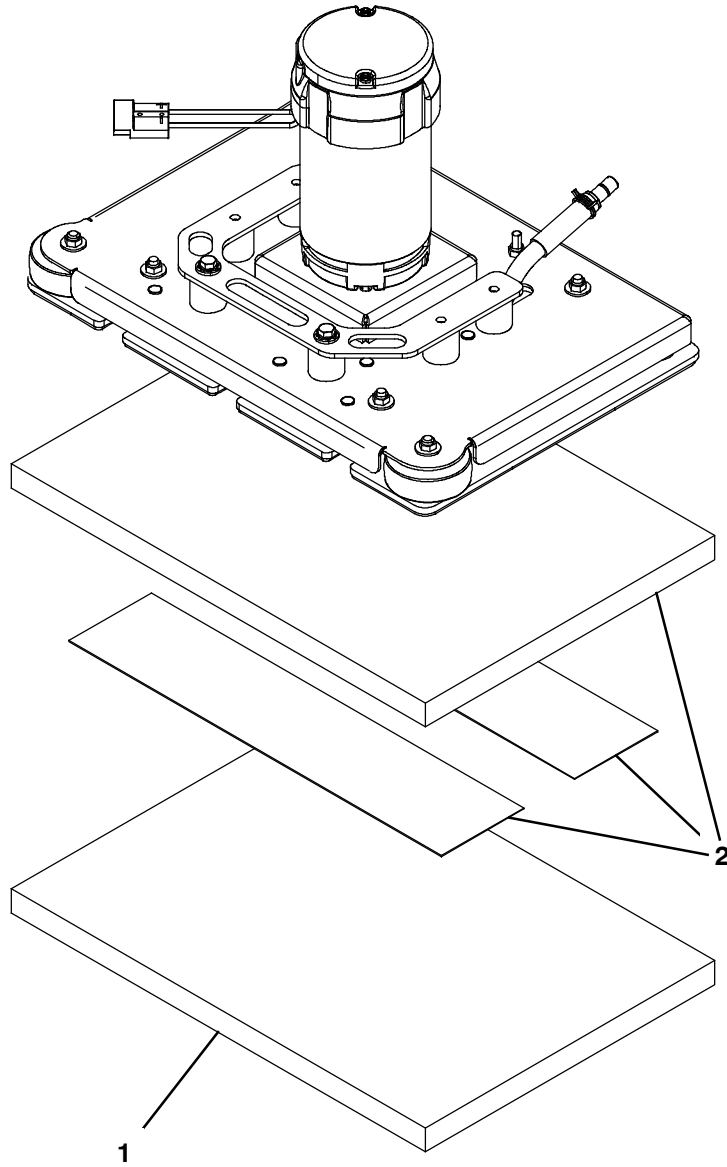
355333



| Ref. | Part No. | Serial Number | Description | Qty. |
|------|----------|---------------|------------------------------|------|
| 1 | 1209188 | (00000000- |) Brush, Scb, 21l, 20sr, Nyl | 2 |
| 1 | 1212762 | (00000000- |) Brush, Scb, 21l, 20sr, Pyp | 2 |

PAD GROUP, 50CM ORBITAL

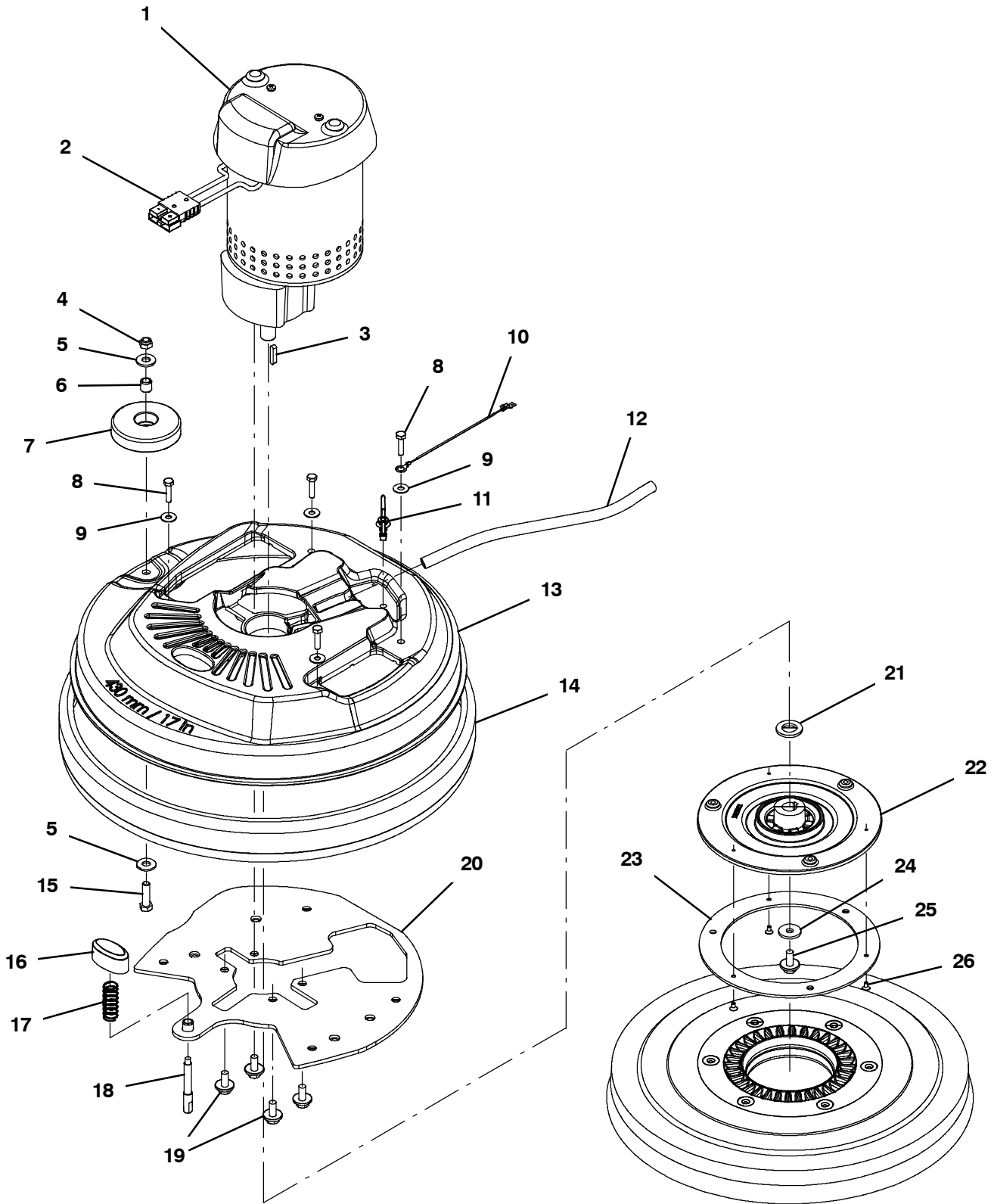
355334



| Ref. | Part No. | Serial Number | Description | Qty. |
|------|----------|---------------|--|------|
| 1 | 1205512 | (00000000- |) Pad, Polish, 20 X 14, White [1pick=1pc] | 1 |
| 1 | 1205513 | (00000000- |) Pad, Buff, 20 X 14, Red [1pick=1pc] | 1 |
| 1 | 1205514 | (00000000- |) Pad, Scb, 20 X 14, Blu [1pick=1pc] | 1 |
| 1 | 1205515 | (00000000- |) Pad, Surf Prep, 20 X 14[Mar, 1pick=1pad] | 1 |
| 2 | 1217830 | (00000000- |) Pad, Backer, 20 X 14 | 1 |

SCRUB HEAD GROUP, 43CM DISK, MAGNETIC HUB

355294



SCRUB HEAD GROUP, 43CM DISK, MAGNETIC HUB

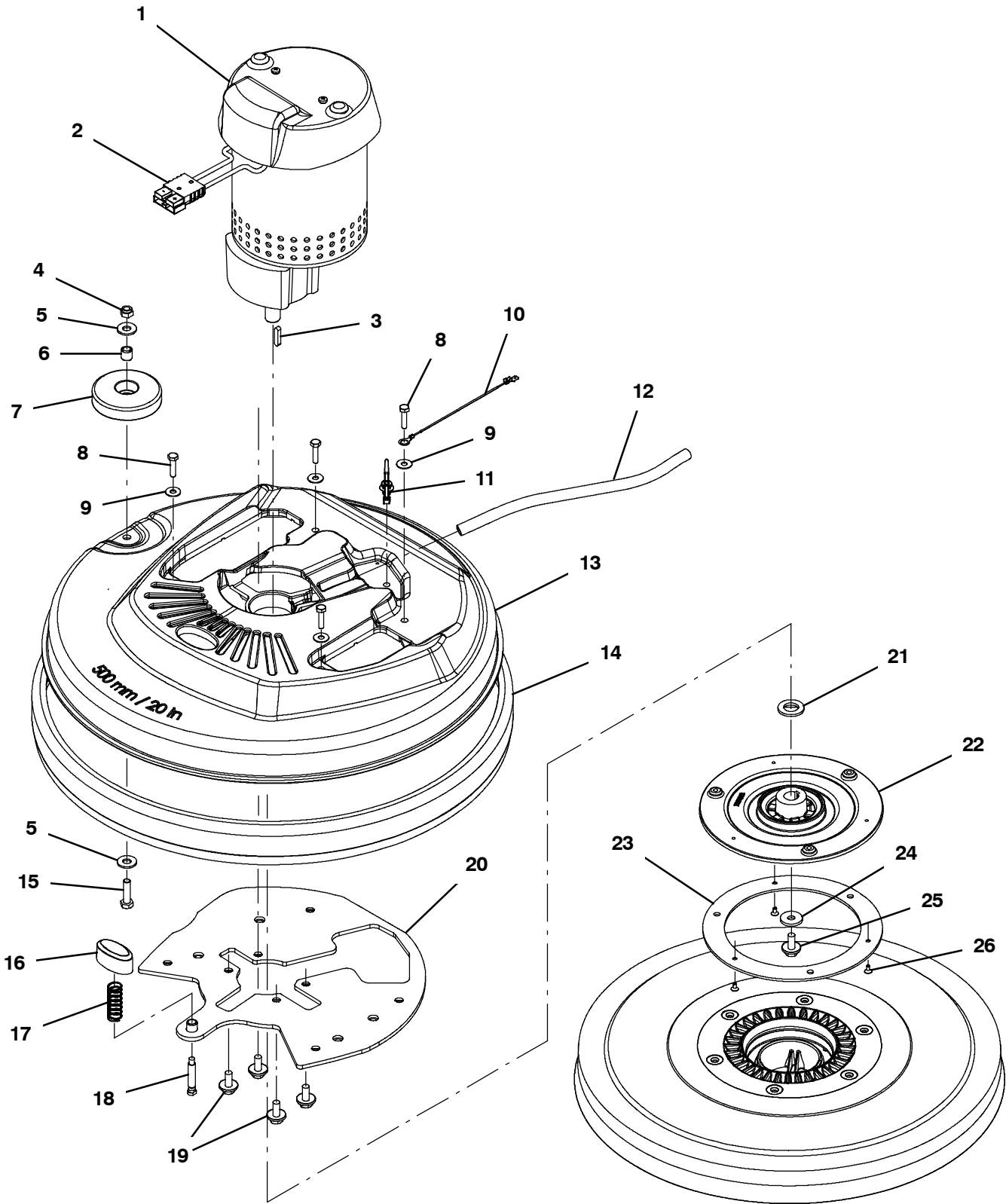
| | Ref. | Part No. | Serial Number | Description | Qty. |
|---|------|----------|---------------|--|------|
| ▽ | 1 | 1210703 | (00000000- |) Motor, Ele, 24vdc 0200rpm 1.00hp, 17mm | 1 |
| ▲ | | 222606 | (00000000- |) Vr, Brush Kit, Motor, Ele [lp] (4Pc) | 1 |
| ▲ | 2 | 49548 | (00000000- |) Connector, Anderson, 050a, Red | 1 |
| ▲ | 3 | 1014328 | (00000000- |) Key, Sq, 05mm X 05mm, 25mml | 1 |
| | 4 | 08713 | (00000000- |) Nut, Hex, Lock, M8 X 1.25, NI, Ss | 1 |
| | 5 | 01685 | (00000000- |) Washer, Flat, 0.38b 0.88d .08, Ss | 2 |
| | 6 | 222460 | (00000000- |) Sleeve, P/M, 0.32b 0.50d 0.5l [430ss] | 1 |
| | 7 | 1010560 | (00000000- |) Wheel, Bmpr, 80d X 25w, Non- Marking | 1 |
| | 8 | 1016005 | (00000000- |) Screw, Hex, M6 X 1.00 X 25, NI, Fl, Ss | 4 |
| | 9 | 01684 | (00000000- |) Washer, Flat, 0.27b 0.69d .05, Ss | 4 |
| | 10 | 1074344 | (00000000- |) Harness, Ele [Ring With .250m Tail] | 1 |
| | 11 | 1210807 | (00000000- |) Wire, Tie [W/.25" Fir Tree Clip] | 1 |
| | 12 | 9014145 | (00000000- |) Hose, Afmkt, Pe, .375id .50od, 05ft | 1 |
| | 13 | 1212324 | (00000000- |) Housing, Head, 43cm | 1 |
| | 14 | 1055019 | (00000000- |) Bumper, Head, 43cm, W/ Bristle Skirt, Im | 1 |
| | 15 | 1016399 | (00000000- |) Screw, Hex, M8 X 1.25 X 30, NI, Ss | 1 |
| | 16 | 1211242 | (00000000- |) Button, Plunger, Pad | 1 |
| | 17 | 1212785 | (00000000- |) Spring, Cmpr, .66od, .05wir, 1.75l, Ss | 1 |
| | 18 | 1211256 | (00000000- |) Pin, Stop, Long | 1 |
| | 19 | 1020341 | (00000000- |) Screw, Hex, M8 X 1.25 X 20, Ss, Sems | 4 |
| | 20 | 1210590 | (00000000- |) Plate Wldt, Head, Weighted | 1 |
| | 21 | 1022549 | (00000000- |) Spacer, Shaft, 17.15b 30.0d 3.0l, Ss | 1 |
| | 22 | 1212312 | (00000000- |) Hub, Drive, Magnetic [Machined] | 1 |
| | 23 | 1205043 | (00000000- |) Ring, Hub, Magnetic | 1 |
| | 24 | 1017218 | (00000000- |) Washer, Flat, 0.32b 1.00d .12, Ss | 1 |
| | 25 | 1020341 | (00000000- |) Screw, Hex, M8 X 1.25 X 20, Ss, Sems | 1 |
| | 26 | 630114 | (00000000- |) Screw, Flt, Phl, M4 X 0.70 X 8, 4.8 | 3 |

▽ ASSEMBLY

▲ INCLUDED IN ASSEMBLY

SCRUB HEAD GROUP, 50CM DISK, MAGNETIC HUB

355295



SCRUB HEAD GROUP, 50CM DISK, MAGNETIC HUB

| | Ref. | Part No. | Serial Number | Description | Qty. |
|---|------|----------|---------------|--|------|
| ▽ | 1 | 1210703 | (00000000- |) Motor, Ele, 24vdc 0200rpm 1.00hp, 17mm | 1 |
| ▲ | | 222605 | (00000000- |) Vr, Brush Kit, Motor, Ele [lp] (4Pc) | 1 |
| ▲ | 2 | 49548 | (00000000- |) Connector, Anderson, 050a, Red | 1 |
| ▲ | 3 | 1014328 | (00000000- |) Key, Sq, 05mm X 05mm, 25mml | 1 |
| | 4 | 08713 | (00000000- |) Nut, Hex, Lock, M8 X 1.25, NI, Ss | 1 |
| | 5 | 01685 | (00000000- |) Washer, Flat, 0.38b 0.88d .08, Ss | 2 |
| | 6 | 222460 | (00000000- |) Sleeve, P/M, 0.32b 0.50d 0.5l [430ss] | 1 |
| | 7 | 1010560 | (00000000- |) Wheel, Bmpr, 80d X 25w, Non- Marking | 1 |
| | 8 | 1016005 | (00000000- |) Screw, Hex, M6 X 1.00 X 25, NI, Fl, Ss | 4 |
| | 9 | 01684 | (00000000- |) Washer, Flat, 0.27b 0.69d .05, Ss | 4 |
| | 10 | 1074344 | (00000000- |) Harness, Ele [Ring With .250m Tail] | 1 |
| | 11 | 1210807 | (00000000- |) Wire, Tie [W/.25" Fir Tree Clip] | 1 |
| | 12 | 9014145 | (00000000- |) Hose, Afmkt, Pe, .375id .50od, 05ft | 1 |
| | 13 | 1208041 | (00000000- |) Housing, Head, 50cm | 1 |
| | 14 | 1055025 | (00000000- |) Bumper, Head, 50cm, W/ Bristle Skirt, Im | 1 |
| | 15 | 1016399 | (00000000- |) Screw, Hex, M8 X 1.25 X 30, NI, Ss | 1 |
| | 16 | 1211242 | (00000000- |) Button, Plunger, Pad | 1 |
| | 17 | 1212785 | (00000000- |) Spring, Cmpr, .66od, .05wir, 1.75l, Ss | 1 |
| | 18 | 1211256 | (00000000- |) Pin, Stop, Long | 1 |
| | 19 | 1020341 | (00000000- |) Screw, Hex, M8 X 1.25 X 20, Ss, Sems | 4 |
| | 20 | 1210590 | (00000000- |) Plate Wldt, Head, Weighted | 1 |
| | 21 | 1022549 | (00000000- |) Spacer, Shaft, 17.15b 30.0d 3.0l, Ss | 1 |
| | 22 | 1212312 | (00000000- |) Hub, Drive, Magnetic [Machined] | 1 |
| | 23 | 1205043 | (00000000- |) Ring, Hub, Magnetic | 1 |
| | 24 | 1017218 | (00000000- |) Washer, Flat, 0.32b 1.00d .12, Ss | 1 |
| | 25 | 1020341 | (00000000- |) Screw, Hex, M8 X 1.25 X 20, Ss, Sems | 1 |
| | 26 | 630114 | (00000000- |) Screw, Flt, Phl, M4 X 0.70 X 8, 4.8 | 3 |

▽ ASSEMBLY

▲ INCLUDED IN ASSEMBLY

SCRUB HEAD GROUP, 60CM DUAL DISK, MAGNETIC HUB

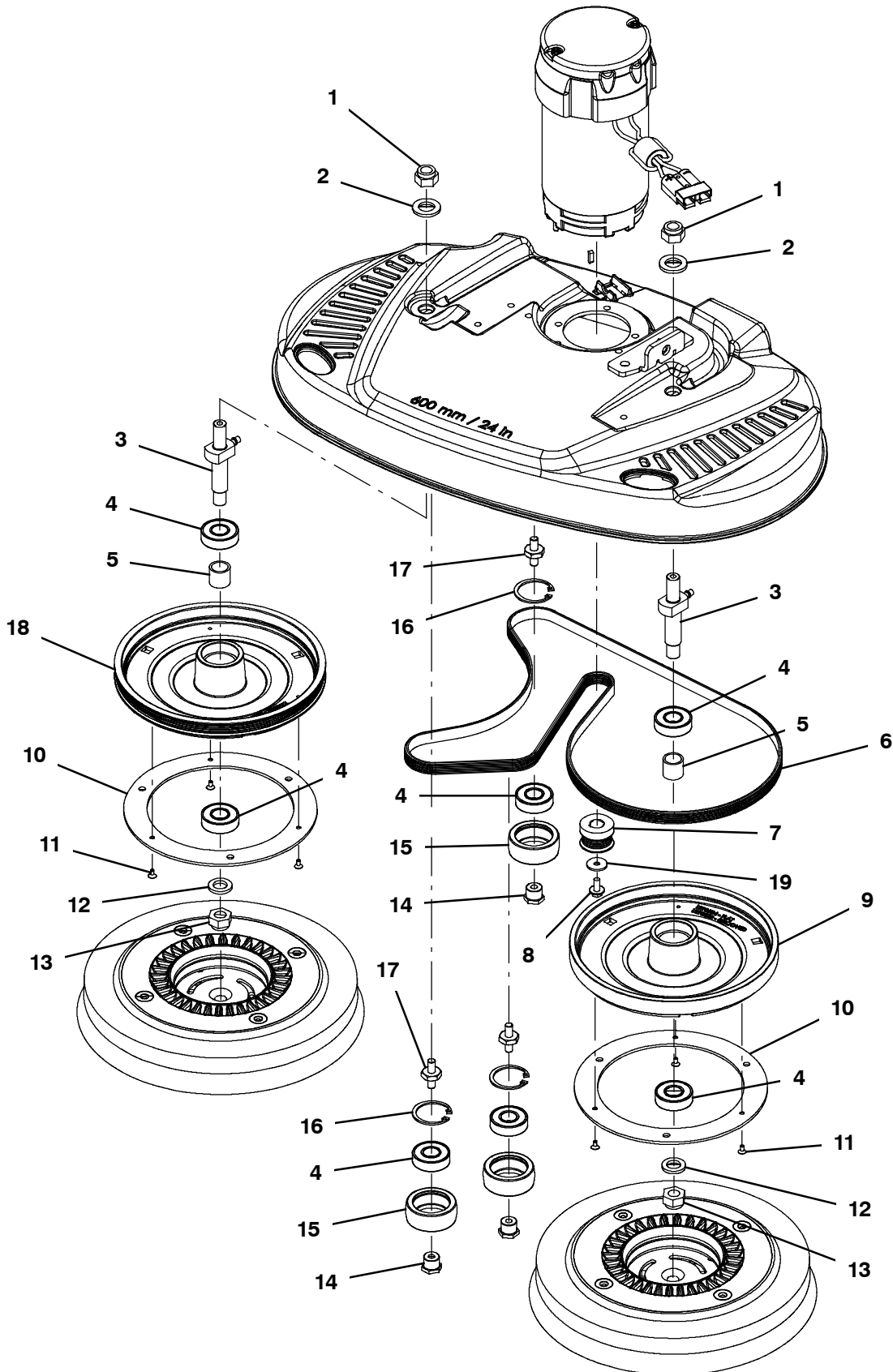
| | Ref. | Part No. | Serial Number | Description | Qty. |
|---|------|----------|---------------|--|------|
| ▽ | 1 | 1210212 | (00000000- |) Motor, 24vdc, 2000rpm, 7/8hp, Us | 1 |
| ▲ | | 1059370 | (00000000- |) Brush, Motor, Replmt [Bag Of 4] | 1 |
| ▲ | 2 | 49548 | (00000000- |) Connector, Anderson, 050a, Red | 1 |
| ▲ | 3 | 1217769 | (00000000- |) Key, Sq, 04mm X 04mm, 15mml | 1 |
| | 4 | 09011 | (00000000- |) Screw, Hex, M8 X 1.25 X 30, Ss | 1 |
| | 5 | 01685 | (00000000- |) Washer, Flat, 0.38b 0.88d .08, Ss | 1 |
| | 6 | 222460 | (00000000- |) Sleeve, P/M, 0.32b 0.50d 0.5l [430ss] | 1 |
| | 7 | 1010560 | (00000000- |) Wheel, Bmpr, 80d X 25w, Non- Marking | 1 |
| | 8 | 1020341 | (00000000- |) Screw, Hex, M8 X 1.25 X 20, Ss, Sems | 2 |
| | 9 | 1211506 | (00000000- |) Bracket, Rlr, Wall, Scb Head | 1 |
| | 10 | 08713 | (00000000- |) Nut, Hex, Lock, M8 X 1.25, Nl, Ss | 1 |
| | 11 | 1210807 | (00000000- |) Wire, Tie [W/.25" Fir Tree Clip] | 2 |
| | 12 | 130773 | (00000000- |) Tie, Cable, Nyl, 11.0l, .14w, 3.0 Max. D | 2 |
| | 13 | 1212807 | (00000000- |) Fitting, Plstc, Str, Qm08/Bm08 | 1 |
| | 14 | 607776 | (00000000- |) Clamp, Hose, Wir, .73 - .77, Silver | 1 |
| | 15 | 1216084 | (00000000- |) Manifold, Distribution, Water, 60dd [Vw] | 1 |
| | 16 | 1217752 | (00000000- |) Bracket, Belt Guide | 1 |
| | 17 | 1034731 | (00000000- |) Screw, Hex, M6 X 1.00 X 16, Sems, Ss | 10 |
| | 18 | 1211027 | (00000000- |) Housing, Head, 60cm [Machined] | 1 |
| | 19 | 1216346 | (00000000- |) Bracket Wldt, Guard, Splash, 60cm | 1 |
| | 20 | 1072656 | (00000000- |) Bumper, Head, 60cm, Bristle Skirt | 1 |
| | 21 | 1211907 | (00000000- |) Pin, Stop, Short | 2 |
| | 22 | 1212785 | (00000000- |) Spring, Cmpr, .66od, .05wir, 1.75l, Ss | 2 |
| | 23 | 1211242 | (00000000- |) Button, Plunger, Pad | 2 |

▽ ASSEMBLY

▲ INCLUDED IN ASSEMBLY

SCRUB HEAD GROUP, 60CM DUAL DISK, MAGNETIC HUB - CONT'D

355336

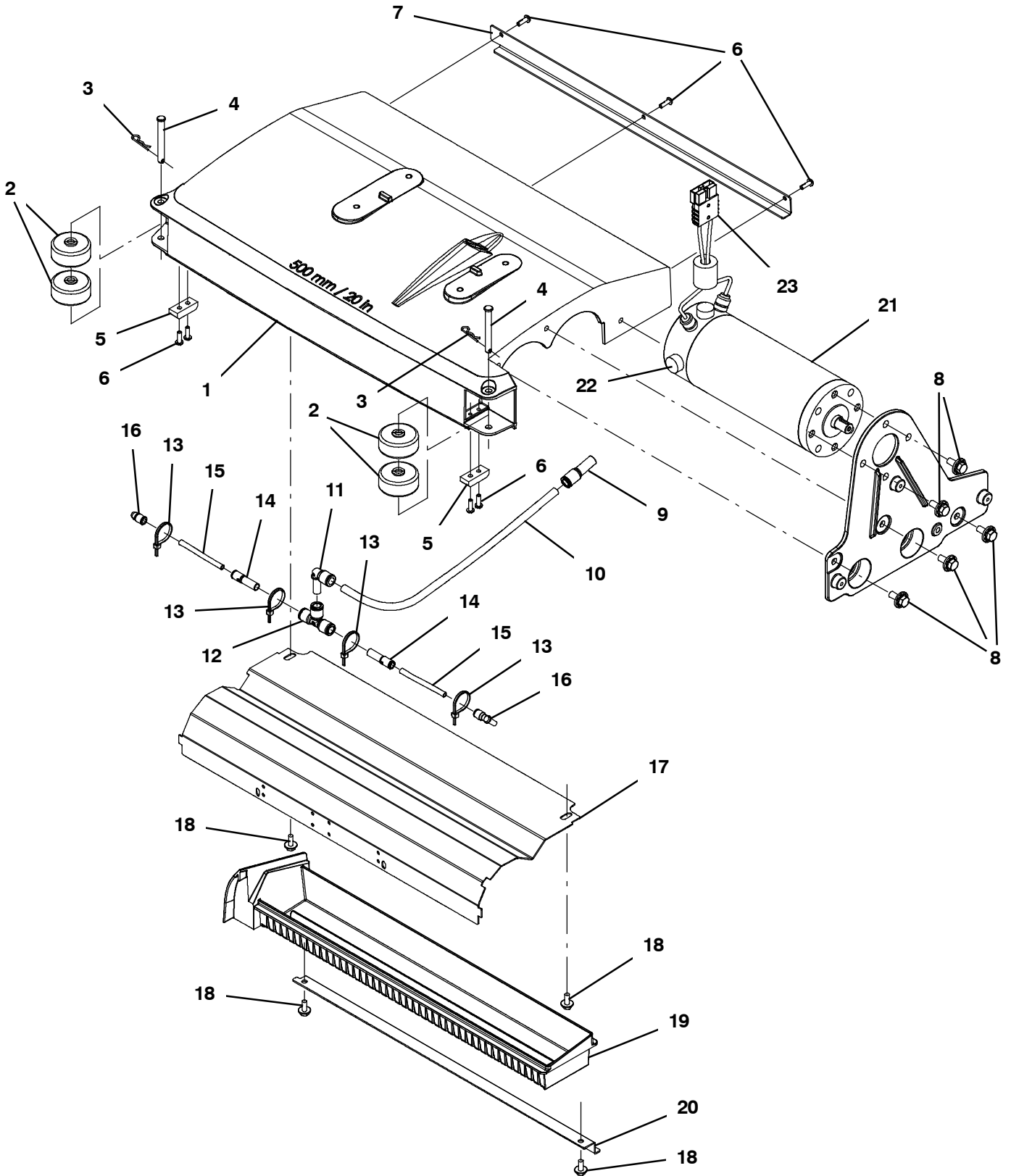


SCRUB HEAD GROUP, 60CM DUAL DISK, MAGNETIC HUB - CONT'D

| Ref. | Part No. | Serial Number | Description | Qty. |
|------|-----------|---------------|--|------|
| 1 | 41517 | (00000000- |) Nut, Hex, Lock, M14 X 2.00, NI | 2 |
| 2 | 1022549 | (00000000- |) Spacer, Shaft, 17.15b 30.0d 3.0l, Ss | 2 |
| 3 | 1214206 | (00000000- |) Shaft Wldt, Mtg, Pulley | 2 |
| 4 | 1211187 | (00000000- |) Bearing, Ball, 0.67b 1.57d 0.47w [6203] | 7 |
| 5 | 1011041 | (00000000- |) Tube, 0.69id 0.87od 00.8l, Stl, Pl | 2 |
| 6 | 1055305 | (00000000- |) Belt, Drive, 6pj, Ej139 [T3] | 1 |
| 7 | 1213927 | (00000000- |) Sheave, 06grv, 1.25pd 0.54b, Ss [Keyed] | 1 |
| 8 | 1034731 | (00000000- |) Screw, Hex, M6 X 1.00 X 16, Sems, Ss | 1 |
| 9 | 1210504 | (00000000- |) Hub, Drive, Magnetic, Flat, 60cm Dd | 1 |
| 10 | 1205043 | (00000000- |) Ring, Hub, Magnetic | 2 |
| 11 | 630114 | (00000000- |) Screw, Flt, Phl, M4 X 0.70 X 8, 4.8 | 6 |
| 12 | 382534 | (00000000- |) Washer, Flat, 0.59b 1.00d .12, Ss [409] | 2 |
| 13 | 41517 | (00000000- |) Nut, Hex, Lock, M14 X 2.00, NI | 2 |
| 14 | 1011008 | (00000000- |) Spacer, Brg, Idler | 3 |
| 15 | 1058514 | (00000000- |) Pulley, Idler, 55d X 21w[60cm Dual Disk] | 3 |
| 16 | 1013884 | (00000000- |) Ring, Retaining, Int, 40mm, Ss | 3 |
| 17 | 1211624 | (00000000- |) Stud, M8 X 1.25, Dbl End W/Hex, Ss | 3 |
| 18 | 1210503 | (00000000- |) Hub, Drive, Magnetic, Grooved, 60cm Dd | 1 |
| 19 | 019680127 | (00000000- |) Washer, Flat, 6.2mm Id X 22.0mm Od X 1.9 | 1 |

SCRUB HEAD GROUP, 50CM CYLINDRICAL

355297



SCRUB HEAD GROUP, 50CM CYLINDRICAL

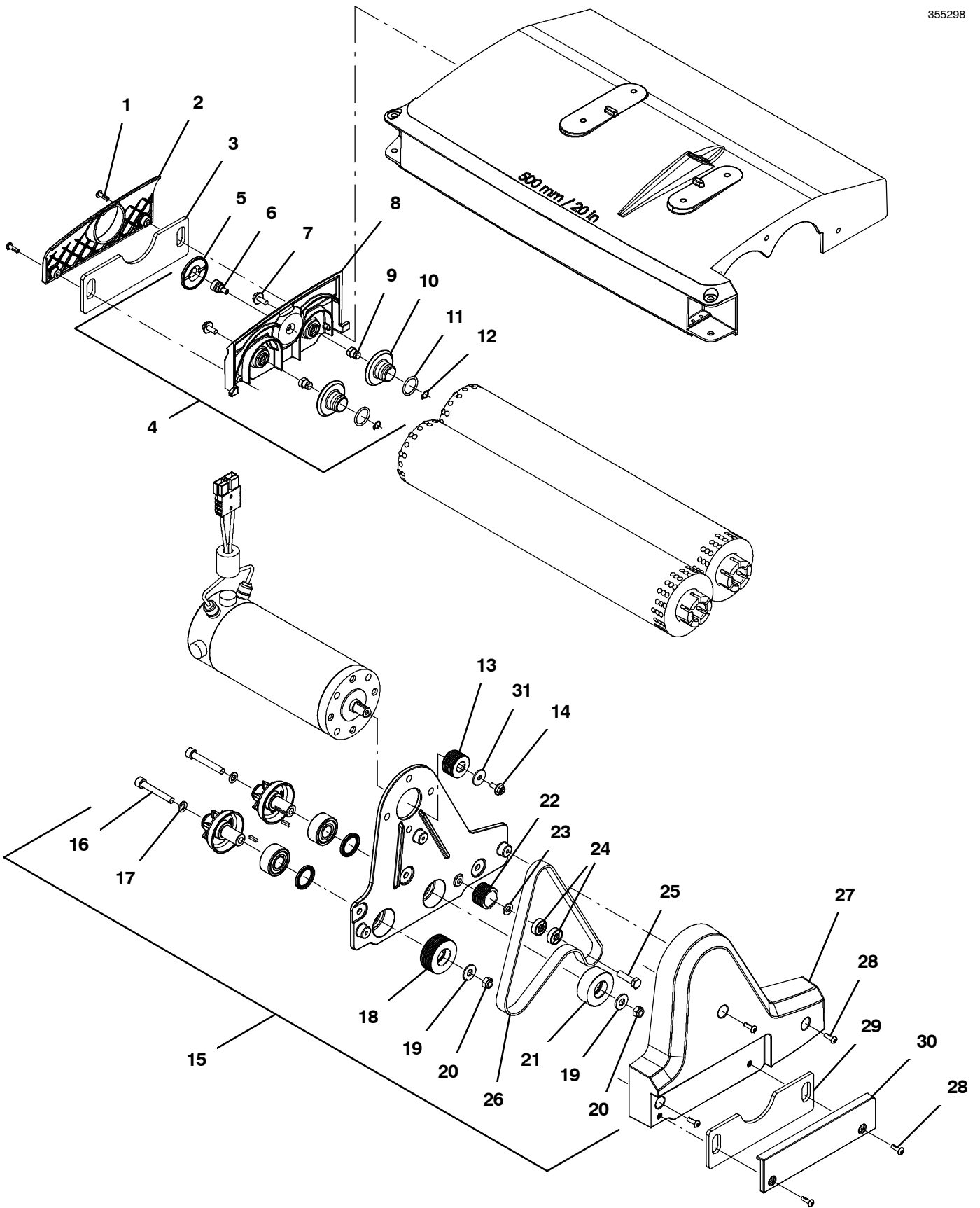
| Ref. | Part No. | Serial Number | Description | Qty. | |
|------|----------|---------------|--|---|---|
| 1 | 1212265 | (00000000- |) Housing, Brush, Dbl 50cm [Machined] | 1 | |
| 2 | 630477 | (00000000- |) Wheel, Pyu, 02.0d 0.38w, Gray | 4 | |
| 3 | 1216647 | (00000000- |) Pin, Cotter, Hair, 0.38d .054 Wir | 2 | |
| 4 | 391179 | (00000000- |) Pin, Clevis, 0.37d X 2.62l | 2 | |
| 5 | 1215675 | (00000000- |) Skid, Brush Housing | 2 | |
| 6 | 1205799 | (00000000- |) Screw, Btn, M5 X 0.8 X 16, 8.8, NI, Torx | 7 | |
| 7 | 1213708 | (00000000- |) Bracket, Tray, Debris | 1 | |
| 8 | 1020341 | (00000000- |) Screw, Hex, M8 X 1.25 X 20, Ss, Sems | 7 | |
| 9 | 1215218 | (00000000- |) Fitting, Plstc, Str, Qf06/Qm08 | 1 | |
| 10 | 1014986 | (00000000- |) Hose, Afmkt, Pvc, Clr, 0.25id, 02ft | 1 | |
| 11 | 1215186 | (00000000- |) Fitting, Plstc, E90, Qf06/Qm06 | 1 | |
| 12 | 1212573 | (00000000- |) Fitting, Plstc, Tee, Qf06/Qf06/Qf06 | 1 | |
| 13 | 130773 | (00000000- |) Tie, Cable, Nyl, 11.0l, .14w, 3.0 Max. D | 4 | |
| 14 | 1212934 | (00000000- |) Fitting, Plstc, Str, Qf04/Qm06 | 2 | |
| 15 | 160827 | (00000000- |) Hose, Pvc, Clr, 0.12id 0.25od 010.5l | 1 | |
| 16 | 1214339 | (00000000- |) Fitting, Plstc, E90, Qfo4/Qm04 | 2 | |
| 17 | 1210279 | (00000000- |) Panel, Wrap, Brush | 1 | |
| 18 | 1034731 | (00000000- |) Screw, Hex, M6 X 1.00 X 16, Sems, Ss | 4 | |
| 19 | 1213706 | (00000000- |) Tray, Debris, 500mm [lm] | 1 | |
| 20 | 1213707 | (00000000- |) Bracket, Tray, Debris | 1 | |
| ▽ | 21 | 1210202 | (00000000- |) Motor, Ele, 24vdc [Vw Cyl] | 1 |
| ▲ | | 1217769 | (00000000- |) Key, Sq, 04mm X 04mm, 15mml | 1 |
| ▲ | 22 | 1039817 | (00000000- |) Vr, Brush Kit, Motor, Ele (1 Pkg = 4 Pcs) | 1 |
| ▲ | 23 | 49548 | (00000000- |) Connector, Anderson, 050a, Red | 1 |

▽ ASSEMBLY

▲ INCLUDED IN ASSEMBLY

SCRUB HEAD GROUP, 50CM CYLINDRICAL - CONT'D

355298



SCRUB HEAD GROUP, 50CM CYLINDRICAL - CONT'D

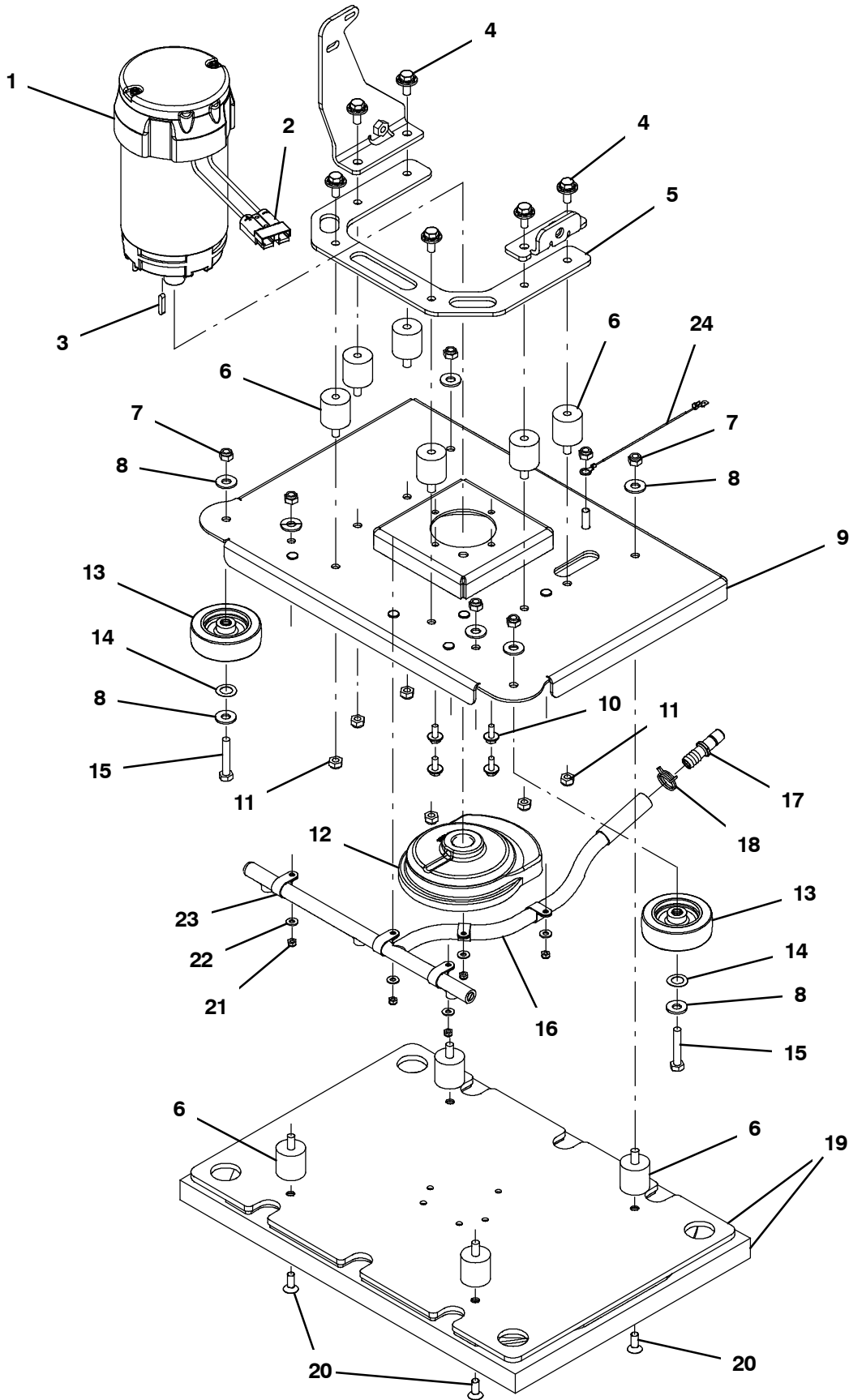
| Ref. | Part No. | Serial Number | Description | Qty. |
|------|----------|---------------|--|------|
| | 1 | 1205799 | (00000000-) Screw, Btn, M5 X 0.8 X 16, 8.8, NI, Torx | 2 |
| | 2 | 1216689 | (00000000-) Cover, Skirt, Cyl Door | 1 |
| | 3 | 1215666 | (00000000-) Skirt, Side, Cyl, Floating | 1 |
| ▽ | 4 | 9014168 | (00000000-) Door Assy, Brush | 1 |
| ▲ | 5 | 1215581 | (00000000-) Cap, Screw | 1 |
| ▲ | 6 | 1062149 | (00000000-) Knob, Rnd, 0.58d 0.50l, .25- 20x.50l Stud | 1 |
| ▲ | 7 | 1034731 | (00000000-) Screw, Hex, M6 X 1.00 X 16, Sems, Ss | 2 |
| ▲ | 8 | 1212250 | (00000000-) Door, Brush [Machined] | 1 |
| ▲ | 9 | 1030682 | (00000000-) Shaft, Idler Plug | 2 |
| ▲ | 10 | 1030680 | (00000000-) Hub, Idler, Brush | 2 |
| ▲ | 11 | 1042312 | (00000000-) Seal, Org, .103 X .862 Id, 118 | 2 |
| ▲ | 12 | 01543 | (00000000-) Ring, Retaining, Ext, 0.39d, Basic | 2 |
| | 13 | 1210116 | (00000000-) Sheave, Motor, 07grv 1.3pd 0.50b [Pj] | 1 |
| | 14 | 1034731 | (00000000-) Screw, Hex, M6 X 1.00 X 16, Sems, Ss | 1 |
| ▽ | 15 | 9014167 | (00000000-) Brkt Assy, Motor, Sgl Mount | 1 |
| ▲ | 16 | 1057476 | (00000000-) Screw, Soc, M8 X 1.25 X 55, Ss | 2 |
| ▲ | 17 | 1057482 | (00000000-) Washer, Flat, 0.33b 0.57d 0.06, Ss | 2 |
| ▲ | 18 | 1210204 | (00000000-) Sheave, Drive, Grvd 07grv, 2.0pd 0.67b [| 1 |
| ▲ | 19 | 01685 | (00000000-) Washer, Flat, 0.38b 0.88d .08, Ss | 2 |
| ▲ | 20 | 08713 | (00000000-) Nut, Hex, Lock, M8 X 1.25, NI, Ss | 2 |
| ▲ | 21 | 1210232 | (00000000-) Sheave, Drive, Smooth 2.0pd 0.67b | 1 |
| ▲ | 22 | 1210233 | (00000000-) Sheave, Idler, 07grv 1.2pd 0.87b [Pj] | 1 |
| ▲ | 23 | 1216289 | (00000000-) Spacer, Pulley, 2cyl, Pm [Vw] | 1 |
| ▲ | 24 | 1027651 | (00000000-) Bearing, Ball, 8mmb X 22mmd X 7mmw | 2 |
| ▲ | 25 | 1016399 | (00000000-) Screw, Hex, M8 X 1.25 X 30, NI, Ss | 1 |
| ▲ | 26 | 9014166 | (00000000-) Kit, Belt, Motor (Includes Installation Tool - Not Shown) | 1 |
| | 27 | 1209594 | (00000000-) Cover, Belt | 1 |
| | 28 | 1205799 | (00000000-) Screw, Btn, M5 X 0.8 X 16, 8.8, NI, Torx | 5 |
| | 29 | 1215666 | (00000000-) Skirt, Side, Cyl, Floating | 1 |
| | 30 | 1216728 | (00000000-) Cover, Skirt, Cyl Head | 1 |
| | 31 | 019680127 | (00000000-) Washer, Flat, 6.2mm Id X 22.0mm Od X 1.9 | 1 |

▽ ASSEMBLY

▲ INCLUDED IN ASSEMBLY

SCRUB HEAD GROUP, 50CM ORBITAL

355293



SCRUB HEAD GROUP, 50CM ORBITAL

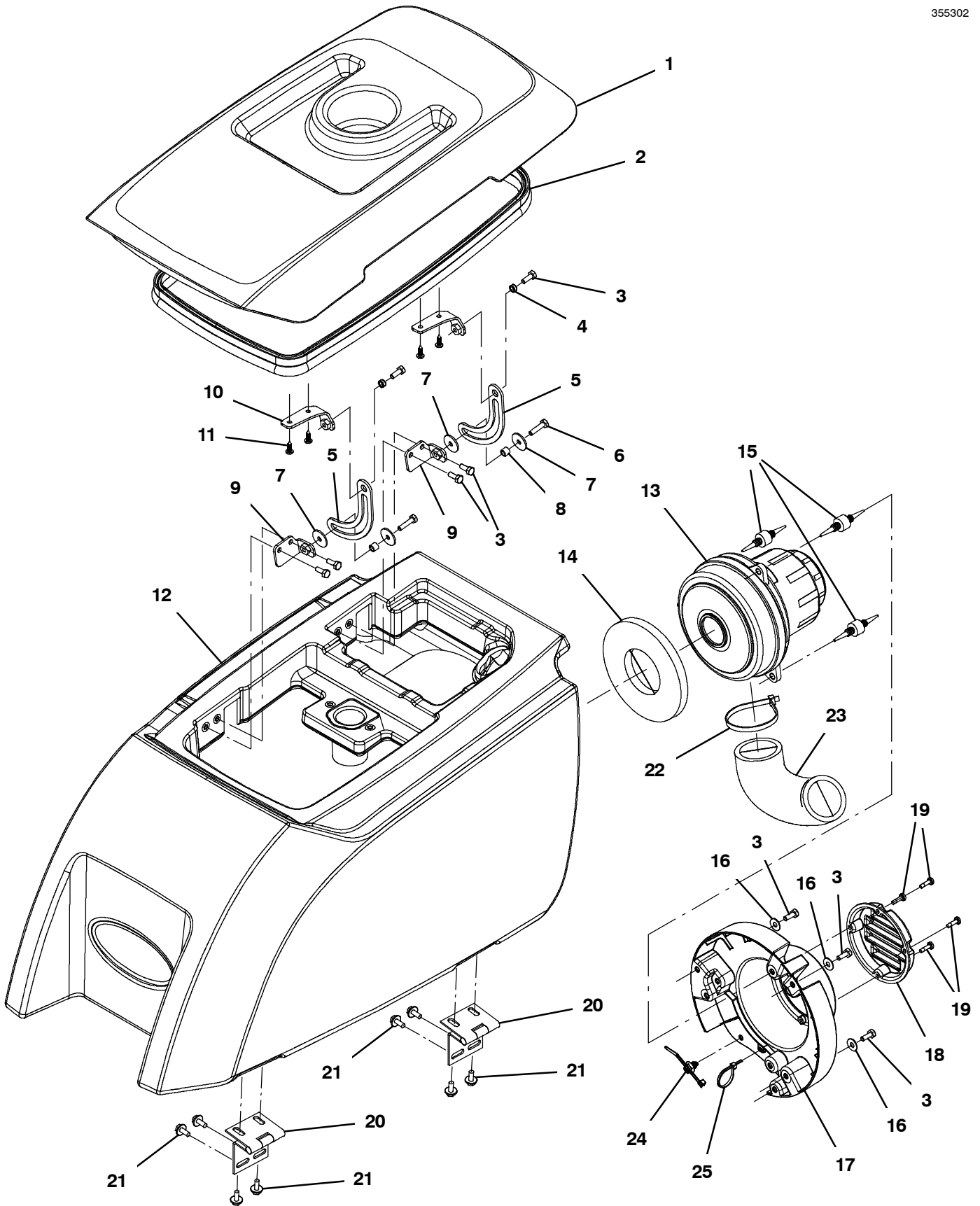
| Ref. | Part No. | Serial Number | Description | Qty. |
|------|----------|---------------|---|------|
| ▽ | 1 | 1212669 | (00000000-) Motor, Ele, 24vdc, 2200rpm, .6hp, 22mm | 1 |
| ▲ | | 1059370 | (00000000-) Brush, Motor, Replmt [Bag Of 4] | 1 |
| ▲ | 2 | 49548 | (00000000-) Connector, Anderson, 050a, Red | 1 |
| ▲ | 3 | 1014328 | (00000000-) Key, Sq, 05mm X 05mm, 25mml | 1 |
| | 4 | 1020341 | (00000000-) Screw, Hex, M8 X 1.25 X 20, Ss, Sems | 6 |
| | 5 | 1209745 | (00000000-) Plate, Mtg, Head [50cm Orb] | 1 |
| | 6 | 1212543 | (00000000-) Isolator, Neoprene, 1.25" X 1.25", M8 | 10 |
| | 7 | 08713 | (00000000-) Nut, Hex, Lock, M8 X 1.25, NI, Ss | 2 |
| | 8 | 01685 | (00000000-) Washer, Flat, 0.38b 0.88d .08, Ss | 8 |
| | 9 | 1212527 | (00000000-) Deck Wldt, Scrbr [Volga Wet] | 1 |
| | 10 | 1034731 | (00000000-) Screw, Hex, M6 X 1.00 X 16, Sems, Ss | 4 |
| | 11 | 08713 | (00000000-) Nut, Hex, Lock, M8 X 1.25, NI, Ss | 6 |
| | 12 | 9014175 | (00000000-) Kit, Eccentric Assy, [T300] (See Breakdowns) | 1 |
| | 13 | 1014918 | (00000000-) Wheel, 03.0d 0.88w 0.31b, W/ Bshg, Rbr | 2 |
| | 14 | 1210221 | (00000000-) Washer, Wave, .515b, .875d, .013, Ss | 2 |
| | 15 | 222505 | (00000000-) Screw, Hex, M8 X 1.25 X 45, Ss | 2 |
| | 16 | 1212468 | (00000000-) Manifold, Distribution, Water, Orb [Vw] | 1 |
| | 17 | 1212807 | (00000000-) Fitting, Plstc, Str, Qm08/Bm08 | 1 |
| | 18 | 607776 | (00000000-) Clamp, Hose, Wir, .73 - .77, Silver | 1 |
| | 19 | 9014189 | (00000000-) Kit, Afmkt, Pad Driver [T300] | 1 |
| | 20 | 1218926 | (00000000-) Screw, Flt, Soc, M8 X 1.25 X 14, Ss | 4 |
| | 21 | 09739 | (00000000-) Nut, Hex, Lock, M5 X 0.80, NI, Ss | 5 |
| | 22 | 01683 | (00000000-) Washer, Flat, 10, Ss | 5 |
| | 23 | 140916 | (00000000-) Clamp, Cable, Nyl, 0.62d, Nat | 5 |
| | 24 | 1074344 | (00000000-) Harness, Ele [Ring With .250m Tail] | 1 |

▽ ASSEMBLY

▲ INCLUDED IN ASSEMBLY

RECOVERY TANK GROUP, STANDARD MODEL

355302



RECOVERY TANK GROUP, STANDARD MODEL

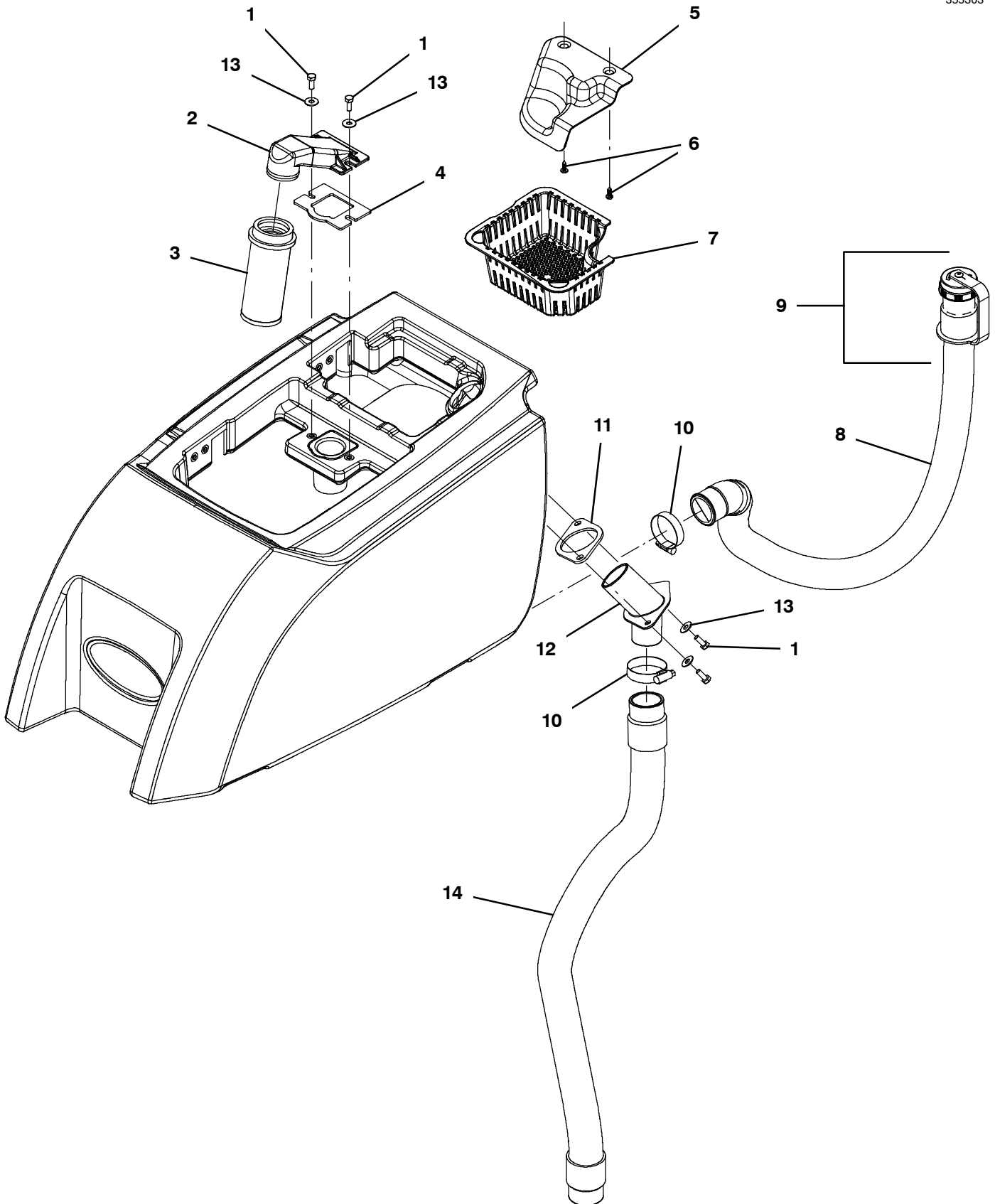
| Ref. | Part No. | Serial Number | Description | Qty. | |
|------|----------|---------------|---|---|---|
| 1 | 9014153 | (00000000- |) Kit, Cover, Recvy, [Na] | 1 | |
| 1 | 9014155 | (00000000- |) Kit, Cover, Recvy, [Jp] | 1 | |
| 2 | 1210472 | (00000000- |) Seal, Afmkt, Bulb, 0.50d .13grip, 05ft | 1 | |
| 3 | 11329 | (00000000- |) Screw, Hex, M6 X 1.00 X 16, NI, Ss | 9 | |
| 4 | 80491 | (00000000- |) Sleeve, P/M, 0.25b 0.38d 0.2l [430ss] | 2 | |
| 5 | 1210250 | (00000000- |) Plate, Slide, Hinge | 2 | |
| 6 | 1016005 | (00000000- |) Screw, Hex, M6 X 1.00 X 25, NI, FI, Ss | 2 | |
| 7 | 140003 | (00000000- |) Washer, Flat, 0.25b 1.00d .06, Ss, Fendr | 4 | |
| 8 | 140154 | (00000000- |) Sleeve, P/M, 0.25b 0.38d 0.3l, PI | 2 | |
| 9 | 1210471 | (00000000- |) Bracket Wldt, Hinge, Fixed | 2 | |
| 10 | 1210469 | (00000000- |) Bracket Wldt, Hinge | 2 | |
| 11 | 1018155 | (00000000- |) Screw, Pan, Phl, M5 X 0.80 X 16, Tcut,Ss | 4 | |
| 12 | 9014150 | (00000000- |) Kit, Tank, Recvy, W/Labels [T300] | 1 | |
| ▽ | 13 | 1202880 | (00000000- |) Fan, Vacuum, 6.6d, 024vdc, 2 Stage | 1 |
| ▲ | | 1206774 | (00000000- |) Vr, Brush Kit, Motor, Fan (1 Pkg = 2 Pcs) | 1 |
| 14 | 100038 | (00000000- |) Gasket, .50, 02.63id 05.75od, Adh [Epdm] | 1 | |
| 15 | 1062016 | (00000000- |) Isolator, Vib, .75d | 3 | |
| 16 | 01684 | (00000000- |) Washer, Flat, 0.27b 0.69d .05, Ss | 3 | |
| 17 | 1207368 | (00000000- |) Mount, Vacfan, 5.7/6.6 | 1 | |
| 18 | 1209342 | (00000000- |) Cover, Inlet, Vac, Vented (Sound Kit Option) | 1 | |
| 19 | 1043573 | (00000000- |) Screw, #10- 14 X 0.675, Spl[Shcs,Selftap] (Sound Kit Option) | 4 | |
| 20 | 1209466 | (00000000- |) Hinge, 6mm Pin 2.5 73.5mmw 60.0mml, Bent | 2 | |
| 21 | 1034731 | (00000000- |) Screw, Hex, M6 X 1.00 X 16, Sems, Ss | 8 | |
| 22 | 130773 | (00000000- |) Tie, Cable, Nyl, 11.0l, .14w, 3.0 Max. D | 2 | |
| 23 | 1068577 | (00000000- |) Muffler, Exhaust, Vacfan, 150mml [T2/T3] | 1 | |
| 24 | 1210807 | (00000000- |) Wire, Tie [W/.25" Fir Tree Clip] | 1 | |
| 25 | 130773 | (00000000- |) Tie, Cable, Nyl, 11.0l, .14w, 3.0 Max. D | 1 | |

▽ ASSEMBLY

▲ INCLUDED IN ASSEMBLY

RECOVERY TANK FILTER AND HOSE GROUP, SCREW CAP

355303



RECOVERY TANK FILTER AND HOSE GROUP, SCREW CAP

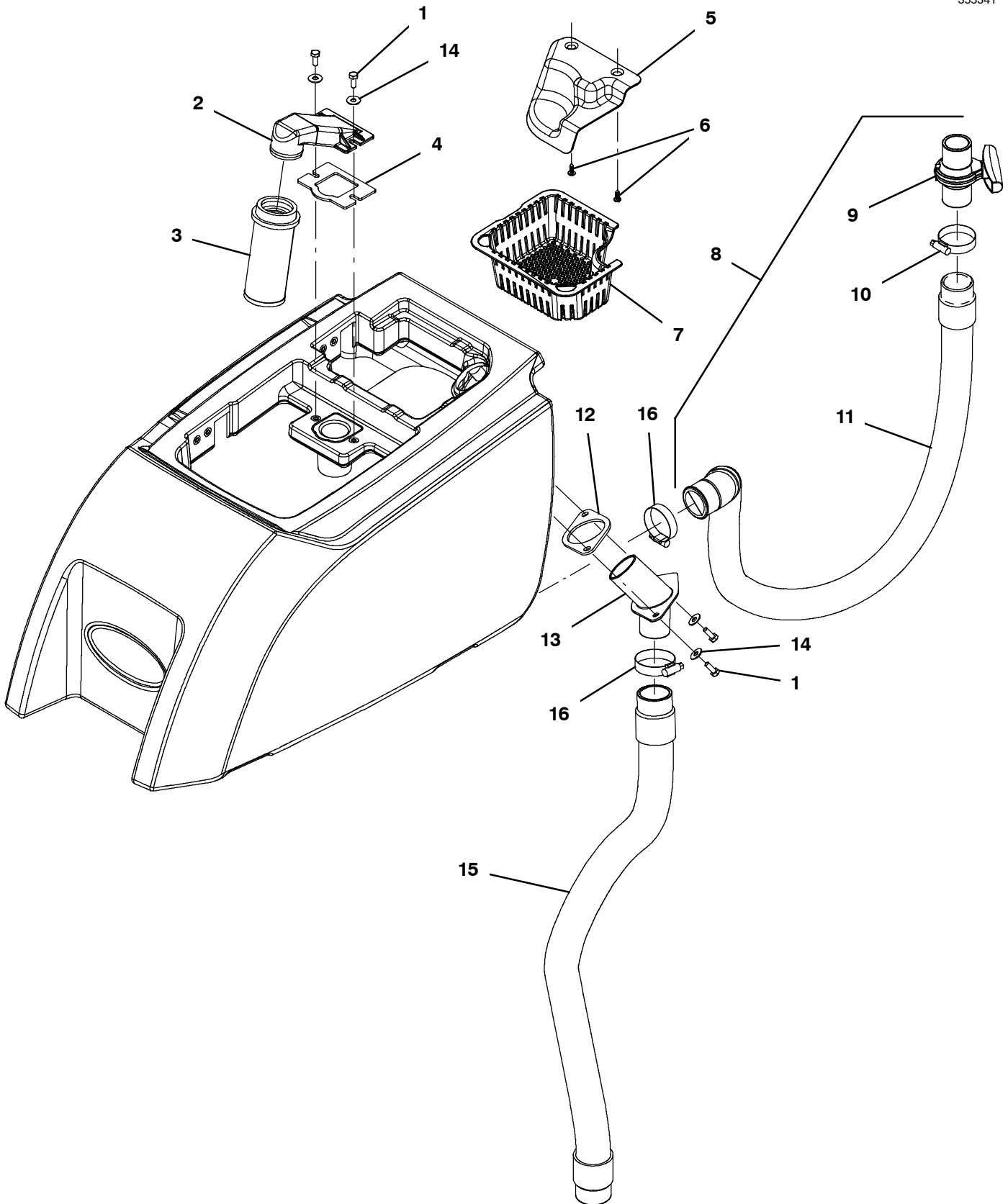
| Ref. | Part No. | Serial Number | Description | Qty. | |
|------|----------|---------------|---|--|---|
| 1 | 11329 | (00000000- |) Screw, Hex, M6 X 1.00 X 16, NI, Ss | 4 | |
| 2 | 1011777 | (00000000- |) Mount, Float, Mold | 1 | |
| 3 | 630052 | (00000000- |) Float, Shut- Off, (2)Ball, 1.75d | 1 | |
| 4 | 1013628 | (00000000- |) Gasket, Mtg, Float, .125th, Neo, Adh | 1 | |
| 5 | 1210214 | (00000000- |) Deflector, Water, Recvy | 1 | |
| 6 | 1018155 | (00000000- |) Screw, Pan, Phl, M5 X 0.80 X 16, Tcut,Ss | 2 | |
| 7 | 1207357 | (00000000- |) Tray, Debris, Tank, Recvy [T300] | 1 | |
| ▽ | 8 | 1213008 | (00000000- |) Hose Assy, Drain, 1.5d 025l 1.5/Cap [Pu] | 1 |
| ▲ | 9 | 1219134 | (00000000- |) Cap, Drain Assy [Gray] | 1 |
| ▽ | 8 | 1213010 | (00000000- |) Hose Assy, Drain, 1.5d 017l 1.5/Cap[Pvc] | 1 |
| ▲ | 9 | 1218955 | (00000000- |) Cap, Drain Assy [Black] | 1 |
| 10 | 11531 | (00000000- |) Clamp, Hose, Wormdrive, 1.06- 2.00d, .56w | 2 | |
| 11 | 1037106 | (00000000- |) Gasket, Adapter, Hose .13, Neo | 1 | |
| 12 | 1207196 | (00000000- |) Tube, Hose, Adapter, 1.5d [T300] | 1 | |
| 13 | 01684 | (00000000- |) Washer, Flat, 0.27b 0.69d .05, Ss | 4 | |
| 14 | 1204663 | (00000000- |) Hose Assy, W/2cuff,1.5d 026l 1.5/1.5[Pu] | 1 | |
| 14 | 1211220 | (00000000- |) Hose Assy,W/2cuff,1.5d 022l 1.5/1.5[Pvc] | 1 | |

▽ ASSEMBLY

▲ INCLUDED IN ASSEMBLY

RECOVERY TANK FILTER AND HOSE GROUP, CONTROL VALVE

355341



RECOVERY TANK FILTER AND HOSE GROUP, CONTROL VALVE

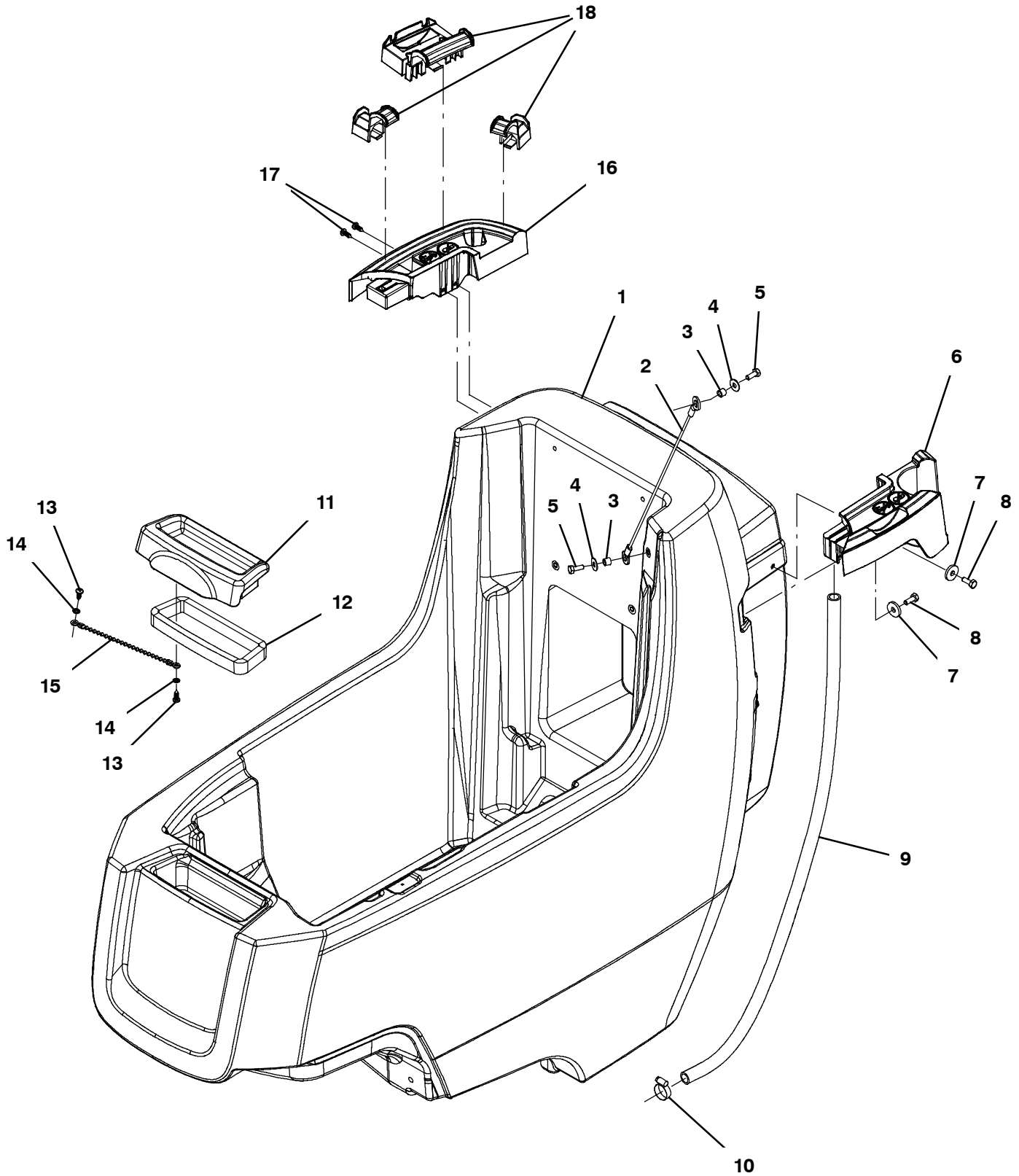
| Ref. | Part No. | Serial Number | Description | Qty. | |
|------|----------|---------------|--|---|---|
| 1 | 11329 | (00000000- |) Screw, Hex, M6 X 1.00 X 16, NI, Ss | 4 | |
| 2 | 1011777 | (00000000- |) Mount, Float, Mold | 1 | |
| 3 | 630052 | (00000000- |) Float, Shut- Off, (2)Ball, 1.75d | 1 | |
| 4 | 1013628 | (00000000- |) Gasket, Mtg, Float, .125th, Neo, Adh | 1 | |
| 5 | 1210214 | (00000000- |) Deflector, Water, Recvy | 1 | |
| 6 | 1018155 | (00000000- |) Screw, Pan, Phl, M5 X 0.80 X 16, Tcut,Ss | 2 | |
| 7 | 1207357 | (00000000- |) Tray, Debris, Tank, Recvy [T300] | 1 | |
| ▽ | 8 | 9014171 | (00000000- |) Hose Assy, With Valve | 1 |
| ▲ | 9 | 1051986 | (00000000- |) Valve, Ball, 2way, 1.0id Pvc, W/Handle | 1 |
| ▲ | 10 | 11531 | (00000000- |) Clamp, Hose, Wormdrive, 1.06- 2.00d, .56w | 1 |
| ▲ | 11 | 1204663 | (00000000- |) Hose Assy, W/2cuff,1.5d 026l 1.5/1.5[Pu] | 1 |
| | 12 | 1037106 | (00000000- |) Gasket, Adapter, Hose .13, Neo | 1 |
| | 13 | 1207196 | (00000000- |) Tube, Hose, Adapter, 1.5d [T300] | 1 |
| | 14 | 01684 | (00000000- |) Washer, Flat, 0.27b 0.69d .05, Ss | 4 |
| | 15 | 1204663 | (00000000- |) Hose Assy, W/2cuff,1.5d 026l 1.5/1.5[Pu] | 1 |
| | 16 | 11531 | (00000000- |) Clamp, Hose, Wormdrive, 1.06- 2.00d, .56w | 2 |

▽ ASSEMBLY

▲ INCLUDED IN ASSEMBLY

SOLUTION TANK GROUP

355304

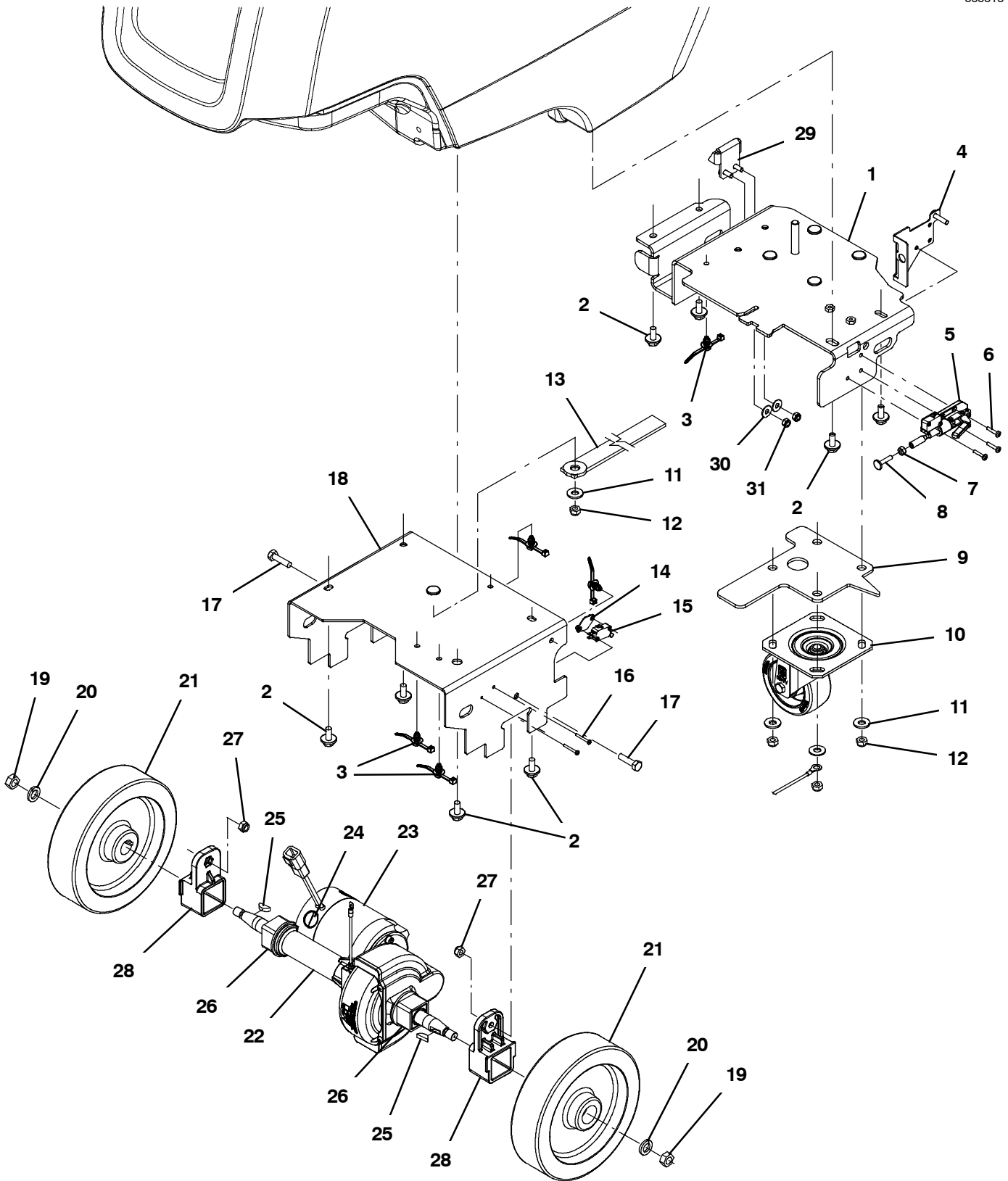


SOLUTION TANK GROUP

| Ref. | Part No. | Serial Number | Description | Qty. |
|------|----------|---------------|---|------|
| 1 | 9014156 | (00000000- |) Kit, Tank, Soltn, [T300/T300e] | 1 |
| 2 | 391368 | (00000000- |) Cable, Glv .09d 016.5l .38eye /.38eye | 1 |
| 3 | 140154 | (00000000- |) Sleeve, P/M, 0.25b 0.38d 0.3l, PI | 2 |
| 4 | 01684 | (00000000- |) Washer, Flat, 0.27b 0.69d .05, Ss | 2 |
| 5 | 11329 | (00000000- |) Screw, Hex, M6 X 1.00 X 16, NI, Ss | 2 |
| 6 | 1214264 | (00000000- |) Tray, Accssry, Lh, 16mm Screw | 1 |
| 7 | 140053 | (00000000- |) Washer, Flat, 0.28b 0.88d .12, Ss | 2 |
| 8 | 11329 | (00000000- |) Screw, Hex, M6 X 1.00 X 16, NI, Ss | 2 |
| 9 | 20778 | (00000000- |) Hose, Pvc, Clr, 0.50id 0.69od 030.0l | 1 |
| 10 | 54333 | (00000000- |) Clamp, Hose, Wormdrive, 0.31- 0.88d, .31w | 1 |
| 11 | 9014158 | (00000000- |) Kit, Cover, Fill, Front, W/ Ech20 [Na/Ce | 1 |
| 12 | 1046428 | (00000000- |) Seal, Afmkt, Rbr, Clsd, Adh, 02ft | 1 |
| 13 | 1018155 | (00000000- |) Screw, Pan, Phl, M5 X 0.80 X 16, Tcut,Ss | 2 |
| 14 | 07514 | (00000000- |) Washer, Lock, Int, 10, Ss | 2 |
| 15 | 621443 | (00000000- |) Chain, Ball, 10, 0157mml, Ss | 1 |
| 16 | 1214249 | (00000000- |) Tray, Accssry, Rh, 16mm Screw | 1 |
| 17 | 1018155 | (00000000- |) Screw, Pan, Phl, M5 X 0.80 X 16, Tcut,Ss | 2 |
| 18 | 9013845 | (00000000- |) Clip Kit, Rail, [T300/T300e/Ss300] (Accessory Option) | 1 |

FRAME GROUP, PROPEL MODEL

355318



FRAME GROUP, PROPEL MODEL

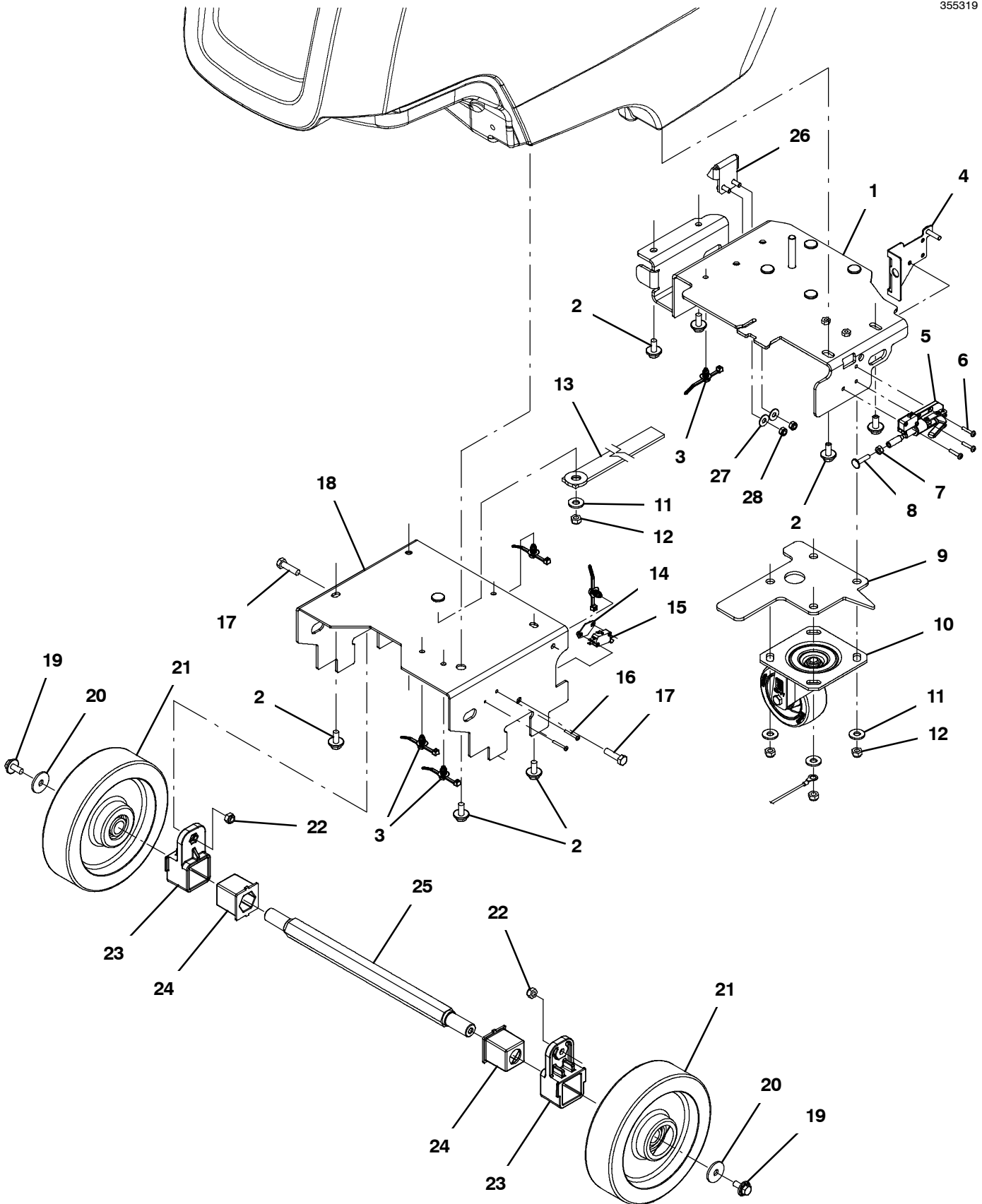
| Ref. | Part No. | Serial Number | Description | Qty. | |
|------|----------|---------------|--|--|---|
| 1 | 1208498 | (00000000- |) Frame Wldt, Rear | 1 | |
| 2 | 1020341 | (00000000- |) Screw, Hex, M8 X 1.25 X 20, Ss, Sems | 8 | |
| 3 | 1210807 | (00000000- |) Wire, Tie [W/.25" Fir Tree Clip] | 5 | |
| 4 | 1211230 | (00000000- |) Plate Wldt, Brake | 1 | |
| 5 | 1209983 | (00000000- |) Clamp, Brake, Parking | 1 | |
| 6 | 12323 | (00000000- |) Screw, Pan, Phl, M4 X 0.70 X 20, Ss | 3 | |
| 7 | 07785 | (00000000- |) Nut, Hex, Std, M6 X 1.00, Ss | 1 | |
| 8 | 1017416 | (00000000- |) Screw, Weld, M6 X 1.00 X 25, Thru, Ss | 1 | |
| 9 | 1215093 | (00000000- |) Spacer, Caster | 1 | |
| 10 | 1212422 | (00000000- |) Caster, Swivel [Wicke 224051] | 1 | |
| 11 | 01685 | (00000000- |) Washer, Flat, 0.38b 0.88d .08, Ss | 5 | |
| 12 | 08713 | (00000000- |) Nut, Hex, Lock, M8 X 1.25, NI, Ss | 5 | |
| 13 | 71579 | (00000000- |) Strap, Static, W/Grommet, .19 1.1w 25.0l | 1 | |
| 14 | 1013705 | (00000000- |) Plate, Thread, Switch, M3 Nut, 96hr PI | 1 | |
| 15 | 1215716 | (00000000- |) Switch, 0.1a, Spdt[Micro, Gold Contacts] | 1 | |
| 16 | 33933 | (00000000- |) Screw, Pan, Phl, M3 X 0.50 X 25, Ss | 2 | |
| 17 | 09011 | (00000000- |) Screw, Hex, M8 X 1.25 X 30, Ss | 2 | |
| 18 | 1211968 | (00000000- |) Frame Wldt, Front | 1 | |
| 19 | 09741 | (00000000- |) Nut, Hex, Lock, M12 X 1.75, NI, Ss | 2 | |
| 20 | 140058 | (00000000- |) Washer, Flat, 0.54b 0.88d .06, Ss [Wand] | 2 | |
| 21 | 1214595 | (00000000- |) Wheel, Scrbr, 8.00d, W/ Taper [Hi Trac] | 2 | |
| ▽ | 22 | 1209779 | (00000000- |) Transaxle, Ele, 24vdc, 112rpm [Asi] | 1 |
| ▲ | | 1017782 | (00000000- |) Coupling Kit, Transaxle, Replmt [11057] | 1 |
| ▲▽ | 23 | 1216386 | (00000000- |) Motor, Transaxle, 24vdc, Replmt [UI, Ce] | 1 |
| ▲▲ | 24 | 1212351 | (00000000- |) Brush Kit, Carbon, Transaxle, UI (1 Kit = 4 Pcs) | 1 |
| ▲ | 25 | 1021167 | (00000000- |) Key, Woodruff, 5mm | 2 |
| ▲ | 26 | 612880 | (00000000- |) Joint, Transaxle, Replmt | 2 |
| | 27 | 08713 | (00000000- |) Nut, Hex, Lock, M8 X 1.25, NI, Ss | 2 |
| | 28 | 1028292 | (00000000- |) Adapter, Mtg, Axle, Alm [T3] | 2 |
| | 29 | 1013946 | (00000000- |) Bracket, Locking, Pedal, Foot | 1 |
| | 30 | 01684 | (00000000- |) Washer, Flat, 0.27b 0.69d .05, Ss | 2 |
| | 31 | 08712 | (00000000- |) Nut, Hex, Lock, M6 X 1.00, NI, Ss | 2 |
| | N/S | 1073678 | (00000000- |) Harness, Main, Ele [Vw, Premium, Propel] | 1 |
| | N/S | 1073592 | (00000000- |) Harness, Ele [Vw, Op.Sta, Propel] | 1 |

▽ ASSEMBLY

▲ INCLUDED IN ASSEMBLY

FRAME GROUP, PUSH MODEL

355319

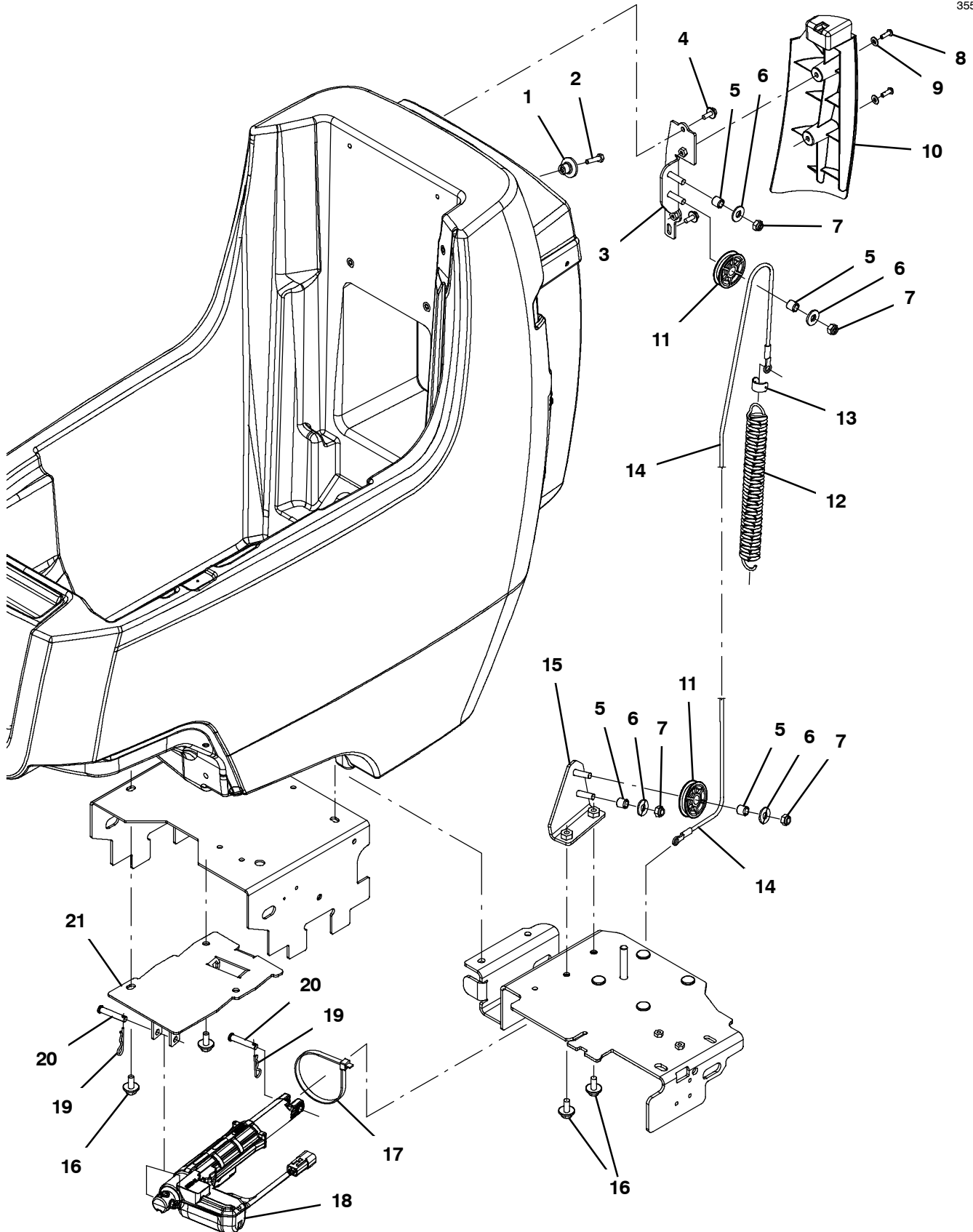


FRAME GROUP, PUSH MODEL

| Ref. | Part No. | Serial Number | Description | Qty. |
|------|----------|---------------|--|------|
| 1 | 1208498 | (00000000- |) Frame Wldt, Rear | 1 |
| 2 | 1020341 | (00000000- |) Screw, Hex, M8 X 1.25 X 20, Ss, Sems | 8 |
| 3 | 1210807 | (00000000- |) Wire, Tie [W/.25" Fir Tree Clip] | 5 |
| 4 | 1211230 | (00000000- |) Plate Wldt, Brake (Brake Option) | 1 |
| 5 | 1209983 | (00000000- |) Clamp, Brake, Parking (Brake Option) | 1 |
| 6 | 12323 | (00000000- |) Screw, Pan, Phl, M4 X 0.70 X 20, Ss (Brake Option) | 3 |
| 7 | 07785 | (00000000- |) Nut, Hex, Std, M6 X 1.00, Ss (Brake Option) | 1 |
| 8 | 1017416 | (00000000- |) Screw, Weld, M6 X 1.00 X 25, Thru, Ss (Brake Option) | 1 |
| 9 | 1215093 | (00000000- |) Spacer, Caster | 1 |
| 10 | 1212422 | (00000000- |) Caster, Swivel [Wicke 224051] | 1 |
| 11 | 01685 | (00000000- |) Washer, Flat, 0.38b 0.88d .08, Ss | 5 |
| 12 | 08713 | (00000000- |) Nut, Hex, Lock, M8 X 1.25, NI, Ss | 5 |
| 13 | 71579 | (00000000- |) Strap, Static, W/Grommet, .19 1.1w 25.0l | 1 |
| 14 | 1013705 | (00000000- |) Plate, Thread, Switch, M3 Nut, 96hr PI | 1 |
| 15 | 1215716 | (00000000- |) Switch, 0.1a, Spdt[Micro, Gold Contacts] | 1 |
| 16 | 33933 | (00000000- |) Screw, Pan, Phl, M3 X 0.50 X 25, Ss | 2 |
| 17 | 09011 | (00000000- |) Screw, Hex, M8 X 1.25 X 30, Ss | 2 |
| 18 | 1211968 | (00000000- |) Frame Wldt, Front | 1 |
| 19 | 1020341 | (00000000- |) Screw, Hex, M8 X 1.25 X 20, Ss, Sems | 2 |
| 20 | 1016331 | (00000000- |) Washer, Flat, 0.34b 1.25d .11, Ss | 2 |
| 21 | 1214586 | (00000000- |) Wheel, Scrbr, 8.00d, W/ Brg [Hi Trac] | 2 |
| 22 | 08713 | (00000000- |) Nut, Hex, Lock, M8 X 1.25, NI, Ss | 2 |
| 23 | 1028292 | (00000000- |) Adapter, Mtg, Axle, Alm [T3] | 2 |
| 24 | 1028381 | (00000000- |) Grommet, Axle [Tpu, T3 Push] | 2 |
| 25 | 1028382 | (00000000- |) Axle, Wheel, Hex, Clr Zn [T3 Push] | 1 |
| 26 | 1013946 | (00000000- |) Bracket, Locking, Pedal, Foot | 1 |
| 27 | 01684 | (00000000- |) Washer, Flat, 0.27b 0.69d .05, Ss | 2 |
| 28 | 08712 | (00000000- |) Nut, Hex, Lock, M6 X 1.00, NI, Ss | 2 |
| N/S | 1073677 | (00000000- |) Harness, Main, Ele [Vw, Base, Push] | 1 |
| N/S | 1073593 | (00000000- |) Harness, Ele [Vw, Op.Stat, Push] | 1 |

ACTUATED DOWN PRESSURE GROUP

355282

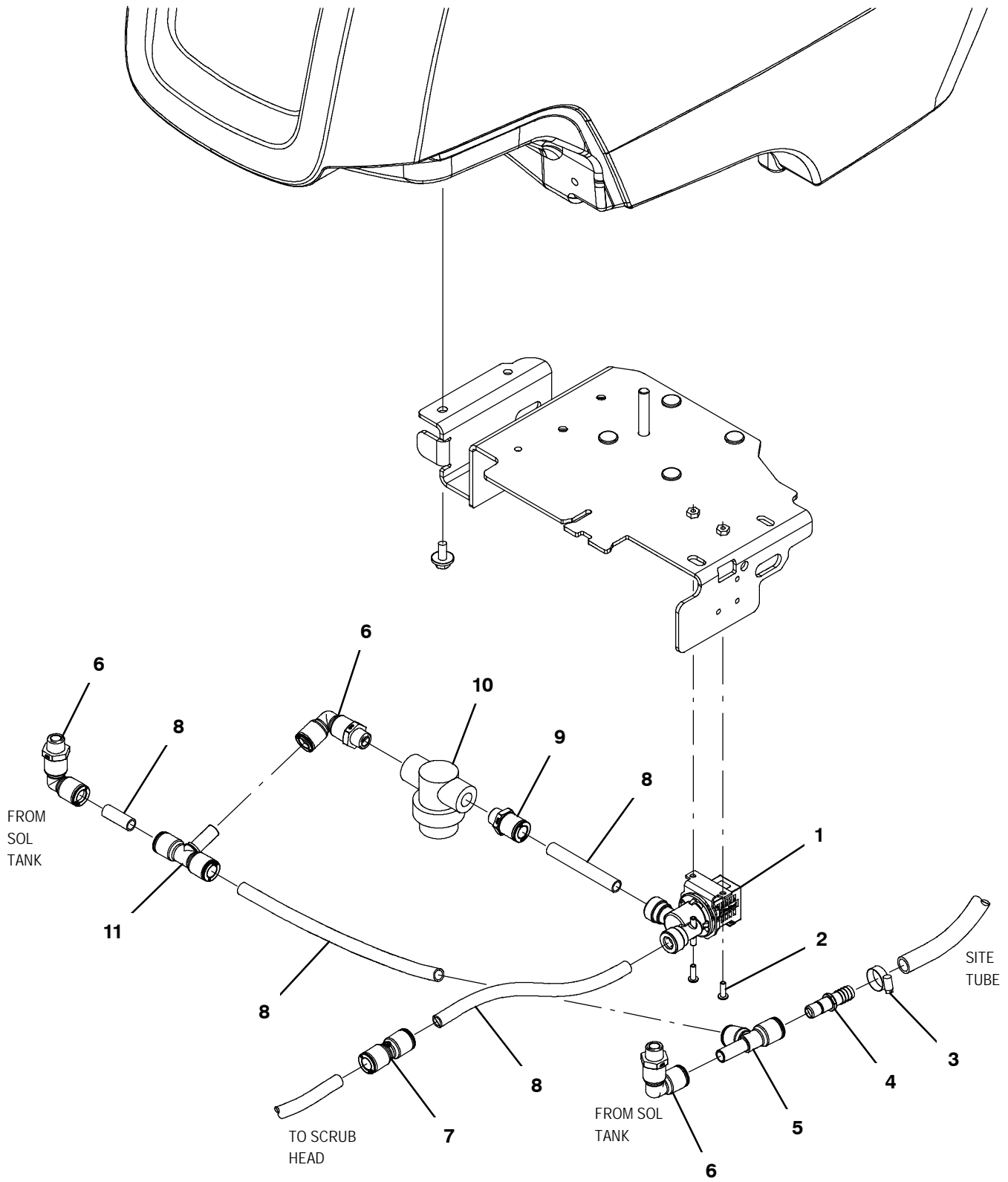


ACTUATED DOWN PRESSURE GROUP

| Ref. | Part No. | Serial Number | Description | Qty. |
|------|----------|---------------|---|------|
| 1 | 1214283 | (00000000- |) Guide, Cable | 1 |
| 2 | 1016005 | (00000000- |) Screw, Hex, M6 X 1.00 X 25, NI, Fl, Ss | 1 |
| 3 | 1213998 | (00000000- |) Bracket Wldt, Mtg, Pulley, Down Press | 1 |
| 4 | 1034731 | (00000000- |) Screw, Hex, M6 X 1.00 X 16, Sems, Ss | 2 |
| 5 | 222460 | (00000000- |) Sleeve, P/M, 0.32b 0.50d 0.5l [430ss] | 4 |
| 6 | 01685 | (00000000- |) Washer, Flat, 0.38b 0.88d .08, Ss | 4 |
| 7 | 08713 | (00000000- |) Nut, Hex, Lock, M8 X 1.25, NI, Ss | 4 |
| 8 | 1205799 | (00000000- |) Screw, Btn, M5 X 0.8 X 16, 8.8, NI, Torx | 2 |
| 9 | 01683 | (00000000- |) Washer, Flat, 10, Ss | 2 |
| 10 | 1212336 | (00000000- |) Cover, Pulley Assy, Down- Press | 1 |
| 11 | 369781 | (00000000- |) Pulley, Cable, 1.5d Nyl | 2 |
| 12 | 1216611 | (00000000- |) Spring, Extn, 1.14od, 0.13wir, 6.5l (Disk & Orbital Models) | 1 |
| 12 | 1216677 | (00000000- |) Spring, Extn, 1.08od, 0.09wir, 6.5l (Cylindrical Model) | 1 |
| 13 | 1218891 | (00000000- |) Retainer, Strip, Rubber | 1 |
| 14 | 1214005 | (00000000- |) Cable, Down Press | 1 |
| 15 | 1213986 | (00000000- |) Bracket Wldt, Mtg, Pulley, Down Press | 1 |
| 16 | 1020341 | (00000000- |) Screw, Hex, M8 X 1.25 X 20, Ss, Sems | 4 |
| 17 | 130773 | (00000000- |) Tie, Cable, Nyl, 11.0l, .14w, 3.0 Max. D | 1 |
| 18 | 1213982 | (00000000- |) Actuator, 24vdc, 76.2 Strk, 500n | 1 |
| 19 | 44906 | (00000000- |) Pin, Cotter, Hair, 0.38d .093 Wir | 2 |
| 20 | 397249 | (00000000- |) Pin, Clevis, 0.31d X 1.62l | 2 |
| 21 | 1214971 | (00000000- |) Actuator Wldt, Mtg | 1 |

SOLUTION GROUP, STANDARD MODEL

355308



SOLUTION GROUP, STANDARD MODEL

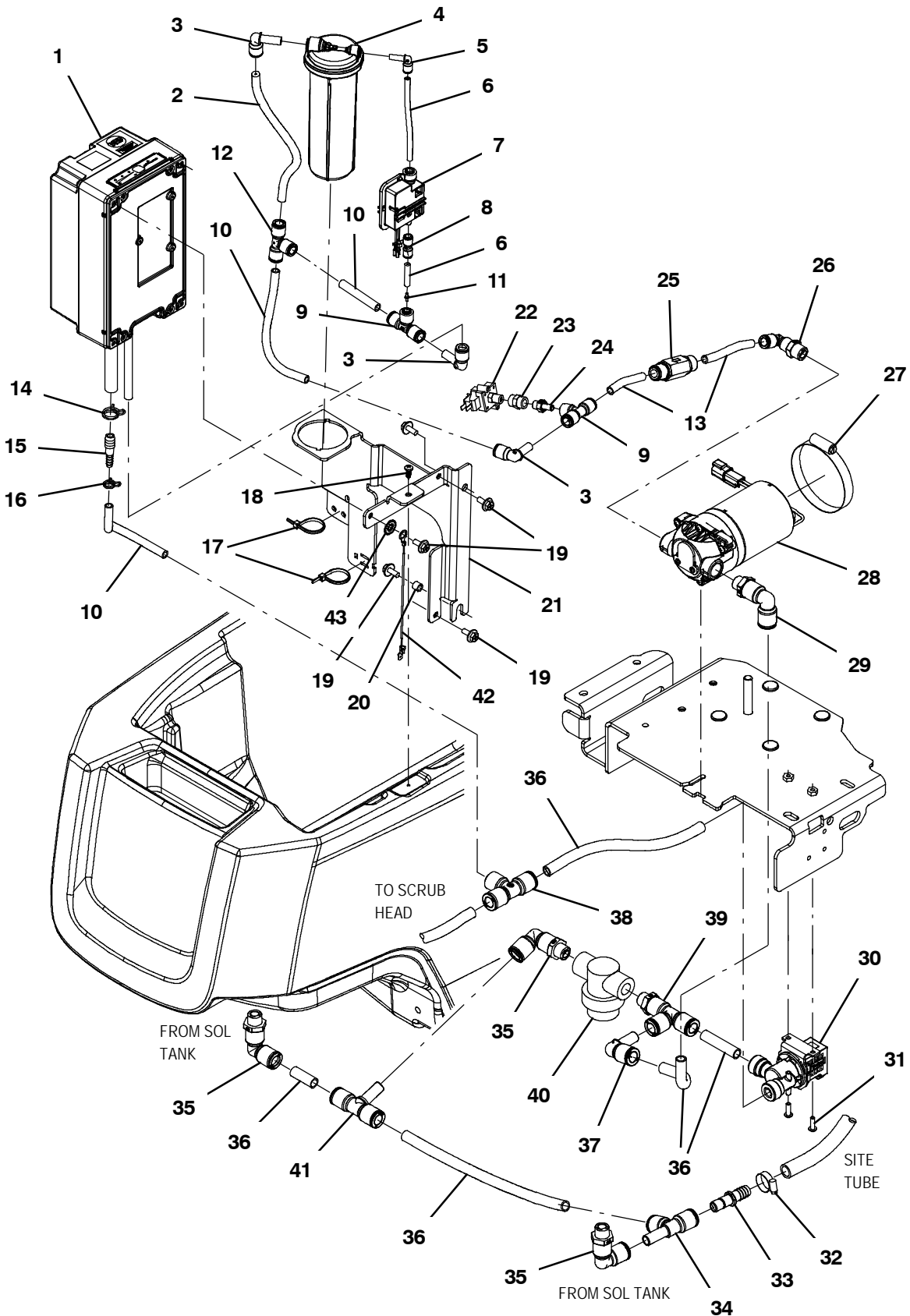
| Ref. | Part No. | Serial Number | Description | Qty. | |
|------|----------|---------------|---|---|---|
| 1 | 1211424 | (00000000- |) Valve, Water, Solenoid, 24vdc Qf08/Qf08 | 1 | |
| 2 | 1205799 | (00000000- |) Screw, Btn, M5 X 0.8 X 16, 8.8, NI, Torx | 2 | |
| 3 | 1212807 | (00000000- |) Fitting, Plstc, Str, Qm08/Bm08 | 1 | |
| 4 | 54333 | (00000000- |) Clamp, Hose, Wormdrive, 0.31- 0.88d, .31w | 1 | |
| 5 | 1212806 | (00000000- |) Fitting, Plstc, Tee, Qf08/Qf08/Qm08 | 1 | |
| 6 | 1212987 | (00000000- |) Fitting, Plstc, E90, Qf08/Pm06, Swivel | 3 | |
| 7 | 1212859 | (00000000- |) Fitting, Plstc, Str, Qf08/Qf08 | 1 | |
| 8 | 9014145 | (00000000- |) Hose, Afmkt, Pe, .375id .50od, 05ft | 1 | |
| 9 | 1212813 | (00000000- |) Fitting, Plstc, Str, Qf08/Pm06 | 1 | |
| ▽ | 10 | 1211537 | (00000000- |) Filter, In- Line, Pf06/Pf06 080m 2.6l Epd | 1 |
| ▲ | | 1218885 | (00000000- |) Gasket [Epdm, F/1211537] | 1 |
| ▲ | | 1218883 | (00000000- |) Screen, Fltr, 80 Mesh, Ss [W/ Cage] | 1 |
| ▲ | | 1211537 | (00000000- |) Filter, In- Line, Pf06/Pf06 080m 2.6l Epd | 1 |
| | 11 | 1212810 | (00000000- |) Fitting, Plstc, Tee, Qm08/Qf08/Qf08 | 1 |

▽ ASSEMBLY

▲ INCLUDED IN ASSEMBLY

SOLUTION GROUP, STANDARD MODEL ec-H20

355310



SOLUTION GROUP, STANDARD MODEL ec- H20

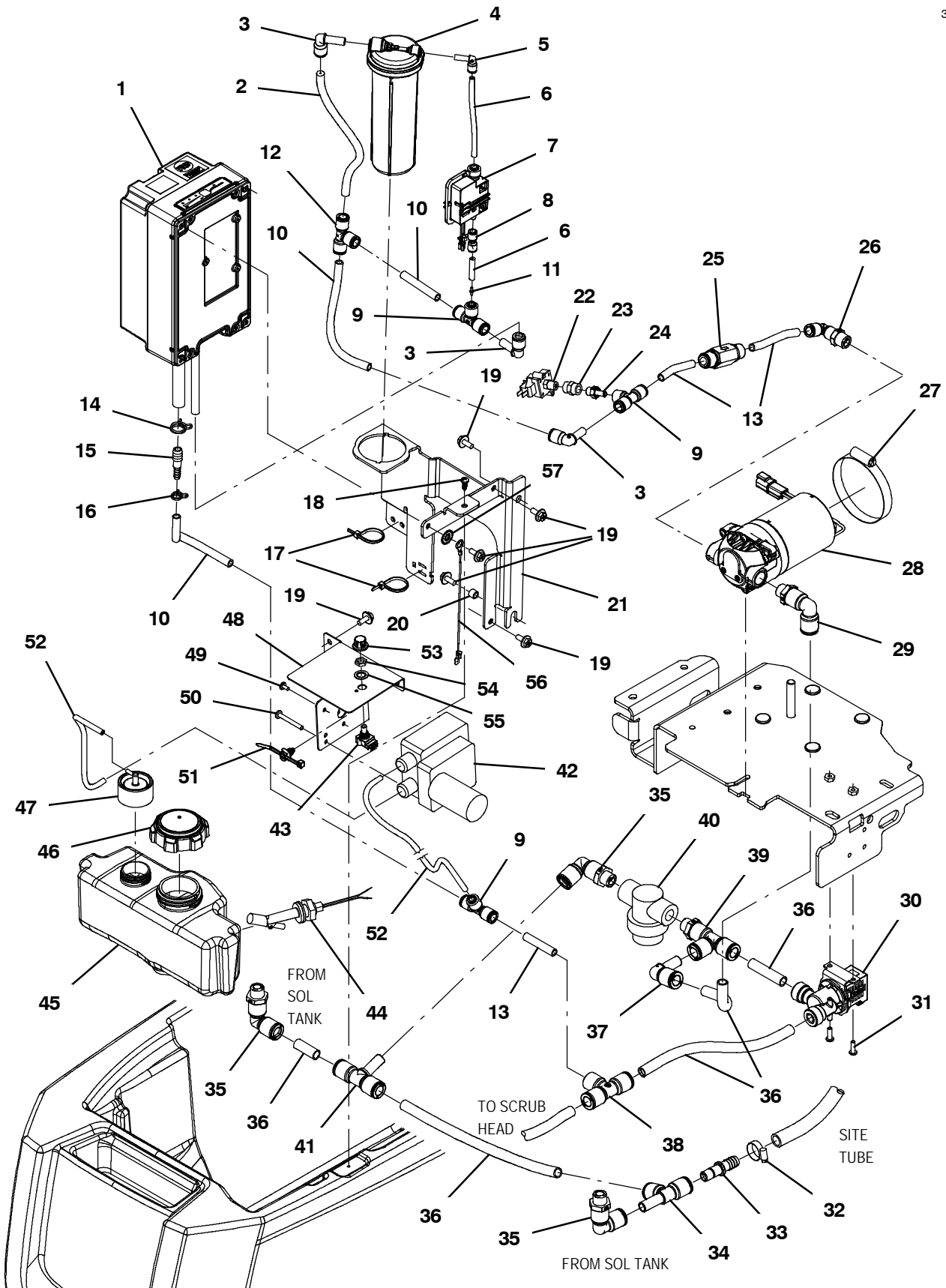
| Ref. | Part No. | Serial Number | Description | Qty. | |
|------|----------|---------------|---|---|---|
| 1 | 9011810 | (00000000- |) Module Kit, Replmt [Ec- H2o, B 02] (See Breakdowns) | 1 | |
| 2 | 9014146 | (00000000- |) Hose, Afmkt, Pvc, 0.06id .38od, 05ft | 1 | |
| 3 | 1215186 | (00000000- |) Fitting, Plstc, E90, Qf06/Qm06 | 1 | |
| 4 | 9013646 | (00000000- |) Cartridge, Ec- H2o Nanoclean Wcm, 270ml | 1 | |
| 5 | 1214339 | (00000000- |) Fitting, Plstc, E90, Qfo4/Qm04 | 1 | |
| 6 | 9014147 | (00000000- |) Hose, Afmkt, Pvc, 0.06id .25od, 05ft | 1 | |
| 7 | 1216973 | (00000000- |) Pump Assy, Dispenser | 1 | |
| 8 | 1218192 | (00000000- |) Fitting, Plstc, Str, Qf04/Qf04 | 1 | |
| 9 | 1212855 | (00000000- |) Fitting, Plstc, Tee, Qf04/Qf06/Qf06 | 2 | |
| 10 | 1006415 | (00000000- |) Hose, Afmkt, Pvc, Clr, 0.25id, 03ft | 1 | |
| 11 | 1214972 | (00000000- |) Fitting, Orifice, Str, Bm01/Bm01 | 1 | |
| 12 | 1212573 | (00000000- |) Fitting, Plstc, Tee, Qf06/Qf06/Qf06 | 1 | |
| 13 | 9014148 | (00000000- |) Hose, Afmkt, Pe, .125id .25od, 06ft | 1 | |
| 14 | 607775 | (00000000- |) Clamp, Hose, Wir, .63 - .66, Blk | 1 | |
| 15 | 1039557 | (00000000- |) Fitting, Plstc, Str, Bm04/Bm06 | 1 | |
| 16 | 613735 | (00000000- |) Clamp, Hose, Wir, .40 - .42, Yel | 1 | |
| 17 | 130773 | (00000000- |) Tie, Cable, Nyl, 11.0l, .14w, 3.0 Max. D | 2 | |
| 18 | 1018155 | (00000000- |) Screw, Pan, Phl, M5 X 0.80 X 16, Tcut, Ss | 1 | |
| 19 | 1034731 | (00000000- |) Screw, Hex, M6 X 1.00 X 16, Sems, Ss | 5 | |
| 20 | 140154 | (00000000- |) Sleeve, P/M, 0.25b 0.38d 0.3l, Pl | 1 | |
| 21 | 1209249 | (00000000- |) Bracket, Mtg, Ec- H20 Module [T300] | 1 | |
| 22 | 1044335 | (00000000- |) Switch, Press, 6psi, Pm02 | 1 | |
| 23 | 150307 | (00000000- |) Fitting, Brs, Str, Pf02/Pf02, Cplg | 1 | |
| 24 | 1216185 | (00000000- |) Fitting, Plstc, Str, Qm04/Pm02 | 1 | |
| 25 | 1215527 | (00000000- |) Valve, Check, 1.0 Psi Qf06/Qf06 | 1 | |
| 26 | 1212812 | (00000000- |) Fitting, Plstc, E90, Qf06/Pm06, Swivel | 1 | |
| 27 | 43555 | (00000000- |) Clamp, Hose, Wormdrive, 2.62- 3.50d | 1 | |
| 28 | 1210517 | (00000000- |) Pump, Soltn, Ele, 24vdc, 35 Psi | 1 | |
| 29 | 1212987 | (00000000- |) Fitting, Plstc, E90, Qf08/Pm06, Swivel | 1 | |
| 30 | 1211424 | (00000000- |) Valve, Water, Solenoid, 24vdc Qf08/Qf08 | 1 | |
| 31 | 1205799 | (00000000- |) Screw, Btn, M5 X 0.8 X 16, 8.8, NI, Torx | 2 | |
| 32 | 54333 | (00000000- |) Clamp, Hose, Wormdrive, 0.31- 0.88d, .31w | 1 | |
| 33 | 1212807 | (00000000- |) Fitting, Plstc, Str, Qm08/Bm08 | 1 | |
| 34 | 1212806 | (00000000- |) Fitting, Plstc, Tee, Qf08/Qf08/Qm08 | 1 | |
| 35 | 1212987 | (00000000- |) Fitting, Plstc, E90, Qf08/Pm06, Swivel | 3 | |
| 36 | 9014145 | (00000000- |) Hose, Afmkt, Pe, .375id .50od, 05ft | 1 | |
| 37 | 1212809 | (00000000- |) Fitting, Plstc, E90, Qf08/Qm08 | 1 | |
| 38 | 1212875 | (00000000- |) Fitting, Plstc, Tee, Qf06/Qf08/Qf08 | 1 | |
| 39 | 1212808 | (00000000- |) Fitting, Plstc, Tee, Qf08/Qf08/Pm06 | 1 | |
| ▽ | 40 | 1211537 | (00000000- |) Filter, In- Line, Pf06/Pf06 080m 2.6l Epd | 1 |
| ▲ | | 1218885 | (00000000- |) Gasket [Epdm, F/1211537] | 1 |
| ▲ | | 1218883 | (00000000- |) Screen, Fltr, 80 Mesh, Ss [W/ Cage] | 1 |
| ▲ | | 1211537 | (00000000- |) Filter, In- Line, Pf06/Pf06 080m 2.6l Epd | 1 |
| | 41 | 1212810 | (00000000- |) Fitting, Plstc, Tee, Qm08/Qf08/Qf08 | 1 |
| | 42 | 1074344 | (00000000- |) Harness, Ele [Ring With .250m Tail] | 1 |
| | 43 | 41140 | (00000000- |) Washer, Lock, Int- Ext, 0.25 | 1 |

▽ ASSEMBLY

▲ INCLUDED IN ASSEMBLY

SOLUTION GROUP, STANDARD MODEL ec- H20 & SEVERE ENVIRONMENT

355311



SOLUTION GROUP, STANDARD MODEL ec- H20 & SEVERE ENVIRONMENT

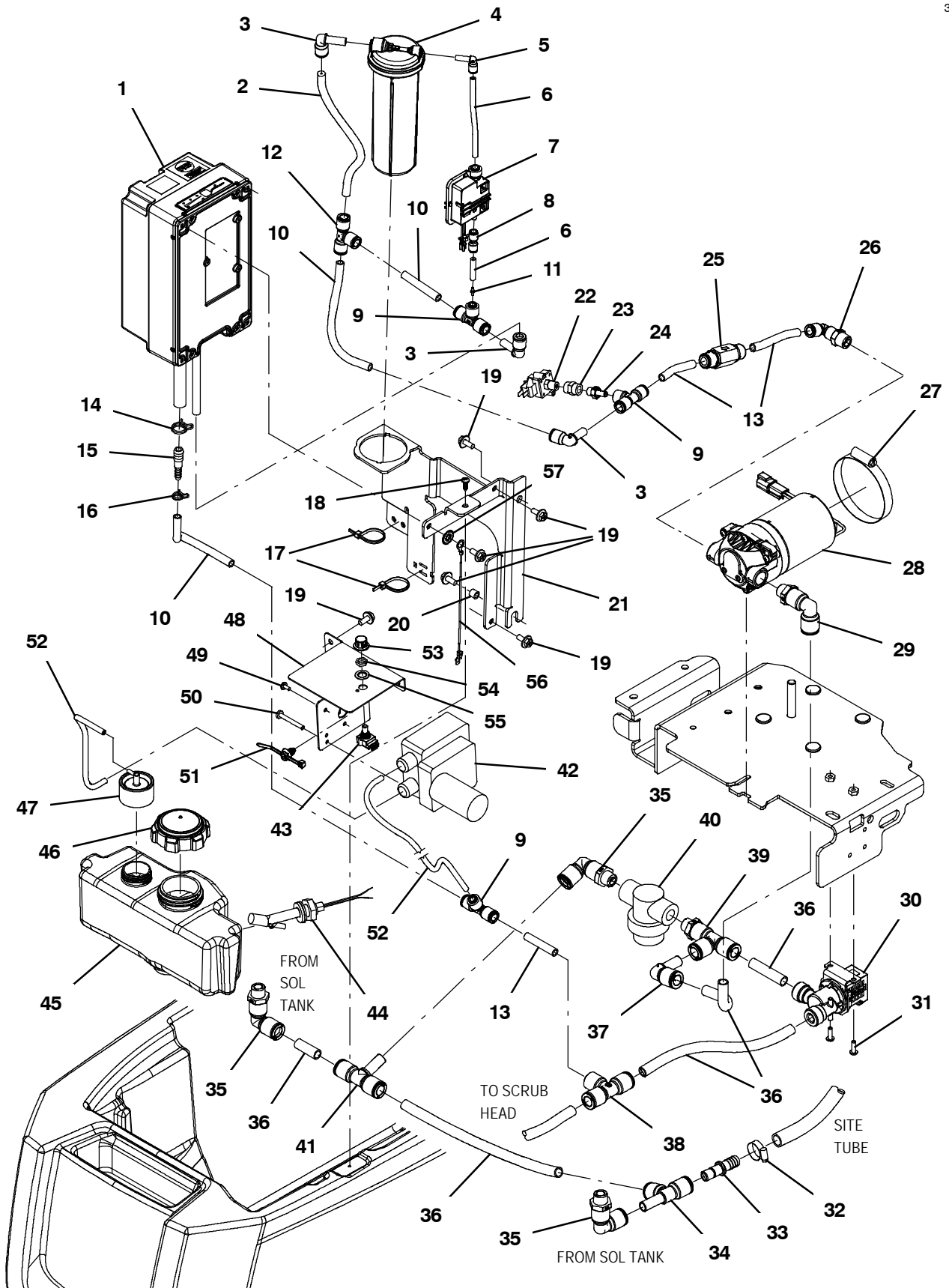
| Ref. | Part No. | Serial Number | Description | Qty. |
|------|----------|---------------|---|------|
| 1 | 9011810 | (00000000- |) Module Kit, Replmt [Ec- H2o, B 02] (See Breakdowns) | 1 |
| 2 | 9014146 | (00000000- |) Hose, Afmkt, Pvc, 0.06id .38od, 05ft | 1 |
| 3 | 1215186 | (00000000- |) Fitting, Plstc, E90, Qf06/Qm06 | 1 |
| 4 | 9013646 | (00000000- |) Cartridge, Ec- H2o Nanoclean Wcm, 270ml | 1 |
| 5 | 1214339 | (00000000- |) Fitting, Plstc, E90, Qfo4/Qm04 | 1 |
| 6 | 9014147 | (00000000- |) Hose, Afmkt, Pvc, 0.06id .25od, 05ft | 1 |
| 7 | 1216973 | (00000000- |) Pump Assy, Dispenser | 1 |
| 8 | 1218192 | (00000000- |) Fitting, Plstc, Str, Qf04/Qf04 | 1 |
| 9 | 1212855 | (00000000- |) Fitting, Plstc, Tee, Qf04/Qf06/Qf06 | 3 |
| 10 | 1006415 | (00000000- |) Hose, Afmkt, Pvc, Clr, 0.25id, 03ft | 1 |
| 11 | 1214972 | (00000000- |) Fitting, Orifice, Str, Bm01/Bm01 | 1 |
| 12 | 1212573 | (00000000- |) Fitting, Plstc, Tee, Qf06/Qf06/Qf06 | 1 |
| 13 | 9014148 | (00000000- |) Hose, Afmkt, Pe, .125id .25od, 06ft | 1 |
| 14 | 607775 | (00000000- |) Clamp, Hose, Wir, .63 - .66, Blk | 1 |
| 15 | 1039557 | (00000000- |) Fitting, Plstc, Str, Bm04/Bm06 | 1 |
| 16 | 613735 | (00000000- |) Clamp, Hose, Wir, .40 - .42, Yel | 1 |
| 17 | 130773 | (00000000- |) Tie, Cable, Nyl, 11.0l, .14w, 3.0 Max. D | 2 |
| 18 | 1018155 | (00000000- |) Screw, Pan, Phl, M5 X 0.80 X 16, Tcut, Ss | 1 |
| 19 | 1034731 | (00000000- |) Screw, Hex, M6 X 1.00 X 16, Sems, Ss | 7 |
| 20 | 140154 | (00000000- |) Sleeve, P/M, 0.25b 0.38d 0.3l, PI | 1 |
| 21 | 1209249 | (00000000- |) Bracket, Mtg, Ec- H20 Module [T300] | 1 |
| 22 | 1044335 | (00000000- |) Switch, Press, 6psi, Pm02 | 1 |
| 23 | 150307 | (00000000- |) Fitting, Brs, Str, Pf02/Pf02, Cplg | 1 |
| 24 | 1216185 | (00000000- |) Fitting, Plstc, Str, Qm04/Pm02 | 1 |
| 25 | 1215527 | (00000000- |) Valve, Check, 1.0 Psi Qf06/Qf06 | 1 |
| 26 | 1212812 | (00000000- |) Fitting, Plstc, E90, Qf06/Pm06, Swivel | 1 |
| 27 | 43555 | (00000000- |) Clamp, Hose, Wormdrive, 2.62- 3.50d | 1 |
| 28 | 1210517 | (00000000- |) Pump, Soltn, Ele, 24vdc, 35 Psi | 1 |
| 29 | 1212987 | (00000000- |) Fitting, Plstc, E90, Qf08/Pm06, Swivel | 1 |
| 30 | 1211424 | (00000000- |) Valve, Water, Solenoid, 24vdc Qf08/Qf08 | 1 |
| 31 | 1205799 | (00000000- |) Screw, Btn, M5 X 0.8 X 16, 8.8, NI, Torx | 2 |
| 32 | 54333 | (00000000- |) Clamp, Hose, Wormdrive, 0.31- 0.88d, .31w | 1 |
| 33 | 1212807 | (00000000- |) Fitting, Plstc, Str, Qm08/Bm08 | 1 |
| 34 | 1212806 | (00000000- |) Fitting, Plstc, Tee, Qf08/Qf08/Qm08 | 1 |
| 35 | 1212987 | (00000000- |) Fitting, Plstc, E90, Qf08/Pm06, Swivel | 3 |
| 36 | 9014145 | (00000000- |) Hose, Afmkt, Pe, .375id .50od, 05ft | 1 |
| 37 | 1212809 | (00000000- |) Fitting, Plstc, E90, Qf08/Qm08 | 1 |
| 38 | 1212875 | (00000000- |) Fitting, Plstc, Tee, Qf06/Qf08/Qf08 | 1 |
| 39 | 1212808 | (00000000- |) Fitting, Plstc, Tee, Qf08/Qf08/Pm06 | 1 |
| ▽ | 40 | 1211537 |) Filter, In- Line, Pf06/Pf06 080m 2.6l Epd | 1 |
| ▲ | | 1218885 |) Gasket [Epdm, F/1211537] | 1 |
| ▲ | | 1218883 |) Screen, Fltr, 80 Mesh, Ss [W/ Cage] | 1 |
| ▲ | | 1211537 |) Filter, In- Line, Pf06/Pf06 080m 2.6l Epd | 1 |

▽ ASSEMBLY

▲ INCLUDED IN ASSEMBLY

SOLUTION GROUP, STANDARD MODEL ec- H2O & SEVERE ENVIRONMENT - CONT'D

355311



SOLUTION GROUP, STANDARD MODEL ec- H20 & SEVERE ENVIRONMENT - CONT'D

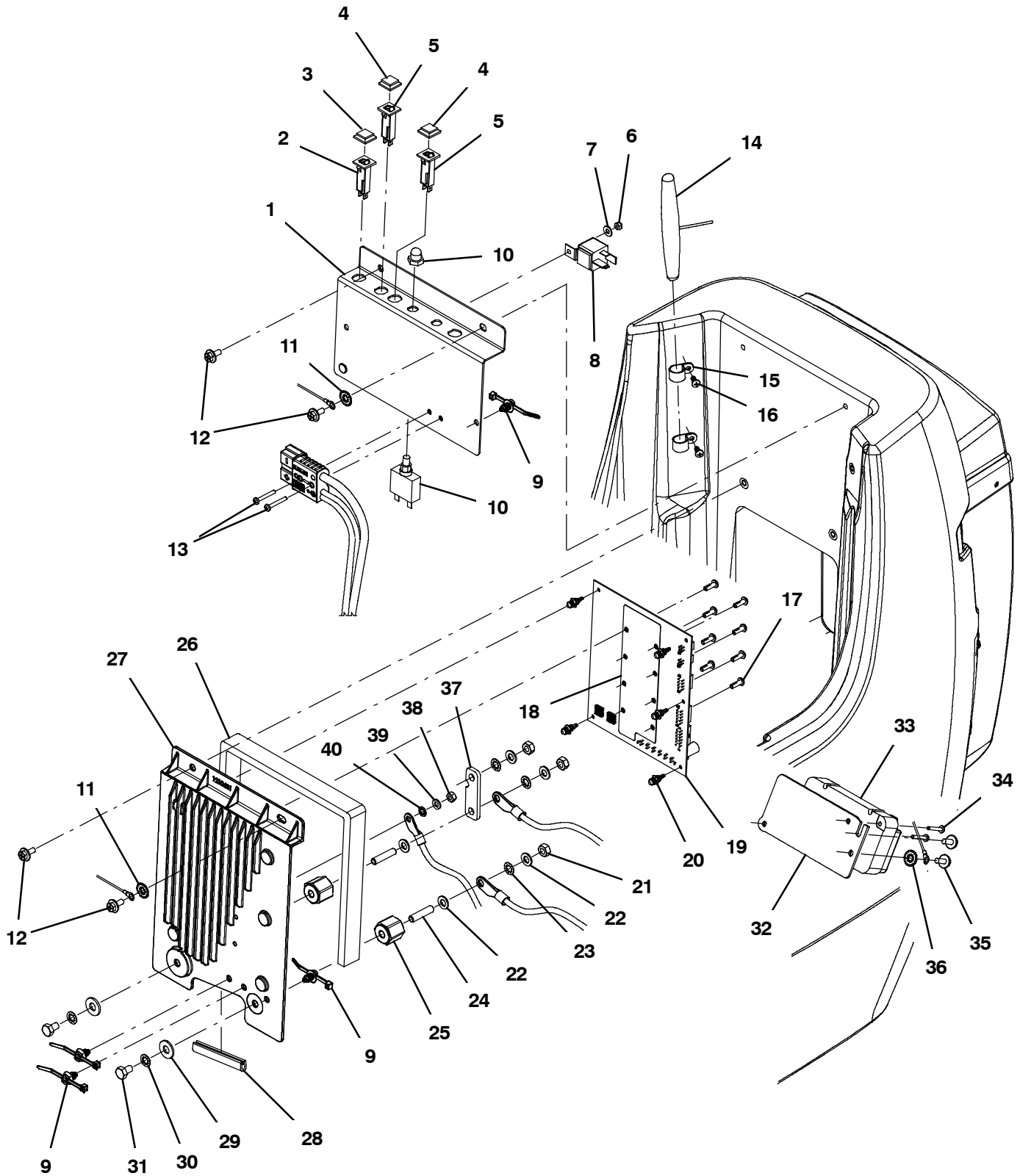
| Ref. | Part No. | Serial Number | Description | Qty. |
|------|----------|---------------|--|------|
| | 41 | 1212810 | (00000000-) Fitting, Plstc, Tee, Qm08/Qf08/Qf08 | 1 |
| ▽ | 42 | 1215698 | (00000000-) Pump Assy, Detgt, 24 Vdc [T300] | 1 |
| ▲ | | 1208721 | (00000000-) Pump, Detgt, 24vdc, 120rpm | 1 |
| ▲ | | 1219077 | (00000000-) Hose Kit, Detgt [0.5cc] | 1 |
| ▲ | 43 | 1211775 | (00000000-) Potentiometer [5k, W/Leads And Conn.] | 1 |
| | 44 | 1212430 | (00000000-) Sensor, Level, Liq, 30watt, Spst | 1 |
| | 45 | 1208289 | (00000000-) Tank [1.5 Liter] | 1 |
| | 46 | 1210442 | (00000000-) Cap, Tank, 2.25 [Vented] | 1 |
| | 47 | 1210437 | (00000000-) Cap, Plstc, 38mm, Elbow Ftg | 1 |
| | 48 | 1209151 | (00000000-) Bracket, Mtg, Pump, Detgt | 1 |
| | 49 | 609980 | (00000000-) Screw, Trs, Phl, 08- 32 X 0.38, Sems | 4 |
| | 50 | 17185 | (00000000-) Screw, Pan, Phl, M5 X 0.80 X 40, Ss | 2 |
| | 51 | 1210807 | (00000000-) Wire, Tie [W/.25" Fir Tree Clip] | 1 |
| | 52 | 613465 | (00000000-) Hose, Pvc, Clr, 0.12id 0.25od 026.0l | 1 |
| | 53 | 630265 | (00000000-) Knob, Rnd, 0.75d 0.50l 0.25b, Plstc | 1 |
| | 54 | 222607 | (00000000-) Nut, Hex, Thin, .38- 32 | 1 |
| | 55 | 43953 | (00000000-) Washer, Lock, Int, 0.38, Ss | 1 |
| | 56 | 1074344 | (00000000-) Harness, Ele [Ring With .250m Tail] | 1 |
| | 57 | 41140 | (00000000-) Washer, Lock, Int- Ext, 0.25 | 1 |

▽ ASSEMBLY

▲ INCLUDED IN ASSEMBLY

ELECTRICAL COMPONENTS GROUP, STANDARD MODEL

355321

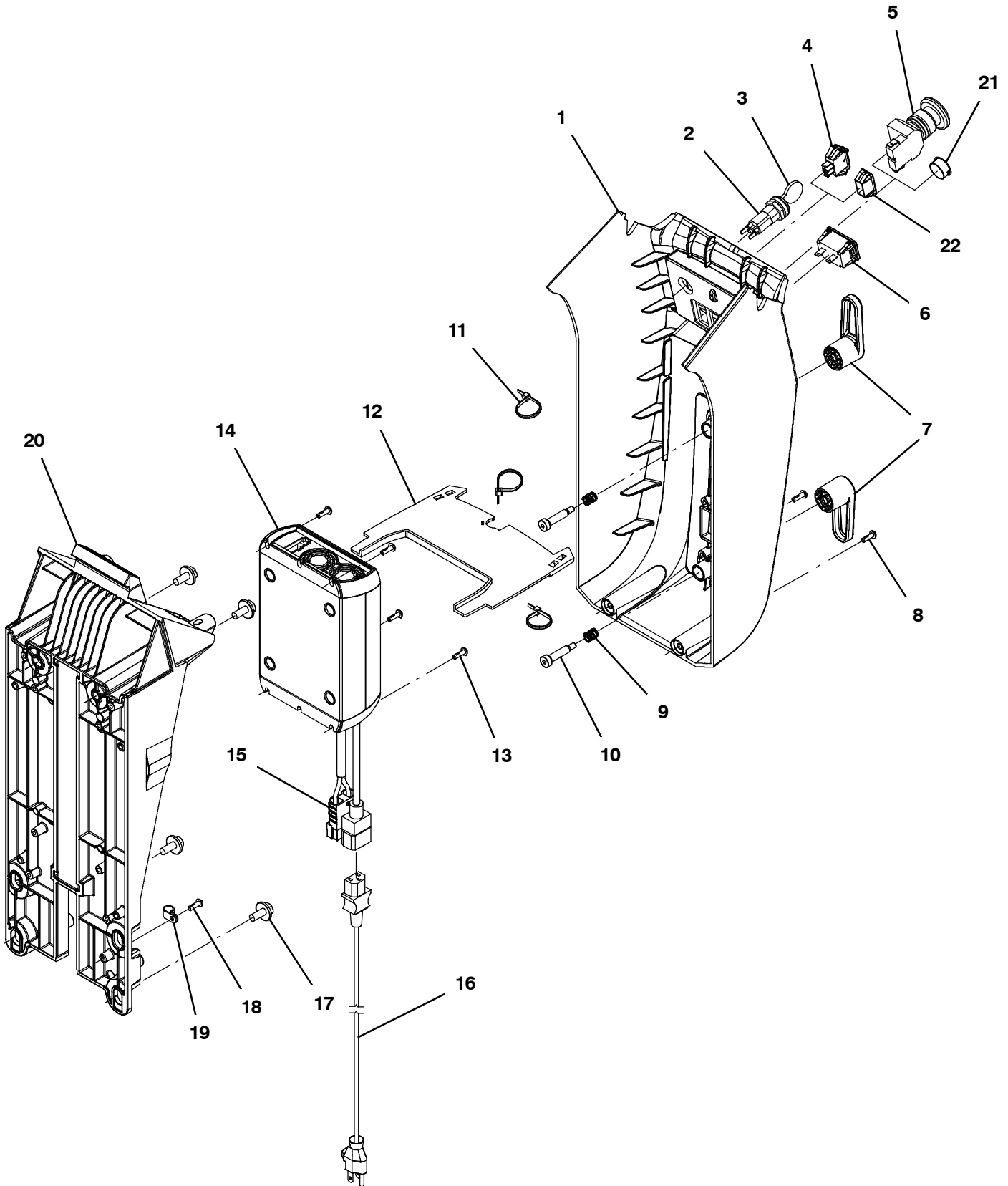


ELECTRICAL COMPONENTS GROUP, STANDARD MODEL

| Ref. | Part No. | Serial Number | Description | Qty. |
|------|----------|---------------|--|------|
| 1 | 9014188 | (00000000- |) Bracket Wldt, Afmkt, Mtg [Circuitbrkrs] | 1 |
| 2 | 1208816 | (00000000- |) Circuitbreaker, 04.0a, Resetable | 1 |
| 3 | 1064191 | (00000000- |) Boot, Circuitbreaker | 1 |
| 4 | 1064191 | (00000000- |) Boot, Circuitbreaker (ec- H2O Option) | 2 |
| 5 | 1208816 | (00000000- |) Circuitbreaker, 04.0a, Resetable (ec- H2O Option) | 2 |
| 6 | 09739 | (00000000- |) Nut, Hex, Lock, M5 X 0.80, NI, Ss (ec- H2O Option) | 1 |
| 7 | 01683 | (00000000- |) Washer, Flat, 10, Ss (ec- H2O Option) | 1 |
| 8 | 1012216 | (00000000- |) Relay, 24vdc, 070a, Spst No, Plug- In (ec- H2O Option) | 1 |
| 9 | 1210807 | (00000000- |) Wire, Tie [W/.25" Fir Tree Clip] | 4 |
| 10 | 383725 | (00000000- |) Circuitbreaker, 30.0a, Resetable (Propel Model) | 1 |
| 11 | 41140 | (00000000- |) Washer, Lock, Int- Ext, 0.25 | 2 |
| 12 | 1034731 | (00000000- |) Screw, Hex, M6 X 1.00 X 16, Sems, Ss | 4 |
| 13 | 33931 | (00000000- |) Screw, Pan, Phl, M4 X 0.70 X 30, Ss | 2 |
| 14 | 315724 | (00000000- |) Cs, Antenna, Telem, 18.0 In [Gprs] (Iris Option) | 1 |
| | 768531 | (00000000- |) Sleeve, Heatshrink, 0.38id, 06.0l (Iris Option) | 1 |
| 15 | 140916 | (00000000- |) Clamp, Cable, Nyl, 0.62d, Nat (Iris Option) | 2 |
| 16 | 1018155 | (00000000- |) Screw, Pan, Phl, M5 X 0.80 X 16, Tcut,Ss (Iris Option) | 2 |
| 17 | 1205799 | (00000000- |) Screw, Btn, M5 X 0.8 X 16, 8.8, NI, Torx | 8 |
| 18 | 1210381 | (00000000- |) Circuitboard, Silpad [Vw, Lower] | 1 |
| 19 | 1210736 | (00000000- |) Circuitboard, Assy [Vw, Controller] | 1 |
| 19 | 1215340 | (00000000- |) Circuitboard, Assy [Vw, Cntrl, Telem] (Iris Option) | 1 |
| 20 | 1209448 | (00000000- |) Standoff, Circuitboard, .25 | 5 |
| 21 | 41361 | (00000000- |) Nut, Hex, Std, M8 X 1.25, Brs | 3 |
| 22 | 1209373 | (00000000- |) Washer, Flat, M8.4b X 16d X 1.6, Brs | 5 |
| 23 | 43952 | (00000000- |) Washer, Lock, Int, 0.31, Ss | 3 |
| 24 | 607461 | (00000000- |) Screw, Set, M8 X 1.25 X 35, NI | 2 |
| 25 | 1205345 | (00000000- |) Stand- Off, Wir, M8, Insulator, Panel | 2 |
| 26 | 1208628 | (00000000- |) Gasket, Cover, Circuitboard | 1 |
| 27 | 1210631 | (00000000- |) Heatsink, Mtg, Circuitboard, 12.1 X 08.6 | 1 |
| 28 | 1020174 | (00000000- |) Molding, Afmkt, Trim, Pvc, .08 .11, 03ft | 1 |
| 29 | 01685 | (00000000- |) Washer, Flat, 0.38b 0.88d .08, Ss | 2 |
| 30 | 32984 | (00000000- |) Washer, Lock, Int, 0.31 | 2 |
| 31 | 386868 | (00000000- |) Screw, Hex, M8 X 1.25 X 12, Ss | 2 |
| 32 | 1210078 | (00000000- |) Bracket Wldt, Drive (Propel Model) | 1 |
| 33 | 1210795 | (00000000- |) Controller, Propel, 24vdc [I- Drive] (Propel Model) | 1 |
| 34 | 04403 | (00000000- |) Screw, Pan, Phl, M4 X 0.70 X 25, NI, Ss (Propel Model) | 2 |
| 35 | 1034731 | (00000000- |) Screw, Hex, M6 X 1.00 X 16, Sems, Ss (Propel Model) | 2 |
| 36 | 41140 | (00000000- |) Washer, Lock, Int- Ext, 0.25 (Propel Model) | 1 |
| 37 | 1212780 | (00000000- |) Busbar, 125a 0.188 0.750w 2.638l | 1 |
| 38 | 1061910 | (00000000- |) Nut, Hex, Std, M6 X 1.00, Brs | 1 |
| 39 | 1061918 | (00000000- |) Washer, Flat, 0.25b 0.47d .06, Brs | 1 |
| 40 | 07515 | (00000000- |) Washer, Lock, Int, 0.25, Ss | 1 |

LOWER CONSOLE GROUP, ON-BOARD CHARGER

355328



LOWER CONSOLE GROUP, ON-BOARD CHARGER

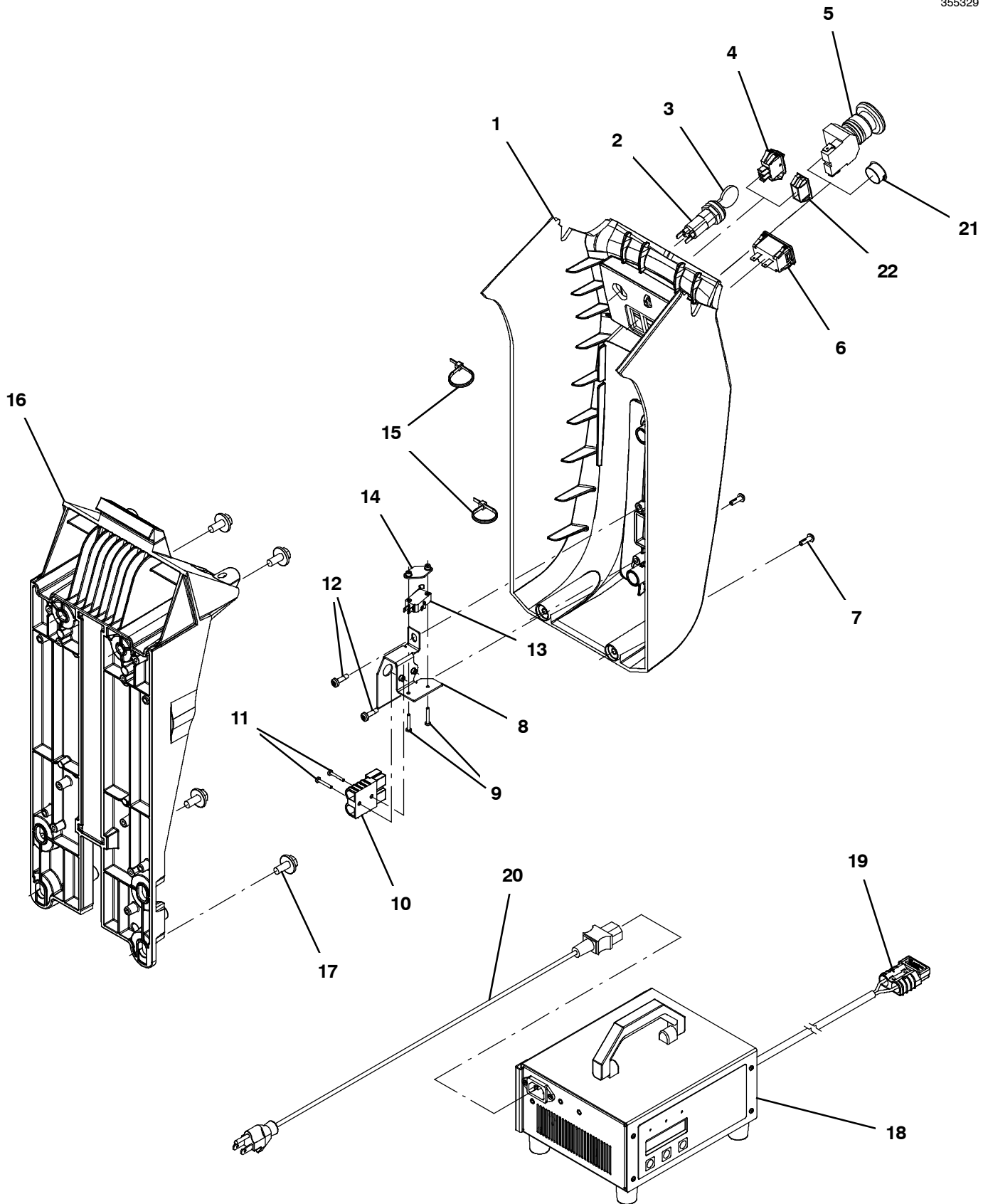
| Ref. | Part No. | Serial Number | Description | Qty. |
|------|----------|---------------|--|------|
| | 1 | 1203802 | (00000000-) Cover, Column, Cntrl | 1 |
| ▽ | 2 | 1011402 | (00000000-) Switch, Key | 1 |
| ▲ | 3 | 1017696 | (00000000-) Key Set, Replmt [F/ Keyswitch 1011402] | 1 |
| | 4 | 1044393 | (00000000-) Switch, Rocker, Spst Mom (ec- H2O Option) | 1 |
| | 5 | 1011735 | (00000000-) Switch, Safety, Shutoff (Propel Model) | 1 |
| | 6 | 1064038 | (00000000-) Gauge, Hourmeter, 05- 277 Volt, Ac / Dc | 1 |
| | 7 | 1205496 | (00000000-) Hook, Cord | 2 |
| | 8 | 1205799 | (00000000-) Screw, Btn, M5 X 0.8 X 16, 8.8, NI, Torx | 2 |
| | 9 | 611311 | (00000000-) Spring, Cmpr, 0.40od .05wir 00.5l, Pl,Mw | 2 |
| | 10 | 1024965 | (00000000-) Bolt, Shld, 08mmd X 030mm, M06 X 1.0 | 2 |
| | 11 | 130773 | (00000000-) Tie, Cable, Nyl, 11.0l, .14w, 3.0 Max. D | 3 |
| | 12 | 1211582 | (00000000-) Cover, Chrgr [Small Spe] | 1 |
| | 13 | 1205799 | (00000000-) Screw, Btn, M5 X 0.8 X 16, 8.8, NI, Torx | 4 |
| ▽ | 14 | 1202261 | (00000000-) Charger, 24vdc 13a 85- 265vac [On- Board] | 1 |
| ▲ | 15 | 605387 | (00000000-) Connector, Anderson, 050a, Red [W/O Con] | 1 |
| | 16 | 1025642 | (00000000-) Cord, Power, 16/3, 15ft Blk [Us] | 1 |
| | 16 | 1026330 | (00000000-) Cord, Power, 1.0mm2 [2.5meter] (China) | 1 |
| | 16 | 1026325 | (00000000-) Cord, Power, 1.0mm2/3 Blk[2.5meter, Aus] | 1 |
| | 16 | 1048304 | (00000000-) Cord, Power [4.5meter, India, S.Africa] | 1 |
| | 17 | 1020341 | (00000000-) Screw, Hex, M8 X 1.25 X 20, Ss, Sems | 4 |
| | 18 | 1205799 | (00000000-) Screw, Btn, M5 X 0.8 X 16, 8.8, NI, Torx | 1 |
| | 19 | 26395- 2 | (00000000-) Clamp, Cable, Stl, 0.38d X 0.38w, 1hole | 1 |
| | 20 | 1216531 | (00000000-) Frame, Column, Cntrl [Revised Machined] | 1 |
| | 21 | 130161 | (00000000-) Plug, Hole, Rnd, 0.88d, Blk (Push Model) | 1 |
| | 22 | 582150 | (00000000-) Plug, Hole, Rt, 1.23 X 1.12, Nyl (Standard Model) | 1 |

▽ ASSEMBLY

▲ INCLUDED IN ASSEMBLY

LOWER CONSOLE GROUP, OFF-BOARD CHARGER

355329



LOWER CONSOLE GROUP, OFF- BOARD CHARGER

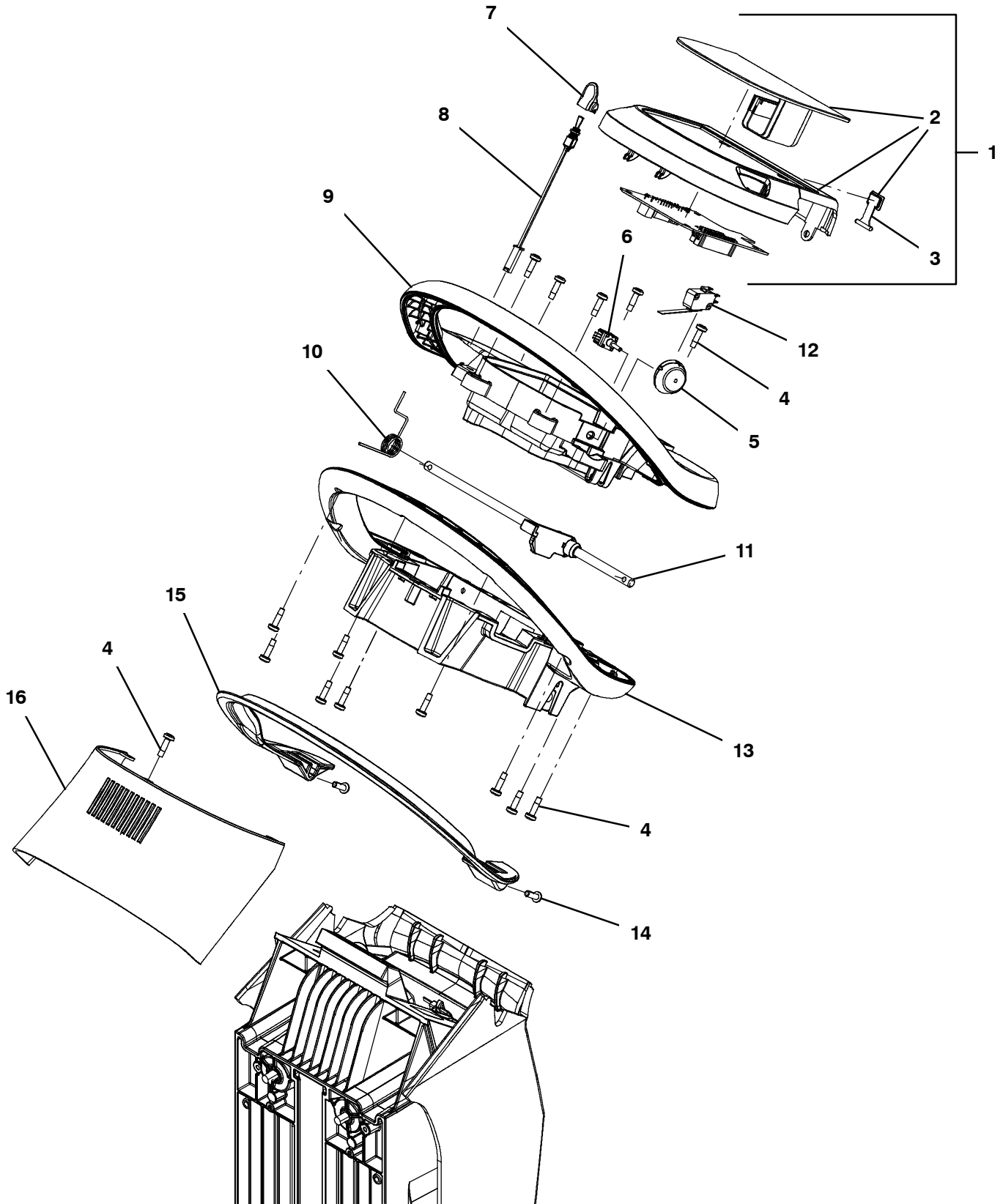
| Ref. | Part No. | Serial Number | Description | Qty. |
|------|----------|---------------|--|------|
| | 1 | 1203802 | (00000000-) Cover, Column, Cntrl | 1 |
| ▽ | 2 | 1011402 | (00000000-) Switch, Key | 1 |
| ▲ | 3 | 1017696 | (00000000-) Key Set, Replmt [F/ Keyswitch 1011402] | 1 |
| | 4 | 1044393 | (00000000-) Switch, Rocker, Spst Mom (ec- H2O Option) | 1 |
| | 5 | 1011735 | (00000000-) Switch, Safety, Shutoff (Propel Model) | 1 |
| | 6 | 1064038 | (00000000-) Gauge, Hourmeter, 05- 277 Volt, Ac / Dc | 1 |
| | 7 | 1205799 | (00000000-) Screw, Btn, M5 X 0.8 X 16, 8.8, NI, Torx | 2 |
| | 8 | 1208599 | (00000000-) Bracket Assy, Plug, Charger | 1 |
| | 9 | 06922 | (00000000-) Screw, Pan, Phl, M3 X 0.50 X 20, 4.8 | 2 |
| | 10 | 605387 | (00000000-) Connector, Anderson, 050a, Red [W/O Con] | 1 |
| | 11 | 06922 | (00000000-) Screw, Pan, Phl, M3 X 0.50 X 20, 4.8 | 2 |
| | 12 | 1043573 | (00000000-) Screw, #10- 14 X 0.675, Spl[Shcs,Selftap] | 2 |
| | 13 | 1215716 | (00000000-) Switch, 0.1a, Spdt[Micro, Gold Contacts] | 1 |
| | 14 | 1013705 | (00000000-) Plate, Thread, Switch, M3 Nut, 96hr PI | 1 |
| | 15 | 130773 | (00000000-) Tie, Cable, Nyl, 11.0l, .14w, 3.0 Max. D | 2 |
| | 16 | 1216531 | (00000000-) Frame, Column, Cntrl [Revised Machined] | 1 |
| | 17 | 1020341 | (00000000-) Screw, Hex, M8 X 1.25 X 20, Ss, Sems | 4 |
| ▽ | 18 | 1212837 | (00000000-) Charger, 24vdc, 13a 85- 265vac [Offboard] | 1 |
| ▲ | 19 | 605387 | (00000000-) Connector, Anderson, 050a, Red [W/O Con] | 1 |
| | 20 | 1025642 | (00000000-) Cord, Power, 16/3, 15ft Blk [Us] | 1 |
| | 20 | 1026330 | (00000000-) Cord, Power, 1.0mm2 [2.5meter] (China) | 1 |
| | 20 | 1026325 | (00000000-) Cord, Power, 1.0mm2/3 Blk[2.5meter, Aus] | 1 |
| | 20 | 1048304 | (00000000-) Cord, Power [4.5meter, India, S.Africa] | 1 |
| | 21 | 130161 | (00000000-) Plug, Hole, Rnd, 0.88d, Blk (Push Model) | 1 |
| | 22 | 582150 | (00000000-) Plug, Hole, Rt, 1.23 X 1.12, Nyl (Standard Model) | 1 |

▽ ASSEMBLY

▲ INCLUDED IN ASSEMBLY

HANDLE GROUP, MEMBRANE PROPEL MODEL

355324



HANDLE GROUP, MEMBRANE PROPEL MODEL

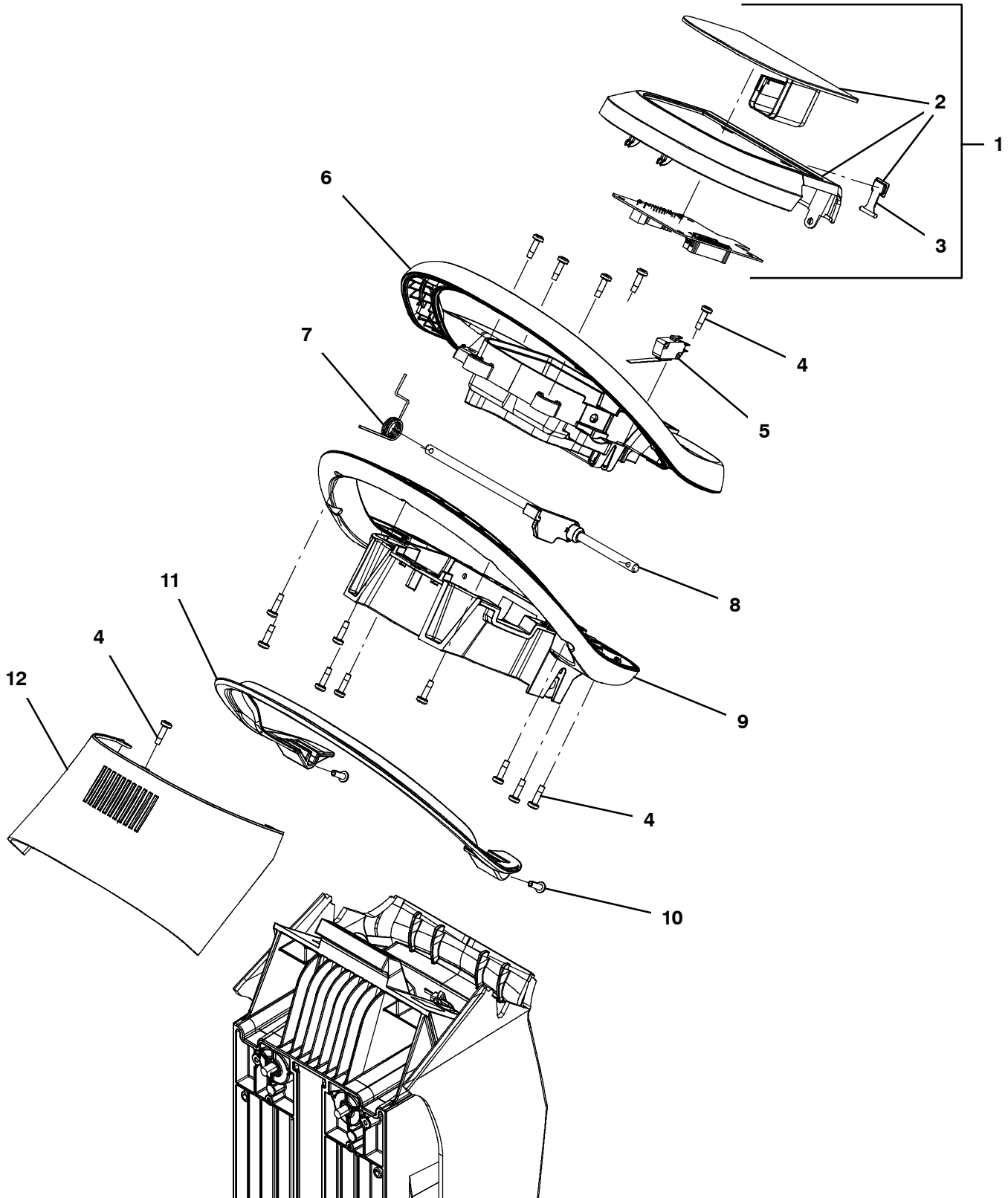
| Ref. | Part No. | Serial Number | Description | Qty. |
|------|----------|---------------|--|------|
| ▽ | 1 | 9014133 | (00000000-) Bezel Kit, Propel, Membrane, Ci [T300] | 1 |
| ▲▽ | 2 | 9014139 | (00000000-) Screen Kit, Propel, Membrane, Ci [T300] | 1 |
| ▲▲ | 3 | 1205618 | (00000000-) Cap, Usb | 1 |
| | 4 | 1043573 | (00000000-) Screw, #10- 14 X 0.675, Spl[Shcs,Selftap] | 15 |
| | 5 | 1206586 | (00000000-) Dial, Range, Speed | 1 |
| | 6 | 1204930 | (00000000-) Potentiometer [100k, 1 Turn, B5/B7] | 1 |
| | 7 | 1209730 | (00000000-) Cap, Toggle, Direction | 1 |
| | 8 | 1209673 | (00000000-) Switch Assy, Toggle, Direction | 1 |
| | 9 | 1203787 | (00000000-) Housing, Handle, Cntrl, Top | 1 |
| | 10 | 1205781 | (00000000-) Spring, Return, Bail | 1 |
| | 11 | 1205143 | (00000000-) Shaft Assy, Bail, Handle | 1 |
| | 12 | 1205323 | (00000000-) Switch, 0.1a, Spdt [Micro, Straight] | 1 |
| | 13 | 1203795 | (00000000-) Housing, Handle, Cntrl, Bottom | 1 |
| | 14 | 1205799 | (00000000-) Screw, Btn, M5 X 0.8 X 16, 8.8, NI, Torx | 2 |
| | 15 | 1205778 | (00000000-) Handle, Bail [Machined] | 1 |
| | 16 | 1207004 | (00000000-) Cover, Handle, Cntrl | 1 |
| | N/S | 1072524 | (00000000-) Harness, Ele [Bail Switch] | 1 |

▽ ASSEMBLY

▲ INCLUDED IN ASSEMBLY

HANDLE GROUP, MEMBRANE PUSH MODEL

355325



HANDLE GROUP, MEMBRANE PUSH MODEL

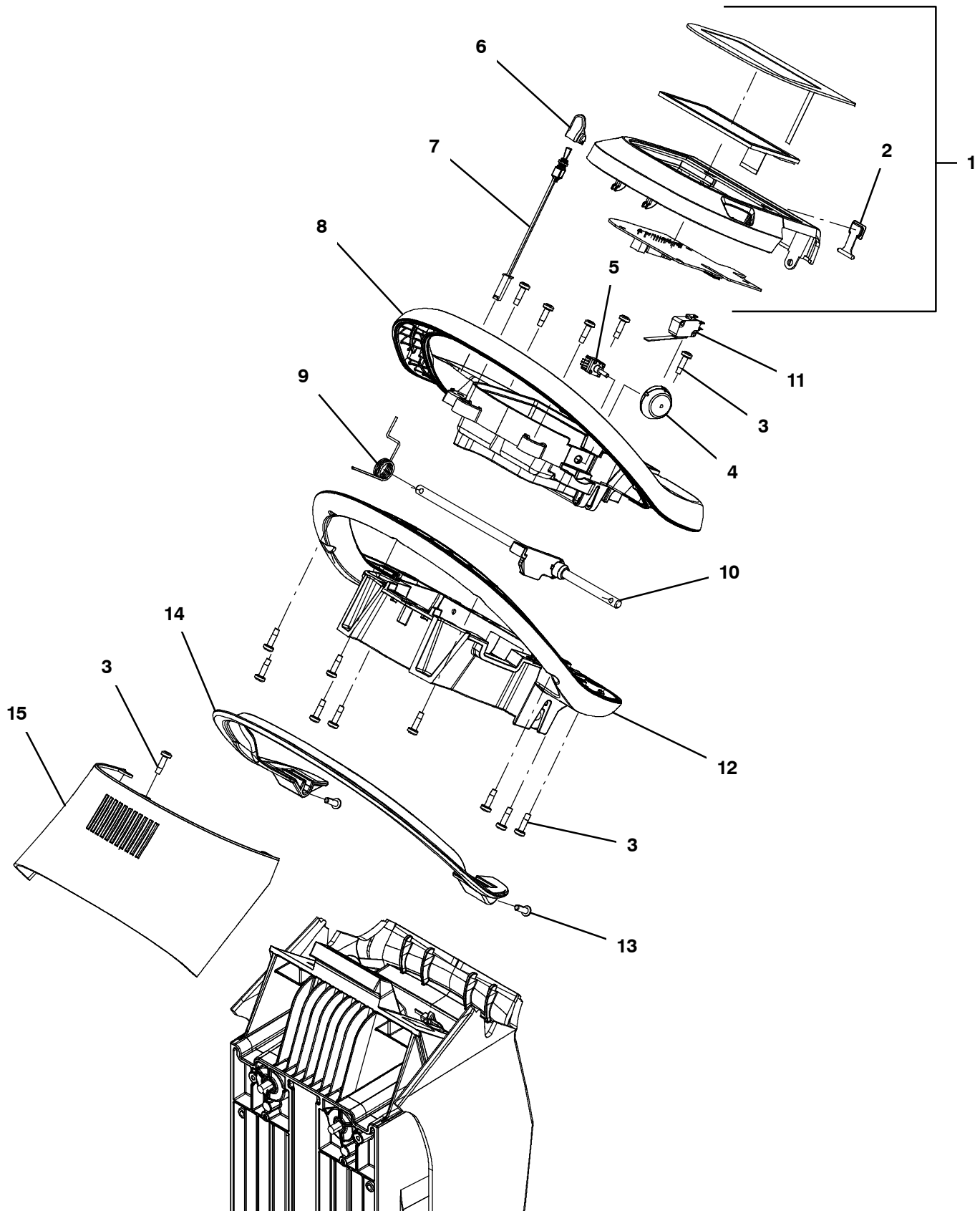
| | Ref. | Part No. | Serial Number | Description | Qty. |
|----|------|----------|---------------|---|------|
| ▽ | 1 | 9014132 | (00000000- |) Bezel Kit, Push, Membrane, Ci [T300] | 1 |
| ▲▽ | 2 | 9014138 | (00000000- |) Screen Kit, Push, Membrane, Ci [T300] | 1 |
| ▲▲ | 3 | 1205618 | (00000000- |) Cap, Usb | 1 |
| | 4 | 1043573 | (00000000- |) Screw, #10- 14 X 0.675, Spl[Shcs,Selftap] | 15 |
| | 5 | 1205323 | (00000000- |) Switch, 0.1a, Spdt [Micro, Straight] | 1 |
| | 6 | 1203787 | (00000000- |) Housing, Handle, Cntrl, Top | 1 |
| | 7 | 1205781 | (00000000- |) Spring, Return, Bail | 1 |
| | 8 | 1205143 | (00000000- |) Shaft Assy, Bail, Handle | 1 |
| | 9 | 1203795 | (00000000- |) Housing, Handle, Cntrl, Bottom | 1 |
| | 10 | 1205799 | (00000000- |) Screw, Btn, M5 X 0.8 X 16, 8.8, NI, Torx | 2 |
| | 11 | 1205778 | (00000000- |) Handle, Bail [Machined] | 1 |
| | 12 | 1207004 | (00000000- |) Cover, Handle, Cntrl | 1 |
| | N/S | 1072524 | (00000000- |) Harness, Ele [Bail Switch] | 1 |

▽ ASSEMBLY

▲ INCLUDED IN ASSEMBLY

HANDLE GROUP, PRO-PANEL (LCD) PROPEL MODEL

355322



HANDLE GROUP, PRO-PANEL (LCD) PROPEL MODEL

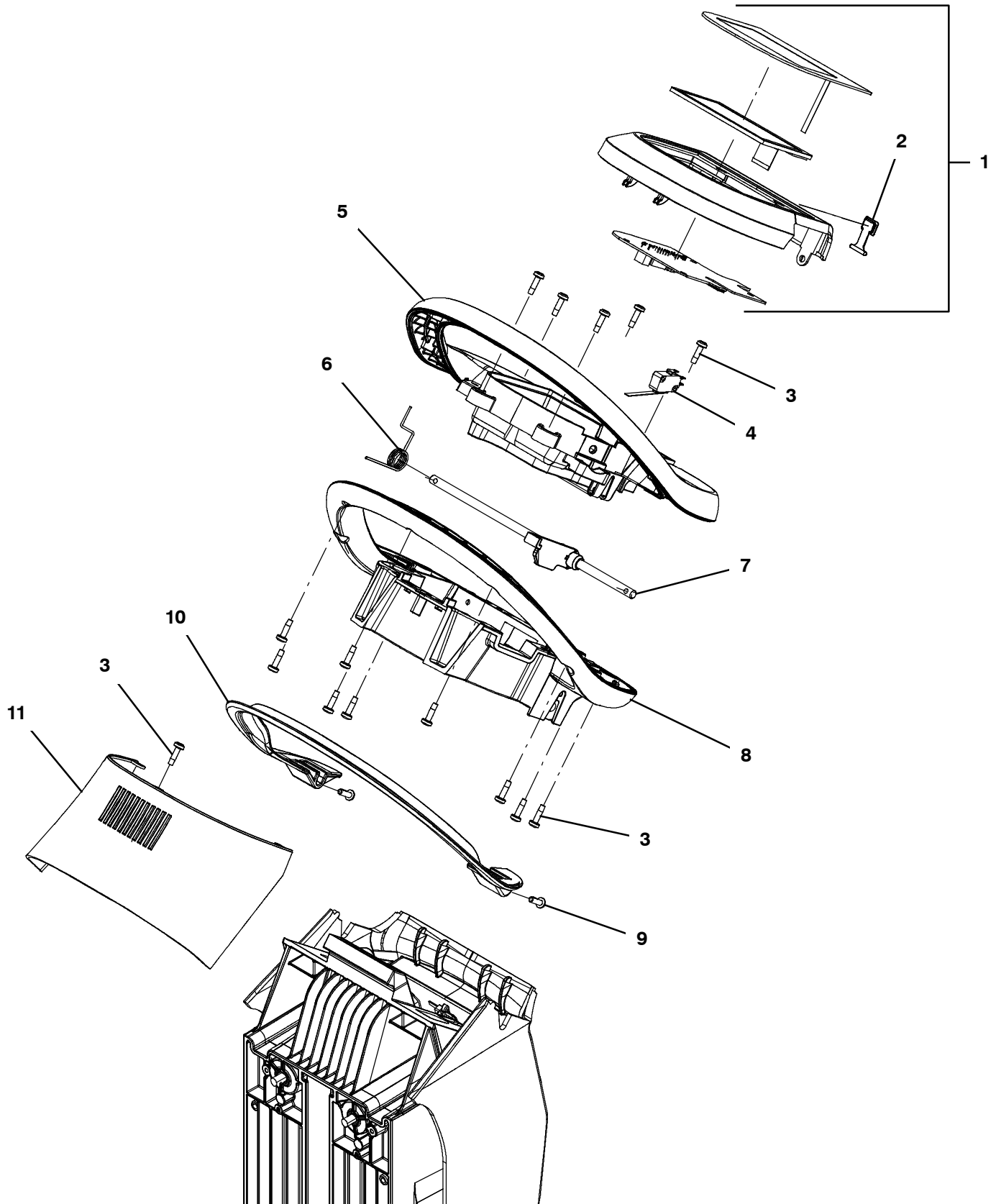
| Ref. | Part No. | Serial Number | Description | Qty. |
|------|----------|---------------|--|------|
| ▽ | 1 | 9014135 | (00000000-) Bezel Kit, Propel, Lcd, Ci [T300] | 1 |
| ▲ | 2 | 1205618 | (00000000-) Cap, Usb | 1 |
| | 3 | 1043573 | (00000000-) Screw, #10- 14 X 0.675, Spl[Shcs,Selftap] | 15 |
| | 4 | 1206586 | (00000000-) Dial, Range, Speed | 1 |
| | 5 | 1204930 | (00000000-) Potentiometer [100k, 1 Turn, B5/B7] | 1 |
| | 6 | 1209730 | (00000000-) Cap, Toggle, Direction | 1 |
| | 7 | 1209673 | (00000000-) Switch Assy, Toggle, Direction | 1 |
| | 8 | 1203787 | (00000000-) Housing, Handle, Cntrl, Top | 1 |
| | 9 | 1205781 | (00000000-) Spring, Return, Bail | 1 |
| | 10 | 1205143 | (00000000-) Shaft Assy, Bail, Handle | 1 |
| | 11 | 1205323 | (00000000-) Switch, 0.1a, Spdt [Micro, Straight] | 1 |
| | 12 | 1203795 | (00000000-) Housing, Handle, Cntrl, Bottom | 1 |
| | 13 | 1205799 | (00000000-) Screw, Btn, M5 X 0.8 X 16, 8.8, NI, Torx | 2 |
| | 14 | 1205778 | (00000000-) Handle, Bail [Machined] | 1 |
| | 15 | 1207004 | (00000000-) Cover, Handle, Cntrl | 1 |
| | N/S | 1072524 | (00000000-) Harness, Ele [Bail Switch] | 1 |

▽ ASSEMBLY

▲ INCLUDED IN ASSEMBLY

HANDLE GROUP, PRO-PANEL (LCD) PUSH MODEL

355323



HANDLE GROUP, PRO- PANEL (LCD) PUSH MODEL

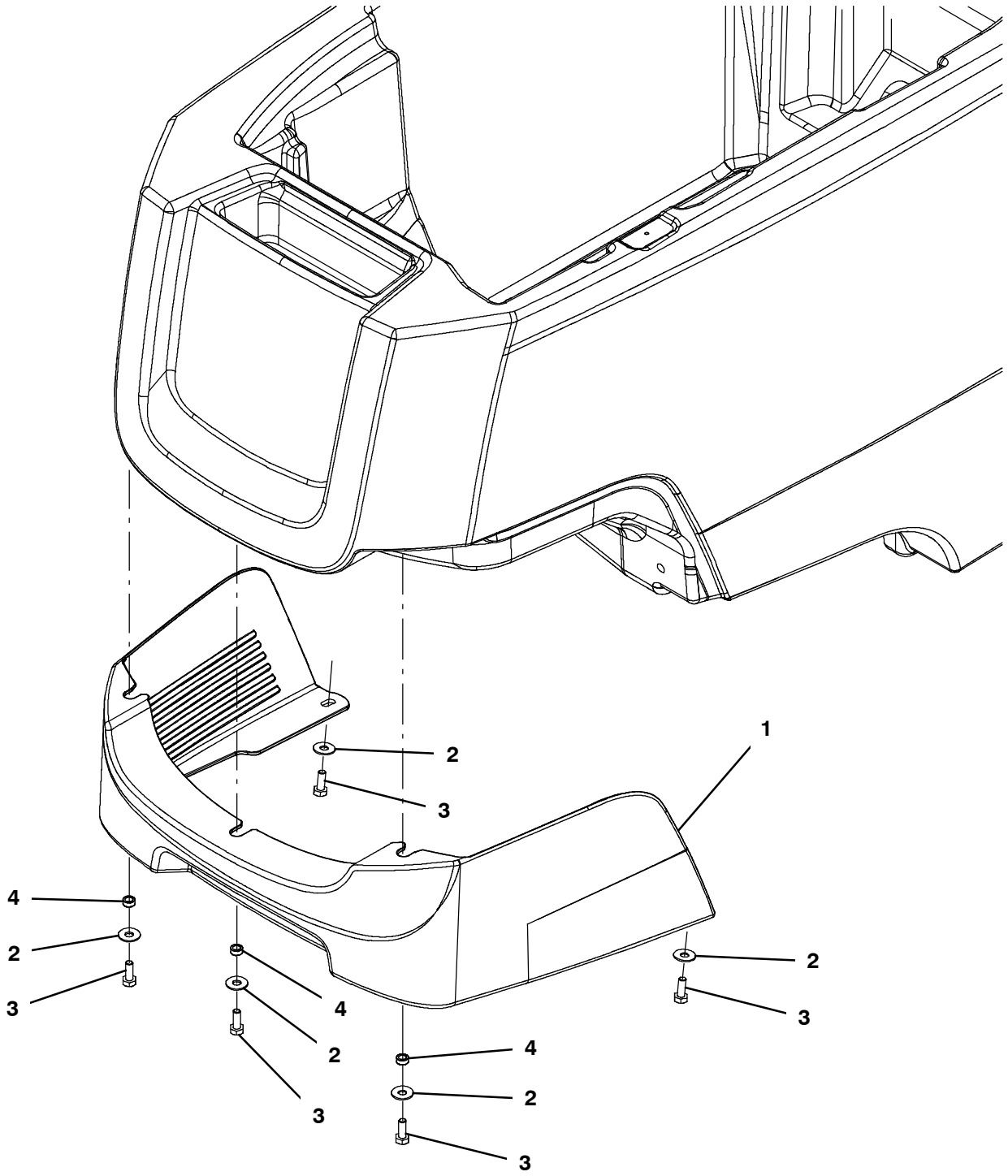
| | Ref. | Part No. | Serial Number | Description | Qty. |
|---|------|----------|---------------|---|------|
| ▽ | 1 | 9014134 | (00000000- |) Bezel Kit, Push, Lcd, Ci [T300] | 1 |
| ▲ | 2 | 1205618 | (00000000- |) Cap, Usb | 1 |
| | 3 | 1043573 | (00000000- |) Screw, #10- 14 X 0.675, Spl[Shcs,Selftap] | 15 |
| | 4 | 1205323 | (00000000- |) Switch, 0.1a, Spdt [Micro, Straight] | 1 |
| | 5 | 1203787 | (00000000- |) Housing, Handle, Cntrl, Top | 1 |
| | 6 | 1205781 | (00000000- |) Spring, Return, Bail | 1 |
| | 7 | 1205143 | (00000000- |) Shaft Assy, Bail, Handle | 1 |
| | 8 | 1203795 | (00000000- |) Housing, Handle, Cntrl, Bottom | 1 |
| | 9 | 1205799 | (00000000- |) Screw, Btn, M5 X 0.8 X 16, 8.8, NI, Torx | 2 |
| | 10 | 1205778 | (00000000- |) Handle, Bail [Machined] | 1 |
| | 11 | 1207004 | (00000000- |) Cover, Handle, Cntrl | 1 |
| | N/S | 1072524 | (00000000- |) Harness, Ele [Bail Switch] | 1 |

▽ ASSEMBLY

▲ INCLUDED IN ASSEMBLY

SHROUD GROUP, DISK AND ORBITAL HEAD

355299

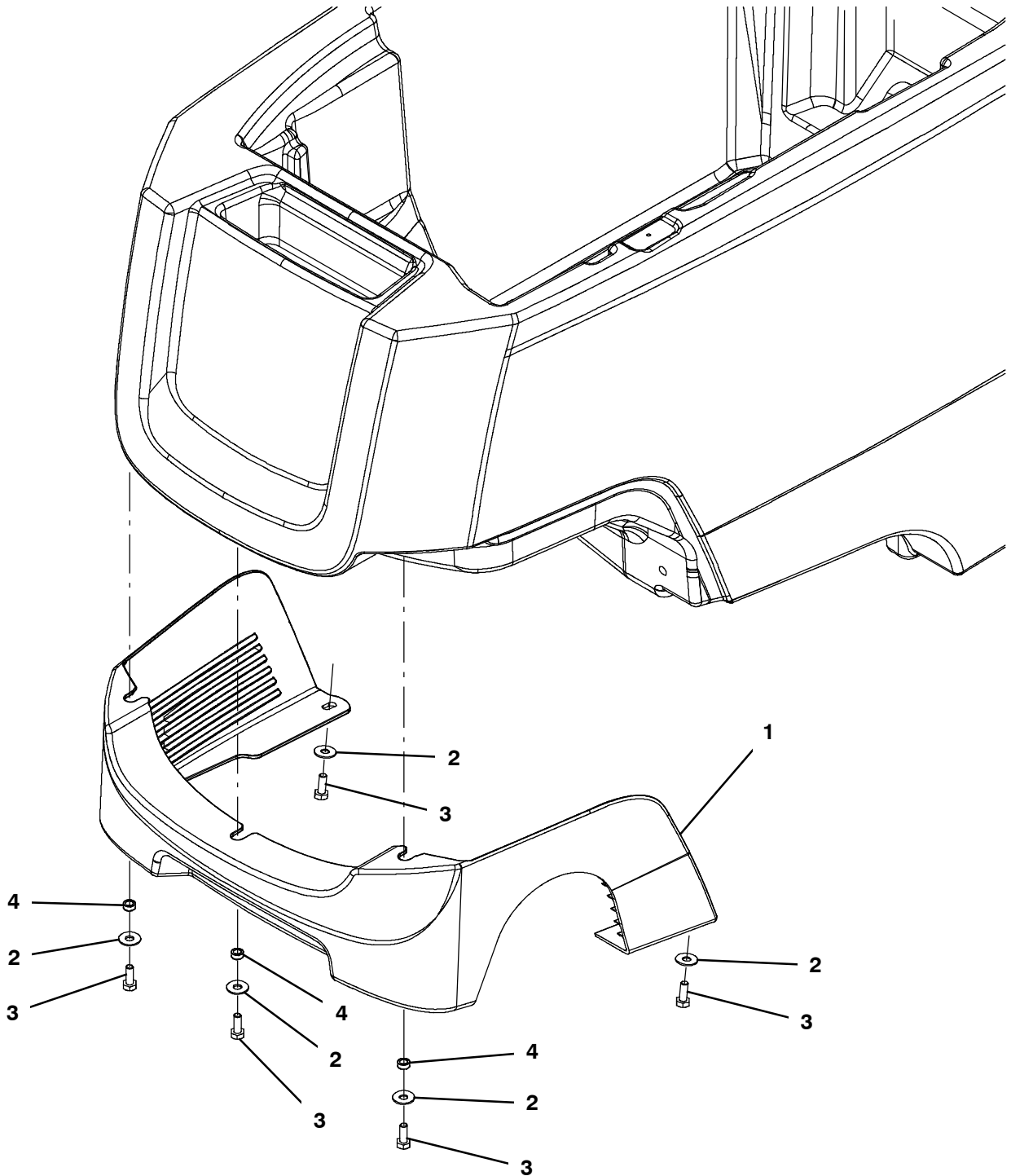


SHROUD GROUP, DISK AND ORBITAL HEAD

| Ref. | Part No. | Serial Number | Description | Qty. |
|------|----------|---------------|---|------|
| 1 | 1210029 | (00000000- |) Cover, Head, Disk, Im- Hg [T300] | 1 |
| 2 | 01684 | (00000000- |) Washer, Flat, 0.27b 0.69d .05, Ss | 5 |
| 3 | 11329 | (00000000- |) Screw, Hex, M6 X 1.00 X 16, NI, Ss | 5 |
| 4 | 80491 | (00000000- |) Sleeve, P/M, 0.25b 0.38d 0.2l [430ss] | 3 |

SHROUD GROUP, CYLINDRICAL HEAD

355300



SHROUD GROUP, CYLINDRICAL HEAD

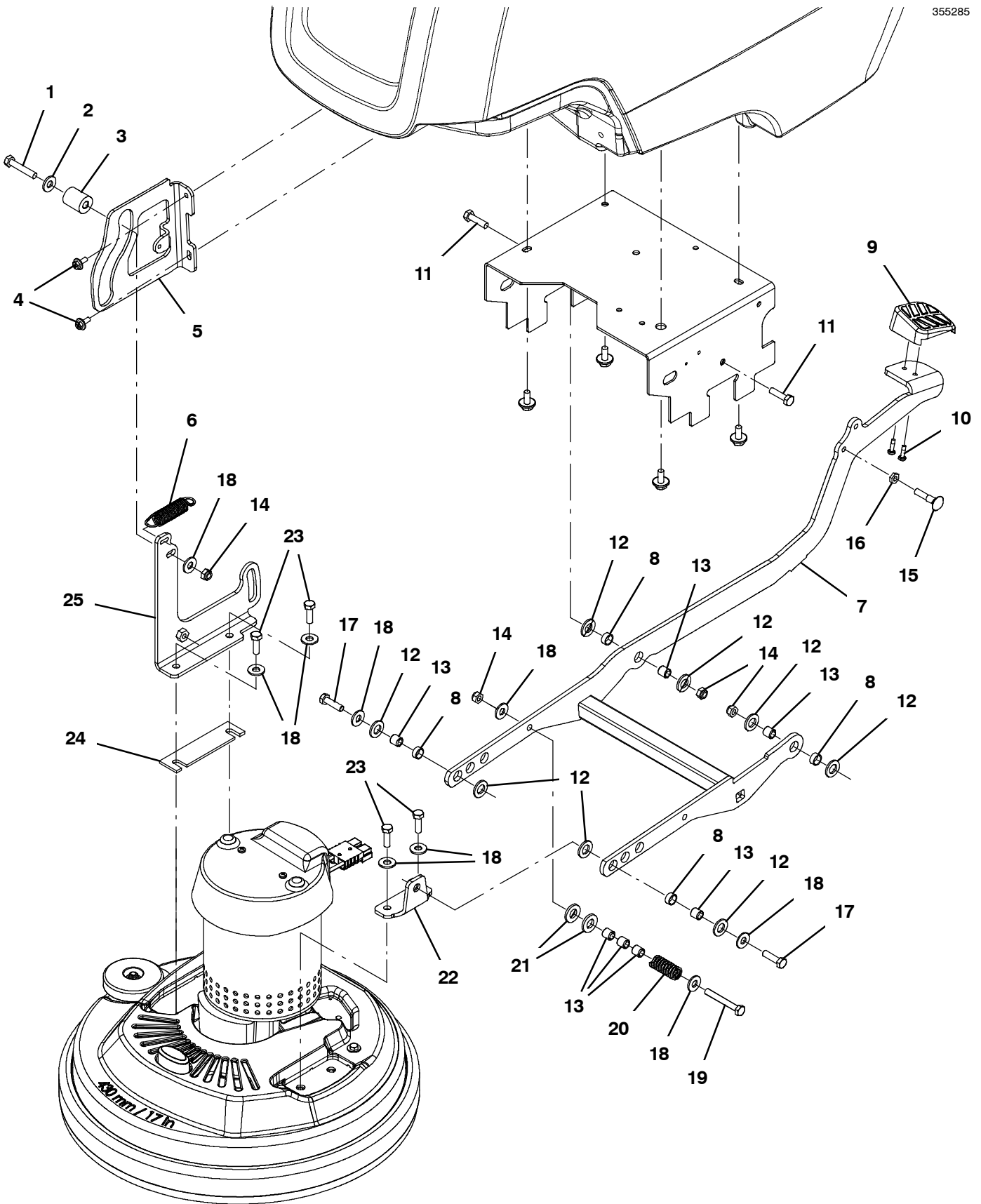
| Ref. | Part No. | Serial Number | Description | Qty. |
|------|----------|---------------|---|------|
| 1 | 1213570 | (00000000- |) Cover, Head, Cylrcl, Im- Hg [T300] | 1 |
| 2 | 01684 | (00000000- |) Washer, Flat, 0.27b 0.69d .05, Ss | 5 |
| 3 | 11329 | (00000000- |) Screw, Hex, M6 X 1.00 X 16, NI, Ss | 5 |
| 4 | 80491 | (00000000- |) Sleeve, P/M, 0.25b 0.38d 0.2l [430ss] | 3 |

▽ ASSEMBLY

▲ INCLUDED IN ASSEMBLY

SCRUB HEAD LIFT GROUP, 43CM DISK MODEL

355285



SCRUB HEAD LIFT GROUP, 43CM DISK MODEL

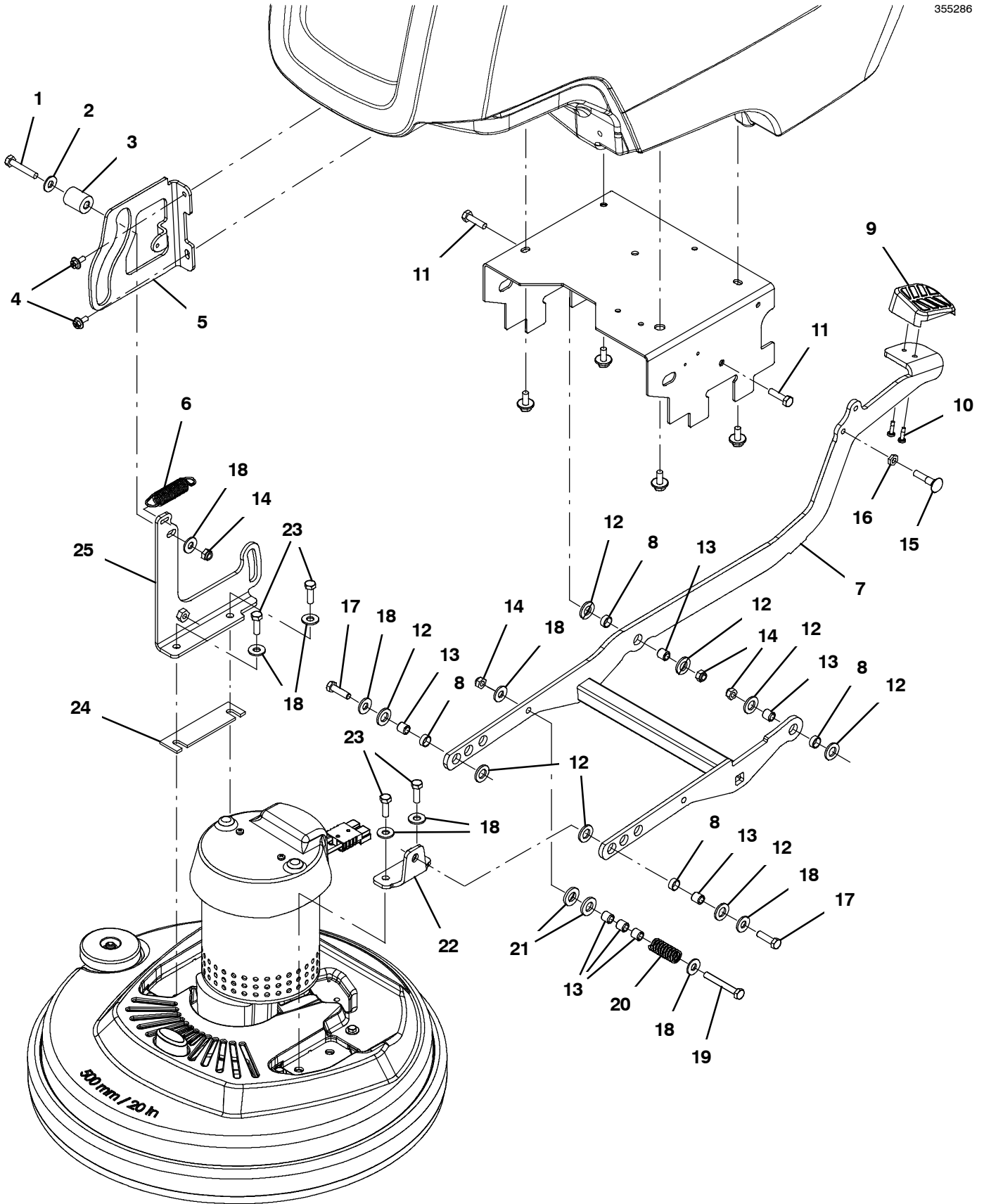
| Ref. | Part No. | Serial Number | Description | Qty. | |
|------|-----------|---------------|---|-------------------------------------|---|
| 1 | 49694 | (00000000- |) Screw, Hex, M8 X 1.25 X 50, Ss | 1 | |
| 2 | 01685 | (00000000- |) Washer, Flat, 0.38b 0.88d .08, Ss | 1 | |
| 3 | 1214039 | (00000000- |) Roller, Lift, Head | 1 | |
| 4 | 1034731 | (00000000- |) Screw, Hex, M6 X 1.00 X 16, Sems, Ss | 2 | |
| 5 | 1213063 | (00000000- |) Bracket, Guide, Head [Vw] | 1 | |
| 6 | 1031776 | (00000000- |) Spring, Extn, 0.75od 0.09wir 03.2l | 1 | |
| ▽ | 7 | 9014170 | (00000000- |) Kit, Lift, Head[T300/T300e/Ss300] | 1 |
| ▲ | 8 | 630188 | (00000000- |) Bearing, Journal, .50id X .25l | 8 |
| 9 | 1209093 | (00000000- |) Cover, Pedal | 1 | |
| 10 | 1043573 | (00000000- |) Screw, #10- 14 X 0.675, Spl[Shcs,Selftap] | 2 | |
| 11 | 09011 | (00000000- |) Screw, Hex, M8 X 1.25 X 30, Ss | 2 | |
| 12 | 1013936 | (00000000- |) Washer, Flat, 0.51b 0.94d .10, Nyl | 8 | |
| 13 | 222460 | (00000000- |) Sleeve, P/M, 0.32b 0.50d 0.5l [430ss] | 7 | |
| 14 | 08713 | (00000000- |) Nut, Hex, Lock, M8 X 1.25, NI, Ss | 4 | |
| 15 | 69915 | (00000000- |) Bolt, Carriage, M8 X 1.25 X 40 | 1 | |
| 16 | 200101017 | (00000000- |) Nut, Hex, Jam, M8 X 1.25 | 1 | |
| 17 | 1016399 | (00000000- |) Screw, Hex, M8 X 1.25 X 30, NI, Ss | 2 | |
| 18 | 01685 | (00000000- |) Washer, Flat, 0.38b 0.88d .08, Ss | 9 | |
| 19 | 1014163 | (00000000- |) Screw, Hex, M8 X 1.25 X 60, FI, Ss | 1 | |
| 20 | 140430 | (00000000- |) Spring, Cmpr, 0.70od .10wir 01.7l | 1 | |
| 21 | 140127 | (00000000- |) Washer, Thrust, 0.51b 1.00d 0.12w, Brz | 2 | |
| 22 | 1210258 | (00000000- |) Bracket Wldt, Head Mtg, 43d/50d, Short | 1 | |
| 23 | 12333 | (00000000- |) Screw, Hex, M8 X 1.25 X 25, Ss, NI | 4 | |
| 24 | 1032791 | (00000000- |) Spacer, Head, 4mm [Ss3] (Push Model) | 1 | |
| 25 | 1210256 | (00000000- |) Bracket Wldt, Mtg, Head, 50d, Tall [Vw] | 1 | |

▽ ASSEMBLY

▲ INCLUDED IN ASSEMBLY

SCRUB HEAD LIFT GROUP, 50CM DISK MODEL

355286



SCRUB HEAD LIFT GROUP, 50CM DISK MODEL

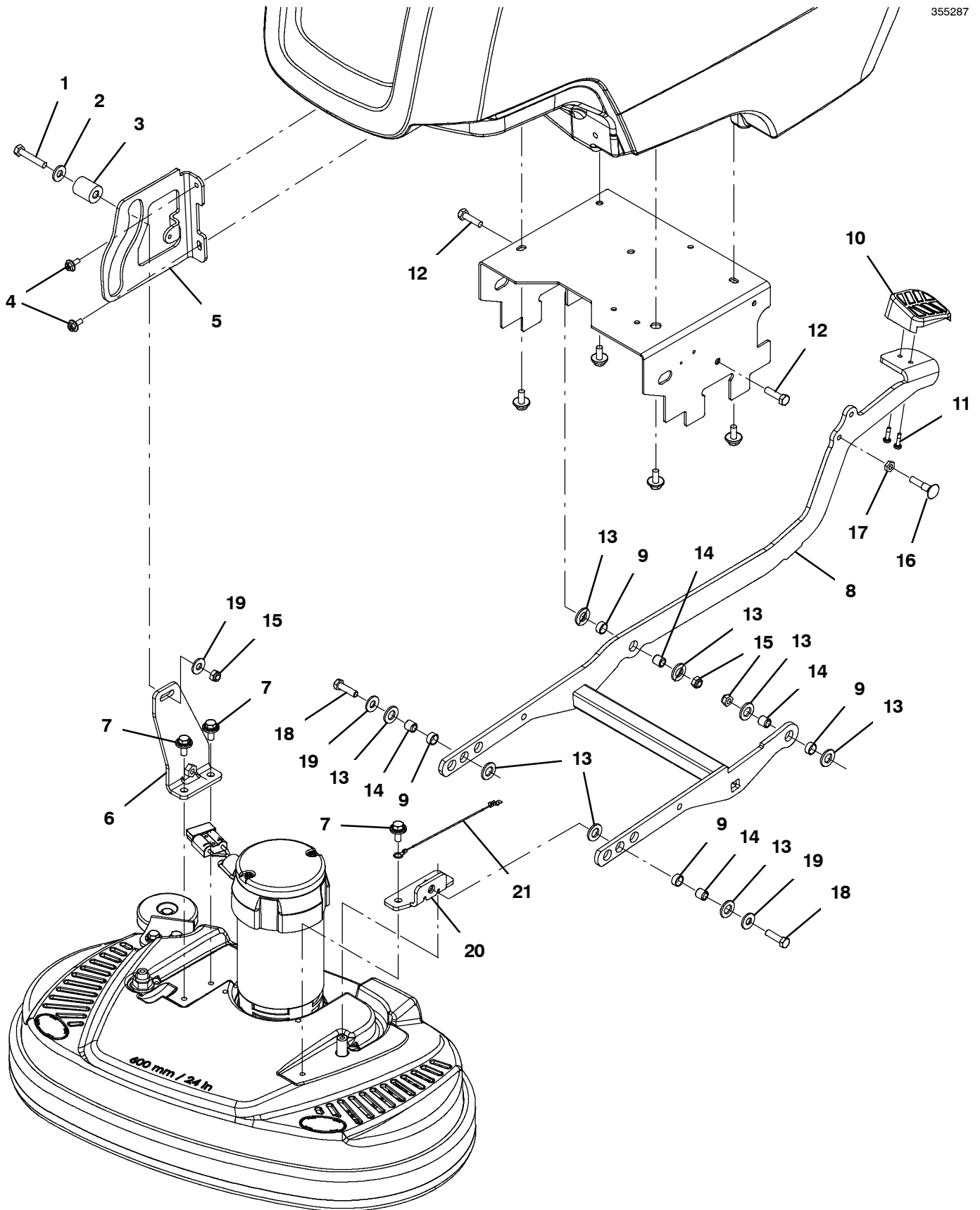
| Ref. | Part No. | Serial Number | Description | Qty. | |
|------|-----------|---------------|---|-------------------------------------|---|
| 1 | 49694 | (00000000- |) Screw, Hex, M8 X 1.25 X 50, Ss | 1 | |
| 2 | 01685 | (00000000- |) Washer, Flat, 0.38b 0.88d .08, Ss | 1 | |
| 3 | 1214039 | (00000000- |) Roller, Lift, Head | 1 | |
| 4 | 1034731 | (00000000- |) Screw, Hex, M6 X 1.00 X 16, Sems, Ss | 2 | |
| 5 | 1213063 | (00000000- |) Bracket, Guide, Head [Vw] | 1 | |
| 6 | 1031776 | (00000000- |) Spring, Extn, 0.75od 0.09wir 03.2l | 1 | |
| ▽ | 7 | 9014170 | (00000000- |) Kit, Lift, Head[T300/T300e/Ss300] | 1 |
| ▲ | 8 | 630188 | (00000000- |) Bearing, Journal, .50id X .25l | 8 |
| 9 | 1209093 | (00000000- |) Cover, Pedal | 1 | |
| 10 | 1043573 | (00000000- |) Screw, #10- 14 X 0.675, Spl[Shcs,Selftap] | 2 | |
| 11 | 09011 | (00000000- |) Screw, Hex, M8 X 1.25 X 30, Ss | 2 | |
| 12 | 1013936 | (00000000- |) Washer, Flat, 0.51b 0.94d .10, Nyl | 8 | |
| 13 | 222460 | (00000000- |) Sleeve, P/M, 0.32b 0.50d 0.5l [430ss] | 7 | |
| 14 | 08713 | (00000000- |) Nut, Hex, Lock, M8 X 1.25, NI, Ss | 4 | |
| 15 | 69915 | (00000000- |) Bolt, Carriage, M8 X 1.25 X 40 | 1 | |
| 16 | 200101017 | (00000000- |) Nut, Hex, Jam, M8 X 1.25 | 1 | |
| 17 | 1016399 | (00000000- |) Screw, Hex, M8 X 1.25 X 30, NI, Ss | 2 | |
| 18 | 01685 | (00000000- |) Washer, Flat, 0.38b 0.88d .08, Ss | 9 | |
| 19 | 1014163 | (00000000- |) Screw, Hex, M8 X 1.25 X 60, FI, Ss | 1 | |
| 20 | 140430 | (00000000- |) Spring, Cmpr, 0.70od .10wir 01.7l | 1 | |
| 21 | 140127 | (00000000- |) Washer, Thrust, 0.51b 1.00d 0.12w, Brz | 2 | |
| 22 | 1210258 | (00000000- |) Bracket Wldt, Head Mtg, 43d/50d, Short | 1 | |
| 23 | 12333 | (00000000- |) Screw, Hex, M8 X 1.25 X 25, Ss, NI | 4 | |
| 24 | 1032791 | (00000000- |) Spacer, Head, 4mm [Ss3] (Push Model) | 1 | |
| 25 | 1210256 | (00000000- |) Bracket Wldt, Mtg, Head, 50d, Tall [Vw] | 1 | |

▽ ASSEMBLY

▲ INCLUDED IN ASSEMBLY

SCRUB HEAD LIFT GROUP, 60CM DUAL DISK MODEL

355287



SCRUB HEAD LIFT GROUP, 60CM DUAL DISK MODEL

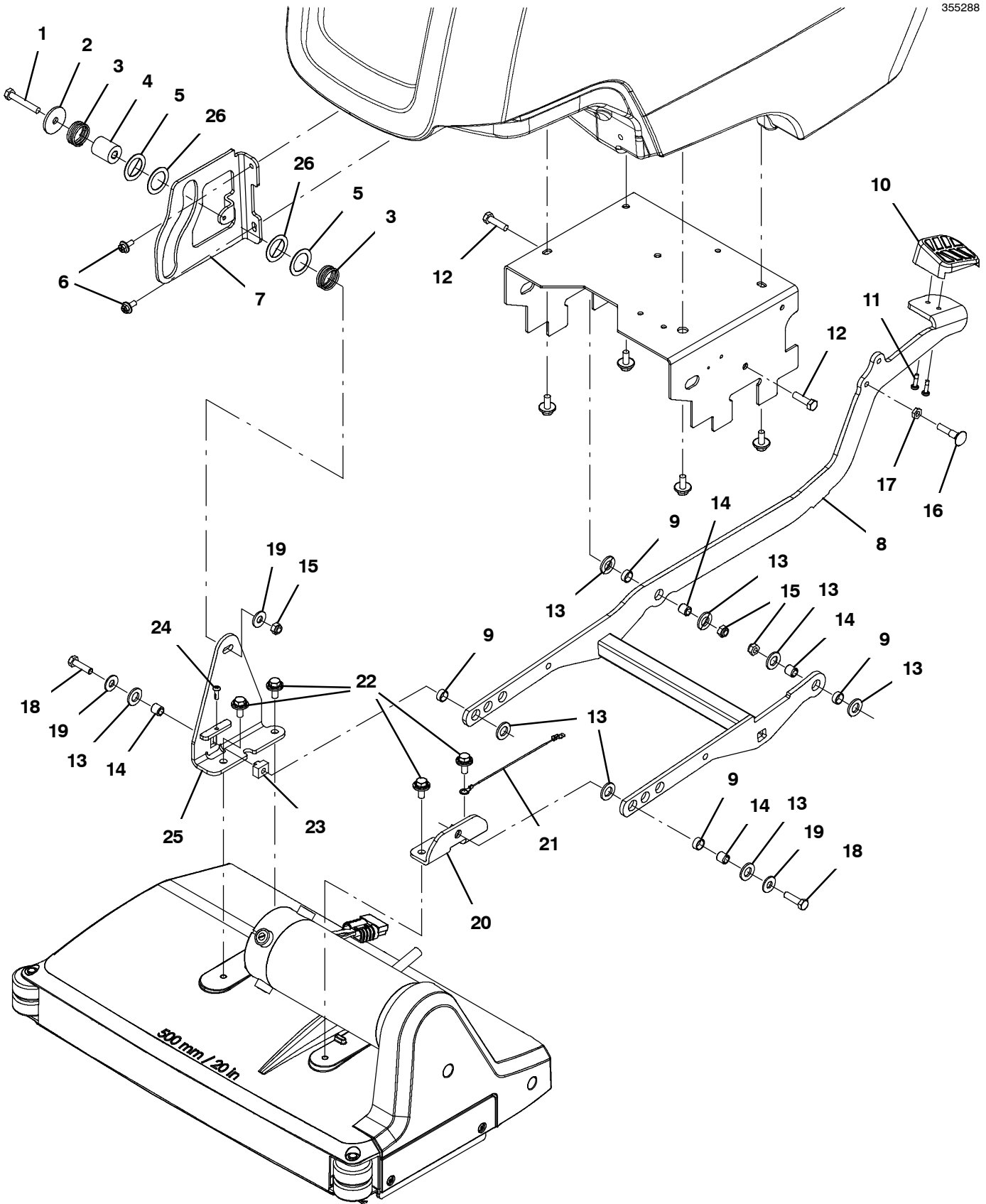
| Ref. | Part No. | Serial Number | Description | Qty. |
|------|-----------|---------------|---|------|
| 1 | 49694 | (00000000- |) Screw, Hex, M8 X 1.25 X 50, Ss | 1 |
| 2 | 01685 | (00000000- |) Washer, Flat, 0.38b 0.88d .08, Ss | 1 |
| 3 | 1214039 | (00000000- |) Roller, Lift, Head | 1 |
| 4 | 1034731 | (00000000- |) Screw, Hex, M6 X 1.00 X 16, Sems, Ss | 2 |
| 5 | 1213063 | (00000000- |) Bracket, Guide, Head [Vw] | 1 |
| 6 | 1213220 | (00000000- |) Bracket Wldt, Mtg, Head, 60dd, Tall [Vw] | 1 |
| 7 | 1020341 | (00000000- |) Screw, Hex, M8 X 1.25 X 20, Ss, Sems | 3 |
| ▽ | 8 | 9014170 | (00000000-) Kit, Lift, Head[T300/T300e/Ss300] | 1 |
| ▲ | 9 | 630188 | (00000000-) Bearing, Journal, .50id X .25l | 8 |
| 10 | 1209093 | (00000000- |) Cover, Pedal | 1 |
| 11 | 1043573 | (00000000- |) Screw, #10- 14 X 0.675, Spl[Shcs,Selftap] | 2 |
| 12 | 09011 | (00000000- |) Screw, Hex, M8 X 1.25 X 30, Ss | 2 |
| 13 | 1013936 | (00000000- |) Washer, Flat, 0.51b 0.94d .10, Nyl | 8 |
| 14 | 222460 | (00000000- |) Sleeve, P/M, 0.32b 0.50d 0.5l [430ss] | 4 |
| 15 | 08713 | (00000000- |) Nut, Hex, Lock, M8 X 1.25, NI, Ss | 3 |
| 16 | 69915 | (00000000- |) Bolt, Carriage, M8 X 1.25 X 40 | 1 |
| 17 | 200101017 | (00000000- |) Nut, Hex, Jam, M8 X 1.25 | 1 |
| 18 | 1016399 | (00000000- |) Screw, Hex, M8 X 1.25 X 30, NI, Ss | 2 |
| 19 | 01685 | (00000000- |) Washer, Flat, 0.38b 0.88d .08, Ss | 3 |
| 20 | 1213224 | (00000000- |) Bracket Wldt, Mtg, Head, 60dd, Short[Vw] | 1 |
| 21 | 1074344 | (00000000- |) Harness, Ele [Ring With .250m Tail] | 1 |

▽ ASSEMBLY

▲ INCLUDED IN ASSEMBLY

SCRUB HEAD LIFT GROUP, 50CM CYLINDRICAL MODEL

355288



SCRUB HEAD LIFT GROUP, 50CM CYLINDRICAL MODEL

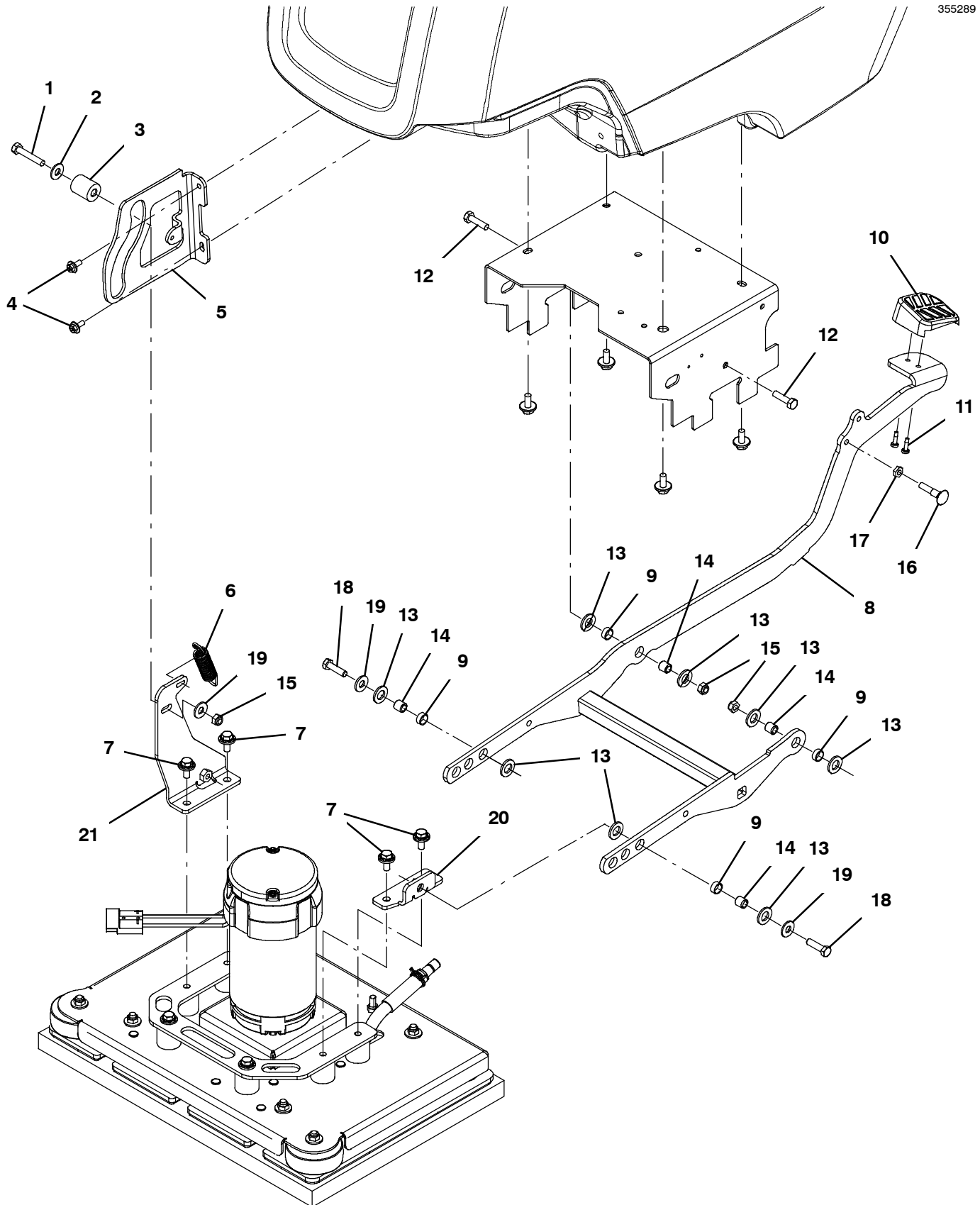
| Ref. | Part No. | Serial Number | Description | Qty. |
|------|-----------|---------------|---|------|
| 1 | 49694 | (00000000- |) Screw, Hex, M8 X 1.25 X 50, Ss | 1 |
| 2 | 379829 | (00000000- |) Washer, Flat, 0.34b 1.50d .12, Stl, Pl | 1 |
| 3 | 1210103 | (00000000- |) Spring, Cmpr, 1.23od 0.085wir 0.88l | 2 |
| 4 | 1214039 | (00000000- |) Roller, Lift, Head | 1 |
| 5 | 20955 | (00000000- |) Washer, Flat, 1.03b 1.50d .04, Stl, Pl | 2 |
| 6 | 1034731 | (00000000- |) Screw, Hex, M6 X 1.00 X 16, Sems, Ss | 2 |
| 7 | 1213063 | (00000000- |) Bracket, Guide, Head [Vw] | 1 |
| ▽ | 8 | 9014170 | (00000000-) Kit, Lift, Head[T300/T300e/Ss300] | 1 |
| ▲ | 9 | 630188 | (00000000-) Bearing, Journal, .50id X .25l | 8 |
| 10 | 1209093 | (00000000- |) Cover, Pedal | 1 |
| 11 | 1043573 | (00000000- |) Screw, #10- 14 X 0.675, Spl[Shcs,Selftap] | 2 |
| 12 | 09011 | (00000000- |) Screw, Hex, M8 X 1.25 X 30, Ss | 2 |
| 13 | 1013936 | (00000000- |) Washer, Flat, 0.51b 0.94d .10, Nyl | 8 |
| 14 | 222460 | (00000000- |) Sleeve, P/M, 0.32b 0.50d 0.5l [430ss] | 4 |
| 15 | 08713 | (00000000- |) Nut, Hex, Lock, M8 X 1.25, NI, Ss | 3 |
| 16 | 69915 | (00000000- |) Bolt, Carriage, M8 X 1.25 X 40 | 1 |
| 17 | 200101017 | (00000000- |) Nut, Hex, Jam, M8 X 1.25 | 1 |
| 18 | 1016399 | (00000000- |) Screw, Hex, M8 X 1.25 X 30, NI, Ss | 2 |
| 19 | 01685 | (00000000- |) Washer, Flat, 0.38b 0.88d .08, Ss | 3 |
| 20 | 1213226 | (00000000- |) Bracket Wldt, Mtg, Head, 50cyl [Short] | 1 |
| 21 | 1074344 | (00000000- |) Harness, Ele [Ring With .250m Tail] | 1 |
| 22 | 1020341 | (00000000- |) Screw, Hex, M8 X 1.25 X 20, Ss, Sems | 4 |
| 23 | 1208531 | (00000000- |) Nut, T, M8 X 1.25 | 1 |
| 24 | 1205799 | (00000000- |) Screw, Btn, M5 X 0.8 X 16, 8.8, NI, Torx | 1 |
| 25 | 1216222 | (00000000- |) Bracket Wldt, Mtg, Head | 1 |
| 26 | 1210112 | (00000000- |) Washer, Flat, 1.03b 1.50d .03, Nylon | 2 |

▽ ASSEMBLY

▲ INCLUDED IN ASSEMBLY

SCRUB HEAD LIFT GROUP, 50CM ORBITAL MODEL

355289



SCRUB HEAD LIFT GROUP, 50CM ORBITAL MODEL

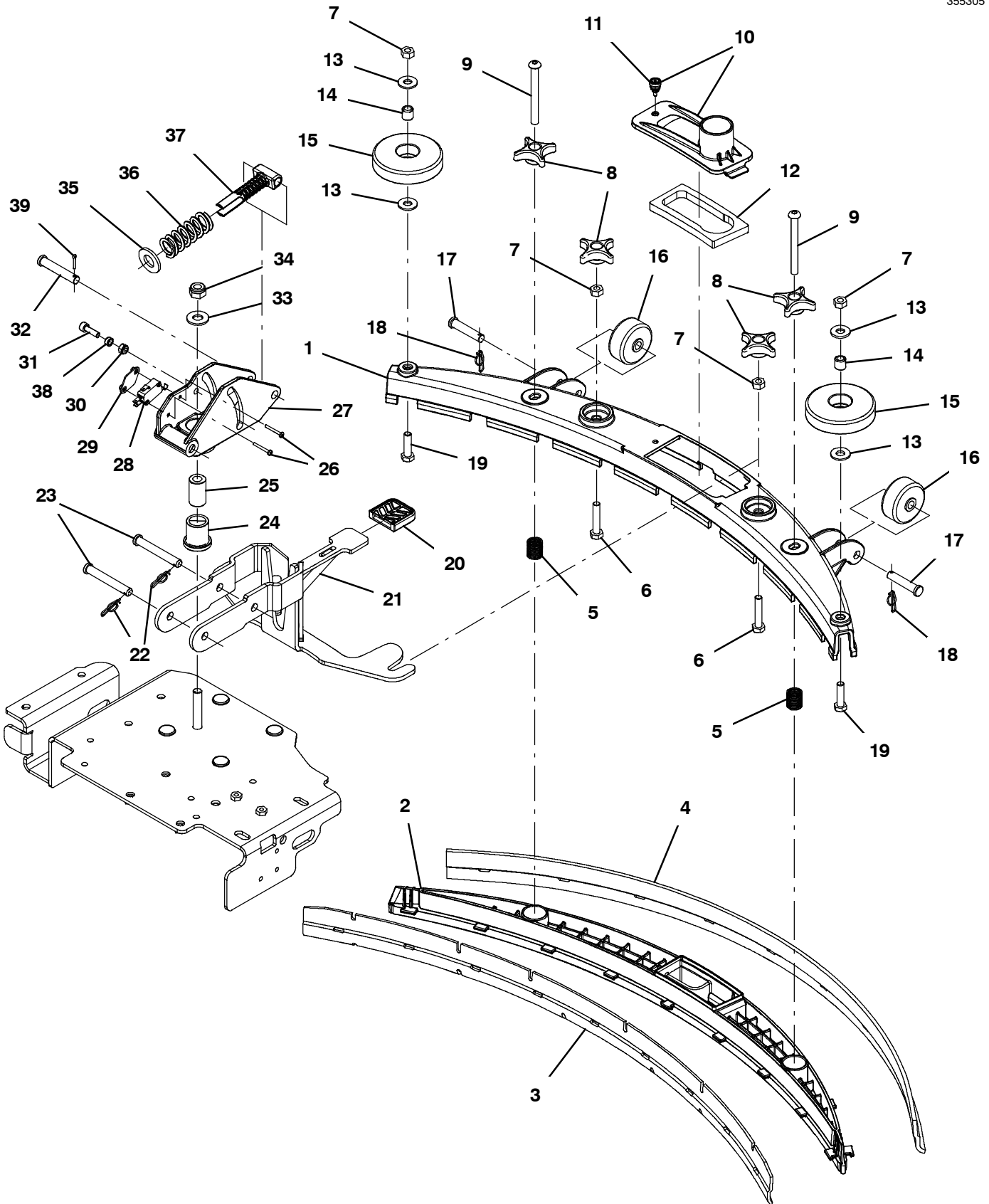
| Ref. | Part No. | Serial Number | Description | Qty. |
|------|-----------|---------------|---|------|
| 1 | 49694 | (00000000- |) Screw, Hex, M8 X 1.25 X 50, Ss | 1 |
| 2 | 01685 | (00000000- |) Washer, Flat, 0.38b 0.88d .08, Ss | 1 |
| 3 | 1214039 | (00000000- |) Roller, Lift, Head | 1 |
| 4 | 1034731 | (00000000- |) Screw, Hex, M6 X 1.00 X 16, Sems, Ss | 2 |
| 5 | 1213063 | (00000000- |) Bracket, Guide, Head [Vw] | 1 |
| 6 | 1031776 | (00000000- |) Spring, Extn, 0.75od 0.09wir 03.2l | 1 |
| 7 | 1020341 | (00000000- |) Screw, Hex, M8 X 1.25 X 20, Ss, Sems | 4 |
| ▽ | 8 | 9014170 | (00000000-) Kit, Lift, Head[T300/T300e/Ss300] | 1 |
| ▲ | 9 | 630188 | (00000000-) Bearing, Journal, .50id X .25l | 8 |
| 10 | 1209093 | (00000000- |) Cover, Pedal | 1 |
| 11 | 1043573 | (00000000- |) Screw, #10- 14 X 0.675, Spl[Shcs,Selftap] | 2 |
| 12 | 09011 | (00000000- |) Screw, Hex, M8 X 1.25 X 30, Ss | 2 |
| 13 | 1013936 | (00000000- |) Washer, Flat, 0.51b 0.94d .10, Nyl | 8 |
| 14 | 222460 | (00000000- |) Sleeve, P/M, 0.32b 0.50d 0.5l [430ss] | 4 |
| 15 | 08713 | (00000000- |) Nut, Hex, Lock, M8 X 1.25, NI, Ss | 3 |
| 16 | 69915 | (00000000- |) Bolt, Carriage, M8 X 1.25 X 40 | 1 |
| 17 | 200101017 | (00000000- |) Nut, Hex, Jam, M8 X 1.25 | 1 |
| 18 | 1016399 | (00000000- |) Screw, Hex, M8 X 1.25 X 30, NI, Ss | 2 |
| 19 | 01685 | (00000000- |) Washer, Flat, 0.38b 0.88d .08, Ss | 3 |
| 20 | 1212572 | (00000000- |) Bracket Wldt, Mtg, Head, Orb, Short [Vw] | 1 |
| 21 | 1213223 | (00000000- |) Bracket Wldt, Mtg, Head, Orb, Tall [Vw] | 1 |

▽ ASSEMBLY

▲ INCLUDED IN ASSEMBLY

SQUEEGEE GROUP

355305

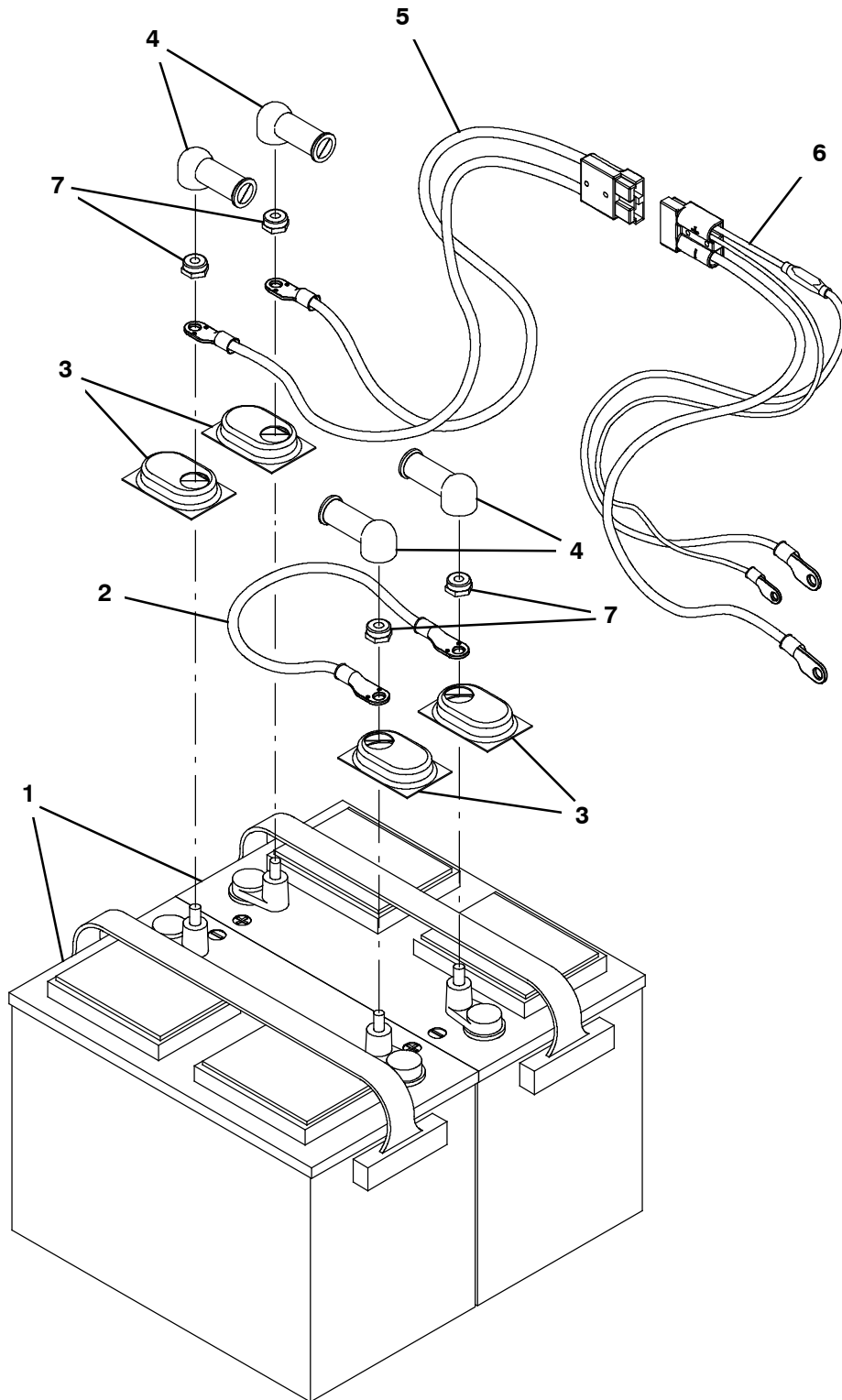


SQUEEGEE GROUP

| Ref. | Part No. | Serial Number | Description | Qty. |
|------|------------|---------------|--|------|
| ▽ | 9014172 | (00000000- |) Squeegee Kit, Linatex, Am [T300/E/Ss300] | 1 |
| ▲ | 1 1215681 | (00000000- |) Frame, Sqge, 50cm, Mach [T300] | 1 |
| ▲ | 2 1203638 | (00000000- |) Retainer, Sqge [T300] | 1 |
| ▲ | 3 1203954 | (00000000- |) Blade, Sqge, Front, 788l, Linatex[500mm] | 1 |
| ▲ | 4 1203953 | (00000000- |) Blade, Sqge, Rear, 836l, Linatex[500mm] | 1 |
| ▲ | 5 22290 | (00000000- |) Spring, Cmpr, 0.72od .06wir 02.3l | 2 |
| ▲ | 6 09023 | (00000000- |) Screw, Hex, M8 X 1.25 X 35, Fl, Ss | 2 |
| ▲ | 7 07786 | (00000000- |) Nut, Hex, Std, M8 X 1.25, Ss | 4 |
| ▲ | 8 1213677 | (00000000- |) Knob, Star, 2.00od 4ear M8x1.25 [Yel] | 4 |
| ▲ | 9 1212755 | (00000000- |) Screw, Btn, Soc, M8x1.25x80, Ss | 2 |
| ▲▽ | 10 1209631 | (00000000- |) Cover, Trap, Water, Sqge | 1 |
| ▲▲ | 11 1212683 | (00000000- |) Screw, Captive, M5, Knurled [Snap In] | 1 |
| ▲ | 12 1210756 | (00000000- |) Gasket, Trap, Water, Sqge | 1 |
| ▲ | 13 140027 | (00000000- |) Washer, Flat, 0.35b 0.75d .04, Ss | 4 |
| ▲ | 14 222460 | (00000000- |) Sleeve, P/M, 0.32b 0.50d 0.5l [430ss] | 2 |
| ▲ | 15 1010560 | (00000000- |) Wheel, Bmpr, 80d X 25w, Non- Marking | 2 |
| ▲ | 16 630477 | (00000000- |) Wheel, Pyu, 02.0d 0.38w, Gray | 2 |
| ▲ | 17 17461 | (00000000- |) Pin, Clevis, 0.37d X 1.75l | 2 |
| ▲ | 18 1216647 | (00000000- |) Pin, Cotter, Hair, 0.38d .054 Wir | 2 |
| ▲ | 19 1016399 | (00000000- |) Screw, Hex, M8 X 1.25 X 30, NI, Ss | 2 |
| | 20 1212533 | (00000000- |) Cover, Pedal, Lift | 1 |
| | 21 1209112 | (00000000- |) Bracket Wldt, Mtg, Sqge [T300] | 1 |
| | 22 1216647 | (00000000- |) Pin, Cotter, Hair, 0.38d .054 Wir | 2 |
| | 23 391179 | (00000000- |) Pin, Clevis, 0.37d X 2.62l | 2 |
| | 24 1214466 | (00000000- |) Bushing, Flng, 0.75b 1.00d 1.25l, Bnz | 1 |
| | 25 1214467 | (00000000- |) Sleeve, P/M, 0.41b 0.75d 1.3l [430ss] | 1 |
| | 26 33933 | (00000000- |) Screw, Pan, Phl, M3 X 0.50 X 25, Ss | 1 |
| | 27 1210254 | (00000000- |) Bracket, Lift, Sqge, Alm, Mach [T300] | 1 |
| | 28 1215716 | (00000000- |) Switch, 0.1a, Spdt[Micro, Gold Contacts] | 1 |
| | 29 1013705 | (00000000- |) Plate, Thread, Switch, M3 Nut, 96hr PI | 1 |
| | 30 08712 | (00000000- |) Nut, Hex, Lock, M6 X 1.00, NI, Ss | 1 |
| | 31 33951 | (00000000- |) Screw, Soc, M6 X 1.00 X 20, 12.9 | 1 |
| | 32 51813 | (00000000- |) Pin, Clevis, 0.37d X 2.12l | 1 |
| | 33 01686 | (00000000- |) Washer, Flat, 0.44b 1.00d .08, Ss | 1 |
| | 34 08714 | (00000000- |) Nut, Hex, Lock, M10 X 1.5, NI, Ss | 1 |
| | 35 69954 | (00000000- |) Washer, Thrust, 0.63b 1.25d 0.13w | 1 |
| | 36 1215756 | (00000000- |) Spring, Cmpr, 0.98od .146wir 02.5l | 1 |
| | 37 1209782 | (00000000- |) Pin, Guide, Spring | 1 |
| | 38 80491 | (00000000- |) Sleeve, P/M, 0.25b 0.38d 0.2l [430ss] | 1 |
| | 39 08182 | (00000000- |) Pin, Cotter, .125 X 1.00 | 1 |

BATTERY GROUP, 105AH C20 WET

355312

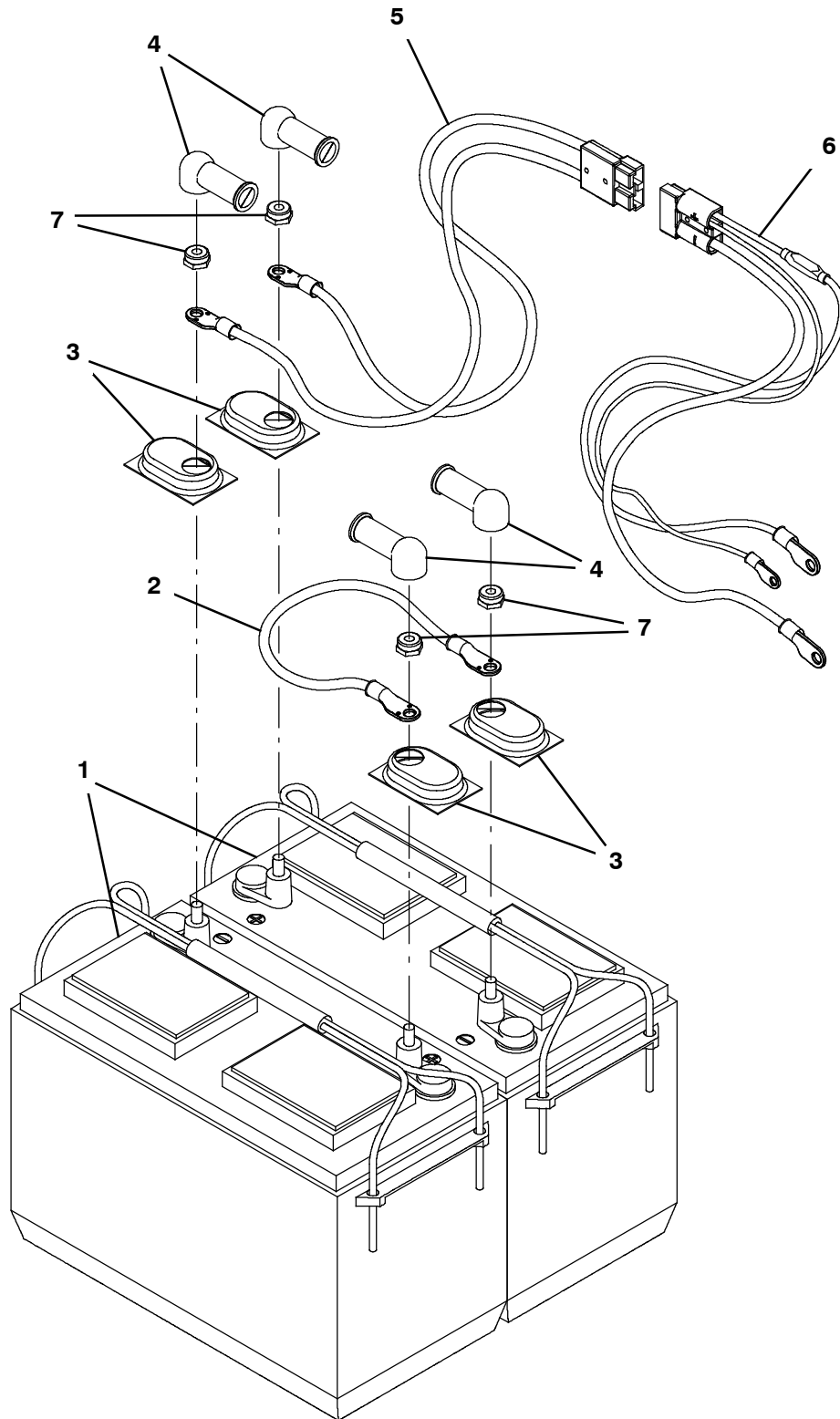


BATTERY GROUP, 105AH C20 WET

| Ref. | Part No. | Serial Number | Description | Qty. |
|-------------|-----------------|----------------------|---|-------------|
| 1 | 578426 | (00000000- |) Battery, Wet, 12vdc 0105ah [S8, 27tmx] | 2 |
| 2 | 1073680 | (00000000- |) Cable, 04ga 15.0l Blk [M8 Ring/M8 Ring] | 1 |
| 3 | 45962 | (00000000- |) Cap, Battery, White [For 105ah & 130ah] | 4 |
| 4 | 611221 | (00000000- |) Boot, Terminal, Battery, 25.4mm, Blk | 4 |
| 5 | 1073628 | (00000000- |) Cable, Battery, 4ga [M8 Ring/M8 Ring] | 1 |
| 6 | 1073996 | (00000000- |) Cable, Battery, Fuse [Sb120, 70a] | 1 |
| 7 | 87435 | (00000000- |) Nut, Hex, Flexlock, .31- 18 | 4 |

BATTERY GROUP, 130AH C20 WET

355313

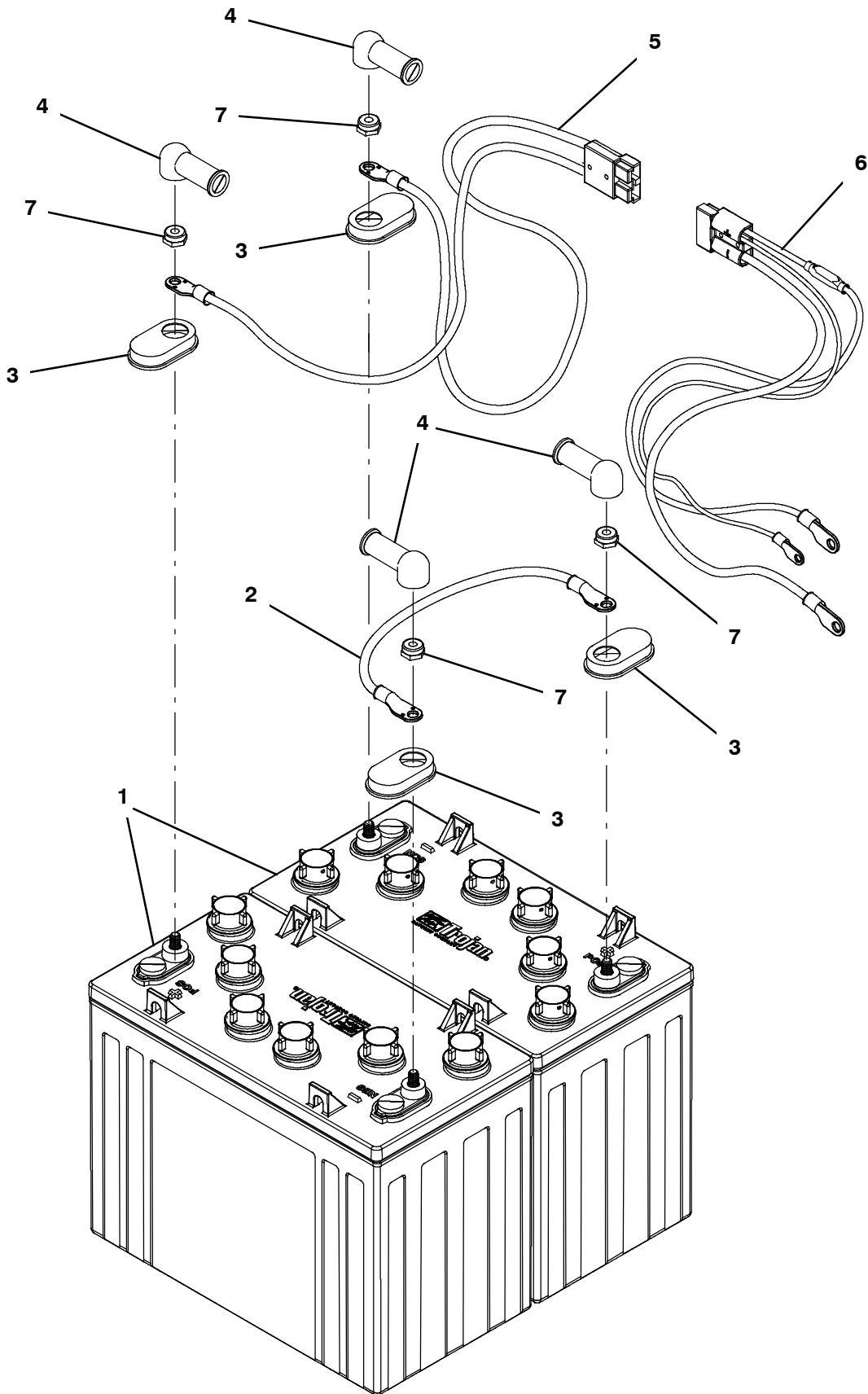


BATTERY GROUP, 130AH C20 WET

| Ref. | Part No. | Serial Number | Description | Qty. |
|------|----------|---------------|---|------|
| 1 | 130869 | (00000000- |) Battery, Wet, 12vdc 0130ah [30xhs- Wnt] | 2 |
| 2 | 1073680 | (00000000- |) Cable, 04ga 15.0l Blk [M8 Ring/M8 Ring] | 1 |
| 3 | 45962 | (00000000- |) Cap, Battery, White [For 105ah & 130ah] | 4 |
| 4 | 611221 | (00000000- |) Boot, Terminal, Battery, 25.4mm, Blk | 4 |
| 5 | 1073628 | (00000000- |) Cable, Battery, 4ga [M8 Ring/M8 Ring] | 1 |
| 6 | 1073996 | (00000000- |) Cable, Battery, Fuse [Sb120, 70a] | 1 |
| 7 | 87435 | (00000000- |) Nut, Hex, Flexlock, .31- 18 | 4 |

BATTERY GROUP, 155AH C20 WET

355314

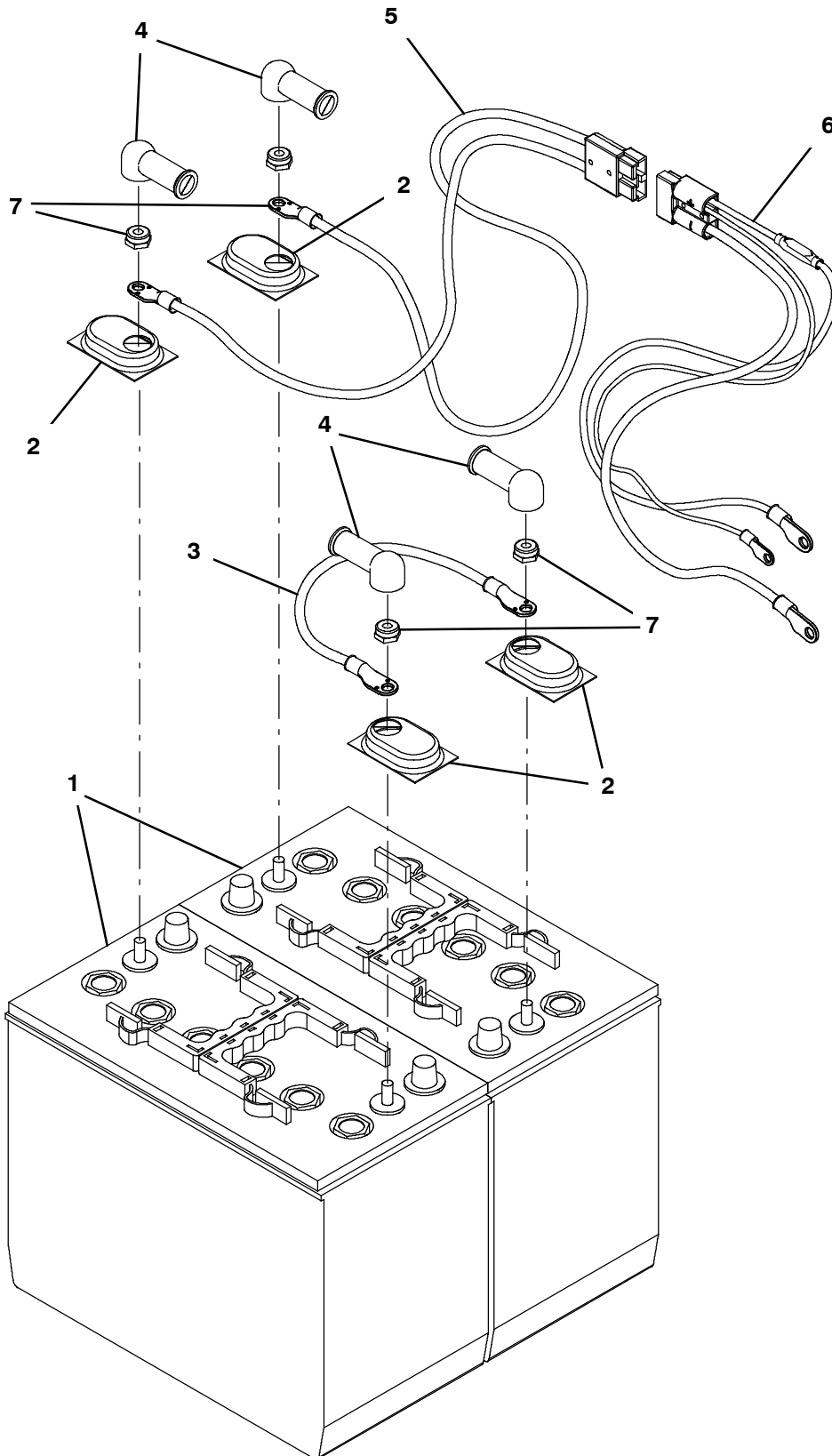


BATTERY GROUP, 155AH C20 WET

| Ref. | Part No. | Serial Number | Description | Qty. |
|------|----------|---------------|---|------|
| 1 | 1015046 | (00000000- |) Battery, Wet, 12vdc 0155ah | 2 |
| 2 | 1073680 | (00000000- |) Cable, 04ga 15.0l Blk [M8 Ring/M8 Ring] | 1 |
| 3 | 1041030 | (00000000- |) Cap, Battery, Black [For 155ah] | 4 |
| 4 | 611221 | (00000000- |) Boot, Terminal, Battery, 25.4mm, Blk | 4 |
| 5 | 1073628 | (00000000- |) Cable, Battery, 4ga [M8 Ring/M8 Ring] | 1 |
| 6 | 1073996 | (00000000- |) Cable, Battery, Fuse [Sb120, 70a] | 1 |
| 7 | 87435 | (00000000- |) Nut, Hex, Flexlock, .31- 18 | 4 |

BATTERY GROUP, 140AH C20 AGM

355315



BATTERY GROUP, 140AH C20 AGM

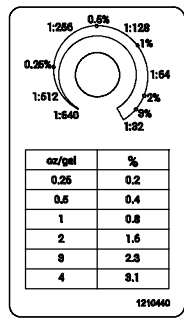
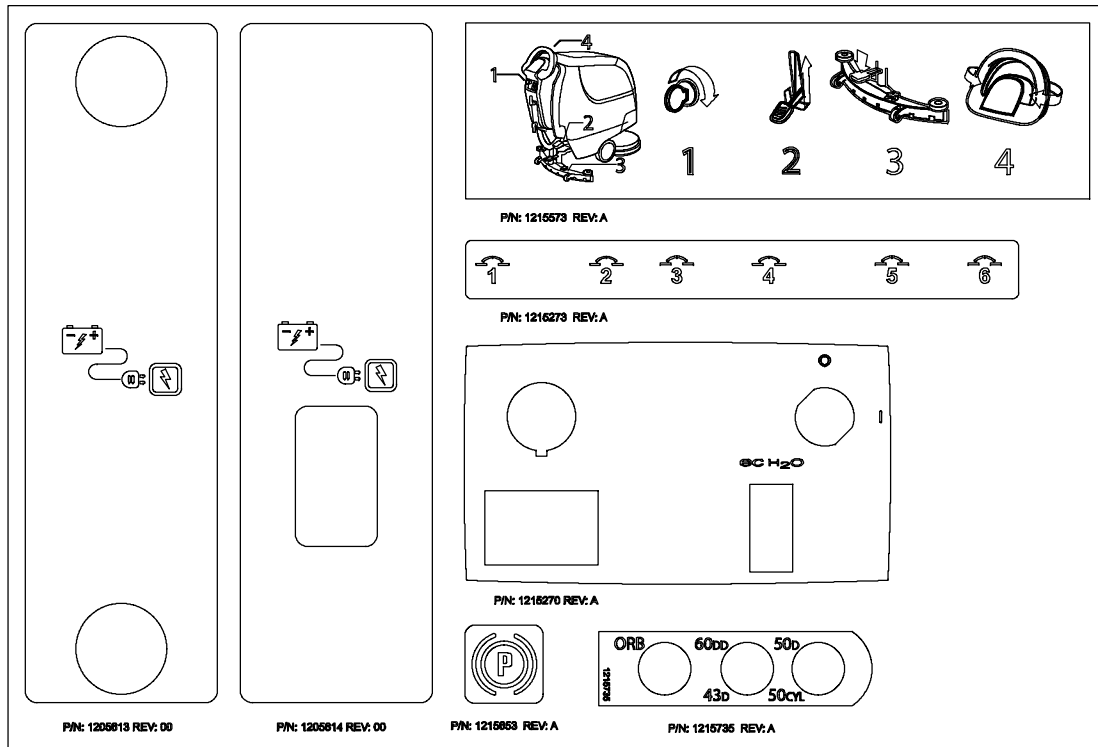
| | Ref. | Part No. | Serial Number | Description | Qty. |
|---|------|----------|---------------|---|------|
| ▽ | 1 | 1053408 | (00000000- |) Battery, 12vdc 0140ah [Agm] | 2 |
| ▲ | 2 | 45962 | (00000000- |) Cap, Battery, White [For 105ah & 130ah] | 4 |
| | 3 | 1073680 | (00000000- |) Cable, 04ga 15.0l Blk [M8 Ring/M8 Ring] | 1 |
| | 4 | 611221 | (00000000- |) Boot, Terminal, Battery, 25.4mm, Blk | 4 |
| | 5 | 1073628 | (00000000- |) Cable, Battery, 4ga [M8 Ring/M8 Ring] | 1 |
| | 6 | 1073996 | (00000000- |) Cable, Battery, Fuse [Sb120, 70a] | 1 |
| | 7 | 87435 | (00000000- |) Nut, Hex, Flexlock, .31- 18 | 4 |

▽ ASSEMBLY

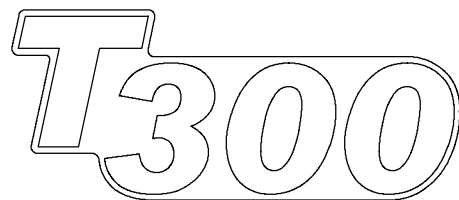
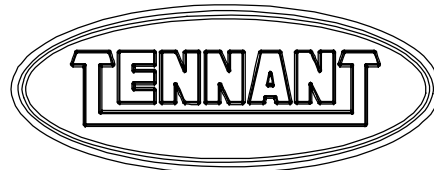
▲ INCLUDED IN ASSEMBLY

LABEL GROUP

355363



P/N: 1210440 REV: B



500 x 355 mm / 20 x 14 in

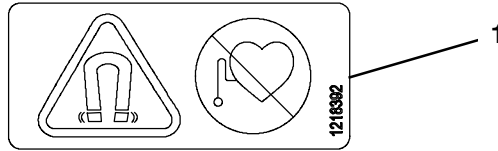


LABEL GROUP

| Ref. | Part No. | Serial Number | Description | Qty. |
|------|----------|---------------|---|------|
| 1 | 1215777 | (00000000- |) Label Sheet, Operational | 1 |
| 2 | 1210440 | (00000000- |) Label, Opertnl, Detergent Metering (Severe Environment) | 1 |
| 3 | 1214279 | (00000000- |) Label, Orbital, Size, 50cm (Orbital Head) | 1 |
| 4 | 1205477 | (00000000- |) Nameplate, Tennant, Dome, 5.5in | 1 |
| 5 | 1215262 | (00000000- |) Label, T300 | 2 |
| 6 | 1216520 | (00000000- |) Label, Logo [Ech2o Nano] (ec- H2O Model) | 2 |

LABEL GROUP - CONT'D

355364



| | | | | |
|--|---|---|--|---|
| | <p>⚠ WARNING TO REDUCE THE RISK OF FIRE, EXPLOSION, ELECTRICAL SHOCK OR INJURY:</p> <ul style="list-style-type: none"> • Read manual before operating machine. • Do not use on pit: up flammable materials. • Do not use near flammable liquids, vapors or combustible dusts. • Batteries emit hydrogen gas. Explosion or fire can result. Keep sparks and open flames away when charging. • Disconnect battery cables and charge plug before servicing machine. • Do not charge batteries with damaged case. • Do not use outdoors. Store indoors. | <p>⚠ AVERTISSEMENT POUR RÉDUIRE LES RISQUES D'INCENDIE, L'EXPLOSION, DE CHOC ÉLECTRIQUE OU DE LÉSION:</p> <ul style="list-style-type: none"> • Lire le manuel avant d'utiliser la machine. • N'utilisez pas ou ne ramassez pas de matériaux inflammables. • N'utilisez pas près de liquides, vapeurs ou poussières inflammables. • Les batteries émettent de l'hydrogène gazeux. Risque d'explosion et d'incendie. Évitez toute étincelle et toute flamme au sein de la charge des batteries. • Déconnecter les câbles des batteries et le cordon de chargement avant l'entretien de la machine. • Ne chargez pas les batteries avec un casque endommagé. • N'utilisez pas à l'extérieur. Entassez-les à l'intérieur. | <p>⚠ ADVERTENCIA PARA REDUCIR EL RIESGO DE INCENDIO, EXPLOSION, CHOCQUE ELÉCTRICO, O LESIÓN:</p> <ul style="list-style-type: none"> • Lea el manual antes de utilizar la máquina. • No utilice ni recoja materiales inflamables. • No utilice la máquina cerca de líquidos, vapores o vapores inflamables. • Las baterías emiten hidrógeno. Peligro de incendio o explosión. Mantenga la máquina alejada de chispas y flamas cuando se está cargando. • Desconecte los cables de la batería antes de realizar el servicio a la máquina. • No cargue las baterías si el cable está dañado. • No utilice la máquina al aire libre. Guárdela en un lugar cerrado. | <p>⚠ WARNING Spinning Part. Keep Hands Away. ⚠ AVERTISSEMENT Partie En Rotation. Retenez Vos Mains. ⚠ ADVERTENCIA Componentes Giratorios. Manténgase Alejado Las Manos.</p> <p>P/N: 1208788 REV: 00</p> |
| <p>FRONT →</p> <p>(2) 12V</p> <p>P/N: 1216281 REV: A</p> | <p>P/N: 1208811 REV: 00</p> | <p>P/N: 1216631 REV: A</p> | <p>⚠ WARNING Spinning Part. Keep Hands Away. ⚠ AVERTISSEMENT Partie En Rotation. Retenez Vos Mains. ⚠ ADVERTENCIA Componentes Giratorios. Manténgase Alejado Las Manos.</p> <p>P/N: 1208788 REV: 00</p> | |

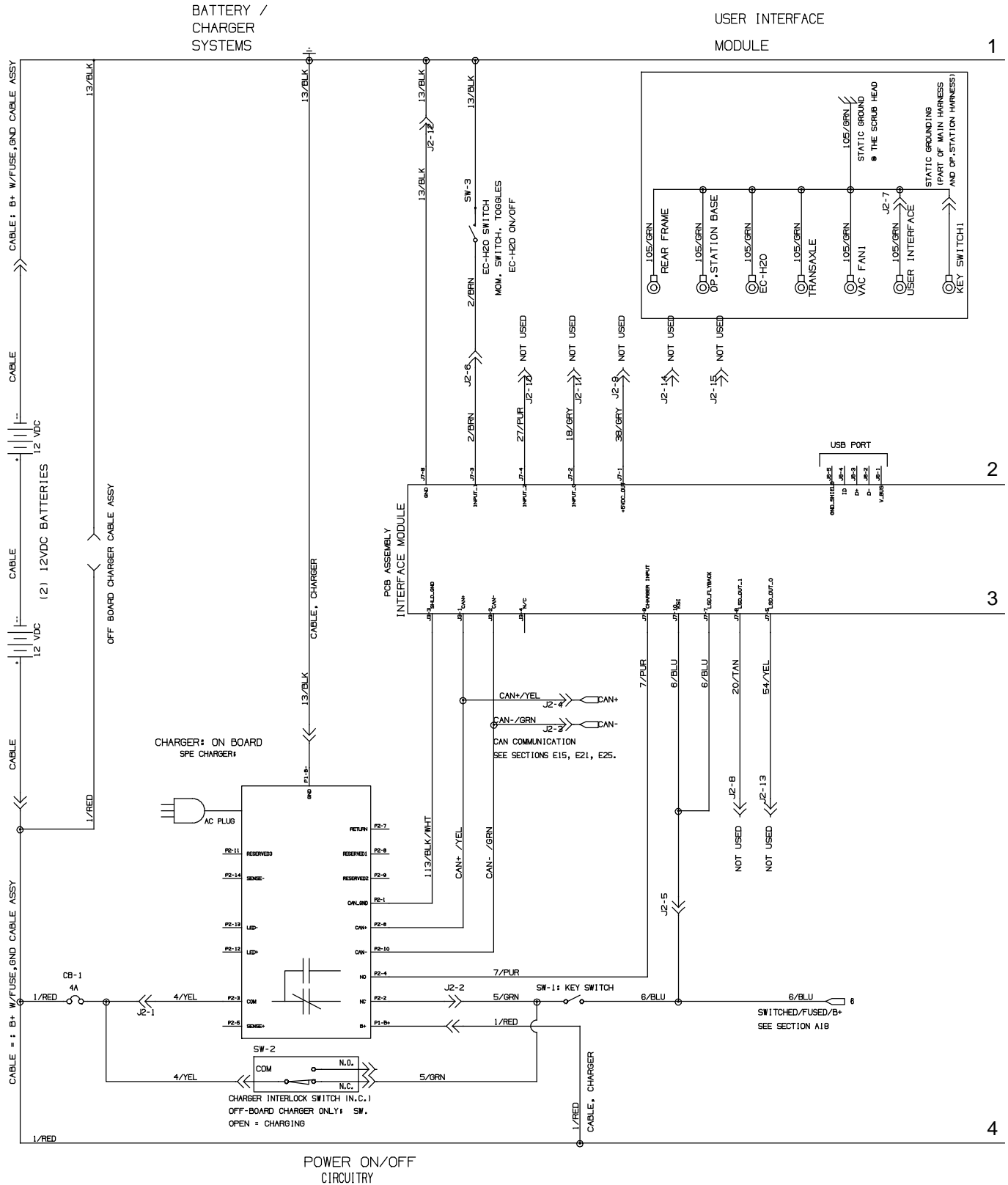
| | | | |
|---|---|--|-----------------------------|
| <p>⚠ 警告</p> <p>火災、爆発、感電やけがを招くために行ってください。</p> <ul style="list-style-type: none"> • 本機を使用する前に、マニュアルをお読みください。 • 引火性液体や可燃性粉塵を吸引しないでください。 • 充電時、引火性液体、または可燃性のほこりを吸引しないでください。 • バッテリーは水素ガスを発生します。燃焼や爆発の危険があります。充電中は、火花や熱を遠ざけてください。 • 本機を修理するときは、事前に必ずバッテリーケーブルと充電プラグを外してください。 • 修理、充電コードのバッテリーを充電しないでください。 • 屋外では使用しないでください。屋内で保管してください。 <p>P/N: 1216282 REV: A</p> | <p>⚠ 警告</p> <p>パッドが回転します。手を近づけないでください。</p> <p>P/N: 1208648 REV: 00</p> | <p>⚠ 警告</p> <p>ブラシが回転します。手を近づけないでください。</p> <p>P/N: 1216781 REV: A</p> | |
| <p>FRONT →</p> <p>(2) 12V</p> <p>P/N: 1216272 REV: A</p> | <p>P/N: 1204984 REV: 00</p> | <p>P/N: 1216631 REV: A</p> | <p>P/N: 1208811 REV: 00</p> |

LABEL GROUP - CONT'D

| Ref. | Part No. | Serial Number | Description | Qty. |
|------|----------|---------------|---|------|
| 1 | 1218392 | (00000000- |) Label, Safety, Magnet, Med (Magnetic Heads) | 1 |
| 2 | 1215774 | (00000000- |) Label Sheet, Info/Hzrd [Na] | 1 |
| 3 | 1215775 | (00000000- |) Label Sheet, Info/Hzrd [Jp] | 1 |

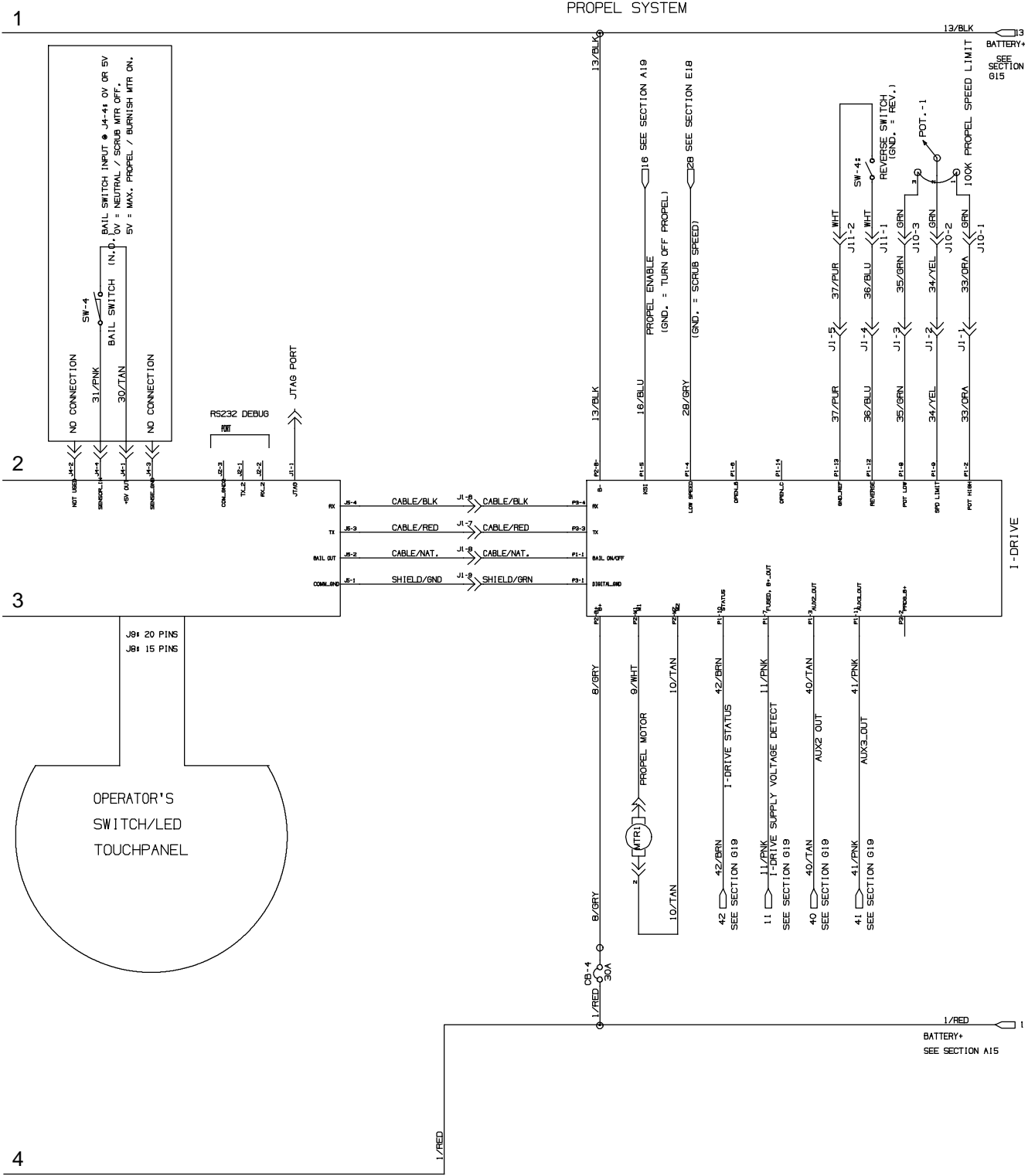
ELECTRICAL DIAGRAM, PROPEL MEMBRANE (PAGE 1 OF 4)

1074705_00



ELECTRICAL DIAGRAM, PROPEL MEMBRANE (PAGE 2 OF 4)

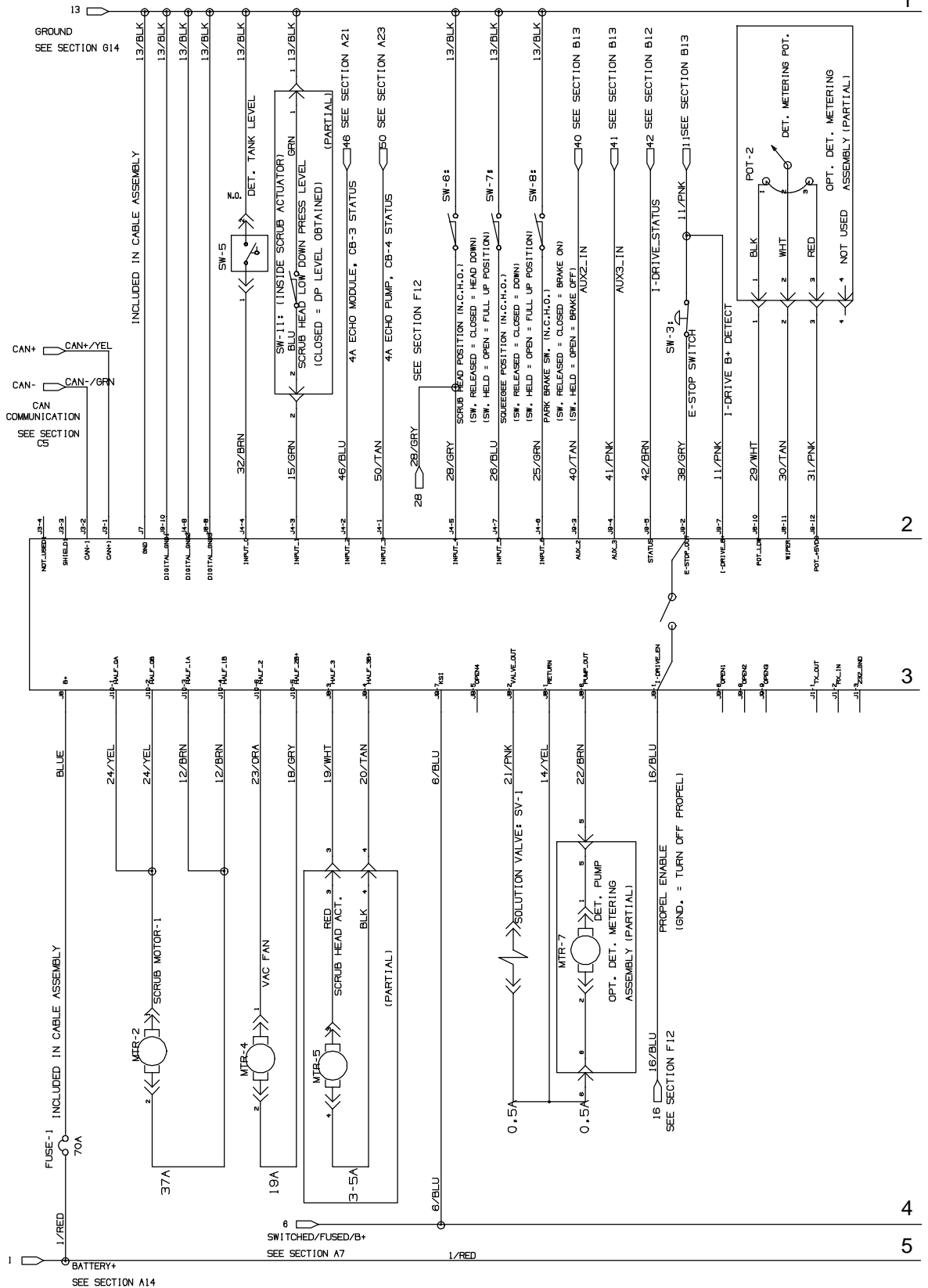
1074705_00



ELECTRICAL DIAGRAM, PROPEL MEMBRANE (PAGE 3 OF 4)

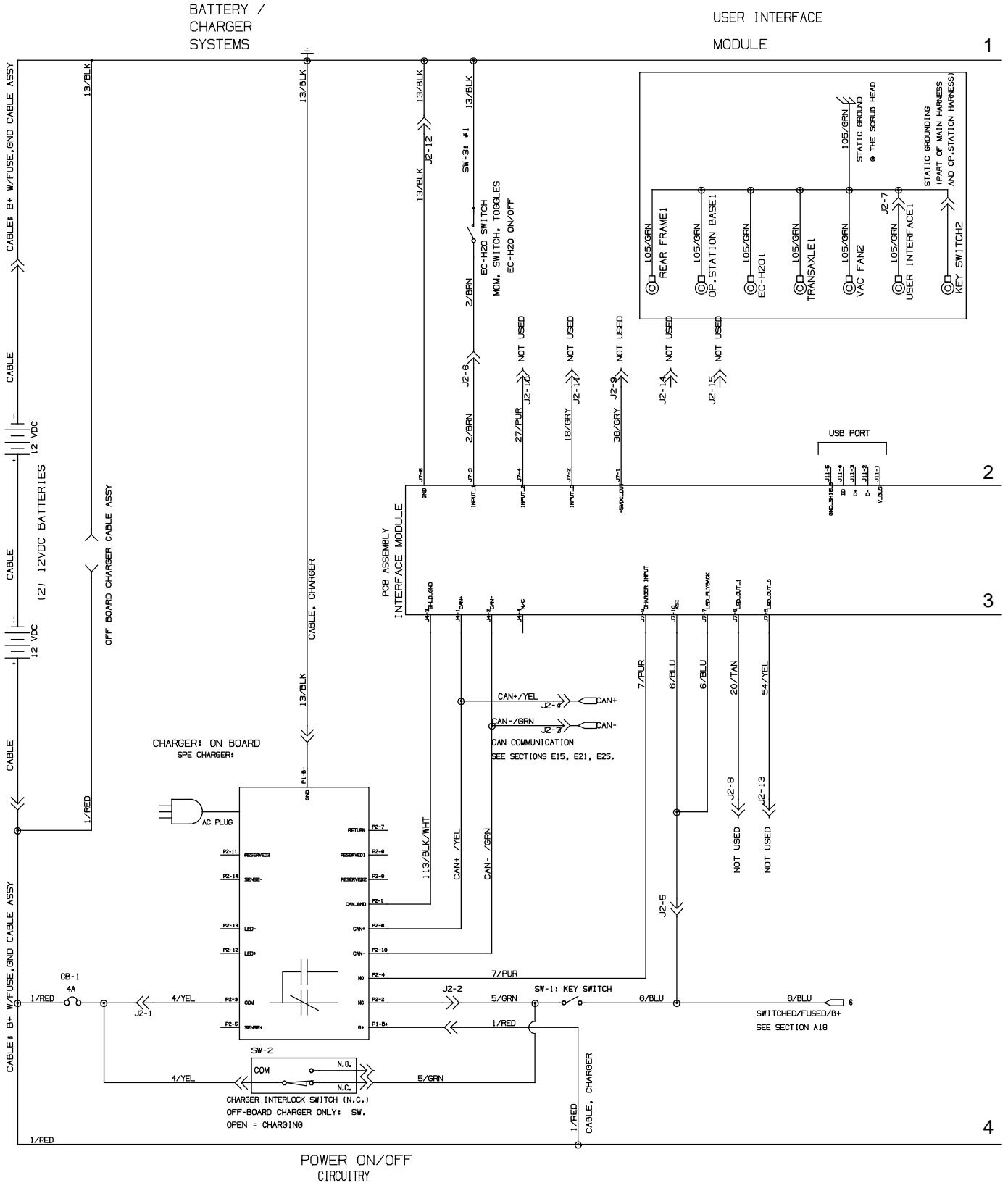
PREMIUM CONTROLLER

1074705_00



ELECTRICAL DIAGRAM, PROPEL LCD (PAGE 1 OF 4)

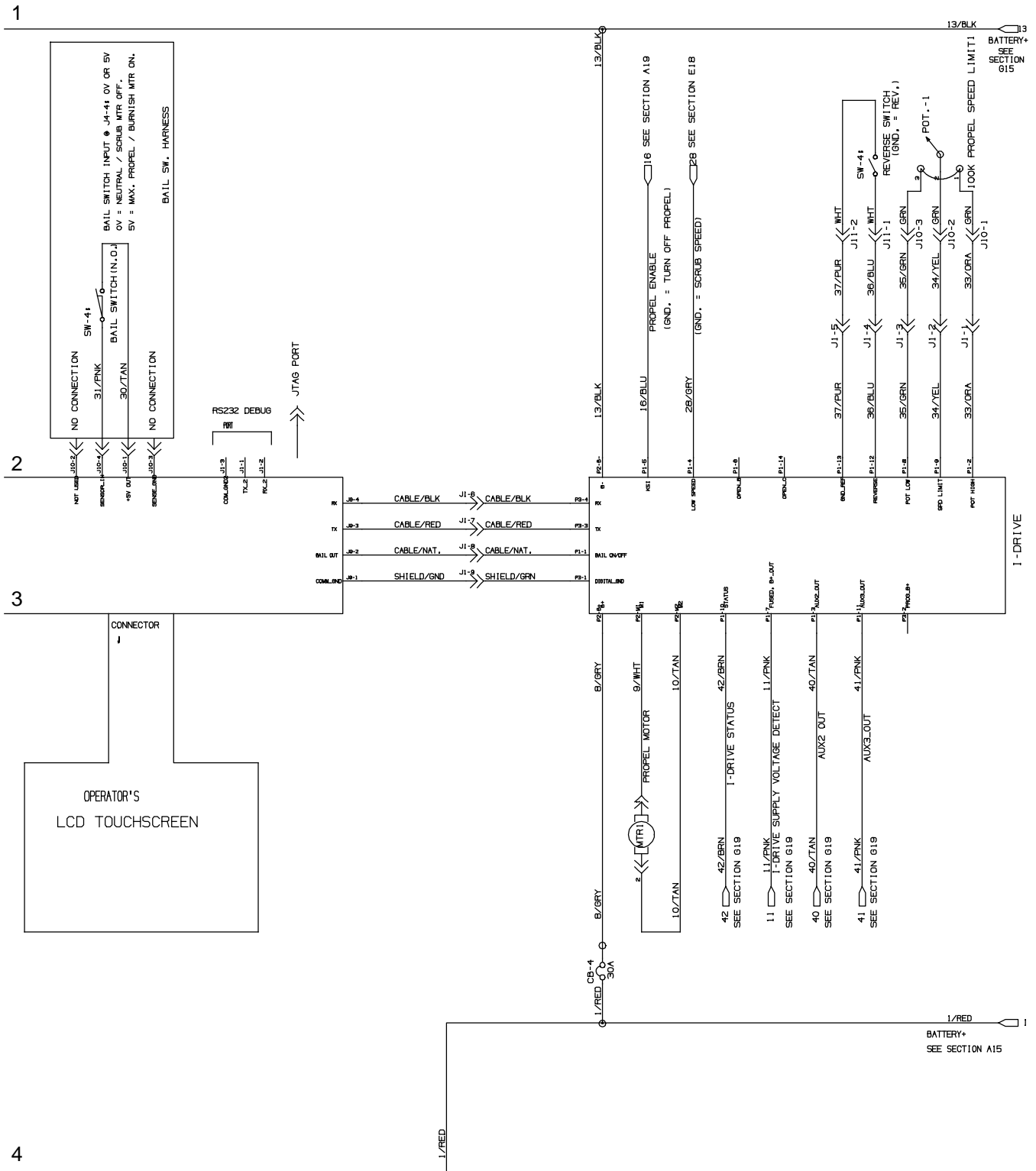
1074705_00



ELECTRICAL DIAGRAM, PROPEL LCD (PAGE 2 OF 4)

1074705_00

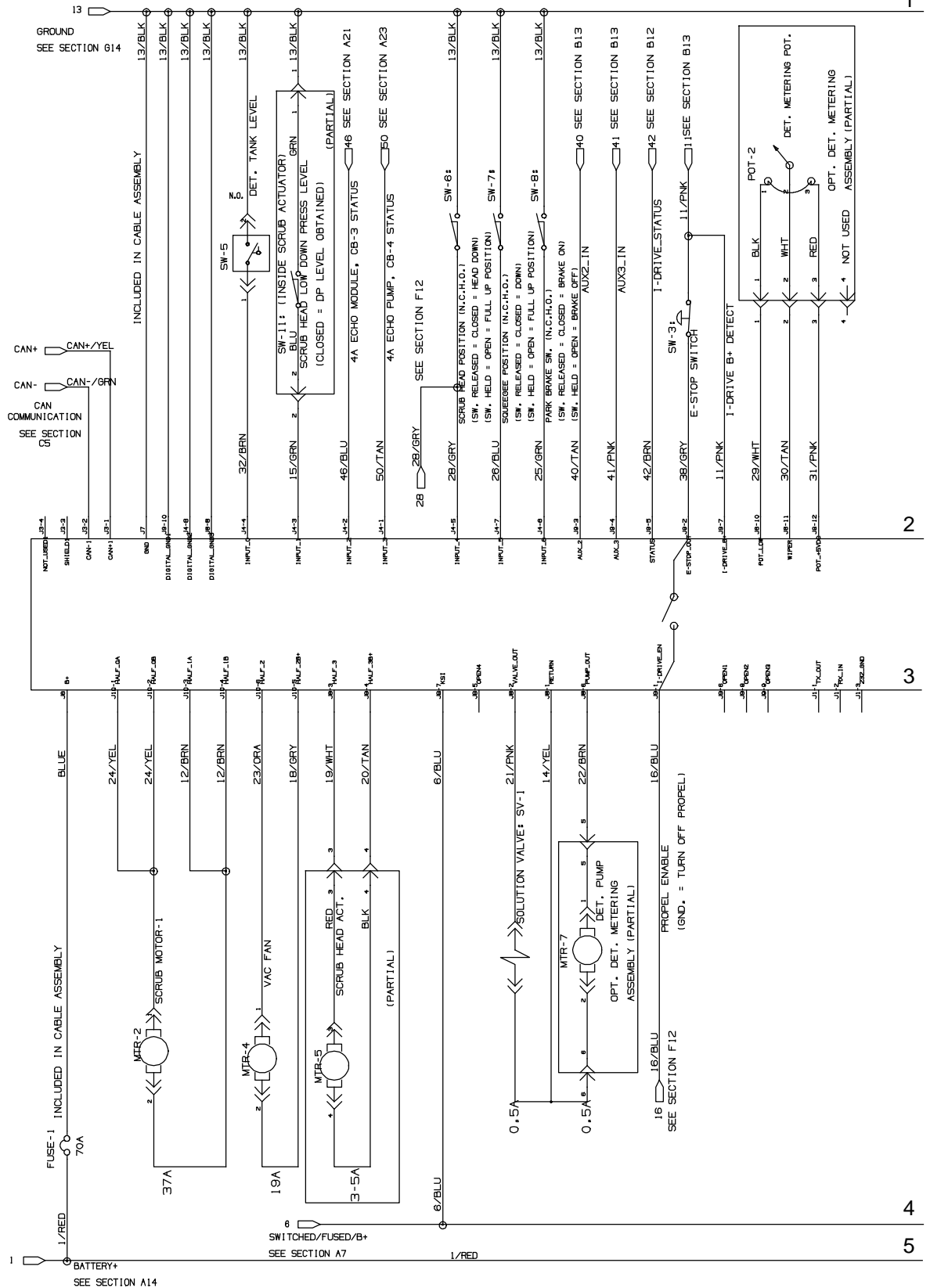
PROPEL SYSTEM



ELECTRICAL DIAGRAM, PROPEL LCD (PAGE 3 OF 4)

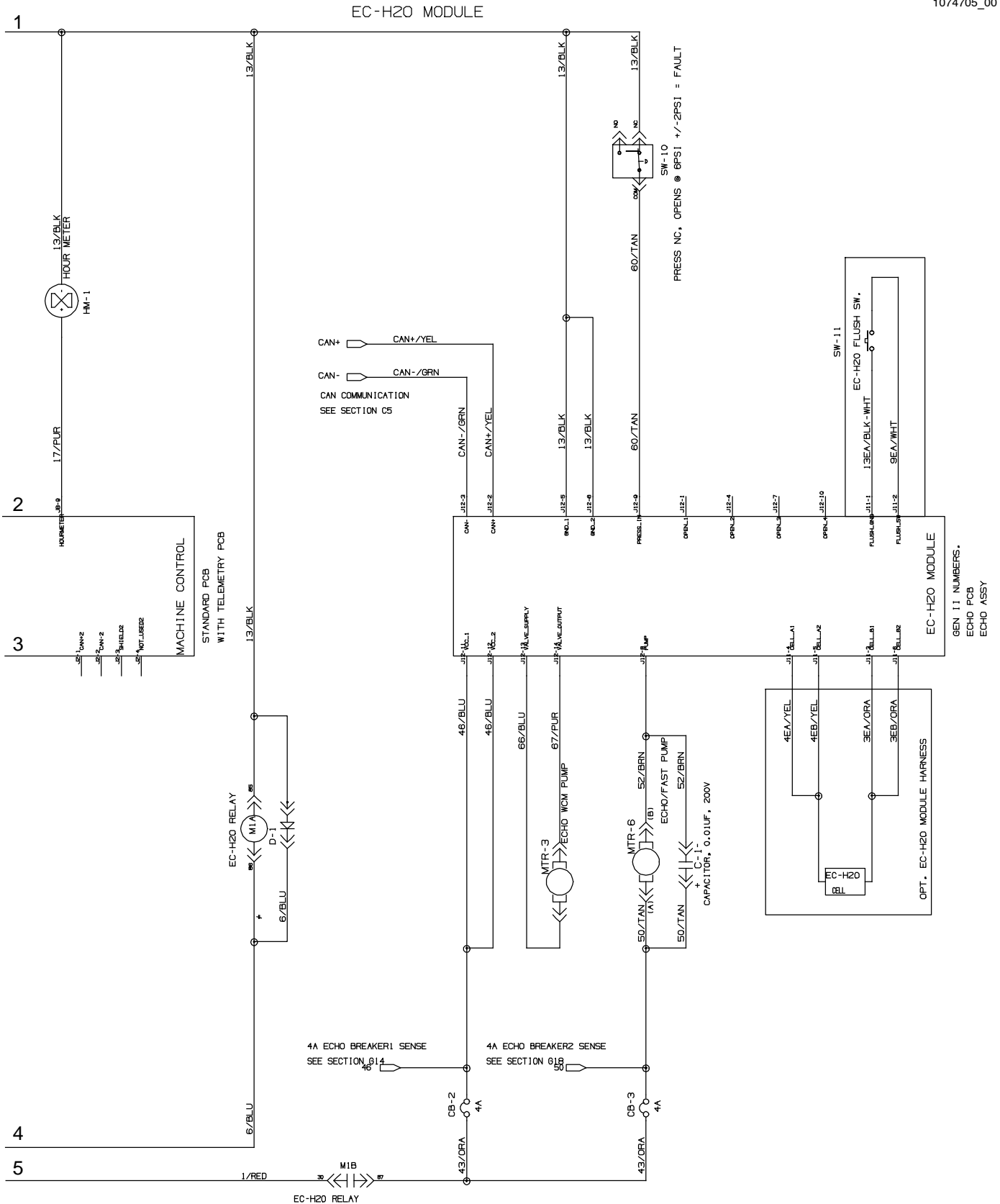
PREMIUM CONTROLLER

1074705_00



ELECTRICAL DIAGRAM, PROPEL LCD (PAGE 4 OF 4)

1074705_00



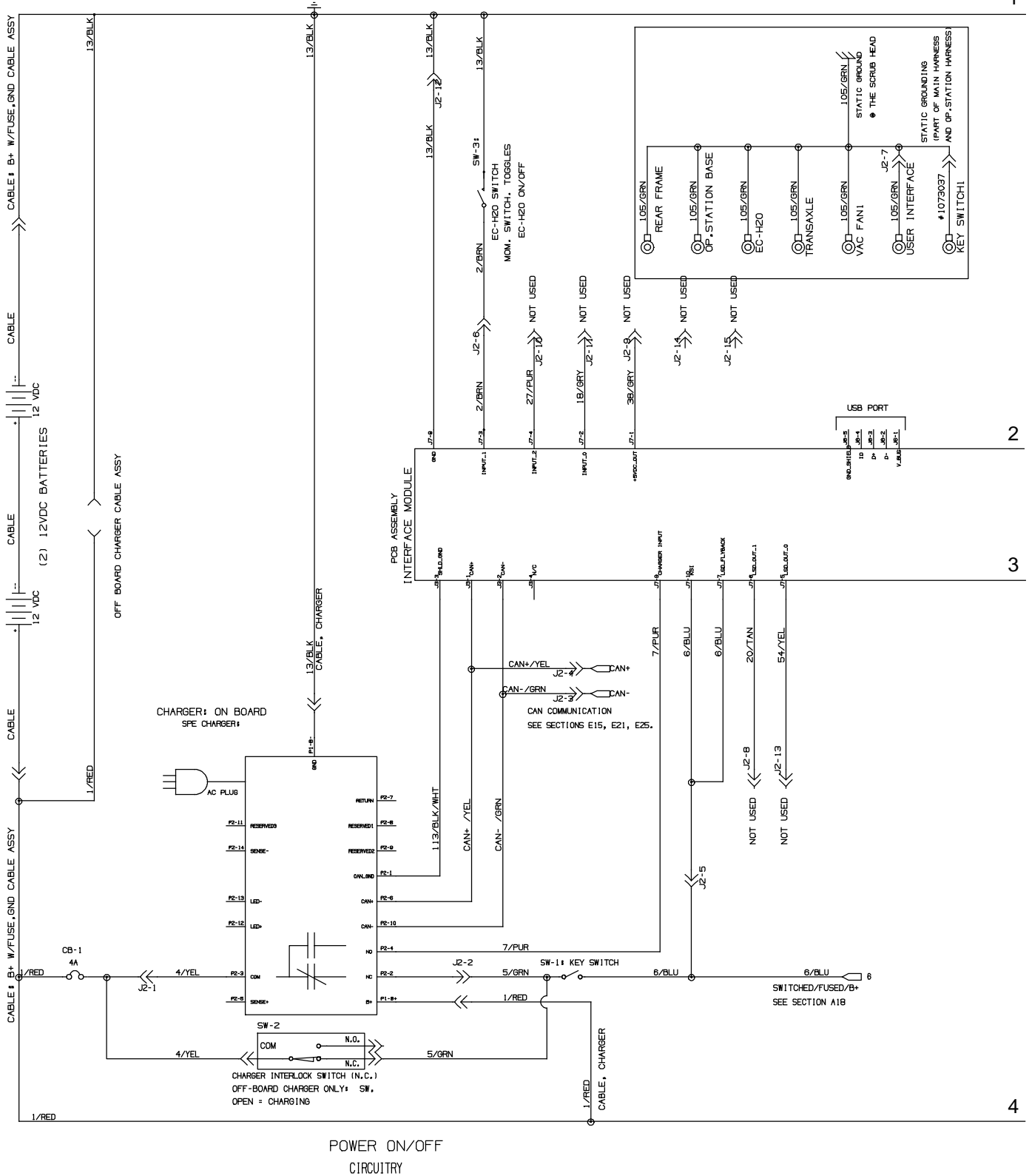
ELECTRICAL DIAGRAM, PUSH MEMBRANE (PAGE 1 OF 4)

1074706_00

BATTERY /
CHARGER
SYSTEMS

USER INTERFACE
MODULE

1



2

3

4

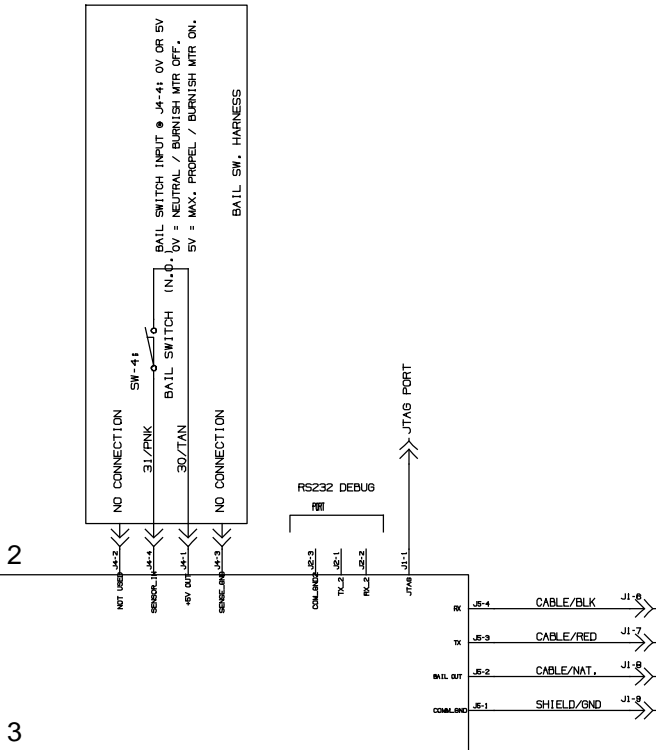
ELECTRICAL DIAGRAM, PUSH MEMBRANE (PAGE 2 OF 4)

1074706_00

PROPEL SYSTEM

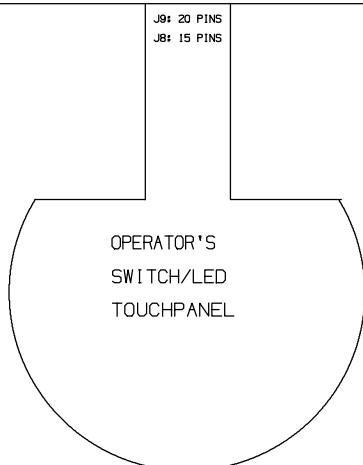
1

13/BLK
BATTERY+
SEE SECTION
G15

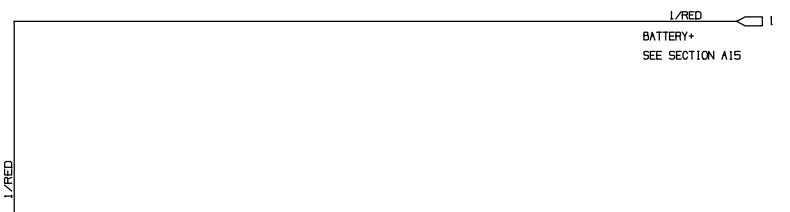


2

3



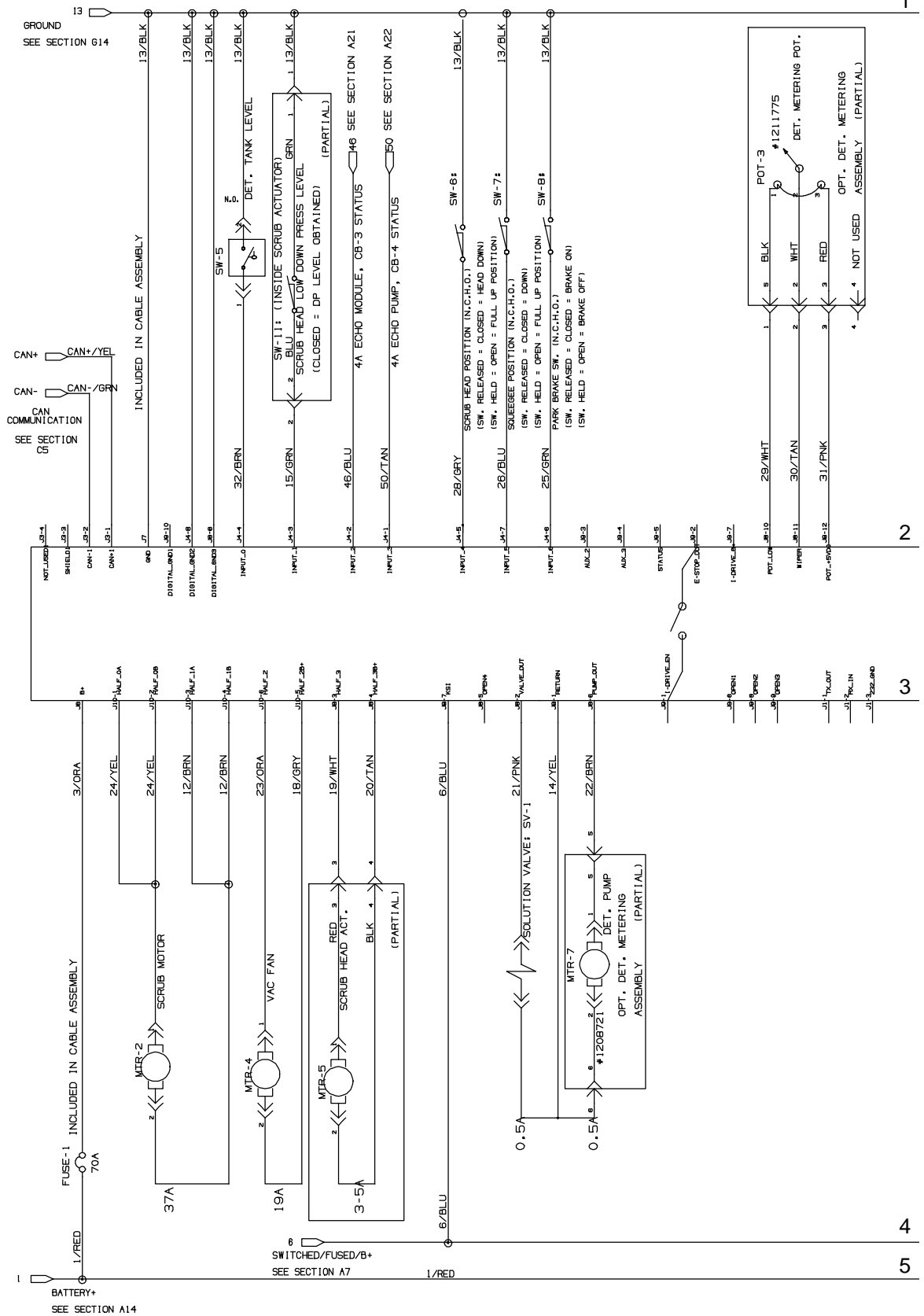
4



ELECTRICAL DIAGRAM, PUSH MEMBRANE (PAGE 3 OF 4)

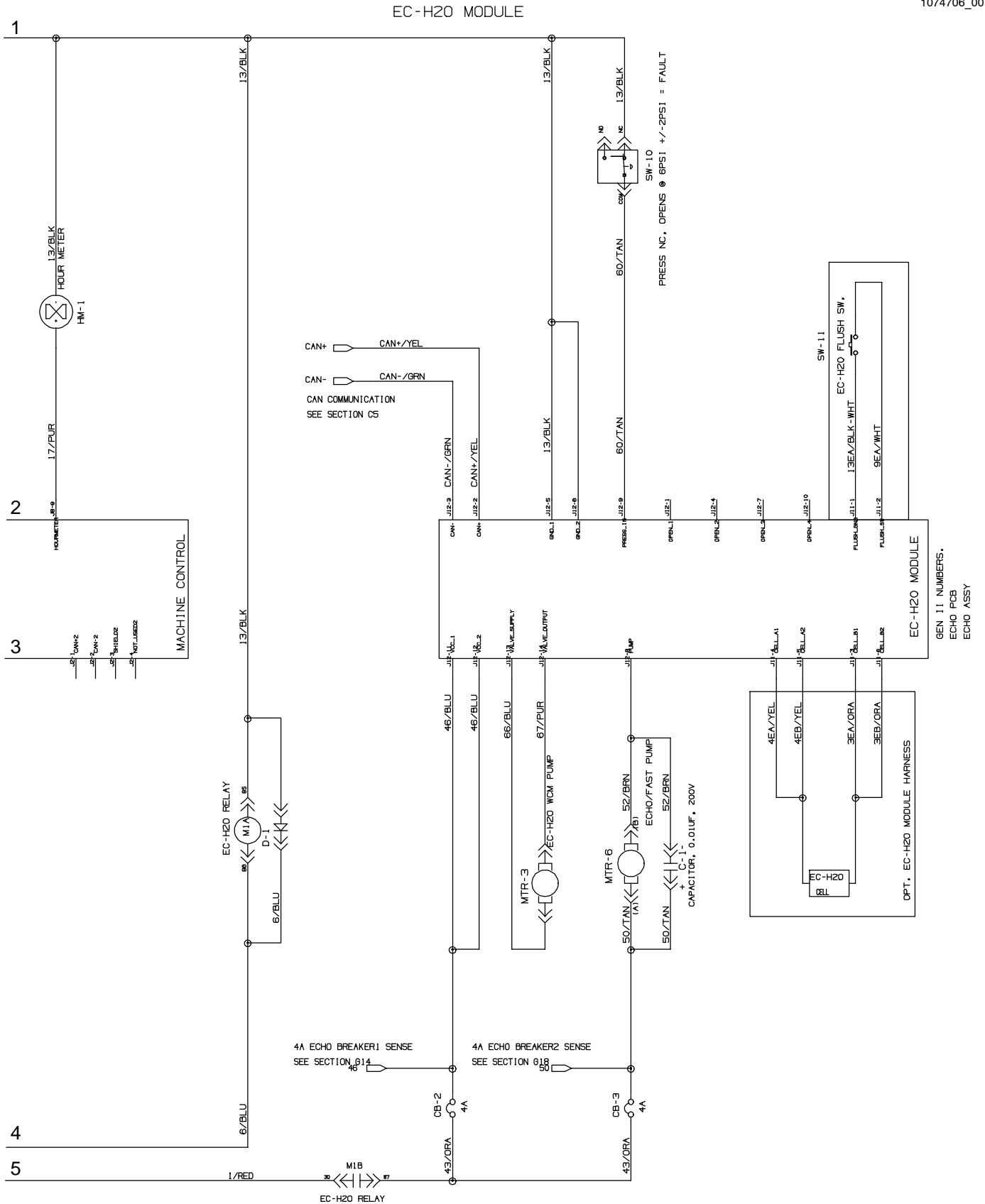
PREMIUM CONTROLLER

1074706_00



ELECTRICAL DIAGRAM, PUSH MEMBRANE (PAGE 4 OF 4)

1074706_00



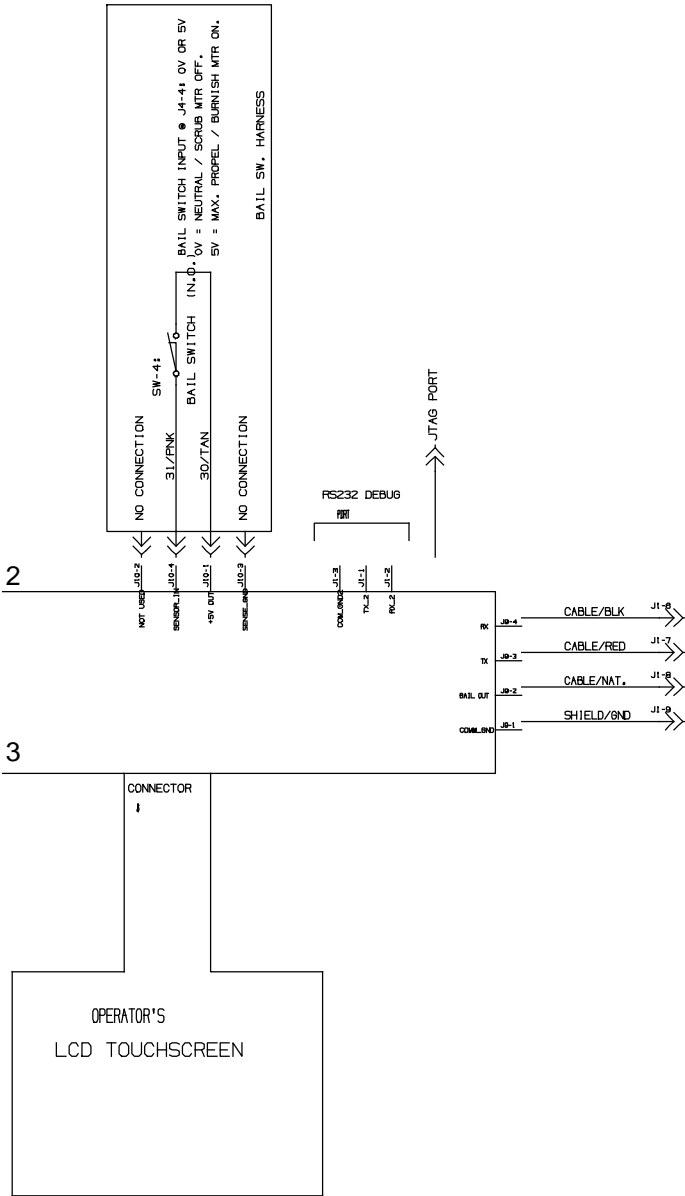
ELECTRICAL DIAGRAM, PUSH LCD (PAGE 2 OF 4)

1074706_00

1

PROPEL SYSTEM

13/BLK
BATTERY+
SEE SECTION G15



3

4

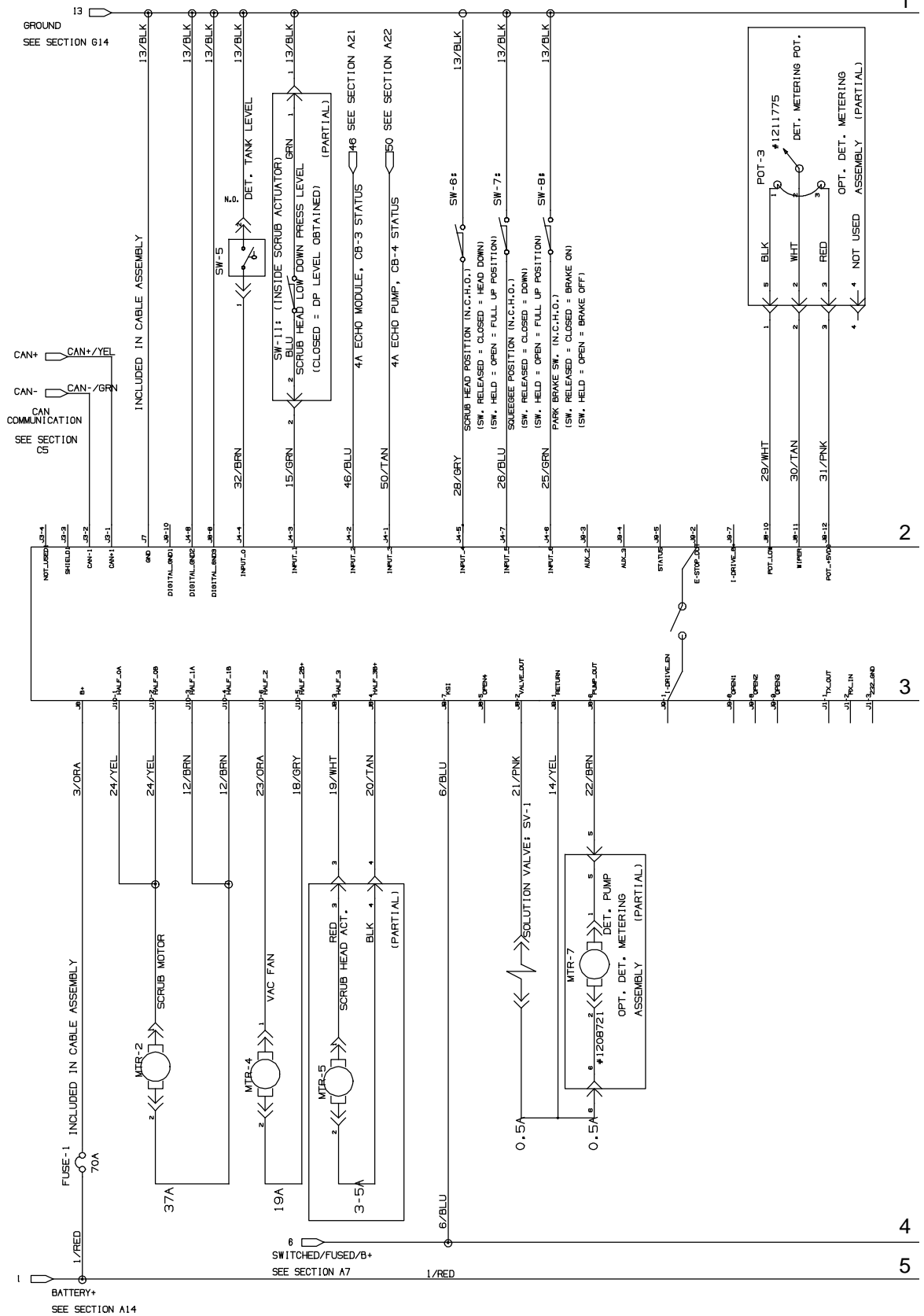
1/RED
BATTERY+
SEE SECTION A15



ELECTRICAL DIAGRAM, PUSH LCD (PAGE 3 OF 4)

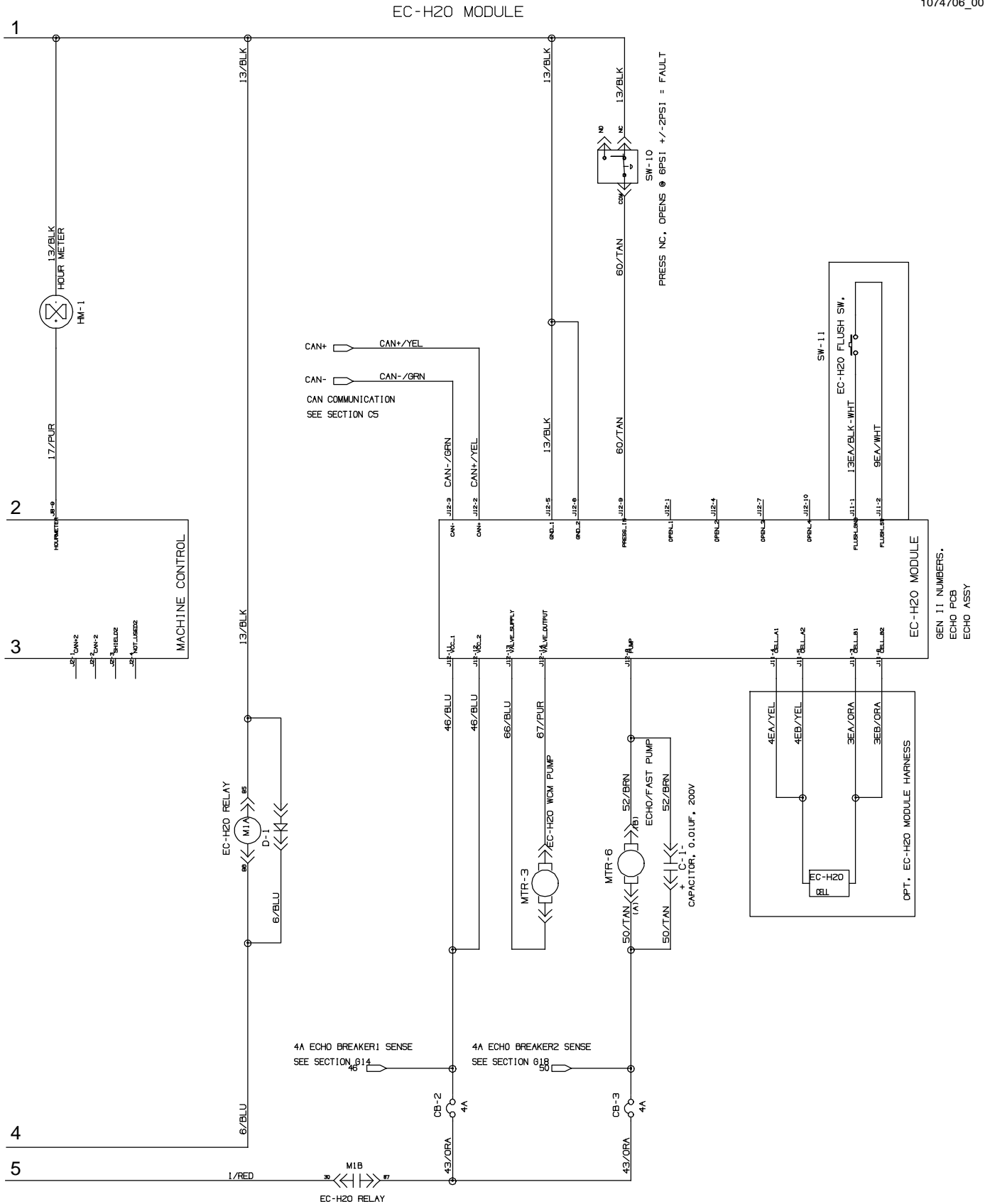
PREMIUM CONTROLLER

1074706_00



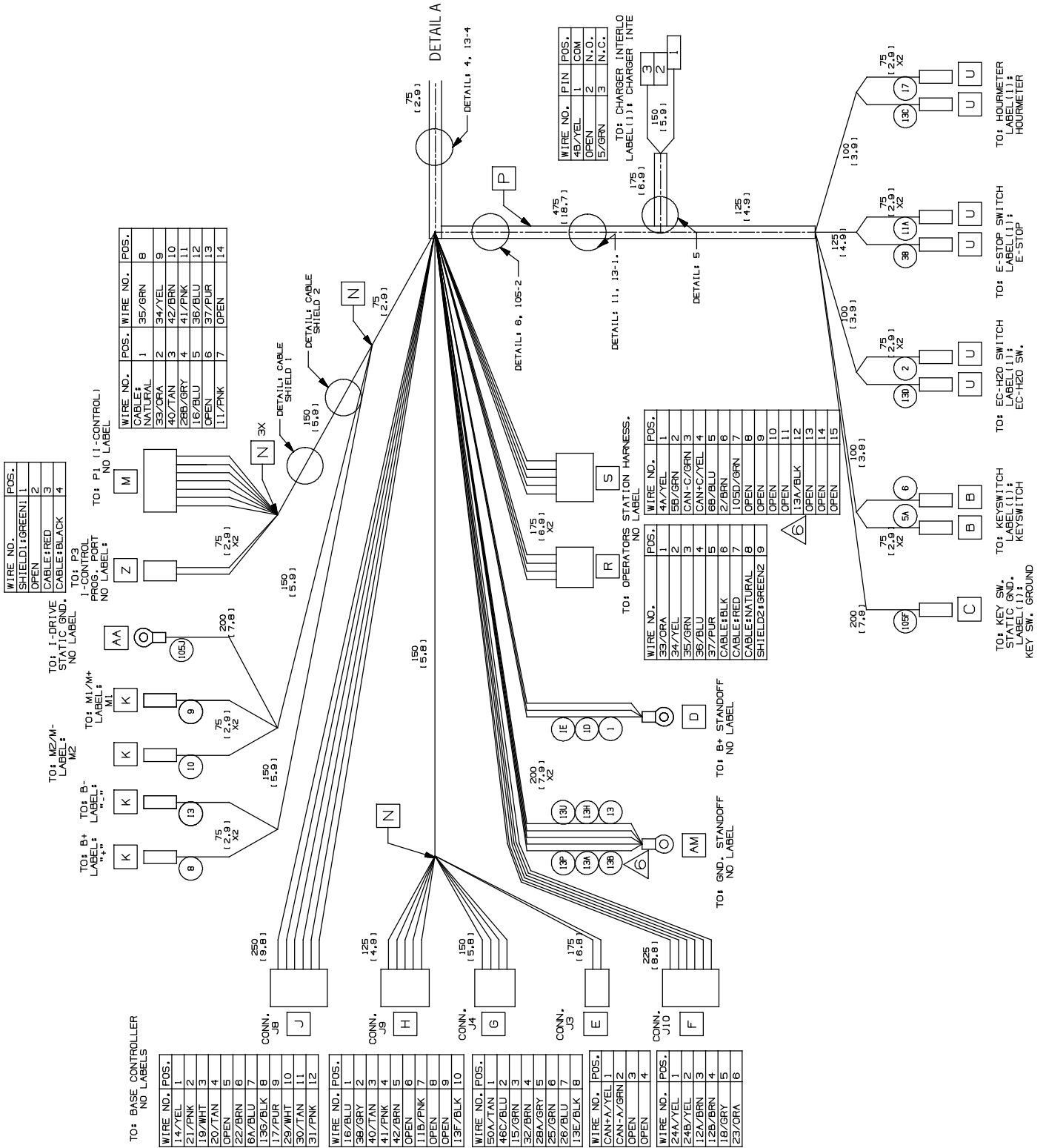
ELECTRICAL DIAGRAM, PUSH LCD (PAGE 4 OF 4)

1074706_00



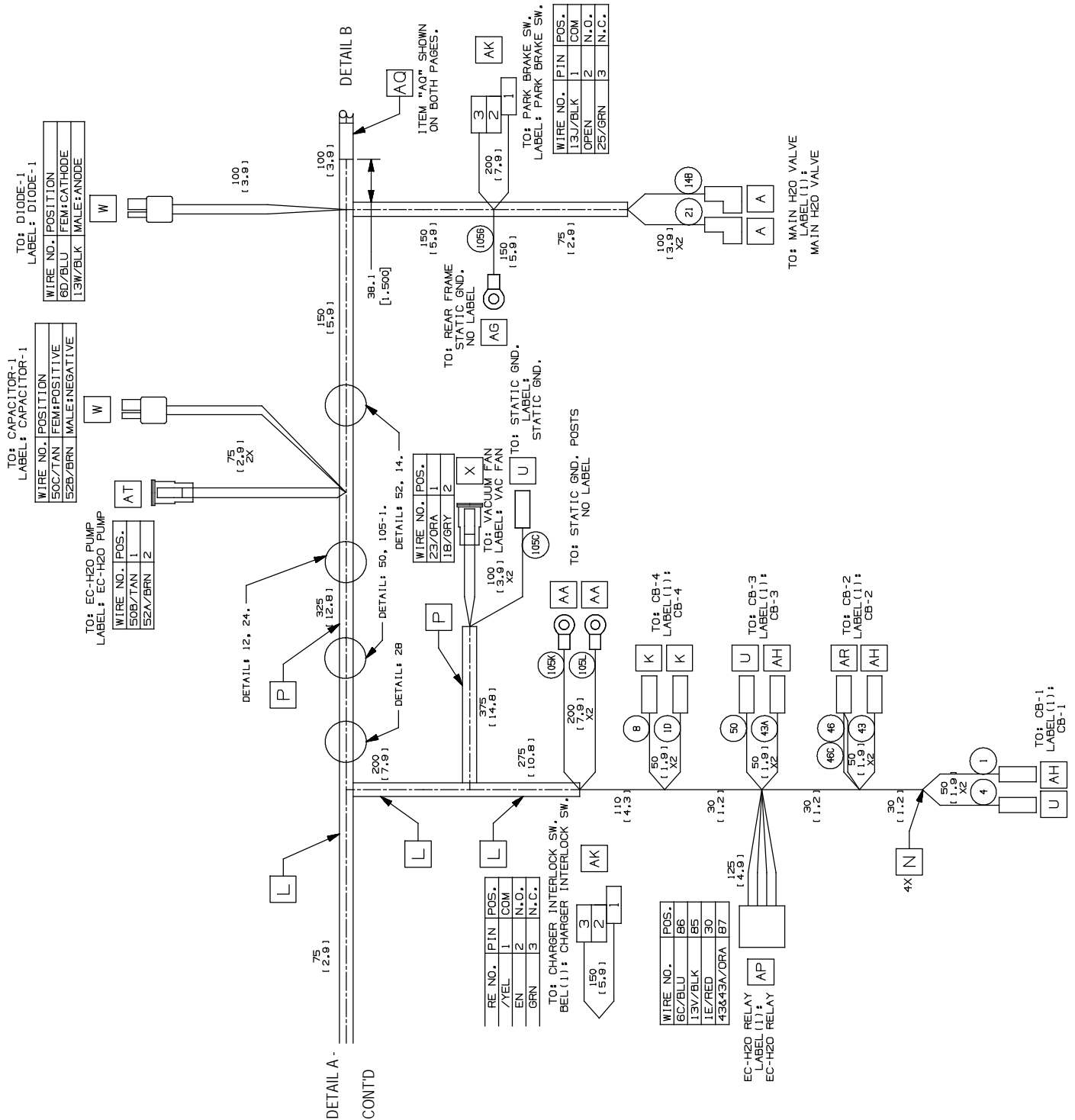
ELECTRICAL HARNESS, MAIN PROPEL (PAGE 1 OF 3)

1073678



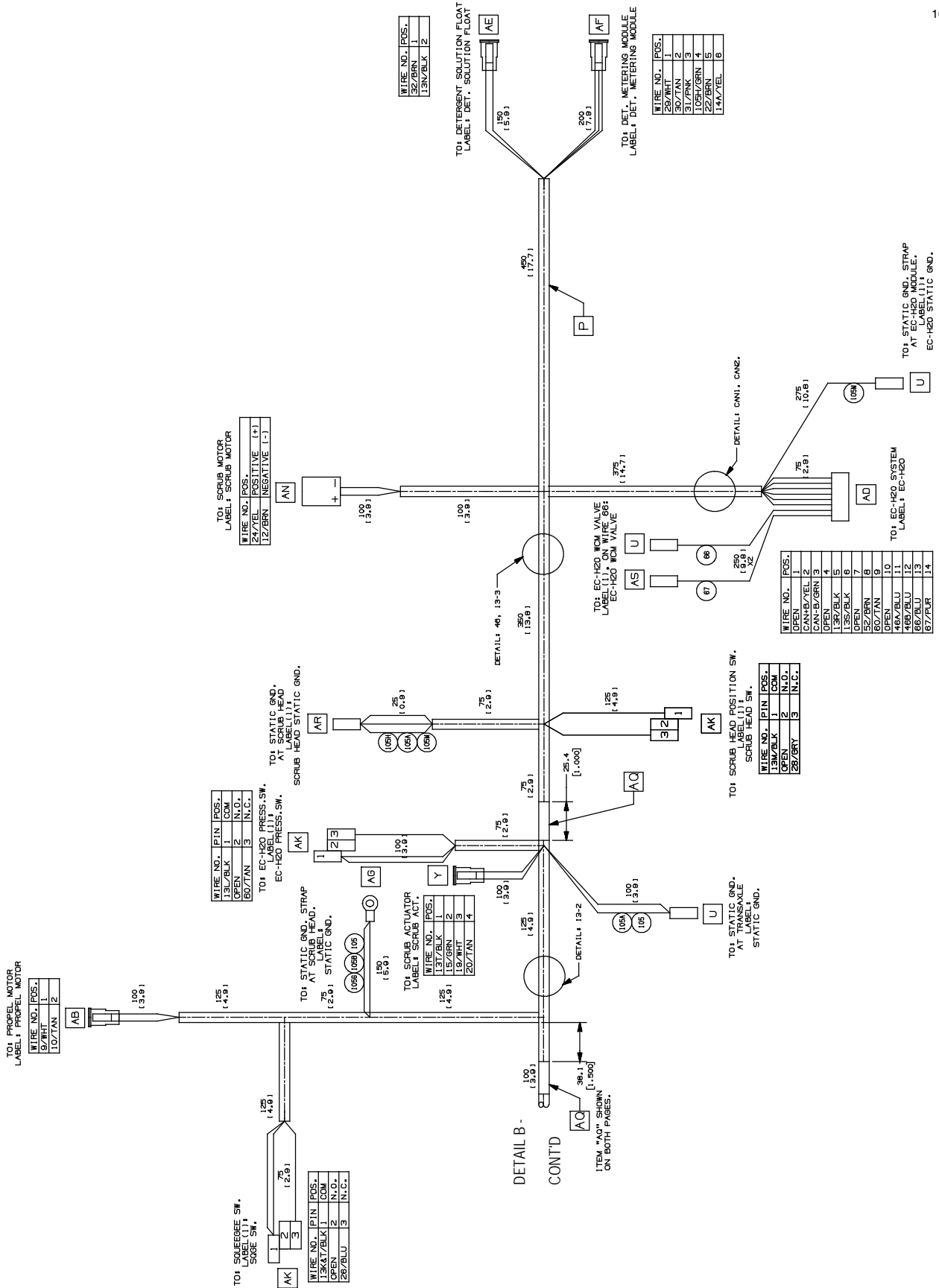
ELECTRICAL HARNESS, MAIN PROPEL (PAGE 2 OF 3)

1073678



ELECTRICAL HARNESS, MAIN PROPEL (PAGE 3 OF 3)

1073678



ELECTRICAL HARNESS, MAIN PROPEL

| | Part No. | Serial Number | Description | Qty. |
|---|-----------------|----------------------|--|-------------|
| ▽ | 1073678 | (00000000- |) Harness, Main, Ele [Vw, Premium, Propel] | 1 |
| ▲ | 222290 | (00000000- |) Diode, Ele, Plug | 3 |

▽ ASSEMBLY

▲ INCLUDED IN ASSEMBLY

ELECTRICAL HARNESS, MAIN PUSH (PAGE 1 OF 3)

1073679

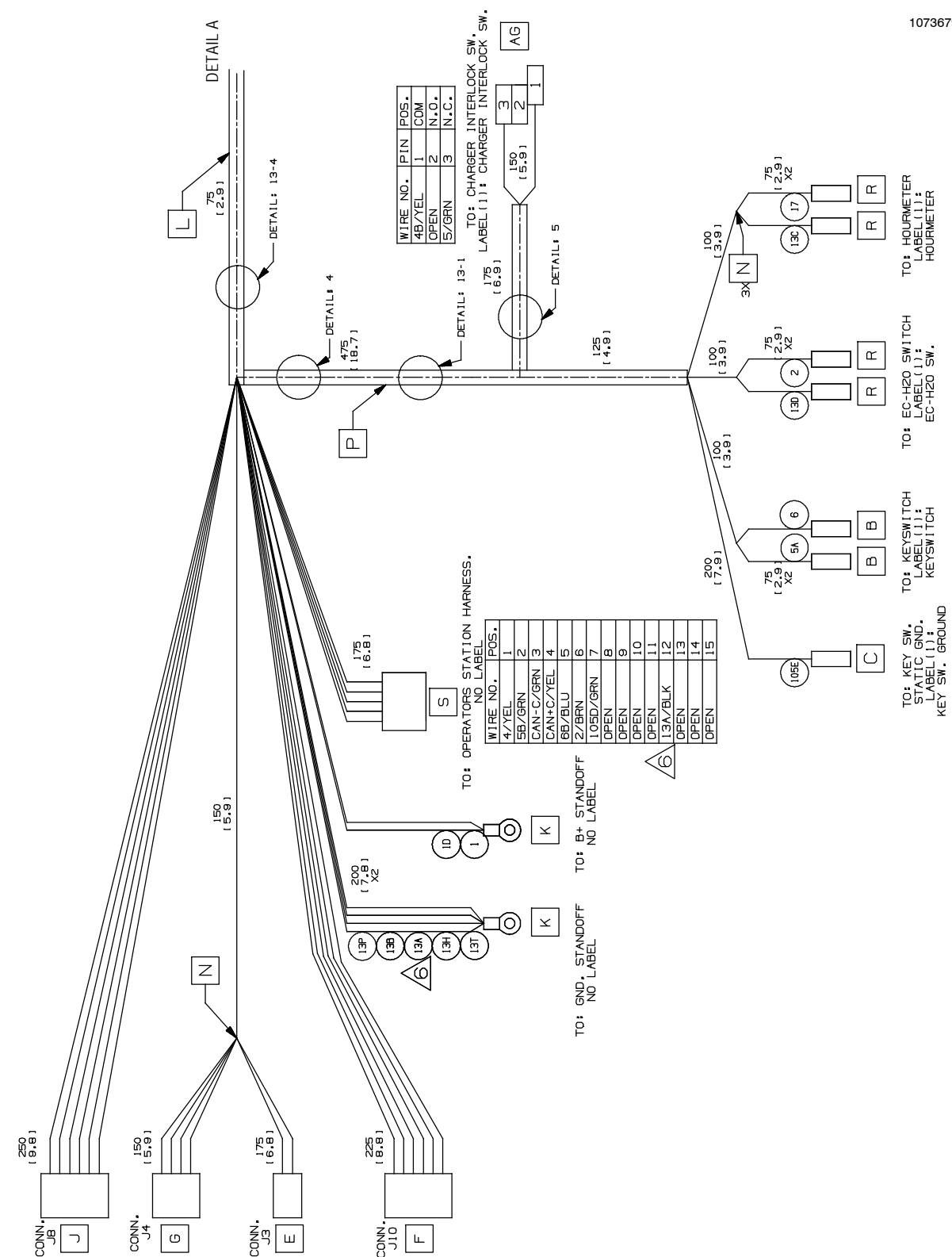
TO: BASE CONTROLLER
NO LABELS

| WIRE NO. | POS. |
|----------|------|
| 14/YEL | 1 |
| 21/PNK | 2 |
| 19/WHT | 3 |
| 20/TAN | 4 |
| OPEN | 5 |
| 22/BRN | 6 |
| 6A/BLU | 7 |
| 13G/BLK | 8 |
| 17/PLUR | 9 |
| 29/WHT | 10 |
| 30/TAN | 11 |
| 31/PNK | 12 |

| WIRE NO. | POS. |
|----------|------|
| 50A/TAN | 1 |
| 46C/BLU | 2 |
| 15/GRN | 3 |
| 32/BRN | 4 |
| 28/GRY | 5 |
| 25/GRN | 6 |
| 26/BLU | 7 |
| 13E/BLK | 8 |

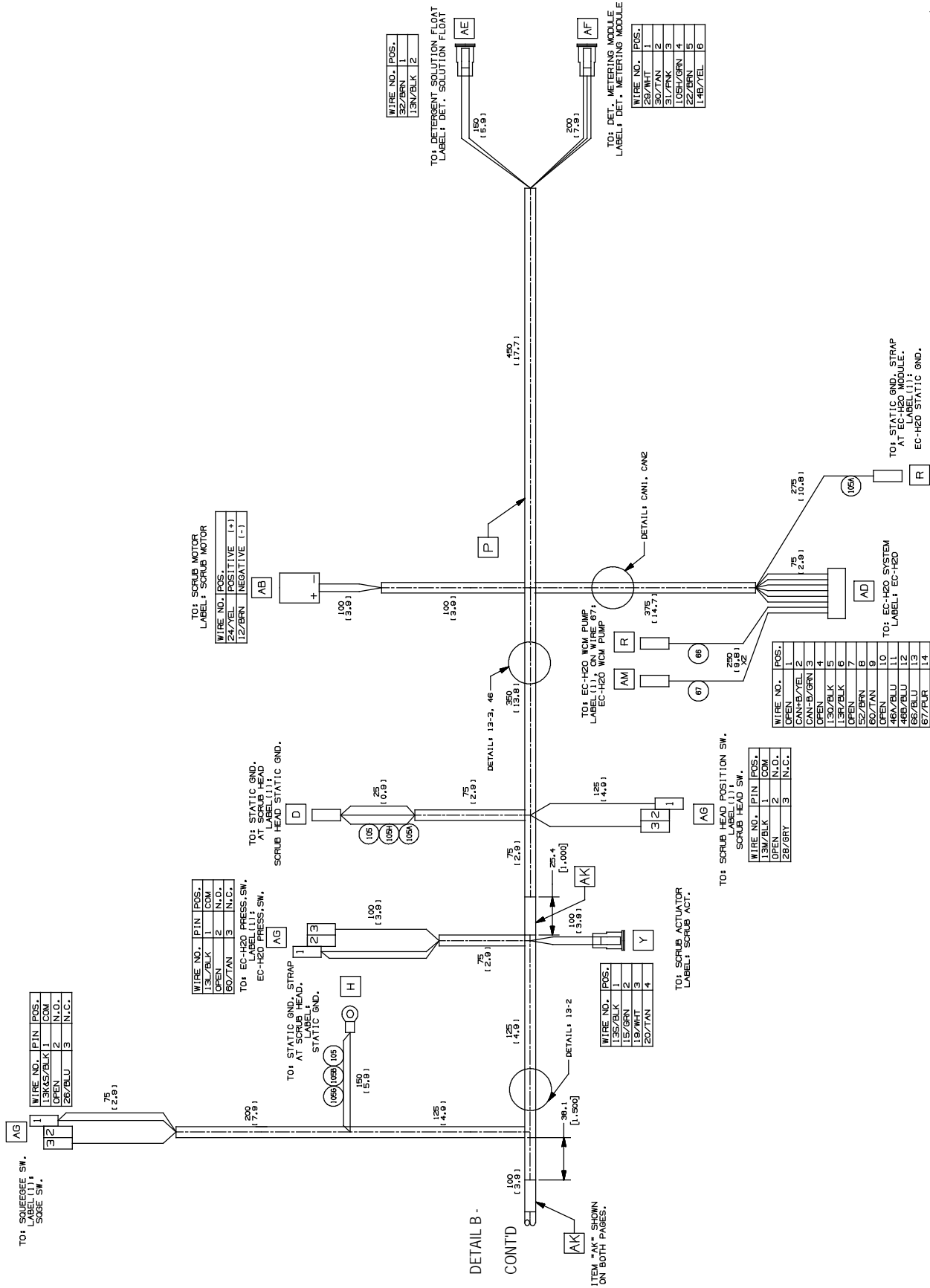
| WIRE NO. | POS. |
|-----------|------|
| CAN+A/YEL | 1 |
| CAN-A/GRN | 2 |
| OPEN | 3 |
| OPEN | 4 |

| WIRE NO. | POS. |
|----------|------|
| 24A/YEL | 1 |
| 24B/YEL | 2 |
| 12A/BRN | 3 |
| 12B/BRN | 4 |
| 18/GRY | 5 |
| 23/ORA | 6 |



ELECTRICAL HARNESS, MAIN PUSH (PAGE 3 OF 3)

1073679



ELECTRICAL HARNESS, MAIN PUSH

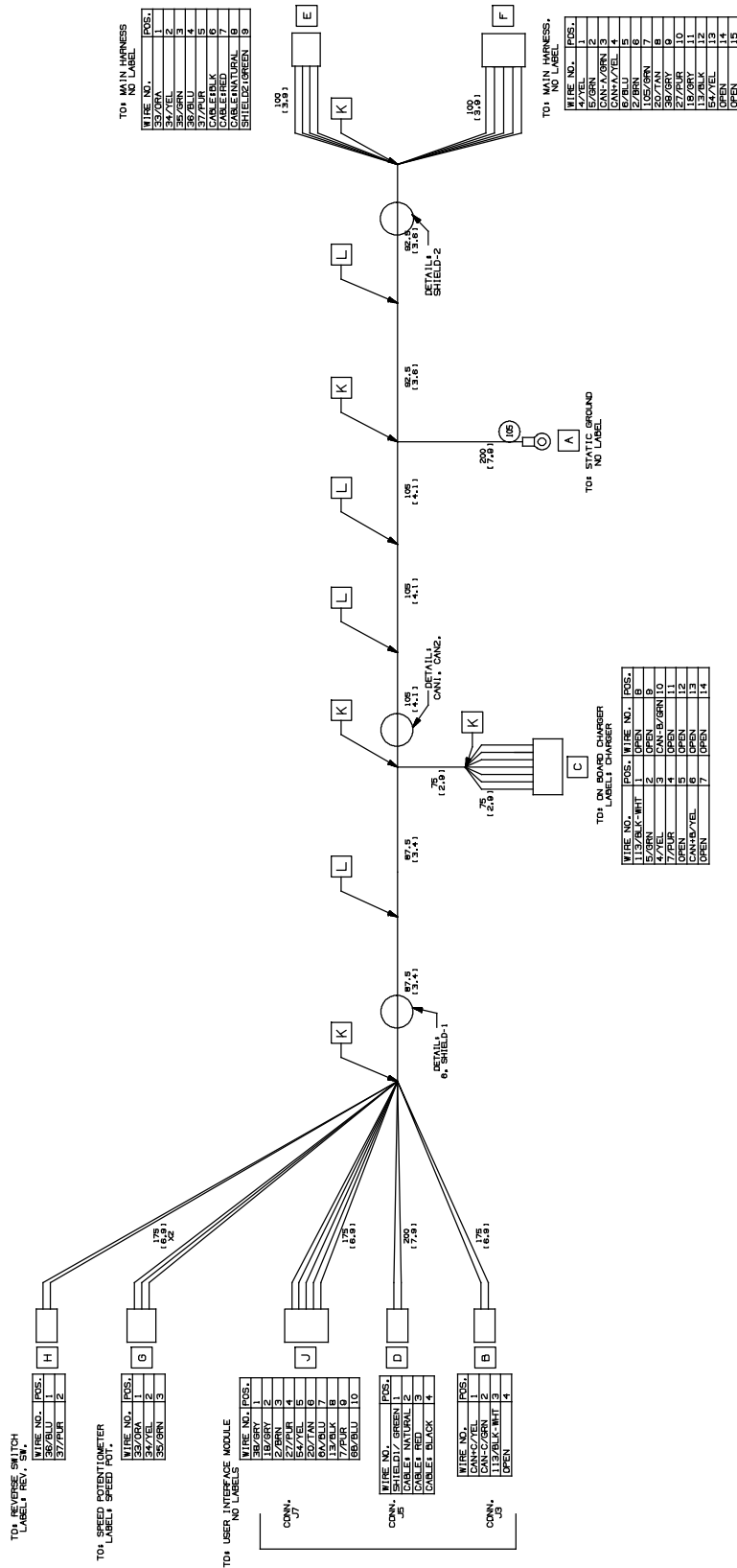
| | Part No. | Serial Number | Description | Qty. |
|---|-----------------|----------------------|--|-------------|
| ▽ | 1073679 | (00000000- |) Harness, Main, Ele [Vw, Premium, Push] | 1 |
| ▲ | 222290 | (00000000- |) Diode, Ele, Plug | 3 |

▽ ASSEMBLY

▲ INCLUDED IN ASSEMBLY

ELECTRICAL HARNESS, OPTIONS PROPEL

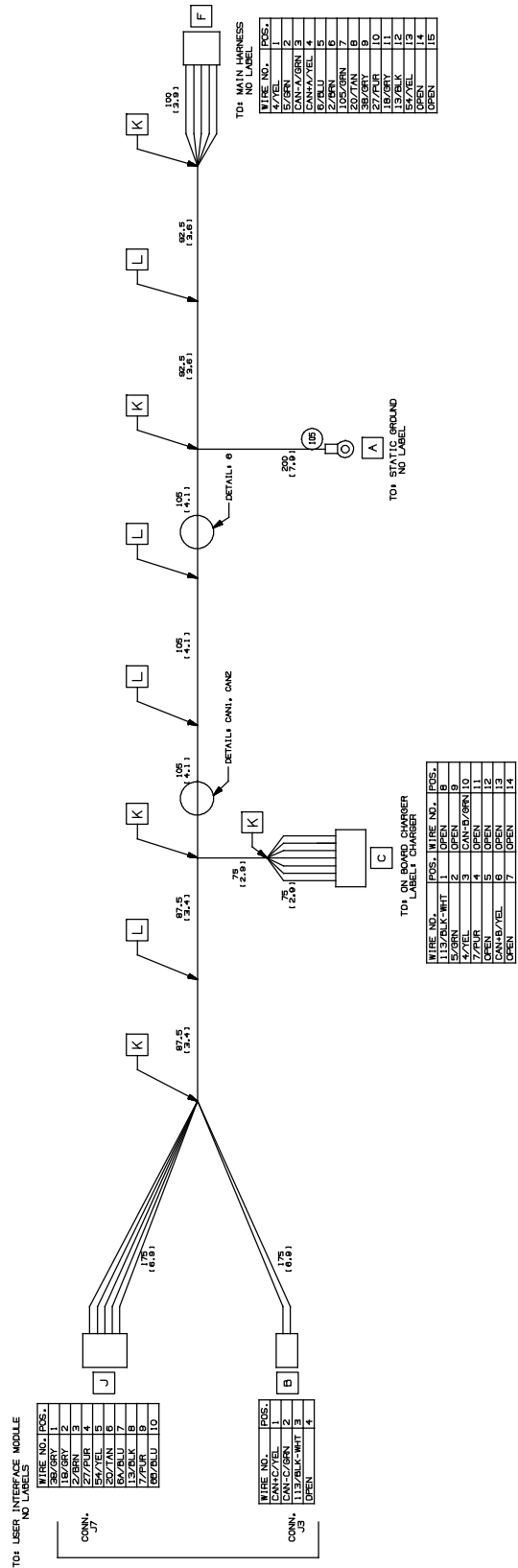
1073592



| Part No. | Serial Number | Description | Qty. |
|----------|---------------|-----------------------------------|------|
| 1073592 | (0000000-) | Harness, Ele [Vw, Op.Sta, Propel] | 1 |

ELECTRICAL HARNESS, OPTIONS PUSH

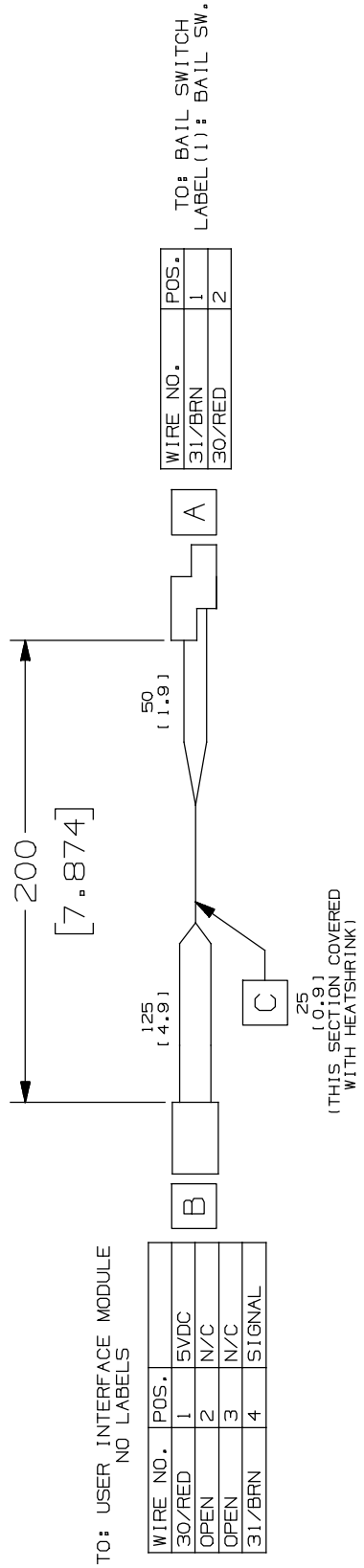
1073593



| Part No. | Serial Number | Description | Qty. |
|----------|---------------|------------------------------------|------|
| 1073593 | (0000000- |) Harness, Ele [Vw, Op.Stat, Push] | 1 |

ELECTRICAL HARNESS, BAIL SWITCH

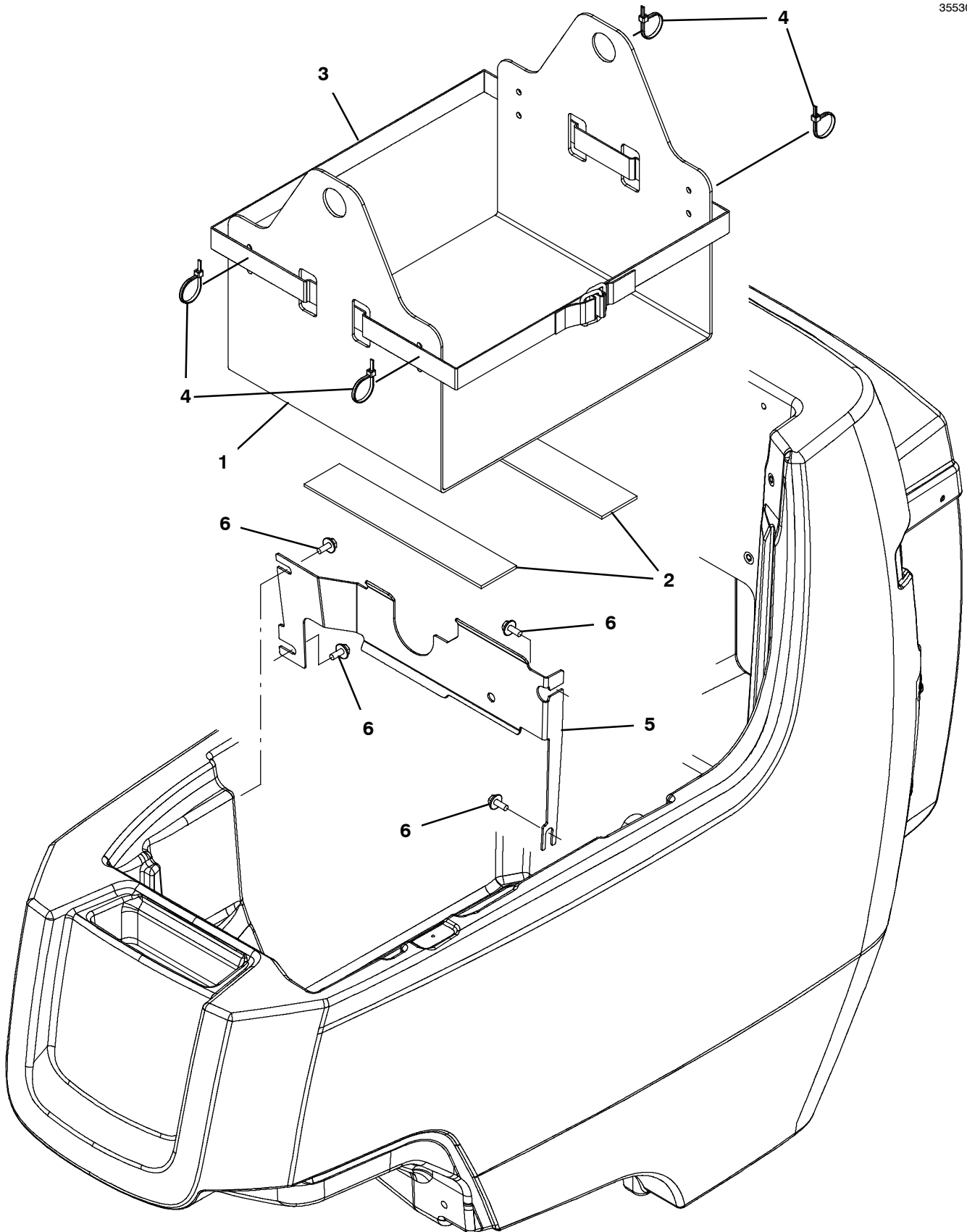
1072524



| Part No. | Serial Number | Description | Qty. |
|----------|---------------|------------------------------|------|
| 1072524 | (00000000- |) Harness, Ele [Bail Switch] | 1 |

BATTERY LIFT OUT BOX KIT

355306



BATTERY LIFT OUT BOX KIT

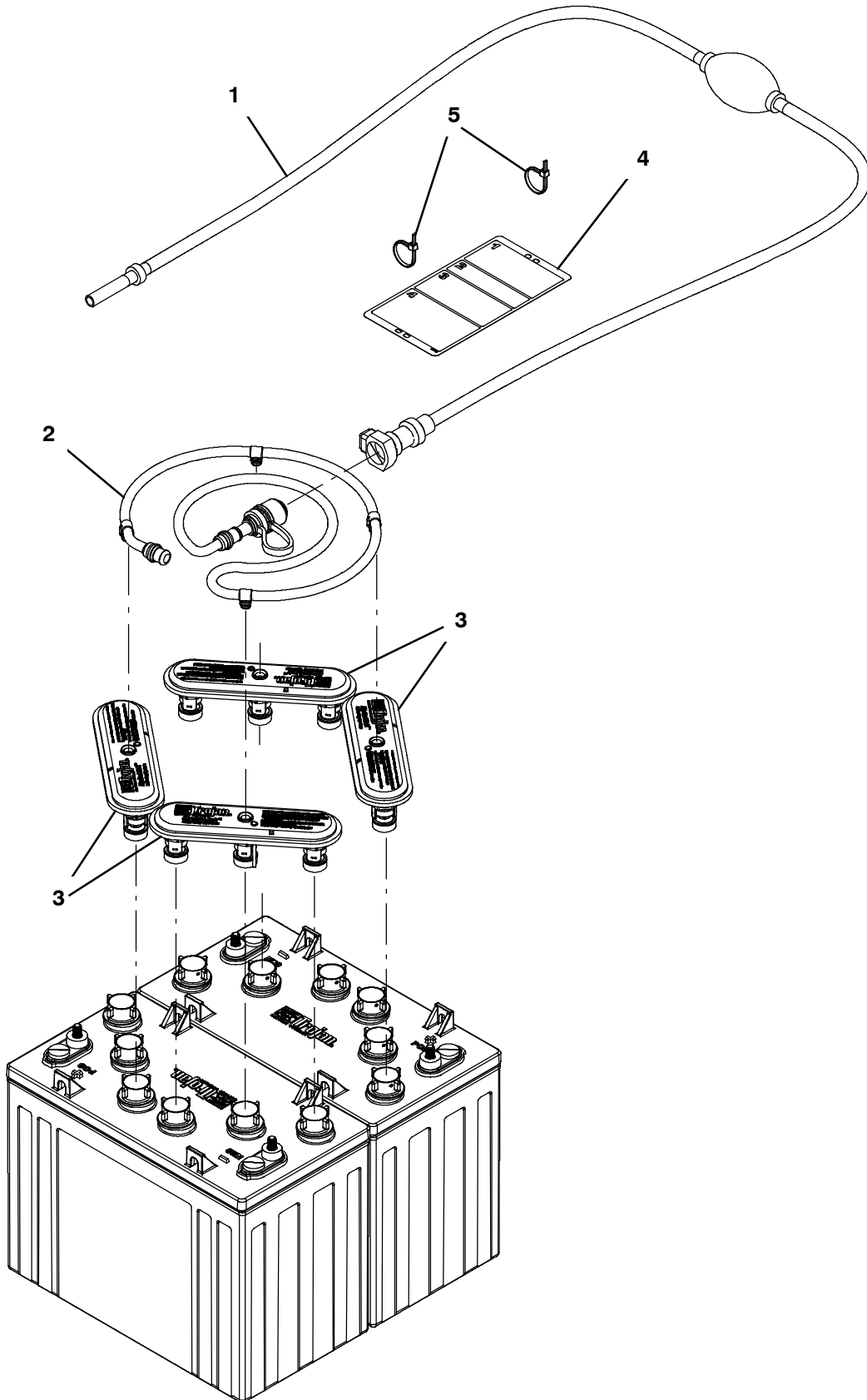
| | Ref. | Part No. | Serial Number | Description | Qty. |
|---|-------------|-----------------|----------------------|--|-------------|
| ▽ | | 9014173 | (00000000- |) Box Kit, Lift, Batt, Am [T300/E/Ss300] | 1 |
| ▲ | 1 | 1207816 | (00000000- |) Box, Battery [Lift- Out] | 1 |
| ▲ | 2 | 1212689 | (00000000- |) Pad, Box, Battery | 2 |
| ▲ | 3 | 1208697 | (00000000- |) Strap, Pyp, Buckle, Friction | 1 |
| ▲ | 4 | 130773 | (00000000- |) Tie, Cable, Nyl, 11.0l, .14w, 3.0 Max. D | 4 |
| ▲ | 5 | 1214509 | (00000000- |) Bracket, Deflector, Battery | 1 |
| ▲ | 6 | 1034731 | (00000000- |) Screw, Hex, M6 X 1.00 X 16, Sems, Ss | 4 |

▽ ASSEMBLY

▲ INCLUDED IN ASSEMBLY

HYDROLINK® BATTERY WATERING SYSTEM KIT

355316



HYDROLINK® BATTERY WATERING SYSTEM KIT

| | Ref. | Part No. | Serial Number | Description | Qty. |
|---|-------------|-----------------|----------------------|---|-------------|
| ▽ | | 9010300 | (00000000- |) Battery Fill Kit, 24v, Ci [Hydrolink] (For Use Only With 155AH Trojan Batteries) | 1 |
| ▲ | 1 | 1058939 | (00000000- |) Pump Kit, Fill, Battery | 1 |
| ▲ | 2 | 1070394 | (00000000- |) Tube, Water, Battery, 24vdc [Trojan] | 1 |
| ▲ | 3 | 1204142 | (00000000- |) Cap, Fill, Battery [Trojan] | 4 |
| ▲ | 4 | 1071084 | (00000000- |) Label, Tag, Battery [Hydrolink Watering] | 1 |
| ▲ | 5 | 130773 | (00000000- |) Tie, Cable, Nyl, 11.0l, .14w, 3.0 Max. D | 2 |

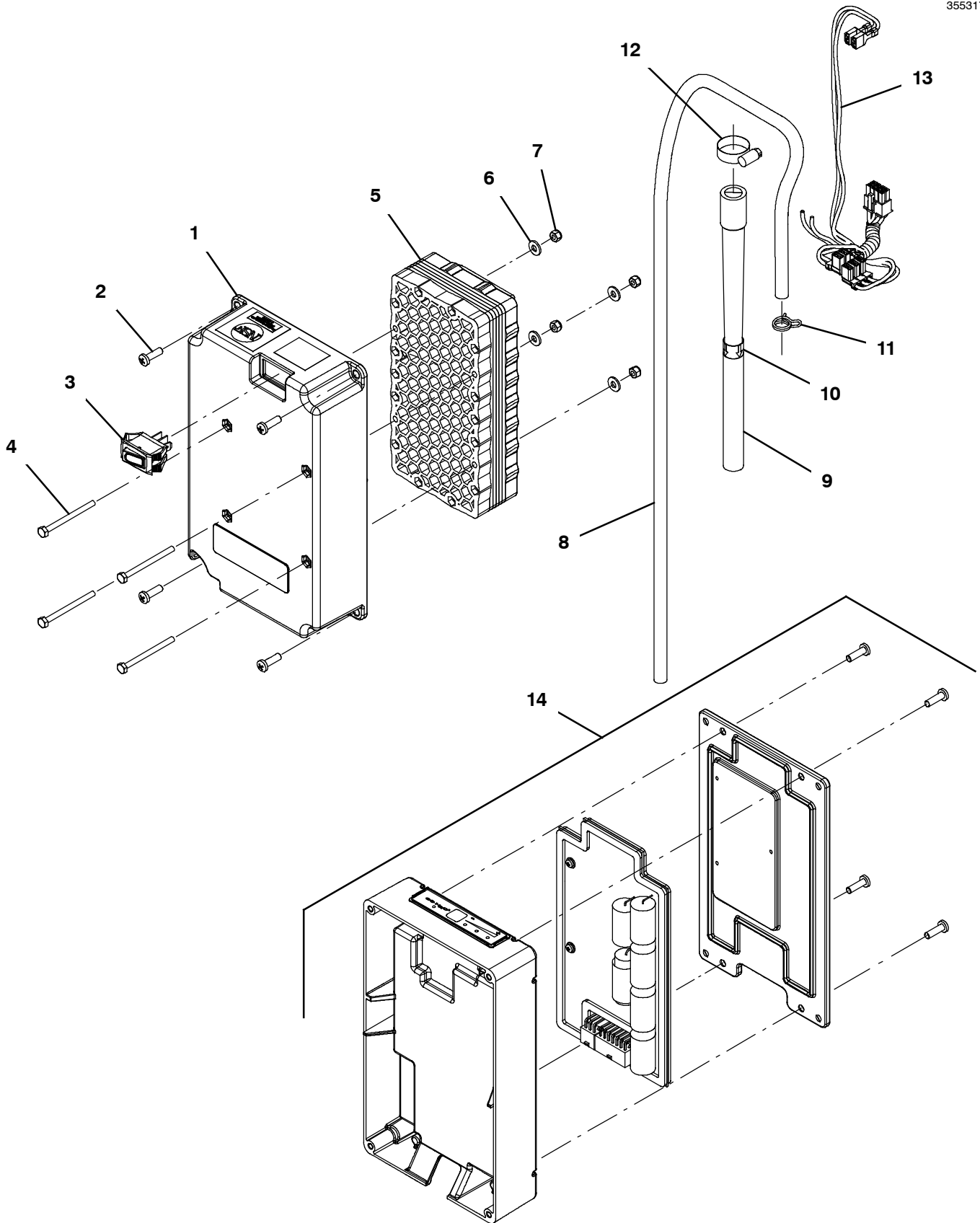
▽ ASSEMBLY

▲ INCLUDED IN ASSEMBLY

HYDROLINK® IS A REGISTERED TRADEMARK OF TROJAN BATTERY COMPANY.

ec- H2O NANOCLEAN MODULE BREAKDOWN

355317



ec- H2O NANOCLEAN MODULE BREAKDOWN

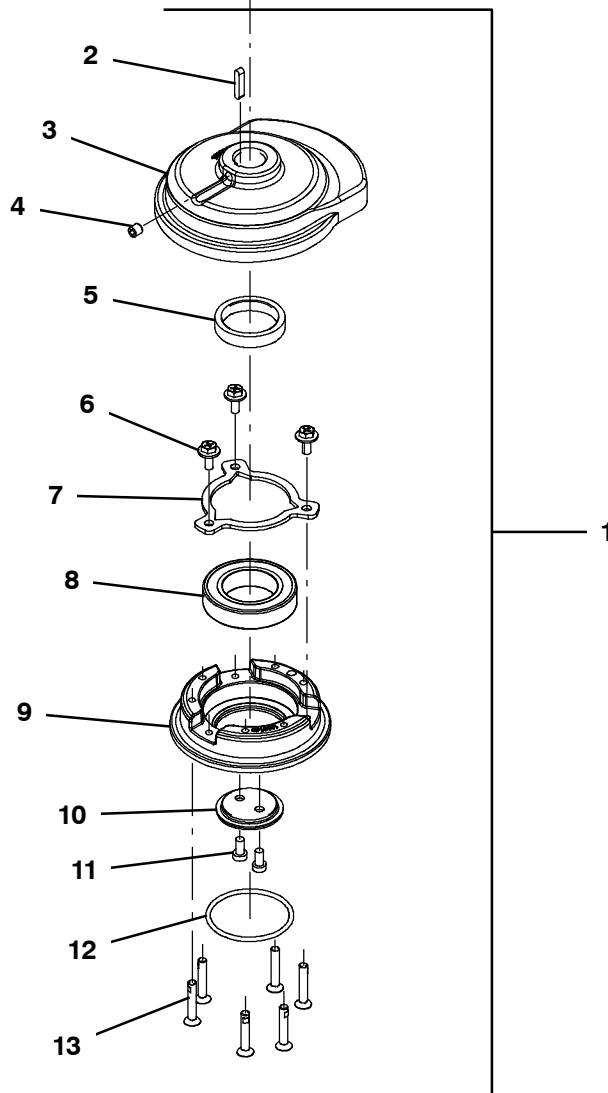
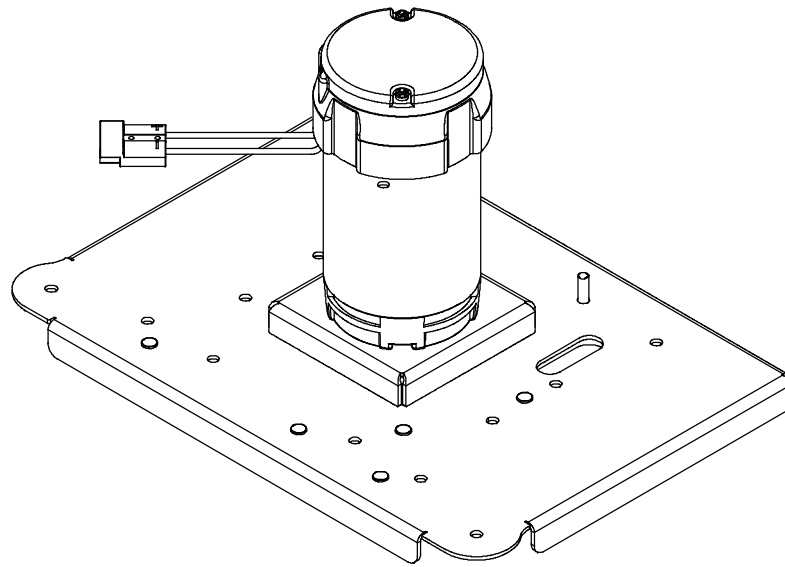
| | Ref. | Part No. | Serial Number | Description | Qty. |
|----|-------------|-----------------|----------------------|---|-------------|
| ▽ | | 9011810 | (00000000- |) Module Kit, Replmt [Ec- H2o, B 02] | 1 |
| ▲▽ | | 9014126 | (00000000- |) Ec- H2o Nc Kit [Module B, Plumbing] | 1 |
| ▲▲ | 1 | 1208823 | (00000000- |) Housing, Module, Upper, Ec- H2o | 1 |
| ▲▲ | 2 | 1015506 | (00000000- |) Screw, Pan, Phl, M5 X 16, Tcut [Plastic] | 4 |
| ▲▲ | 3 | 1044393 | (00000000- |) Switch, Rocker, Spst, Mom | 1 |
| ▲▲ | 4 | 32509 | (00000000- |) Screw, Hex, M4 X 0.70 X 50, Ss | 4 |
| ▲▲ | 5 | 1208164 | (00000000- |) Electrode, 5 Plate, High Flow | 1 |
| ▲▲ | 6 | 41579 | (00000000- |) Washer, Flat, 08, Ss | 4 |
| ▲▲ | 7 | 33932 | (00000000- |) Nut, Hex, Lock, M4 X 0.70, Nl, Ss | 4 |
| ▲▲ | 8 | 1006415 | (00000000- |) Hose, Afmkt, Pvc, Clr, 0.25id, 03ft | 1 |
| ▲▲ | 9 | 1208526 | (00000000- |) Hose, Molded, Bm08/Bm06 | 1 |
| ▲▲ | 10 | 1049637 | (00000000- |) Label, Direction [Ec- H2o] | 1 |
| ▲▲ | 11 | 613735 | (00000000- |) Clamp, Hose, Wir, .40 - .42, Yel | 1 |
| ▲▲ | 12 | 54333 | (00000000- |) Clamp, Hose, Wormdrive, 0.31- 0.88d, .31w | 1 |
| ▲▲ | 13 | 1073286 | (00000000- |) Harness, Ele, Module B2 [Ec- H2o] | 1 |
| ▲ | 14 | 9014127 | (00000000- |) Controller Kit, Replmt [Ec- H2o Nc] | 1 |

▽ ASSEMBLY

▲ INCLUDED IN ASSEMBLY

ORBITAL HEAD ECCENTRIC DRIVE BREAKDOWN

355337



ORBITAL HEAD ECCENTRIC DRIVE BREAKDOWN

| | Ref. | Part No. | Serial Number | Description | Qty. |
|---|------|----------|---------------|--|------|
| ▽ | 1 | 9014175 | (00000000- |) Kit, Eccentric Assy, [T300] | 1 |
| ▲ | 2 | 1014328 | (00000000- |) Key, Sq, 05mm X 05mm, 25mm | 1 |
| ▲ | 3 | N/A | (00000000- |) Balance, Eccentric, Step [Machined] | 1 |
| ▲ | 4 | N/A | (00000000- |) Screw, Set, M8 X 1.25 X 8, SS | 1 |
| ▲ | 5 | N/A | (00000000- |) Spacer, Eccentric | 1 |
| ▲ | 6 | N/A | (00000000- |) Screw, Hex, M6 X 1.00 X 16, Sems | 3 |
| ▲ | 7 | N/A | (00000000- |) Plate, Retainer, Brg, Outer | 1 |
| ▲ | 8 | 1206608 | (00000000- |) Bearing, Ball, 1.58b 2.68d 0.59w [2seal] | 1 |
| ▲ | 9 | N/A | (00000000- |) Housing, Bearing, Outer [Machined] | 1 |
| ▲ | 10 | N/A | (00000000- |) Retainer, Bearing, Inner [Qpq] | 1 |
| ▲ | 11 | N/A | (00000000- |) Screw, Soc, M6 X 1.00 X 12, 8.8, Low | 2 |
| ▲ | 12 | 1208266 | (00000000- |) O- Ring, 57.15 X 3.18, Nbr | 1 |
| ▲ | 13 | 1212710 | (00000000- |) Screw, Flt, Soc, M6 X 1.00 X 35, 10.9,NI | 6 |

▽ ASSEMBLY

▲ INCLUDED IN ASSEMBLY