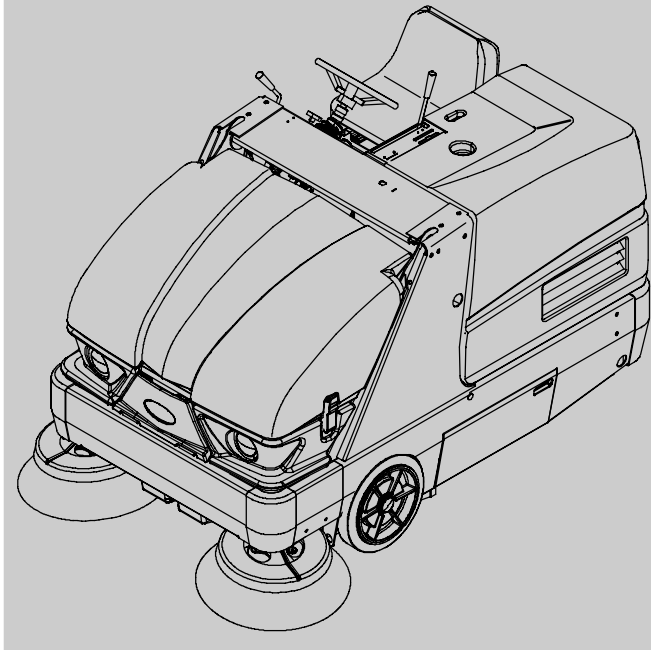




S20

(Diesel)



Sweeper Operator Manual



SweepMax™ System
ShakeMax™ 360
TennantTrue™ Parts and Supplies

North America / International

www.tennantco.com

9006712
Rev. 02 (08-2011)



This manual is furnished with each new model. It provides necessary operation and maintenance instructions.



Read this manual completely and understand the machine before operating or servicing it.

This machine will provide excellent service. However, the best results will be obtained at minimum costs if:

- The machine is operated with reasonable care.
- The machine is maintained regularly - per the machine maintenance instructions provided.
- The machine is maintained with manufacturer supplied or equivalent parts.



PROTECT THE ENVIRONMENT

Please dispose of packaging materials, old machine components such as batteries, hazardous fluids, including antifreeze and oil, in an environmentally safe way according to local waste disposal regulations.



Always remember to recycle.

MACHINE DATA

Please fill out at time of installation for future reference.

Model No. - _____

Serial No. - _____

Machine Options - _____

Sales Rep. - _____

Sales Rep. phone no. - _____

Customer Number - _____

Installation Date - _____

Tennant Company

PO Box 1452

Minneapolis, MN 55440

Phone: (800) 553-8033 or (763) 513-2850

www.tennantco.com



CALIFORNIA PROPOSITION 65 WARNING:

Engine exhaust from this product contains chemicals known to the State of California to cause cancer, birth defects, or other reproductive harm.

Thermo-Sentry, Perma-Filter, InstantAccess, Lower total Cost of Ownership, and Duramer are US registered and unregistered trademarks of Tennant Company.

Specifications and parts are subject to change without notice.

Original Instructions, Copyright © 2009, 2010, 2011 TENNANT Company, Printed in U.S.A.

CONTENTS


	Page		Page
Safety Precautions	4	Engine	36
Operation	8	Cooling System	36
Machine Components	8	Air Filter Indicator	37
Controls And Instruments	9	Air Filter	37
Symbol Definitions	10	Engine Belt	38
Operation Of Controls	12	Valve Clearance	38
Directional Pedal	12	Fuel Filter	38
Brake Pedal	12	Fule Lines	39
Parking Brake Pedal	12	Priming the Fuel System	39
Parking Brake Light	12	Vacuum Fan Belt	39
Main Cover Lever	13	Battery	39
Steering Wheel Tilt Handle	13	Fuses And Relays	40
Main Brush Adjustment Knob	13	Relay Panel Fuses And Relays	40
Side Brush Adjustment Knob	13	Hopper Dust Filter	41
Charging System Light	14	Replacing The Hopper Dust Filter	41
Engine Water Temperature Light	14	Cleaning The Hopper Dust Filter	42
Clogged Dust Filter Light	14	Cleaning The Cyclone Assembly	42
Hopper Temperature Light -		Cyclone Dust Tray Seals	42
Thermo-Sentry	14	Cyclone Perma-filter	43
Glow Plug Light	15	Cyclone Cover Seals	43
Engine Oil Pressure Light	15	Hopper Dust Filter Cover Seal	43
Hopper Door Closed Light	15	Main Brush	44
Clogged Hydraulic Filter Light	15	Replacing Or Rotating The Main Brush	44
Fuel Level Gauge	16	Checking The Main Brush Pattern	45
Hour Meter	16	Adjusting The Main Brush Taper	45
Operating/Hazard Lights Switch	16	Adjusting The Main Brush Width	46
Operator Seat	17	Side Brush(es)	46
Deluxe Suspension Seat (Option)	17	Replacing The Side Brush	46
Seat Belts (Option)	17	Adjusting The Side Brush Pattern	47
Brush Information	18	Side Brush Guard	47
How The Machine Works	18	Side Brush Pivot	47
Pre-operation Checklist	18	Skirts, Flaps, And Seals	48
Starting The Machine	19	Hopper Lip Skirt	48
Stop The Machine	20	Hopper Side Skirt	48
While Operating The Machine	21	Brush Door Skirts	48
Sweeping	22	Rear Skirts	48
Stop Sweeping	23	Side Brush Dust Control Skirts (Option)	49
Emptying The Hopper	24	Brush Door Seals	49
Engaging Hopper Support Bar	26	Hopper Seals	49
Disengaging Hopper Support Bar	27	Hopper Access Door Seal	49
Options	29	Inner Hopper Access Door Seal	
Vacuum Wand	29	(Option - Vacuum Wand Only)	50
Tower Bumpers (Option)	30	Hopper Door Seals	50
Machine Troubleshooting	31	Filter Chamber Inlet Seal	50
Maintenance	32	Brakes And Tires	51
Maintenance Chart	32	Brakes	51
Lubrication	34	Tires	51
Engine Oil	34	Rear Wheel	51
Rear Wheel Support	34	Propelling Motor	51
Front Wheel Bearings	34	Pushing, Towing, And Transporting	
Hopper Lift Arm Pivots	34	The Machine	52
Hydraulics	35	Pushing Or Towing The Machine	52
Hydraulic Fluid Reservoir	35	Transporting The Machine	52
Hydraulic Fluid	35	Machine Jacking	54
Hydraulic Hoses	36	Storage Information	54


CONTENTS

	Page
Specifications	55
General Machine Dimensions/Capacities .	55
General Machine Performance	55
Power Type	56
Steering	56
Hydraulic System	56
Braking System	56
Tires	56
Machine Dimensions	57
Index	58

SAFETY PRECAUTIONS

The following precautions are used throughout this manual as indicated in their description:

 **WARNING:** To warn of hazards or unsafe practices that could result in severe personal injury or death.


 **CAUTION:** To warn of unsafe practices that could result in minor or moderate personal injury.

FOR SAFETY: To identify actions that must be followed for safe operation of equipment.

Do not use the machine other than described in this Operator Manual. The machine is not designed for use on public roads.

The following information signals potentially dangerous conditions to the operator or equipment:


 **WARNING:** Moving belt and fan. Keep away.

 **WARNING:** Machine emits toxic gases. Serious injury or death can result. Provide adequate ventilation.

 **WARNING:** Raised hopper may fall. Engage hopper support bar.

 **WARNING:** Lift arm pinch point. Stay clear of hopper lift arms.

 **WARNING:** Burn hazard. Hot surface. Do NOT touch.

 **WARNING:** Machine can emit excessive noise. Hearing loss can result. Wear hearing protection. (Cab option only).

 **WARNING:** Accident may occur. Do not operate vacuum wand while driving. (Vacuum wand option only).

FOR SAFETY:

1. **Do not operate machine:**
 - Unless trained and authorized.
 - Unless operator manual is read and understood.
 - Unless mentally and physically capable of following machine instructions.
 - If it is not in proper operating condition.
 - In flammable or explosive areas.
 - In areas with possible falling objects unless equipped with overhead guard.
2. **Before starting machine:**
 - Check for fuel, oil, and liquid leaks.
 - Keep sparks and open flame away from refueling area.
 - Make sure all safety devices are in place and operate properly.
 - Check brakes and steering for proper operation.
 - Adjust seat and fasten seat belt (if so equipped).
3. **When starting machine:**
 - Keep foot on brake and directional pedal in neutral.
4. **When using machine:**
 - Do not pick up burning or smoking debris, such as cigarettes, matches or hot ashes
 - Use brakes to stop machine.
 - Go slow on inclines and slippery surfaces.
 - Use care when reversing machine.
 - Move machine with care when hopper is raised.
 - Make sure adequate clearance is available before raising hopper.
 - Do not raise hopper when machine is on an incline.
 - Do not carry passengers on machine.
 - Always follow safety and traffic rules.
 - Report machine damage or faulty operation immediately.
5. **Before leaving or servicing machine:**
 - Stop on level surface.
 - Set parking brake.
 - Turn off machine and remove key.

6. **When servicing machine:**
 - **Avoid moving parts. Do not wear loose clothing or jewelry.**
 - **Block machine tires before jacking machine up.**
 - **Jack machine up at designated locations only. Support machine with jack stands.**
 - **Use hoist or jack that will support the weight of the machine.**
 - **Wear eye and ear protection when using pressurized air or water.**
 - **Disconnect battery connections before working on machine.**
 - **Avoid contact with battery acid.**
 - **Avoid contact with hot engine coolant.**
 - **Do not remove cap from radiator when engine is hot.**
 - **Allow engine to cool.**
 - **Keep flames and sparks away from fuel system service area. Keep area well ventilated.**
 - **Use cardboard to locate leaking hydraulic fluid under pressure.**
 - **Use Tennant supplied or approved replacement parts.**

7. **When loading/unloading machine onto/off truck or trailer:**
 - **Turn off machine.**
 - **Use truck or trailer that will support the weight of the machine.**
 - **Use winch. Do not drive the machine onto/off the truck or trailer unless the load height is 380 mm (15 in) or less from the ground.**
 - **Set parking brake after machine is loaded.**
 - **Block machine tires.**
 - **Tie machine down to truck or trailer.**

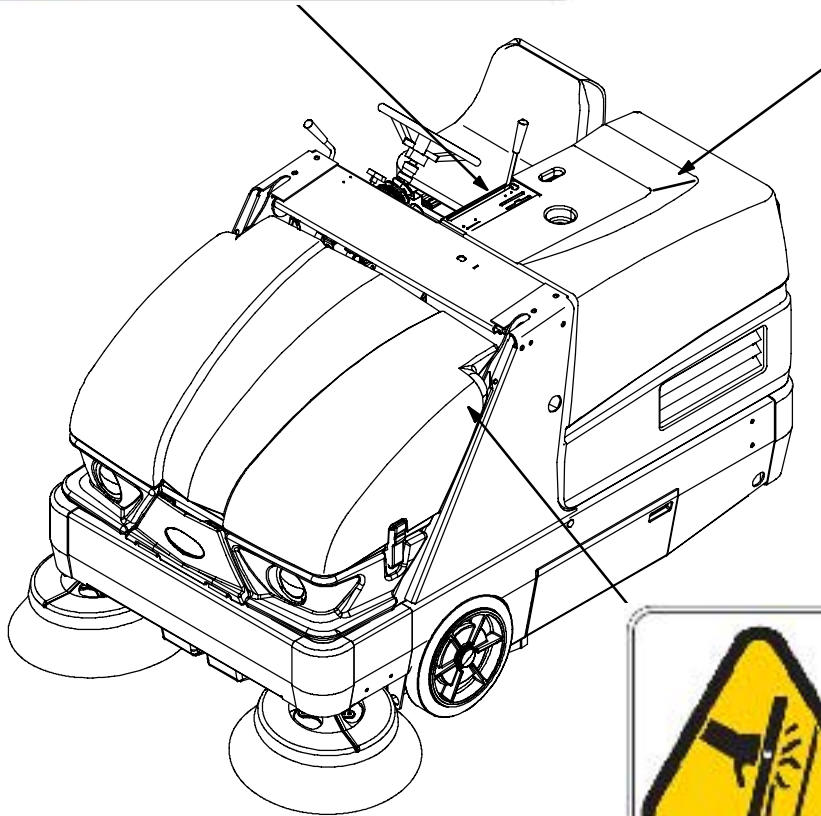
SAFETY PRECAUTIONS

The following safety labels are mounted on the machine in the locations indicated. If any label becomes damaged or illegible, install a new label in its place.

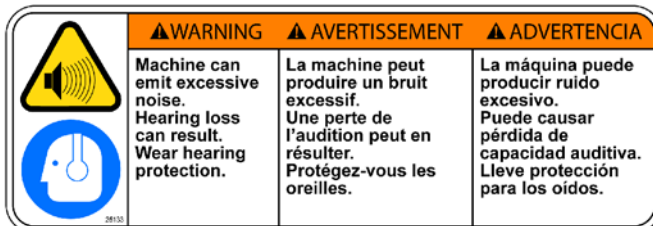
EMISSIONS LABEL - Located on the side of the operator compartment.



FAN AND BELT LABEL - Located on engine belt guard.





HOPPER LIFT ARMS LABEL - Located on both hopper lift arms.




HEARING PROTECTION LABEL - Located only on machines with cab option.

RAISED HOPPER LABEL - Located on the hopper support bar.

 	▲ WARNING ▲ AVERTISSEMENT ▲ ADVERTENCIA		
	Raised hopper may fall. Engage hopper support bar.	La trémie levée peut tomber. Engagez la barre de support de la trémie.	La caja colectoras en posición elevada puede caer. Monte la barra de apoyo.

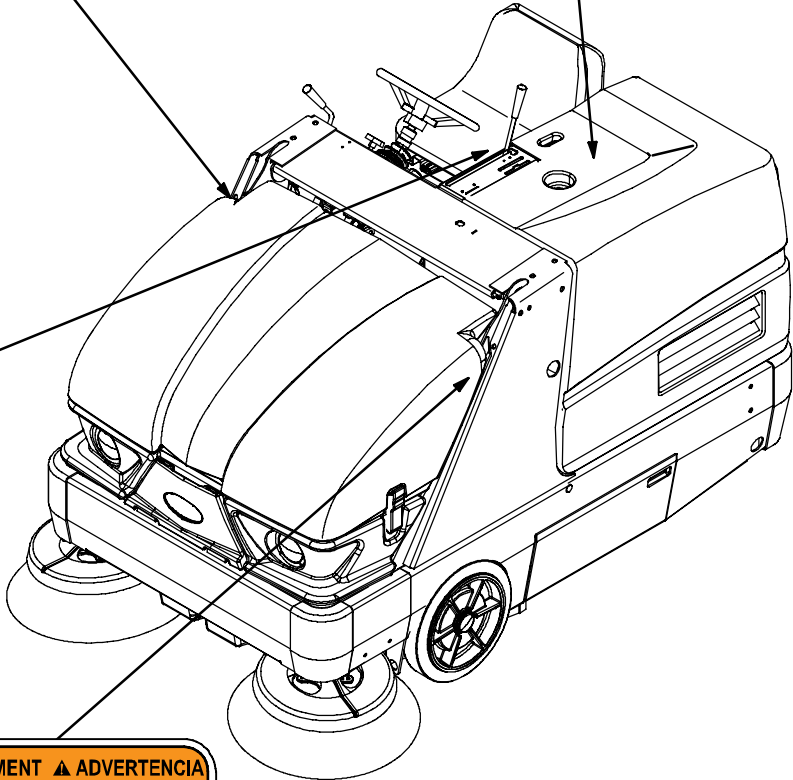
HOT SURFACE LABEL - Located on the exhaust shield.



	▲ WARNING Burn hazard, Hot surface. Do NOT touch.
	▲ AVERTISSEMENT Risque de brûlures. Surface chaude. Ne pas toucher.
	▲ ADVERTENCIA Peligro de quemaduras. Superficie caliente. NO tocar.

FOR SAFETY LABEL - Located on the side of the operator compartment.



FOR SAFETY

Read manual before operating machine.
POUR VOTRE SECURITE
Lisez le manuel avant d'utiliser la machine.
PARA SEGURIDAD
Lea el manual antes de operar la máquina.



 	▲ WARNING ▲ AVERTISSEMENT ▲ ADVERTENCIA		
	Raised hopper may fall. Engage hopper support bar.	La trémie levée peut tomber. Engagez la barre de support de la trémie.	La caja colectoras en posición elevada puede caer. Monte la barra de apoyo.

RAISED HOPPER LABEL - Located on the hopper lift arm.

 	▲ WARNING Accident may occur. Do not operate vacuum or blower wand while driving.	▲ MISE EN GARDE Un accident pourrait se produire. N'activez pas le manche aspirant ou soufflant lorsque vous conduisez.	▲ ADVERTENCIA Podría provocar accidentes. No utilice el tubo de aspiración ni el soplador mientras conduce.
---	---	---	---

VACUUM WAND LABEL - Located on the optional vacuum wand.

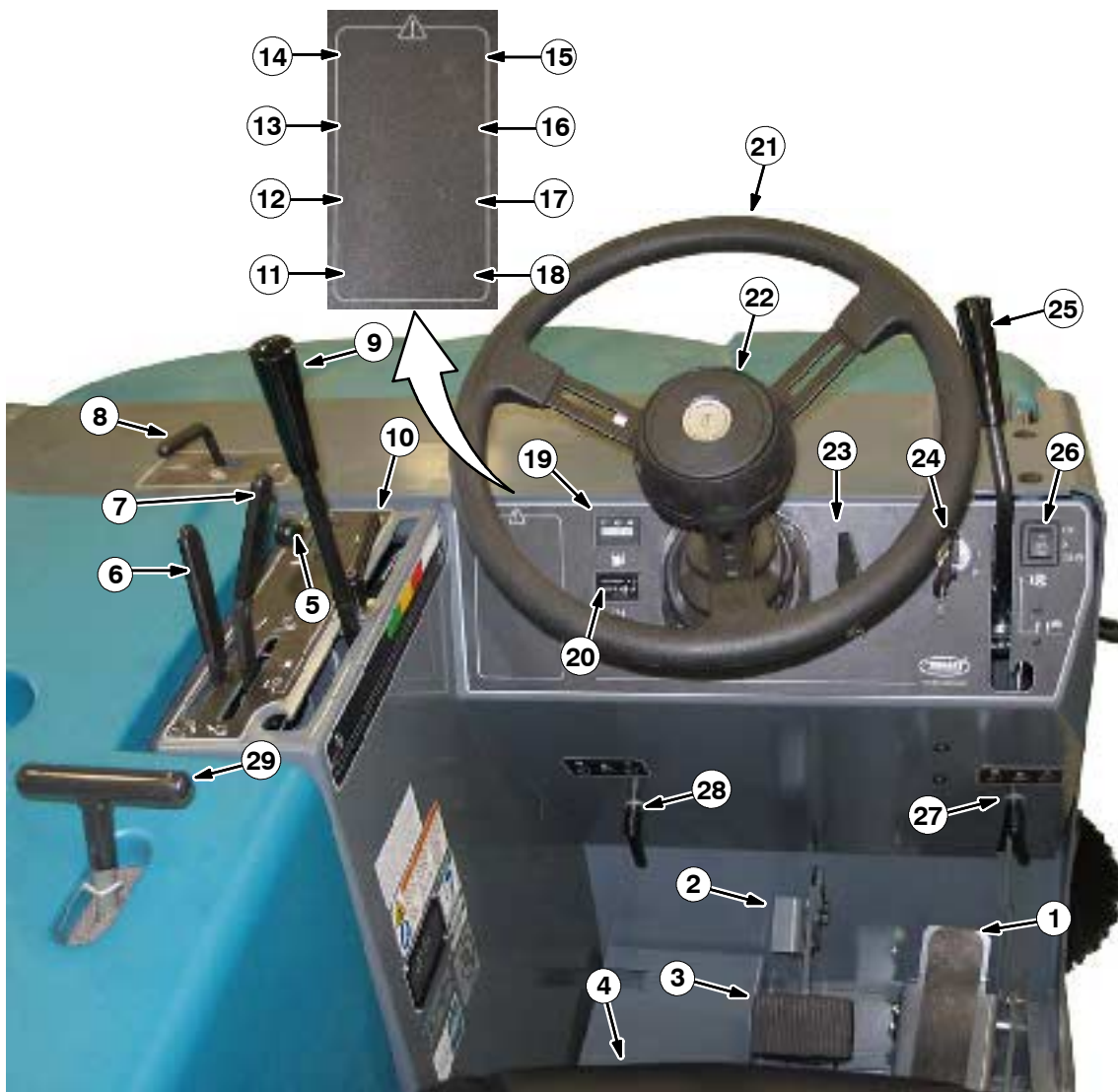
MACHINE COMPONENTS



- 1. Operator seat
- 2. Steering wheel
- 3. Instrument panel
- 4. Hopper cover
- 5. Side brush

- 6. Brush door
- 7. Fuel tank
- 8. Hopper access door
- 9. Main cover

CONTROLS AND INSTRUMENTS



- | | |
|--|---|
| 1. Directional pedal | 17. Hopper door closed light |
| 2. Parking brake pedal | 18. Clogged hydraulic filter light |
| 3. Brake pedal | 19. Fuel level gauge |
| 4. Seat adjustment lever | 20. Hour meter |
| 5. Throttle lever | 21. Steering wheel |
| 6. Hopper raise / lower lever | 22. Horn button |
| 7. Hopper door lever | 23. Steering wheel tilt handle |
| 8. Vacuum and filter shaker lever | 24. Ignition switch |
| 9. Main brush lever | 25. Side brush lever |
| 10. Main brush adjustment knob | 26. Operating / hazard lights switch |
| 11. Hopper temperature light - Thermo-Sentry | 27. Right side brush adjustment knob |
| 12. Clogged dust filter light | 28. Left side brush adjustment knob (Dual side brush option only) |
| 13. Engine water temperature light | 29. Main cover lever |
| 14. Charging system light | |
| 15. Glow plug light | |
| 16. Engine oil pressure light | |

OPERATION

SYMBOL DEFINITIONS

These symbols identify controls, displays, and features on the machine.



Filter shaker



Vacuum fan on



Vacuum fan off



Fast engine speed



Idle engine speed



Hopper down



Hopper up



Hopper door open



Hopper door close (lever)



Main brush down and on



Main brush up and off



Battery charging system



Engine oil pressure



Thermo-Sentry



Clogged dust filter



Hopper door closed (light)



Clogged hydraulic filter



Glow plugs



Hourmeter



Steering wheel tilt



Off



On



Start



Horn



Operating lights



Hazard light



Engine water temperature



Side brush down and on



Side brush up and off



Side brush pressure



Parking brake



Brush pressure (Increase)



Brush pressure (Decrease)



Turn counterclockwise



Turn clockwise



Diesel fuel only

OPERATION

OPERATION OF CONTROLS

DIRECTIONAL PEDAL

Press the top of the *Directional pedal* to move forward and the bottom of the pedal to move backward. The pedal returns to the neutral position when it is released.



BRAKE PEDAL

Press the *Brake pedal* to stop the machine.



PARKING BRAKE PEDAL

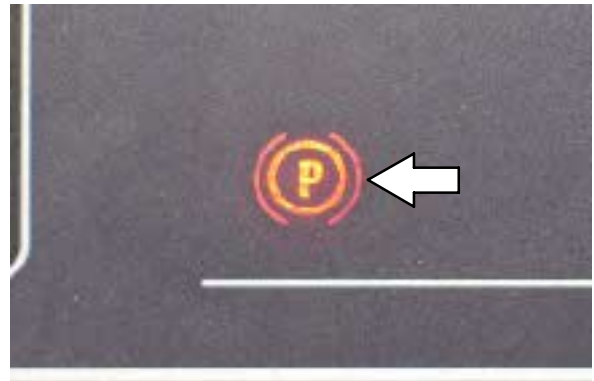
Press the *Brake pedal* down as far as possible and use toe to lock the *Parking brake pedal* into place. Press the *Brake pedal* to release the parking brake. The *Parking brake pedal* will return to the unlocked position.



NOTE: If the operator is not in the seat, the parking brake must be engaged or the machine will automatically shut off after 2 seconds.

PARKING BRAKE LIGHT

The parking brake light comes on when the parking brake is engaged. Release the parking brake before operating the machine.

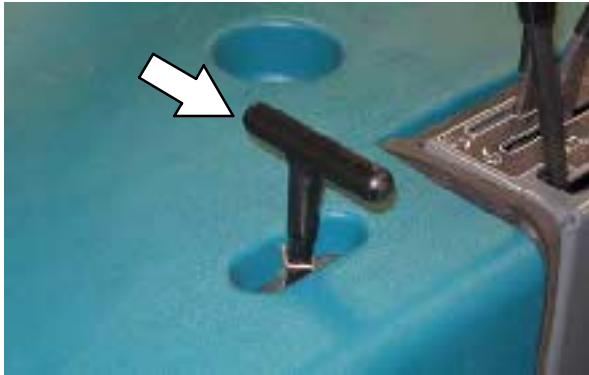


MAIN COVER LEVER

The main cover lever releases and locks the seat support.

Release: Pull the lever back and lift the main cover.

Lock: Close the main cover and release the lever to lock the cover in place.



STEERING WHEEL TILT HANDLE

The steering wheel tilt handle controls the angle of the steering wheel.

Adjust: Pull out the tilt handle, move the steering wheel up or down, and release the tilt handle.



MAIN BRUSH ADJUSTMENT KNOB

The main brush adjustment knob changes the amount of contact the main brush has with the surface being swept. Refer to *ADJUSTING THE MAIN BRUSH WIDTH* section of this manual.

NOTE: The main brush adjustment knob can be repositioned if it interferes with any of the controls. Lift the knob, turn it to the desired position, and release it.



SIDE BRUSH ADJUSTMENT KNOB

The side brush adjustment knob changes the amount of contact the side brush has with the surface being swept. Refer to *ADJUSTING THE SIDE BRUSH PATTERN* section of this manual.

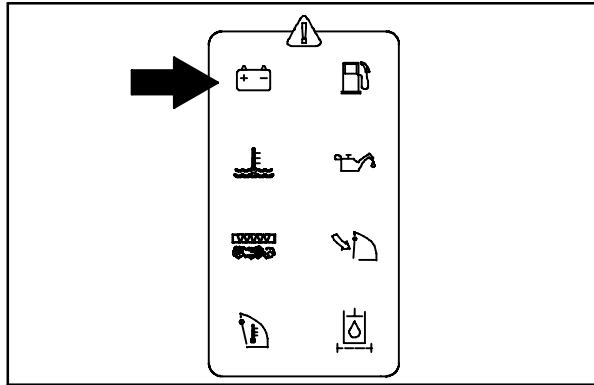
NOTE: The side brush adjustment knob can be repositioned. Lift the knob, turn it to the desired position, and release it.



OPERATION

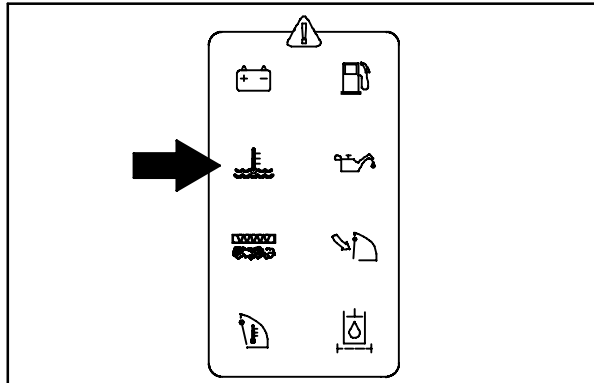
CHARGING SYSTEM LIGHT

The charging system light comes on when the alternator is not operating within normal range; 13.5 to 14.5 V. If the light comes on, stop operating the machine. Contact a TENNANT service representative.



ENGINE WATER TEMPERATURE LIGHT

The engine water temperature light comes on when the temperature of the engine coolant is more than 113° C (235° F). If the light comes on, stop operating the machine. Contact a TENNANT service representative.

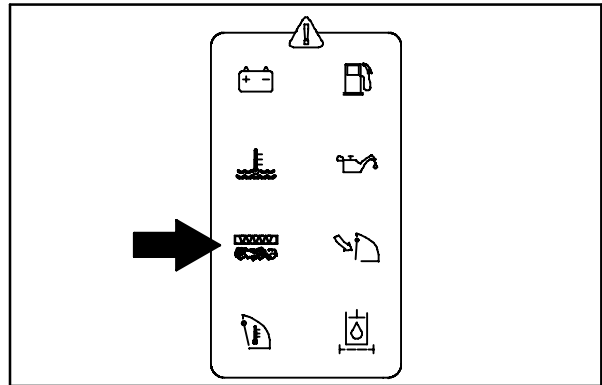


CLOGGED DUST FILTER LIGHT

The clogged dust filter light comes on when the hopper dust filter is clogged.

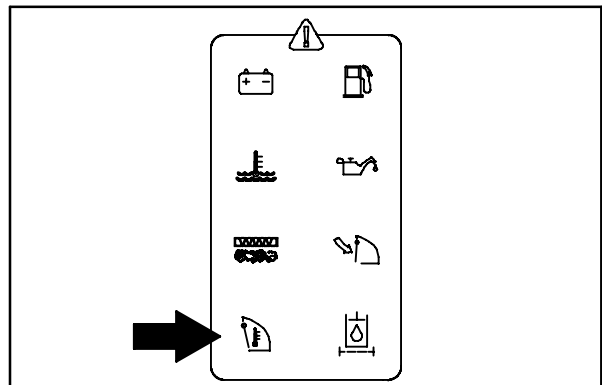
To clean the filter, hold the vacuum and filter shaker lever in the **Filter shaker** position. If the clogged dust filter light remains lit, manually clean the hopper dust filter. See *HOPPER DUST FILTER* in the *MAINTENANCE* section of this manual.

NOTE: The clogged dust filter light also comes on when the hopper door is closed and the vacuum fan is on.



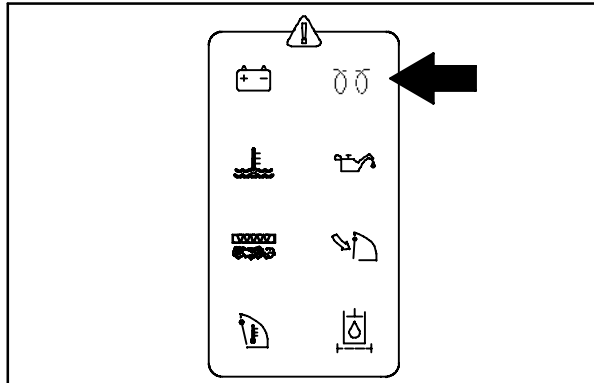
HOPPER TEMPERATURE LIGHT - THERMO-SENTRY

The hopper temperature light comes on when the Thermo-Sentry senses that there is excessive heat in the hopper, possibly from a fire. The Thermo-Sentry will also move the vacuum and filter shaker lever to the **Vacuum fan off** position. If this happens, stop the machine, eliminate the source of the heat, and return the lever to the **Vacuum fan on** position.



GLOW PLUG LIGHT

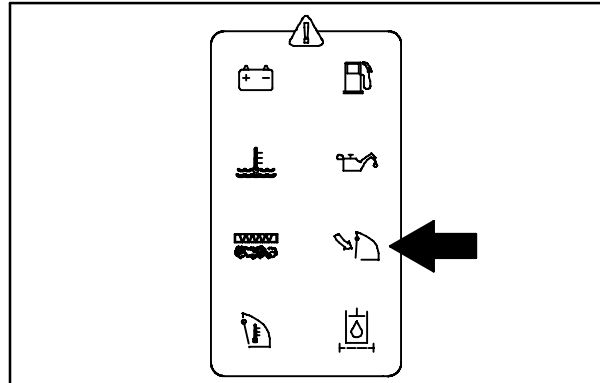
The glow plug light comes on when the ignition switch is turned counterclockwise to the **Glow plugs** position. The light will go out when the engine is ready to start.



HOPPER DOOR CLOSED LIGHT

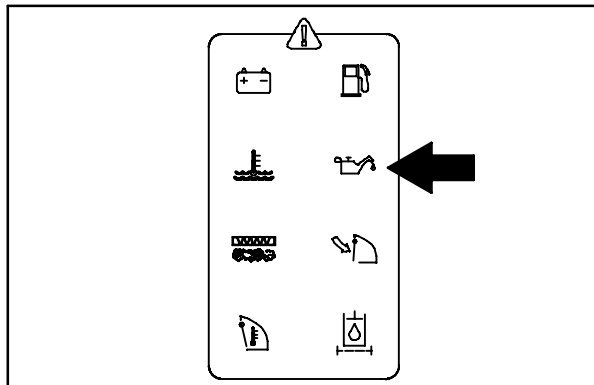
The hopper door closed light comes on when the hopper door is closed.

Make sure the hopper door is open all the way and the hopper door closed light is off, before sweeping.



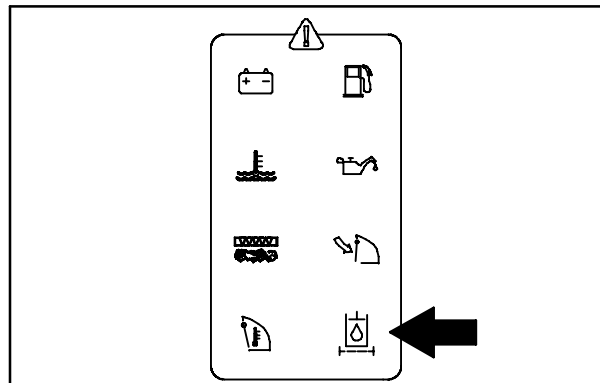
ENGINE OIL PRESSURE LIGHT

The engine oil pressure light comes on when the engine oil pressure falls below 40 kPa (5 psi). If the light comes on, stop operating the machine. Contact a TENNANT service representative.



CLOGGED HYDRAULIC FILTER LIGHT

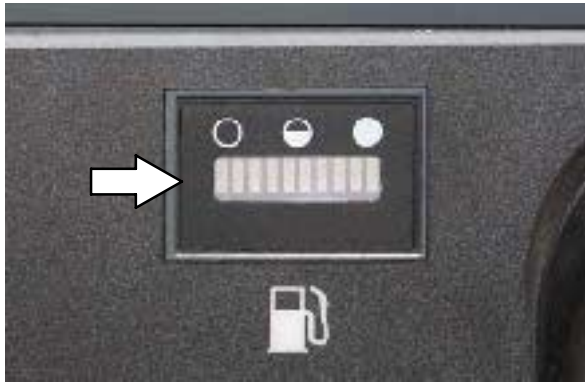
The clogged hydraulic filter light comes on when the hydraulic filter is clogged. If this light remains on, have the hydraulic filter changed as soon as possible.



OPERATION

FUEL LEVEL GAUGE

The fuel level gauge indicates how much fuel is in the fuel tank.



HOUR METER

The *Hour meter* records the hours the machine was operated. Use this information to determine machine service intervals.



OPERATING / HAZARD LIGHTS SWITCH

The operating / hazard lights switch powers on and off the headlights and taillights and the optional hazard light.

Operating lights on: Press the top part of the switch.

Operating / Hazard lights on (Optional): Press the bottom part of the switch.

Off: Place the switch in the middle position.



OPERATOR SEAT

The front-to-back adjustment lever adjusts the seat position.

**DELUXE SUSPENSION SEAT (OPTION)**

The operator seat has three adjustments: backrest angle, operator weight, and front to back.

The operator's weight adjustment lever controls the seat weight adjustment. The lever has three positions: lightweight, middleweight, and heavyweight.



The backrest adjustment knob adjusts the angle of the backrest.



The front-to-back adjustment lever adjusts the seat position.

**SEAT BELTS (OPTION)**

FOR SAFETY: Before starting machine, adjust seat and fasten seat belt (if equipped).



BRUSH INFORMATION

For best results, use the correct brush type for the cleaning application.

NOTE: The amount and type of soilage play an important role in determining the type of brushes to use. Contact a Tennant representative for specific recommendations.

Polypropylene Sand Wedge Main Brush – Recommended for heavy accumulation of sand and other fine particles.

Polypropylene Window Main Brush – Recommended for light litter, especially on smooth floors.

Polypropylene 8-double row Main Brush – Recommended for general sweeping applications.

Polypropylene and Wire 8-double row Main Brush – Recommended for general sweeping and slightly impacted debris.

Polyester 8-double row Main Brush – Recommended for general sweeping, especially on rough or irregular surfaces. Nylon has a long wear life.

Polyester Full Fill Main Brush – Recommended for accumulation of sand and other fine particles. Nylon has a long wear life.

Natural Fiber 8-double row Main Brush – Recommended for accumulation of sand and other very fine particles.

Polypropylene Side Brush – Recommended for general sweeping of light to medium debris.

Nylon Side Brush – Recommended for general sweeping of rough or irregular surfaces. Nylon has a long wear life.

Flat Wire Side Brush – Recommended for outdoor curb-side sweeping where dirt is heavy or compacted.

HOW THE MACHINE WORKS

The steering wheel controls the direction of machine travel. The directional pedal controls the speed and forward/reverse direction. The brake pedal slows and stops the machine.

The side brush sweeps debris into the path of the main brush. The main brush sweeps debris from the floor into the hopper. The vacuum system pulls dust and air through the hopper and the dust control system.

When sweeping is finished, shake the dust filter and empty the hopper.

PRE-OPERATION CHECKLIST

- Check the main sweep brush for damage and wear . Remove string, banding, plastic wrap, or other debris wrapped around the brush.
- Check the main brush compartment right skirt for damage and wear.
- Check the side brush(es) for damage and wear . Remove string, banding, plastic wrap, or other debris wrapped around the brush.
- Check the main brush compartment left skirt for damage and wear.
- Check the air filter indicator.
- Check the engine oil level.
- Check the engine coolant level.
- Check the radiator fins and cooling fan screen for debris.
- Check the hydraulic fluid level.
- Check for rubbing hoses or wires and leaks or obstructions.
- Check all lights for proper operation.
- Check all controls for proper operation.
- Check hopper skirt and brush compartment skirts for damage and wear.
- Check the service records to determine maintenance requirements.

STARTING THE MACHINE

1. Sit in the operator's seat and engage the brakes with the directional pedal in neutral.

FOR SAFETY: When starting machine, keep foot on brake and directional pedal in neutral.



2. Move the throttle lever back into the **Idle engine speed** position.



3. Turn the ignition switch key counterclockwise. The glow plug light will come on. When the glow plug light goes out, the engine is ready to start.



4. Turn the ignition switch key clockwise until the engine starts.

NOTE: Do not operate the starter motor for more than 10 seconds at a time or after the engine has started. Allow the starter to cool between starting attempts or damage to the starter motor may occur.



5. Allow the engine and hydraulic system to warm up three to five minutes.

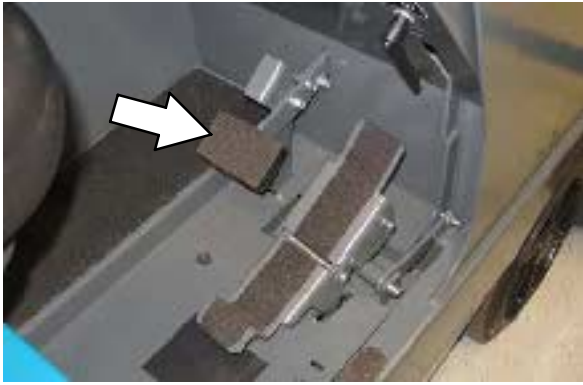
WARNING: Machine emits toxic gases. Severe respiratory damage or asphyxiation can result. Provide adequate ventilation. Consult with your regulatory authorities for exposure limits. Keep engine properly tuned.

6. Move the throttle lever all the way forward into the **Fast engine speed** position.



OPERATION

7. Release the machine parking brake.



8. Drive the machine to the area to be cleaned.

STOP THE MACHINE

1. Stop sweeping.
2. Take your foot off the directional pedal. Step on the brake pedal.



3. Move the throttle lever back into the **Idle engine speed** position.



4. Set the machine parking brake.



5. Turn the ignition switch key counterclockwise to stop the machine. Remove the switch key.



WHILE OPERATING THE MACHINE

Pick up oversized debris before sweeping. Pick up wire, string, twine, large pieces of wood, or any other debris that could become wrapped around or tangled in the brushes.

NOTE: Debris can be placed in the hopper through the hopper access door on the front of the hopper.

Drive as straight a path as possible. Avoid bumping into posts or scraping the sides of the machine. Overlap the sweep paths by several centimeters (a few inches).

Avoid turning the steering wheel too sharply when the machine is in motion. The machine is very responsive to the movement of the steering wheel. Avoid sudden turns, except in emergencies.

Adjust the machine speed and brush pressure. Use the lowest brush pressure for best performance.

Keep the machine moving to prevent damaging floor finishes.

If poor cleaning performance is observed, stop cleaning and refer to *MACHINE TROUBLESHOOTING* in this manual.

Perform the Daily Maintenance Procedures after each use (see *MACHINE MAINTENANCE* in this manual).

Drive the machine slowly on inclines. Use the brake pedal to control machine speed on descending inclines. Sweep with the machine up inclines rather than down inclines.

FOR SAFETY: When using machine, go slow on inclines and slippery surfaces.

The maximum rated incline is 10° or 17.6% with a full hopper and 14° or 25% with an empty hopper.

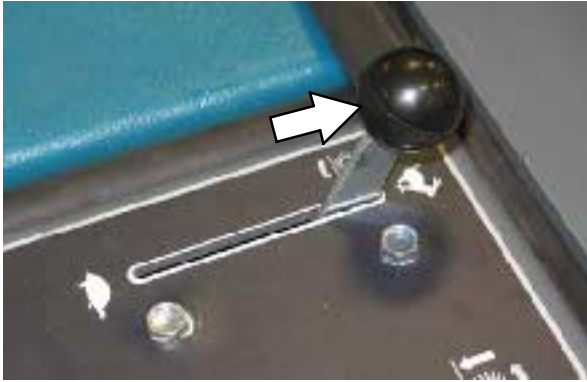
FOR SAFETY: When using machine, do not raise hopper when machine is on an incline.

OPERATION

SWEEPING

1. Ensure that the hopper is completely lowered.
2. Move the throttle lever all the way forward into the **Fast engine speed** position.

*NOTE: Only operate the throttle all the way open in the **Fast engine speed** position when sweeping. Operating the throttle at any other position will reduce performance.*



3. Push the hopper door lever forward to open the hopper door.



4. Move the vacuum and filter shaker lever to the **Vacuum fan on** position.



NOTE: The vacuum fan duct should be off when sweeping wet debris.



*NOTE: Excessive heat in the hopper will cause the Thermo Sentry to move the vacuum and filter shaker lever to the **Vacuum fan off** position. It will also make the hopper temperature light come on. If this happens, stop the machine, eliminate the source of the heat, and return the lever to the **Vacuum fan on** position.*

5. Place the main brush lever in the right **Main brush down and on** position. The brush will automatically start rotating.



2. Place the main brush lever in the left **Main brush up and off** position.



6. Place the side brush lever in the left **Side brush down and on** position. The brush will automatically start rotating.



3. Pull and hold the hopper door lever back until the hopper door closed light comes on.



7. Sweep as needed.

STOP SWEEPING

1. Place the side brush lever in the right **Side brush up and off** position.



4. Shake the dust filter by holding the vacuum and filter shaker lever in the **Filter shaker** position for 30 seconds.



OPERATION

EMPTYING THE HOPPER

1. Stop sweeping and shake the filter.
2. Pull and hold the hopper door lever back until the hopper door closed light comes on.



3. Slowly drive the machine to the debris site or debris container.
4. Pull and hold the hopper raise / lower lever back and raise the hopper to the desired height. Release the lever into the **Hold** position.



FOR SAFETY: When using machine, do not raise hopper when machine is on an incline. Make sure adequate clearance is available before raising hopper.

NOTE: Be aware that the minimum ceiling height needed to high dump the hopper is 2490 mm (98 in).

5. Drive the machine up to the debris container. Position the hopper over the debris container.

FOR SAFETY: When using machine, move machine with care if hopper is raised.

6. Move the vacuum and filter shaker lever into the **Vacuum fan off** position.



7. Push the hopper door lever forward to empty the hopper.



8. Pull and hold the hopper door lever back until the hopper door closed light comes on.



11. Push the hopper door lever forward to open the hopper door.



9. Slowly back the machine away from the debris site or debris container.

FOR SAFETY: When using machine, use care when reversing machine.

10. Push and hold the hopper raise / lower lever forward to lower the hopper. Release the lever into the **Hold** position.



12. Move the vacuum and filter shaker lever into the **Vacuum fan on** position.



OPERATION

ENGAGING HOPPER SUPPORT BAR

1. Set the machine parking brake.



FOR SAFETY: When starting machine, keep foot on brake and directional pedal in neutral.

2. Start the machine.



3. Move the throttle lever all the way forward into the **Fast engine speed** position.



4. Pull and hold the hopper raise / lower lever back and raise the hopper to the desired height. Release the lever into the **Hold** position.



FOR SAFETY: When using machine, make sure adequate clearance is available before raising hopper.

NOTE: Be aware that the minimum ceiling height needed to high dump the hopper is 2490 mm (98 in).

5. Lower and position the hopper support bar onto the support bar stop.



WARNING: Raised hopper may fall. Engage hopper support bar.

6. Slowly lower the hopper so the hopper support bar rests on the support bar stop.



WARNING: Lift arm pinch point. Stay clear of hopper lift arms.

7. Move the throttle lever back into the **Idle engine speed** position.



8. Shut the machine off.



DISENGAGING HOPPER SUPPORT BAR

1. Start the machine.



FOR SAFETY: When starting machine, keep foot on brake and directional pedal in neutral.

2. Move the throttle lever all the way forward into the **Fast engine speed** position.

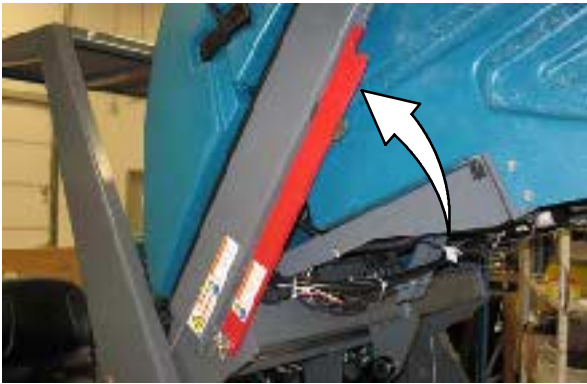


3. Pull and hold the hopper raise / lower lever back and raise the hopper slightly. Release the lever into the **Hold** position.



OPERATION

- Put the support bar in its storage position



- Shut the machine off.

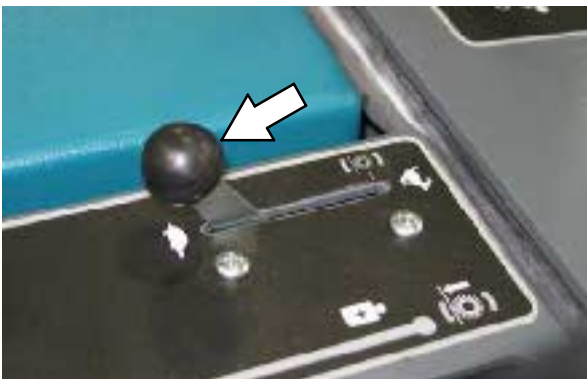


WARNING: Lift arm pinch point. Stay clear of hopper lift arms.

- Push and hold the hopper raise / lower lever forward to lower the hopper. Release the hopper lever into the **Hold** position.



- Move the throttle lever back into the **Idle engine speed** position.



OPTIONS

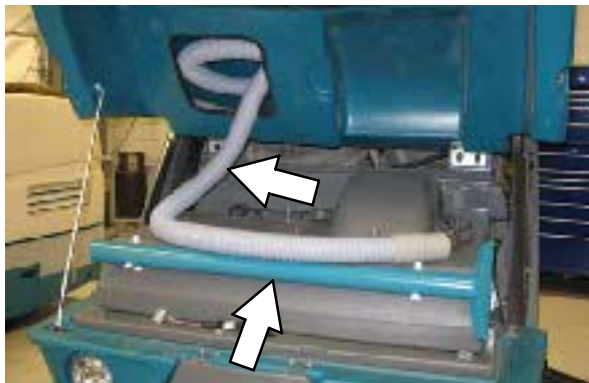
VACUUM WAND

The vacuum wand uses the machine's vacuum system. The vacuum hose and wand allow pick-up of debris that is out of reach of the machine.

1. Stop the machine within reach of the area to be vacuumed.
2. Set the machine parking brake and turn the machine off.

NOTE: If the operator is not in the seat, the parking brake must be engaged or the machine will automatically shut off after 2 seconds.

3. Open the hopper cover and prop the cover open.
4. Remove the vacuum wand from the mounting clips and the hose from the storage compartment.



5. Connect the vacuum hose to the vacuum wand.



6. Open the access door located at the front of the machine.



7. Connect the other end of the vacuum hose to the hopper hose connector.



8. Start the engine.
9. Move the throttle lever all the way forward into the **Fast engine speed** position.



OPERATION

10. Pull and hold the hopper door lever back until the hopper door closed light comes on.



11. Move the vacuum and filter shaker lever into the **Vacuum fan on** position.



12. Vacuum the area as needed.

WARNING: Accident may occur. Do not operate vacuum wand while driving.

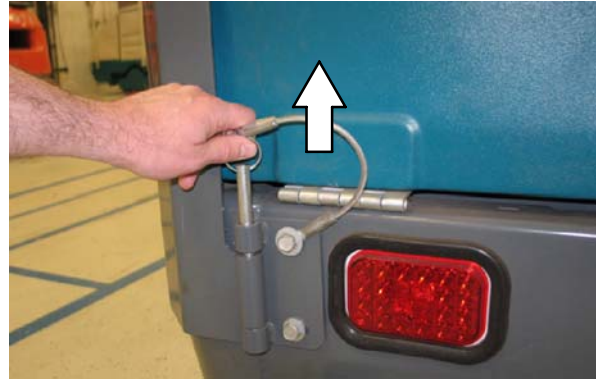
13. When finished, push the hopper door lever forward into the **Hopper door open** position to open the hopper door.
14. Shut the machine off.
15. Remove the vacuum hose from the hopper connection.
16. Close the access door.
17. Disconnect the vacuum hose from the vacuum wand.
18. Put the vacuum wand in the mounting clips and the hose into the storage compartment.
19. Close the hopper cover.

TOWER BUMPERS (OPTION)

The tower bumpers help protect the machine from being damaged. Open the tower bumpers before opening the seat support.

To open the bumpers:

1. Pull the pin from the bracket and the bumper.



2. Open the bumper.

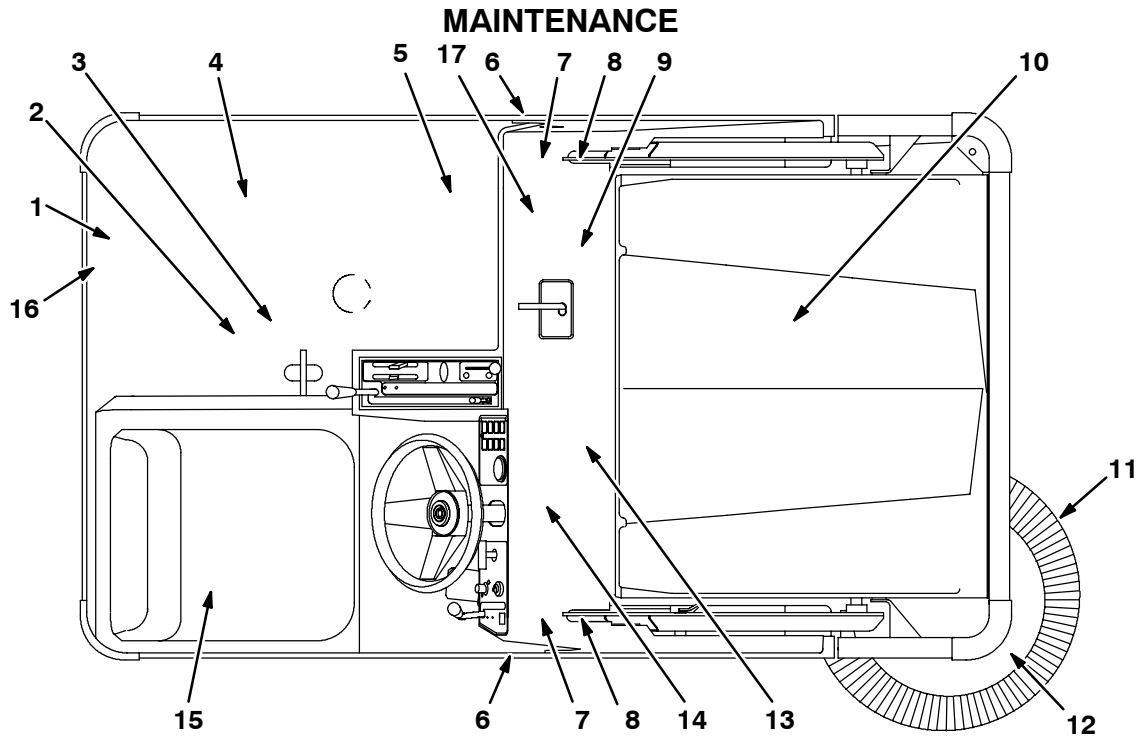


3. Close and secure the tower bumpers before operating the machine.

MACHINE TROUBLESHOOTING

Problem	Cause	Remedy	
Excessive dusting	Hopper door partially or completely closed	Open hopper door	
	Vacuum fan off	Move vacuum and filter shaker lever to Vacuum fan on position	
	Hopper dust filter clogged	Shake and/or clean or replace dust filter	
	Brush skirts and dust seals worn, damaged, out of adjustment	Replace or adjust brush skirts or dust seals	
	Cyclones dirty / clogged	Clear blockage from cyclones	
	Vacuum hose damaged	Replace vacuum hose	
	Vacuum fan failure	Ensure thermo Sentry wires are connected	Contact TENNANT service personnel
		Thermo-Sentry tripped	Allow Thermo-Sentry to cool
Poor sweeping performance	Brush bristles worn	Replace brushes	
	Main and side brushes not adjusted properly	Adjust main and side brushes	
	Debris caught in main brush drive mechanism	Remove debris from the drive mechanism.	
	Hopper door partially or completely closed	Open hopper door	
	Hopper full	Empty hopper	
	Recirculation flap damaged	Replace flap	
	Wrong sweeping brush	Contact TENNANT representative for recommendations	
	Hopper lip skirts worn or damaged	Replace lip skirts	
	Side brush drive failure	Contact TENNANT service personnel	
	Main brush drive failure	Contact TENNANT service personnel	

MAINTENANCE



MAINTENANCE CHART

Interval	Key	Description	Procedure	Lubricant/ Fluid	No. of Service Points
Daily	1	Radiator	Check fins and cooling fan screen. Clean as necessary	-	1
			Check coolant level	WG	1
	4	Engine	Check oil level	EO	1
			Check air filter indicator	-	1
	6	Main brush compartment skirts	Check for damage, wear and adjustment	-	All
	12	Hopper lip skirts	Check for damage, wear and adjustment	-	3
	9	Main brush	Check for damage or wear	-	1
	11	Side brush(es)	Check for damage or wear	-	1
10	Hopper dust filter	Shake	-	1	
50 Hours	15	Hydraulic fluid reservoir	Check fluid level	HYDO	1
	9	Main brush	Rotate end-for-end and check pattern	-	1
	11	Side brush	Check pattern	-	1
	17	Propelling motor	Torque shaft nut (after initial 50 hours only)	-	1
	3	Rear wheel	Torque wheel nuts (after initial 50 hours only)	-	1
	5	Battery	Clean and tighten battery cable connections (after initial 50 hours only)	-	1
4	Fuel pipes and clamps	Check for tightness and wear	-	All	

Interval	Key	Description	Procedure	Lubricant/ Fluid	No. of Service Points
100 Hours	10	Hopper dust filter	Check for damage, clean or replace	-	1
		Cyclone seals	Check for damage or wear	-	All
	7	Tires	Check for damage	-	3
			Check pressure	-	1
	13	Main brush and hopper seals	Check for damage or wear	-	All
	4	Engine	Change oil and filter element	EO	1
Check belt tension			-	1	
200 Hours	2	Rear wheel support bearings	Lubricate	SPL	2
	1	Radiator hoses and clamps	Check for tightness and wear	-	2
	14	Brakes	Check and adjust travel	-	1
	4	Vacuum fan belt	Check tension and wear	-	1
	12	Side brush guard	Rotate 90°	-	1
	8	Hopper lift arm pivots	Lubricate	SPL	2
	12	Side brush pivot(s)	Check adjustment	-	1
400 Hours	7	Front wheel bearings	Check for seal damage	-	2
800 Hours	15	Hydraulic fluid reservoir	Replace filler cap	-	1
			Replace suction strainer	-	1
	16	Hydraulic fluid filter	Change filter element	-	All
	-	Hydraulic hoses	Check for wear and damage	-	All
	17	Propelling motor	Torque shaft nut	-	1
	3	Rear wheel	Torque wheel nuts	-	1
	5	Battery	Clean and tighten battery cable connections	-	1
	4	Engine	Replace fuel filter	-	1
Check valve clearance			-	1	
1	Cooling system	Flush	WG	1	
1200 Hours	16	Hydraulic fluid filter	* Change filter element	-	All
2400 Hours	15	Hydraulic fluid reservoir	* Replace suction strainer	-	1
			* Change hydraulic fluid	HYDO	1

NOTE: Change the hydraulic fluid, filter, and suction strainer, indicated (), after every 800 hours for machines NOT originally equipped with **TennantTrue** premium hydraulic fluid. (See Hydraulics section).*

LUBRICANT/FLUID

EO 10W-30, 10W-40 or 15W-40 Engine oil, API diesel classification CF or better.

HYDO . **TennantTrue** premium hydraulic fluid or equivalent

SPL . . . Special lubricant, Lubriplate EMB grease (TENNANT part no. 01433-1)

WG . . . Water and ethylene glycol anti-freeze, -34° C (-30° F)

NOTE: More frequent intervals may be required in extremely dusty conditions.

MAINTENANCE

LUBRICATION

ENGINE OIL

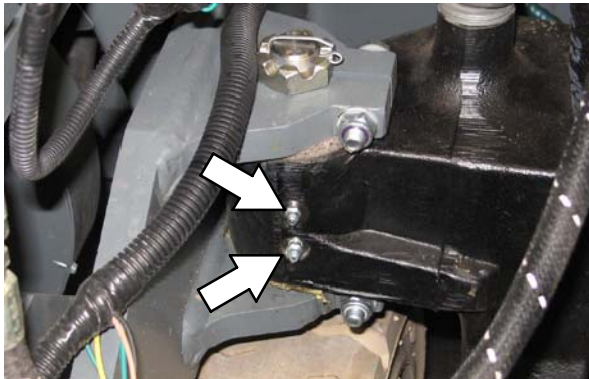
Check the engine oil level daily. Change the oil and oil filter after every 100 hours of operation.



Fill the engine with oil until the oil is between the indicator marks on the dipstick. DO NOT fill past the top indicator mark. The engine oil capacity is 5.1 L (5.4 qt) with oil filter.

REAR WHEEL SUPPORT

Lubricate the rear wheel support bearings after every 200 hours of operation.



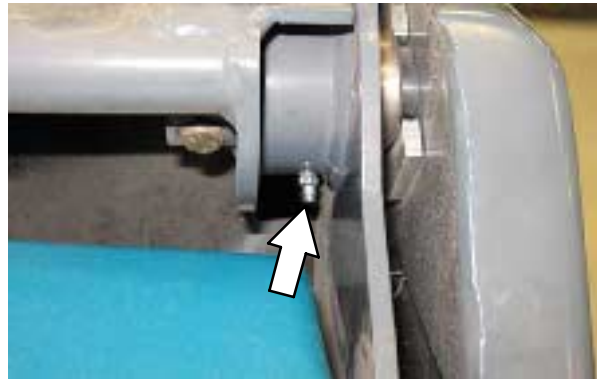
FRONT WHEEL BEARINGS

Repack and adjust the front wheel bearings every 400 hours of operation.



HOPPER LIFT ARM PIVOTS

Lubricate the hopper lift arm bearings after every 200 hours of operation.



HYDRAULICS

HYDRAULIC FLUID RESERVOIR

Check the hydraulic fluid level and operating temperature daily. The hopper must be down when checking the hydraulic fluid level.

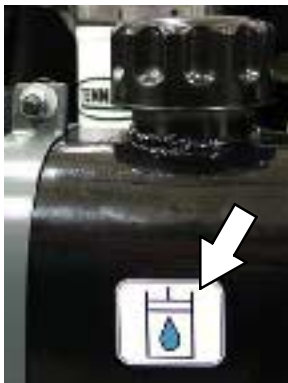


A filler cap is mounted on top of the reservoir. It has a built-in breather and fluid level dipstick. Replace the cap after every 800 hours of operation.

Lubricate the filler cap gasket with a film of hydraulic fluid before putting the cap back on the reservoir.

ATTENTION! Do not overfill the hydraulic fluid reservoir or operate the machine with a low level of hydraulic fluid in the reservoir. Damage to the machine hydraulic system may result.

Drain and refill the hydraulic fluid reservoir with new **TennantTrue** premium hydraulic fluid after every 2400 hours of operation. Machines have a blue colored drop (left photo) on the hydraulic fluid label if originally equipped with **TennantTrue** premium hydraulic fluid.



TennantTrue Fluid



Previous Fluid

*NOTE: Change the hydraulic fluid, filter, and suction strainer after every 800 hours for ALL machines that have NOT consistently used **TennantTrue** premium hydraulic fluid or equivalent.*

The reservoir has a built-in strainer outlet that filters hydraulic fluid before it enters the system. Replace the strainer after every 2400 hours of operation.

The hydraulic fluid filter is located under the radiator. Replace the filter element after every 1200 hours of operation or if the clogged hydraulic filter light remains on. Check the hydraulic fluid level and refill as needed.



HYDRAULIC FLUID

There are two fluids available for different temperature ranges:

TennantTrue premium hydraulic fluid (Extended Life)			
Part number	Ambient temperature	ISO Grade	Capacity
1057710	above 7° C (45° F)	100	3.8 L (1 gal)
1057711	above 7° C (45° F)	100	19 L (5 gal)
1057707	below 7° C (45° F)	32	3.8 L (1 gal)
1057708	below 7° C (45° F)	32	19 L (5 gal)

If using a locally-available hydraulic fluid, be sure the specifications match the Tennant hydraulic fluid specifications. Substitute fluids can cause premature failure of hydraulic components.

ATTENTION! Hydraulic components depend on system hydraulic fluid for internal lubrication. Malfunctions, accelerated wear, and damage will result if dirt or other contaminants enter the hydraulic system.

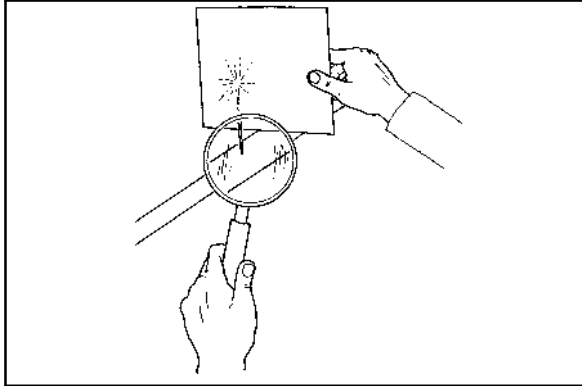
MAINTENANCE

HYDRAULIC HOSES

Check the hydraulic hoses after every 800 hours of operation for wear or damage.

FOR SAFETY: When servicing machine, use cardboard to locate leaking hydraulic fluid under pressure.

High pressure fluid escaping from a very small hole can almost be invisible, and can cause injury.



00002

Contact appropriate personnel if a leak is discovered.

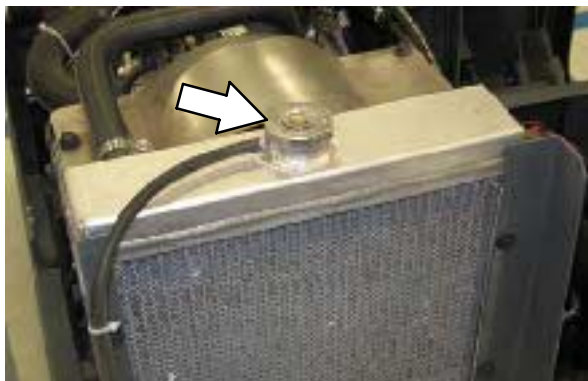
ATTENTION: Only use TENNANT supplied hydraulic hoses or equivalent rated hydraulic hoses.

ENGINE

COOLING SYSTEM

FOR SAFETY: When servicing machine, do not remove cap from radiator when engine is hot. Allow engine to cool.

Check the radiator coolant level daily. Refer to the coolant manufacturer for water/coolant mixing instructions.



FOR SAFETY: When servicing machine, avoid contact with hot engine coolant.

Check the radiator hoses and clamps after every 200 hours of operation. Tighten loose clamps. Replace damaged hoses and clamps.

Check the radiator core exterior and hydraulic cooler fins for debris daily. Blow or rinse (with low pressure air or water) all dust through the grill and radiator fins, the opposite direction of normal air flow. Be careful to not bend the cooling fins when cleaning. Clean thoroughly to prevent the fins from becoming encrusted with dust. To avoid cracking the radiator, allow the radiator and cooler fins to cool before cleaning.

FOR SAFETY: When servicing machine, wear eye and ear protection when using pressurized air or water.



Flush the radiator and the cooling system after every 800 hours of operation.

AIR FILTER INDICATOR

Check the indicator daily. The indicator red line will move as the air filter element fills with dirt. Do not replace the air filter element until the red line reaches 5 kPa (20 in H₂O) and the "SERVICE WHEN RED" window is filled with red. The engine must be running to get an accurate air indicator reading.

FOR SAFETY: When servicing machine, avoid moving parts. Do not wear loose clothing or jewelry.



AIR FILTER

FOR SAFETY: Before leaving or servicing machine, stop on level surface, set parking brake, turn off machine, and remove key.

The engine air filter housing is located in front of the engine compartment under the lintel.

Replace the air filter element when the air filter indicator shows restriction in the air intake system or the filter element is damaged. Refer to *AIR FILTER INDICATOR*.



To remove the filter element, raise the hopper and engage the hopper support bar. Set the parking brake and turn the engine off. Remove the top two dust skirt clips and pull back the dust skirt to access the air filter housing.



WARNING: Raised hopper may fall. Engage hopper support bar.

Remove the filter element. Carefully clean the end cap and the interior of the housing with a damp cloth. Clean the housing sealing surfaces.



MAINTENANCE

Install the filter element into the air filter housing and reinstall the dust cap with the water drain pointing down.

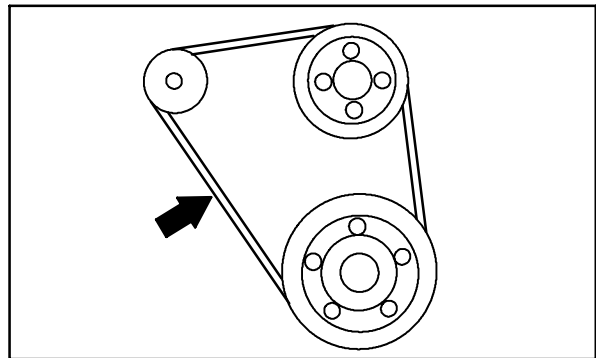


Push the reset button on the end of the indicator to reset the air filter indicator after replacing the air filter element.



ENGINE BELT

Check the engine belt tension after every 100 hours of operation. Adjust tension as necessary. Proper belt tension is 12 mm (0.5 in) from a force of 4.5 kg (10 lb) applied at the mid-point of the longest span.



08935

VALVE CLEARANCE

Check and adjust the valve clearance to 0.145 to 0.185 mm (0.0057 to 0.0072 in) while the engine is cold after every 800 hours of operation.

FUEL FILTER

FOR SAFETY: When servicing machine, keep flames and sparks away from fuel system service area. Keep area well ventilated.

Replace the fuel filter after every 800 hours of operation.



FUEL LINES

Check the fuel lines every 50 hours of operation. If the clamp band is loose, apply oil to the screw of the band and securely tighten the band.



The rubber fuel lines can become worn-out whether the engine has been used much or not. Replace the fuel lines and clamp bands every two years.

FOR SAFETY: When servicing machine, keep flames and sparks away from fuel system service area. Keep area well ventilated.

If the fuel lines and clamp bands are found worn or damaged before two years' time; replace or repair them at once. Bleed the fuel system after replacement of any fuel lines, see PRIMING THE FUEL SYSTEM. When the fuel lines are not installed, plug both ends with clean cloth or paper to prevent dirt from entering the lines. Dirt in the lines can cause fuel injection pump malfunction.

PRIMING THE FUEL SYSTEM

Typical diesel fuel systems require priming to remove pockets of air from the fuel lines and fuel components. This is usually required after running out of fuel, changing fuel filter elements or repairing a fuel system component. Air in the fuel prevents smooth engine operation.

This fuel system however is self-priming. The return line comes from the top of the injector that allows the air to escape through the return line.

VACUUM FAN BELT

Check the vacuum fan belt tension and wear after every 200 hours of operation. The correct tension is when the belt deflects 4 mm (0.16 in) from a force of 0.7 kg (1.5 lb) at belt midpoint.



BATTERY

Clean and tighten the battery connections after the first 50 hours of operation and after every 800 hours after that. Do not remove the vent plugs from the battery or add water to the battery.



FOR SAFETY: When servicing machine, avoid contact with battery acid.

MAINTENANCE

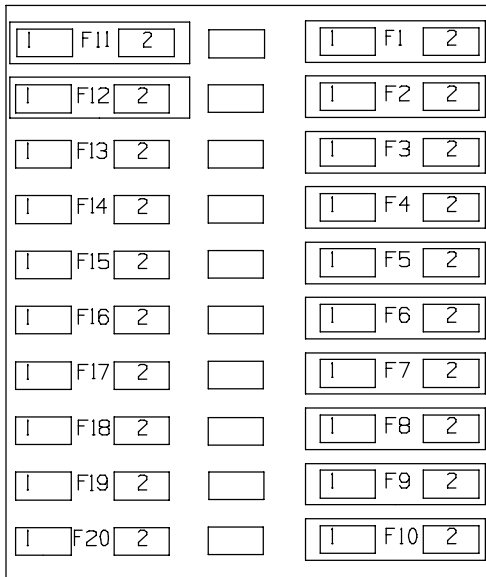
FUSES AND RELAYS

RELAY PANEL FUSES AND RELAYS

Remove the relay panel cover to access fuses and relays. Always replace a fuse with a fuse of the same amperage.



Refer to the diagram below for locations of the *fuses* and *relays* on the relay panel.



Refer to the table below for the *fuses* and circuits protected.

Fuse	Rating	Circuit Protected
FU1	15 A	Thermo-Sentry
FU2	15 A	Engine, Instrumentation
FU3	20 A	Shaker, Instrumentation
FU4	15 A	Lights
FU5	15 A	Horn
FU6	5 A	Windshield Wiper (Optional)
FU7	15 A	Turn Signals (Optional)
FU8	15A	Extra
FU9	5A	Cab Fan (Optional)
FU10	15 A	Extra
FU11	15 A	Extra
FU12	30A	Glow Plugs
FU13	-	Not Used
FU14	-	Not Used
FU15	-	Not Used
FU16	-	Not Used
FU17	-	Not Used
FU18	-	Not Used
FU19	-	Not Used
FU20	-	Not Used

NOTE: Always replace a fuse with a fuse of the same amperage.

Refer to the table below for the *relays* and circuits controlled.

Relay	Rating	Circuit Controlled
M1	12 VDC, 40 A	Starter
M2	12 VDC, 40 A	Thermo-Sentry
M3	12 VDC, 40 A	Engine / Fuel Pump

HOPPER DUST FILTER

REPLACING THE HOPPER DUST FILTER

Shake the dust filter at the end of every shift and before removing the filter from the machine. Inspect and clean the filter after every 100 hours of operation. Replace damaged dust filters.

NOTE: Clean the filter more often if used in extremely dusty conditions.

FOR SAFETY: Before leaving or servicing machine, stop on level surface, set parking brake, and turn off machine.

1. Unlatch and open the hopper cover. Support the hopper cover open with the hopper cover prop rod.



2. Remove the dust filter cover.



3. Remove the dust filter from the hopper.



4. Clean or discard the dust filter element. Refer to *CLEANING THE DUST FILTER*.
5. Clean dust and debris from the dust filter tray.



6. Reinstall the dust filter.
7. Reinstall the dust filter cover.
8. Close the hopper cover.

MAINTENANCE

CLEANING THE HOPPER DUST FILTER

Use one of the following methods to clean the dust filter:

SHAKING—Press the *filter shaker switch*.

TAPPING—Tap the filter gently on a flat surface. **Do not damage the edges of the filter.** The filter will not seal properly if the edges of the filter are damaged.



AIR—Always wear eye protection when using compressed air. Blow air through the center of the filter and out toward the exterior. Never use more than 550 kPa (80 psi) of air pressure with a nozzle smaller than 3 mm (0.13 in) and never hold the nozzle closer than 50 mm (2 in) to the filter.

FOR SAFETY: When servicing machine, wear eye and ear protection when using pressurized air.



CLEANING THE CYCLONE ASSEMBLY

Clean the cyclones and filter housing after every 100 hours of operation.



CYCLONE DUST TRAY SEALS

Check the cyclone dust tray seals for wear, damage, and debris buildup every 100 hours of operation.

NOTE: It is not necessary to remove the cyclone assembly from the machine to check / clean the seals.



CYCLONE PERMA-FILTER

Clean heavy or wet dust and excess debris from the cyclone perma-filter as necessary. Check the cyclone perma-filter for damage every 100 hours of operation.

**CYCLONE COVER SEALS**

Check the cyclone cover seals for wear or damage every 100 hours of operation. Clean dust and debris from the cyclones as necessary.

**HOPPER DUST FILTER COVER SEAL**

Check the hopper dust filter cover seal for wear or damage every 100 hours of operation. Clean dust and debris from the seal as necessary.



MAIN BRUSH

Check the brush daily for wear or damage. Remove any string or wire tangled on the main brush, main brush drive hub, or main brush idler hub.



Check the main brush pattern and rotate the brush end-for-end after every 50 hours of operation, for maximum brush life and best sweeping performance. Refer to *REPLACING OR ROTATING THE MAIN BRUSH*.

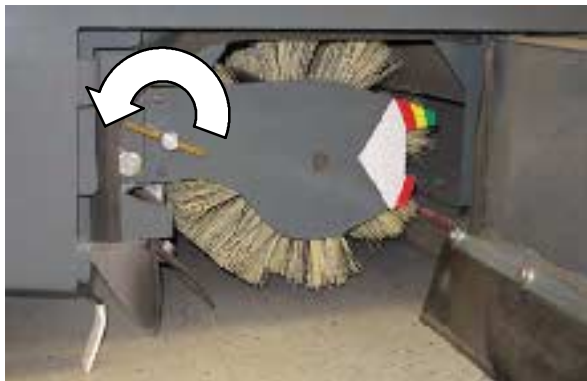
Replace the brush when it no longer cleans effectively.

REPLACING OR ROTATING THE MAIN BRUSH

1. Raise the brush head.

FOR SAFETY: Before leaving or servicing machine, stop on level surface, set parking brake, turn off machine, and remove key.

2. Open the right side main brush access door.
3. Loosen the brush idler plate T-bolt. Remove the brush idler arm assembly.



4. Pull the main brush from the main brush compartment.



5. Replace or rotate the main brush end-for-end.
6. Slide the brush into the brush compartment and all the way onto the drive plug.
7. Reinstall the brush idler plate.



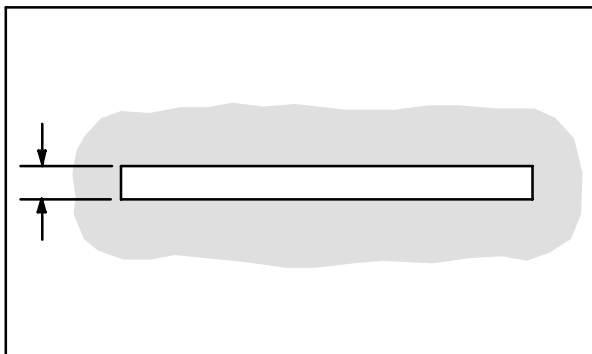
8. Close the main brush access door.
9. Check and adjust the brush pattern if needed. Refer to *CHECKING THE MAIN BRUSH PATTERN*.

CHECKING THE MAIN BRUSH PATTERN

1. Apply chalk, or a similar marking material, to a smooth and level section of the floor.

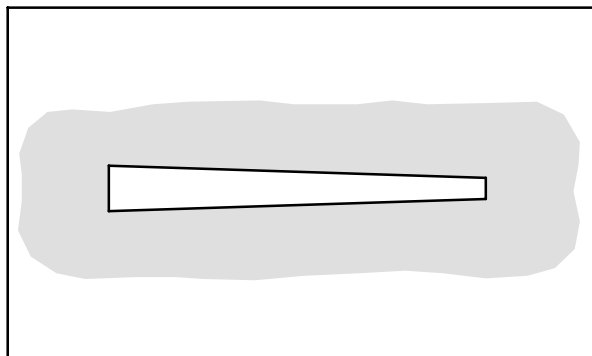
NOTE: If chalk or other material is not available, allow the brush to spin on the floor for two minutes. A polish mark will remain on the floor.

2. Lower the main brush onto the chalked area and hold it there for 15 to 20 seconds without moving the machine.
3. Raise the brush and drive the machine from the chalked area. The brush pattern should be 50 to 65 mm (2.0 to 2.5 in) across the entire length of the brush. Refer to *ADJUSTING THE MAIN BRUSH WIDTH*.



00582

4. If the brush pattern is tapered, see *ADJUSTING THE MAIN BRUSH TAPER* section of this manual.

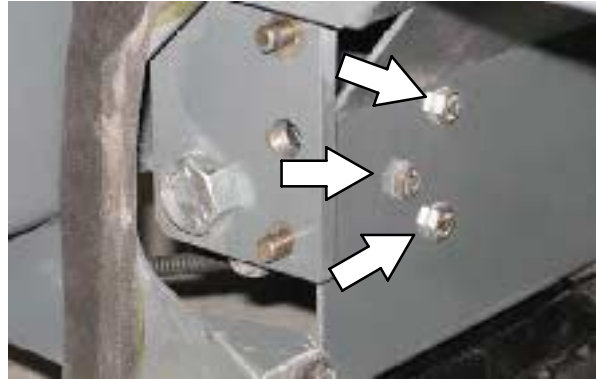


00601

ADJUSTING THE MAIN BRUSH TAPER

FOR SAFETY: Before leaving or servicing machine, stop on level surface, set parking brake, and turn off machine.

1. Remove the brush idler plate and brush.
2. Loosen the shaft bearing bracket mounting bolts.



3. Move the bracket up or down in the slots and tighten the mounting bolts.
4. Reinstall the brush and brush idler plate.
5. Check the main brush pattern and readjust as necessary. Set the main brush adjustment knob to the same color band as the brush idler plate.

MAINTENANCE

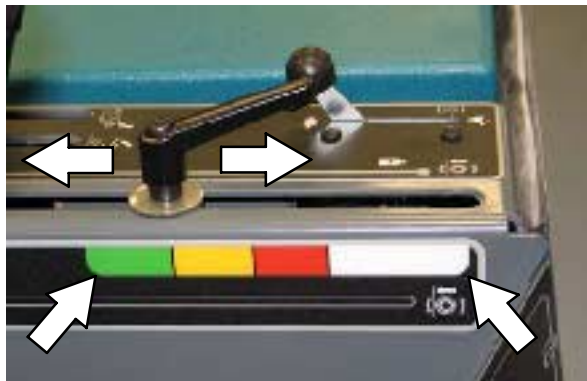
ADJUSTING THE MAIN BRUSH WIDTH

FOR SAFETY: Before leaving or servicing machine, stop on level surface, set parking brake, and turn off machine.

1. Compare the length of the main brush bristles with the color band on the brush idler plate.



2. Loosen the main brush adjustment knob and slide the knob so it matches the color band on the brush idler plate. Retighten the knob.



3. Recheck the pattern. Readjust if necessary.

SIDE BRUSH(ES)

Check the brush(es) daily for wear or damage. Remove any string or wire found tangled in the brush(es) or drive hub(s).

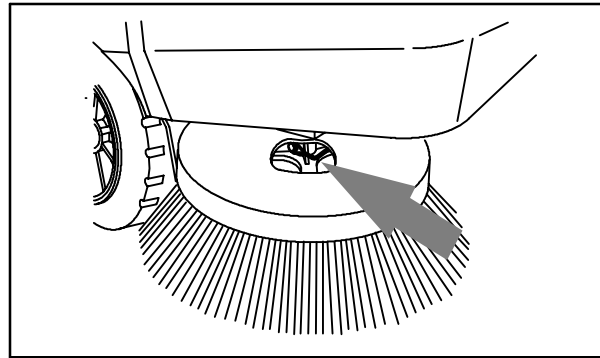
Replace the brush(es) when it no longer cleans effectively.

REPLACING THE SIDE BRUSH

1. Stop the machine, set the parking brake and turn the engine off.

FOR SAFETY: Before leaving or servicing machine, stop on level surface, set parking brake, turn off machine, and remove key.

2. Remove the side brush retaining pin from the side brush drive shaft by pulling the pin keeper off over the end of the pin.



08019

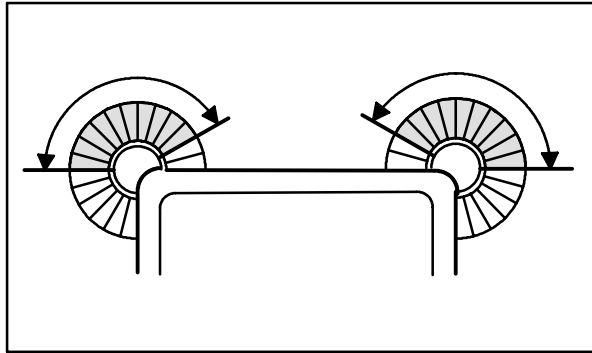
3. Slide the side brush off the side brush drive shaft.

NOTE: Remove the drive hub and put it on the new brush if one is not installed.

4. Slide the new side brush onto the side brush drive shaft.
5. Insert the side brush retaining pin through the side brush hub and shaft.
6. Secure the pin by clipping the pin keeper over the end of the pin.
7. Adjust the side brush pattern with the side brush down pressure knob.

ADJUSTING THE SIDE BRUSH PATTERN

Check the side brush pattern after every 50 hours of operation. The side brush bristles should touch the floor in the patterns shown in the illustration.



Turn the knob(s) counterclockwise to increase the brush pressure and clockwise to decrease the brush pressure.



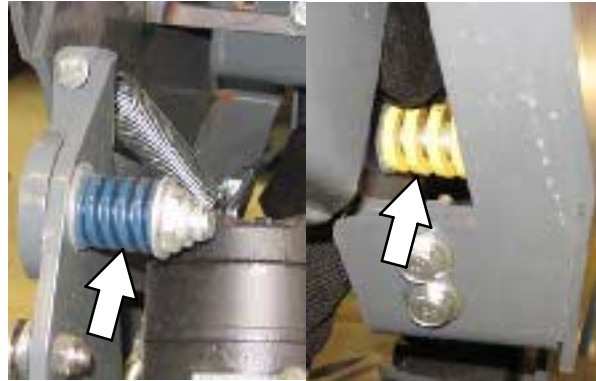
SIDE BRUSH GUARD

Rotate the side brush guard 90° after every 200 hours of operation, or sooner if worn. Replace the brush guard after using all four sides.



SIDE BRUSH PIVOT

The side brush pivot should be checked for excessive movement after every 200 hours of operation.



The side brush side tilt (left to right) is adjusted with the two bolts.



The side brush front to rear tilt is adjusted with the side brush cable and clevis pin.



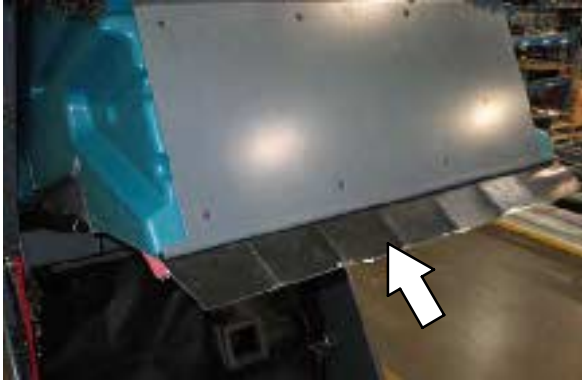
SKIRTS, FLAPS, AND SEALS

HOPPER LIP SKIRT

The hopper lip skirt is located on the bottom rear of the hopper. The skirt floats over debris and helps deflect that debris into the hopper.

Check the hopper lip skirt for wear or damage daily.

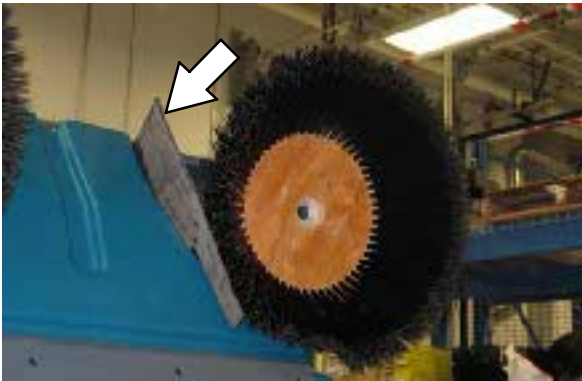
Replace the hopper lip skirt when it no longer touches the floor.



HOPPER SIDE SKIRT

The hopper side skirt is located on the left side of the hopper. The hopper side skirt should clear the floor by 3 mm (0.12 in).

Check the hopper side skirt for wear or damage and adjustment daily.



BRUSH DOOR SKIRTS

The brush door skirts are located on the bottom of each of the two main brush doors. The skirt should clear the floor by 3 mm (0.12 in).

Check the skirts for wear or damage and adjustment daily.

NOTE: The brush door skirts have slotted holes to allow for a ground clearance adjustment. Adjust the skirt height with the door closed.

NOTE: Rear tire pressure will affect skirt clearances.

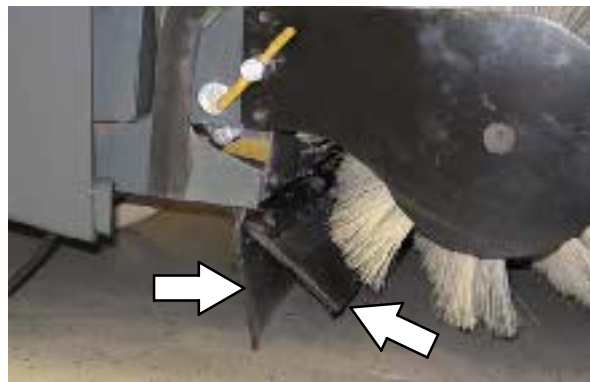


REAR SKIRTS

The two rear skirts are located on the bottom rear of the main brush compartment. The vertical skirt should clear the floor up to 3 mm (0.12 in). The recirculation skirt requires no adjustment.

Check the skirts for wear or damage and adjustment daily.

NOTE: Rear tire pressure will affect skirt clearances.



SIDE BRUSH DUST CONTROL SKIRTS (OPTION)

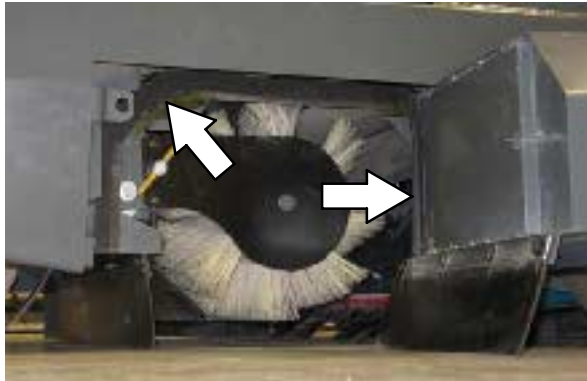
The side brush dust control skirts wrap around the side brush and the front bumper.

Check the side brush dust control skirts for wear or damage daily.

**BRUSH DOOR SEALS**

The brush door seals are located on both main brush doors and on corresponding portions of the main frame.

Check the seals for wear or damage after every 100 hours of operation.

**HOPPER SEALS**

The hopper seals are located on the top and side portions of the hopper.

Check the seals for wear or damage after every 100 hours of operation.

**HOPPER ACCESS DOOR SEAL**

The hopper access door seal is located on the hopper and seals the front of the debris hopper.

Check the seal for wear or damage after every 100 hours of operation.



MAINTENANCE

INNER HOPPER ACCESS DOOR SEAL (OPTION - VACUUM WAND ONLY)

The inner hopper access door seal is located on the hopper and seals the front of the debris hopper.

Check the seal for wear or damage after every 100 hours of operation.



FILTER CHAMBER INLET SEAL

Check the filter chamber inlet seal for wear or damage every 100 hours of operation.



HOPPER DOOR SEALS

The hopper door seals are located on the hopper door. They seal the hopper when the hopper door is closed.

Check the seals for wear or damage after every 100 hours of operation.



BRAKES AND TIRES**BRAKES**

The mechanical brakes are located on the front wheels. The brakes are operated by the foot brake pedal and connecting rods.

Check the brake adjustment after every 200 hours of operation.

TIRES

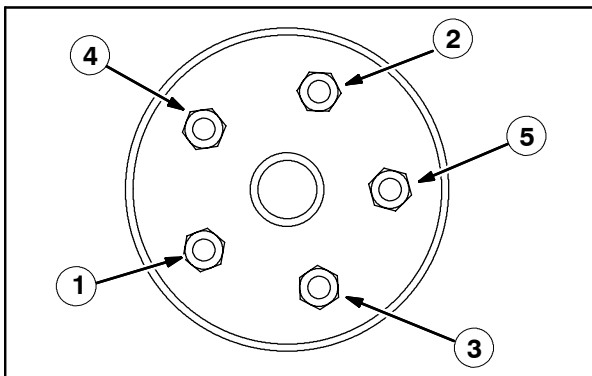
The standard front machine tires are solid. The standard rear machine tire is pneumatic.



Check the front tires after every 100 hours of operation for damage. Check the rear tire pressure after every 100 hours of operation. The proper tire pressure is 795 kPa (115 psi).

REAR WHEEL

Torque the rear wheel nuts twice in the pattern shown to 122 to 155 Nm (90 to 110 ft lb) after the first 50 hours of operation, and every 800 hours of operation.

**PROPELLING MOTOR**

Torque the shaft nut to 270 Nm (200 ft lb) after the first 50 hours of operation and after every 800 hours thereafter.



MAINTENANCE

PUSHING, TOWING, AND TRANSPORTING THE MACHINE

PUSHING OR TOWING THE MACHINE

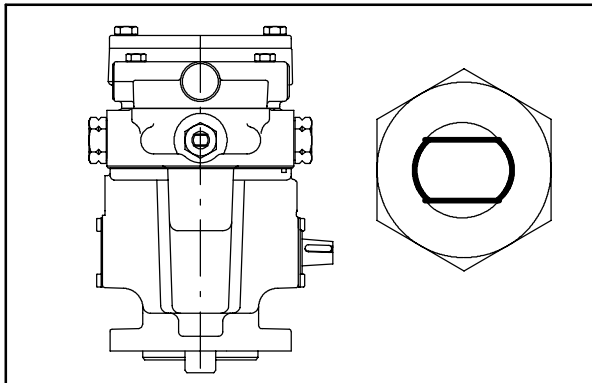
If the machine becomes disabled, it can be pushed from the front or rear, but only towed from the rear.

The propelling pump has a bypass valve to prevent damage to the hydraulic system when the machine is being pushed or towed. This valve allows a disabled machine to be moved for a *very short distance* and at a speed to not exceed 1.6 kp/h (1 mph). The machine is NOT intended to be pushed or towed a long distance or at a high speed.



ATTENTION! Do not push or tow machine for a long distance and without using the bypass valve, or the machine hydraulic system may be damaged.

Turn the bypass valve 90° from the normal position before pushing or towing the machine. **The illustration shows the bypass valve in the pushing or towing position.**



Return the bypass valve to the normal position when through pushing or towing the machine.

TRANSPORTING THE MACHINE

1. Position the machine at the loading edge of the truck or trailer.

FOR SAFETY: Use truck or trailer that will support the weight of the machine.

NOTE: Empty the hopper before transporting.

2. If the loading surface is not horizontal or is higher than 380 mm (15 in) from the ground, use a winch to load machine.

If the loading surface is horizontal AND is 380 mm (15 in) or less from the ground, the machine may be driven onto the truck or trailer.



3. To winch the machine onto the truck or trailer, attach the winching chains to the rear tie down locations. The rear tie-down locations are the holes in the sides of the machine frame near the rear bumper.

- Turn the bypass valve 90° from the normal position before winching the machine onto the truck or trailer. See *PUSHING OR TOWING THE MACHINE* section of this manual. Make sure the machine is centered.



FOR SAFETY: When loading machine onto truck or trailer, use winch. Do not drive the machine onto the truck or trailer unless the loading surface is horizontal AND is 380 mm (15 in) or less from the ground.

- Position the machine onto the truck or trailer as far as possible. If the machine starts to veer off the center line of the truck or trailer, stop and turn the steering wheel to center the machine.
- Set the parking brake and block the machine tires. Tie down the machine to the truck or trailer before transporting.

The front tie-down locations are the holes in the wheel pockets at the front of the machine frame.



The rear tie-down locations are the holes in the sides of the machine frame near the rear bumper.



- If the loading surface is not horizontal or is higher than 380 mm (15 in) from the ground, use a winch to unload machine.

If the loading surface is horizontal AND is 380 mm (15 in) or less from the ground, the machine may be driven off the truck or trailer.

FOR SAFETY: When loading machine onto truck or trailer, use winch. Do not drive the machine onto the truck or trailer unless the loading surface is horizontal AND is 380 mm (15 in) or less from the ground.

- Return the bypass valve to the normal position when through loading the machine. Refer to *PUSHING OR TOWING THE MACHINE* section of this manual.

MAINTENANCE

MACHINE JACKING

Empty the hopper before jacking up the machine. Jack up the machine at the designated locations. Use a hoist or jack capable of supporting the weight of the machine. Use jack stands to support the machine.

FOR SAFETY: Before leaving or servicing machine, stop on level surface, set parking brake, turn off machine, and remove key.

FOR SAFETY: When servicing machine, block machine tires before jacking machine up. Use a hoist or jack that will support the weight of the machine. Jack machine up at designated locations only. Support machine with jack stands.

The rear jacking location is the center of the rear bumper behind the back tire.



Front jacking locations are located on the frame directly in front of the front tire.



STORAGE INFORMATION

The following steps should be taken prior to storing the machine for extended periods.

1. Park the machine in a cool, dry area. Do not expose the machine to rain or snow. Store indoors.
2. Remove the battery, or charge battery every three months.

SPECIFICATIONS

GENERAL MACHINE DIMENSIONS/CAPACITIES

Item	Dimension/capacity
Length	2090 mm (82.3 in)
Length with side brush	2248 mm (88.5 in)
Width	1230 mm (48.5 in)
Width with side brush	1260 mm (49.5 in)
Height without overhead guard	1260 mm (49.5 in)
Height with overhead guard	2085 mm (82.1 in)
Track	1135 mm (44.7 in)
Wheelbase	1135 mm (44.7 in)
Main sweeping brush diameter	355 mm (14 in)
Main sweeping brush length	910 mm (36 in)
Side brush diameter	580 mm (23 in)
Sweeping path width with side brush	1270 mm (50 in)
Sweeping path width with dual side brushes	1575 mm (62 in)
Main sweeping brush pattern width	50 to 75 mm (2 to 3 in)
Hopper weight capacity (polyethylene hopper)	340 kg (750 lb)
Hopper weight capacity (optional steel hopper)	318 kg (700 lb)
Hopper volume capacity (polyethylene hopper)	310 L (11 ft ³)
Hopper volume capacity (optional steel hopper)	319 L (11.25 ft ³)
Dust filter area	7.4 m ² (80 ft ²)
Minimum ceiling dump height	2490 mm (98 in)
Weight - empty	1110 kg (2450 lb)
GVWR (Gross Vehicle Weight Rating)	1674 kg (3690 lb)
Operating sound level at operator ear	80 ±1.5 dBA
Vibration level at steering wheel does not exceed	2.5 m/s ²
Vibration level at operator seat does not exceed	0.5 m/s ²

GENERAL MACHINE PERFORMANCE

Item	Measure
Maximum forward speed	10 km/h (6 mph)
Maximum reverse speed	4.8 km/h (3 mph)
Minimum aisle turn width, left	2415 mm (95 in)
Minimum turning radius, right	2113 mm (83.2 in)
Minimum turning radius, left	1625 mm (64 in)
Maximum rated incline with empty hopper	14° / 25%
Maximum rated incline with full hopper	10° / 17.6%

SPECIFICATIONS

POWER TYPE

Engine	Type	Ignition	Cycle	Aspiration	Cylinders	Bore	Stroke
Kubota D1005	Piston	Diesel	4	Natural	3	76 mm (2.99 in)	73.6 mm (2.90 in)
	Displacement		Net power, governed			Net power, maximum	
	1001 cc (61.08 cu in)		14 kw (18.7 hp) @ 2500 rpm			19.4 kw (26 hp) @ 3600 rpm	
	Fuel		Cooling system			Electrical system	
	Diesel Fuel tank: 27.6 L (7.3 gal)		Water/ethylene glycol antifreeze			12 V nominal	
			Radiator: 4 L (1 gal) Total: 8 L (2 gal)			30 A alternator	
	Idle speed		(Fast) governed speed under load			Engine lubricating oil with filter	
1350 ± 50 rpm		2500 ± 50 rpm			5.1 L (5.4 qt) 10W-30, 10W-40 or 15W-40 Engine oil, API diesel classifica- tion CF or better.		

STEERING

Type	Power source	Emergency steering
Rear wheel, hydraulic cylinder and rotary valve controlled	Hydraulic accessory pump	Manual

HYDRAULIC SYSTEM

System	Capacity	Fluid Type
Hydraulic reservoir	19.3 L (5.1 gal)	ISO Grade 100 - above 7° C (45° F)
Hydraulic total	20.8 L (5.5 gal)	ISO Grade 32 - below 7° C (45° F)

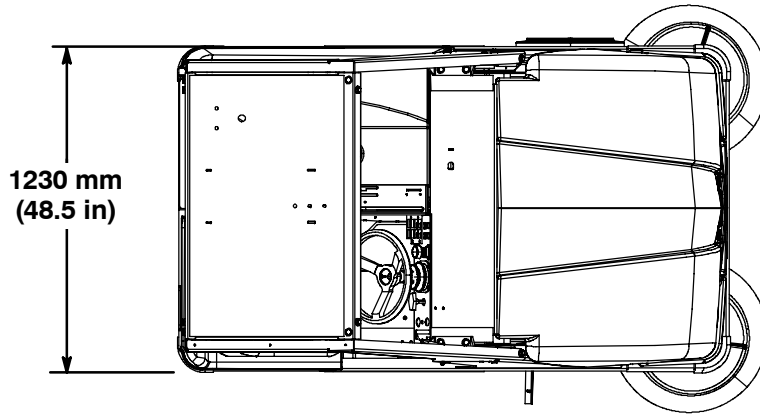
BRAKING SYSTEM

Type	Operation
Service brakes	Mechanical drum brakes (2), one per front wheel, rod actuated
Parking brake	Utilize service brakes, rod actuated

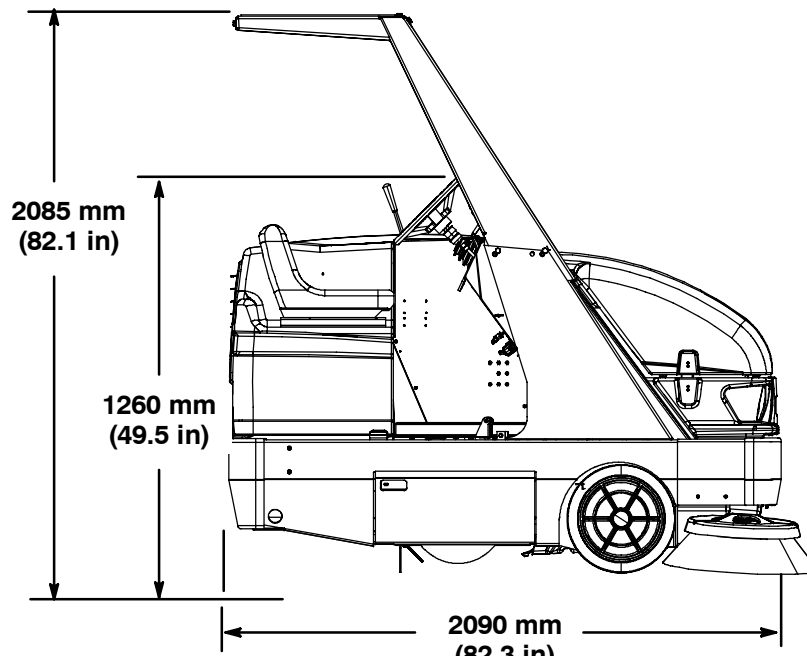
TIRES

Location	Type	Size	Pressure
Front (2)	Solid	89 x 410 mm (3.5 X 16 in)	-
Rear (1)	Pneumatic	150 x 410 mm (6 X 16 in)	795 kPa (115 psi)

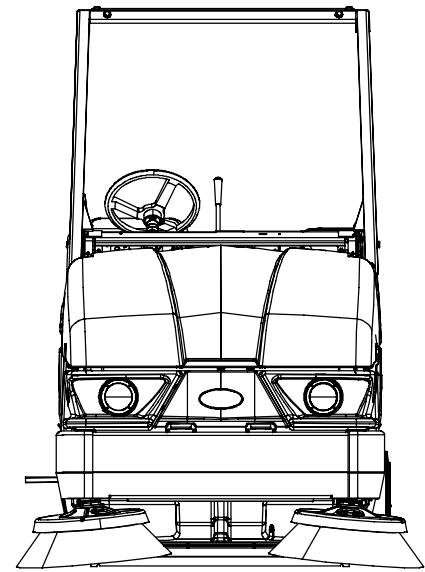
MACHINE DIMENSIONS



TOP VIEW



SIDE VIEW



FRONT VIEW

354901

A

Adjust operator seat, 17
Adjusting the Main Brush Taper, 45
Adjusting the Main Brush Width, 46
Air filter indicator, 37
 Reset, 38
Aisle turn, 55

B

Battery, 39
 Charging system, Light, 14
Belts
 Engine belt, 38
 Vacuum Fan Belt, 39
Brake pedal, 12
Brakes, 51
 System specifications, 56
Brakes and Tires, 51
 Brakes, 51
 Rear Wheel, 51
 Tires, 51
Brush door seals, 49
Brush door skirts, 48
Brush Information, 18
Brushes
 Adjust side brush pattern, 47
 Checking main brush pattern, 45–47
 Checking side brush pattern, 47
 Door seals, 49
 Door skirts, 48
 Main brush adjustment knob, 13
 Rear skirts, 48
 Side brush adjustment knob, 13
 Side brush dust control skirts, 49
 Side brush guard, 47
 Side brush pivot, 47
Bypass valve, 52

C

Capacities, 55
Charging system light, 14
Cleaning the Cyclone Assembly, 42
Cleaning the hopper dust filter, 42
Clogged dust filter light, 14
Clogged hydraulic filter light, 15
Control panel
 Charging Sytem light, 14
 Clogged dust filter light, 14
 Clogged hydraulic filter light, 15
 Engine oil pressure, 15
 Engine water temperature light, 14
 Fuel level gauge, 16
 Glow plug light, 15
 Hopper door closed light, 15
 Hopper temperature light, 14
 Operating/hazard lights switch, 16
 Parking brake light, 12
Controls
 Charging system light, 14
 Clogged dust filter light, 14
 Clogged hydraulic filter light, 15
 Engine oil pressure light, 15
 Engine water temperature light, 14
 Fuel level gauge, 16
 Glow plug light, 15
 Hopper door closed light, 15
 Hopper temperature light, 14
 Main brush adjustment knob, 13
 Main cover lever, 13
 Operating/hazard lights switch, 16
 Parking brake light, 12
 side brush adjustment knob, 13
 Steering wheel tilt handle, 13
Controls and Instruments, 9
Cooling System, 36
 Check the coolant level, 36
 Flush the radiator and the cooling system, 36
Cyclone Assembly, Cleaning, 42
Cyclone cover seals, 43
Cyclone dust tray seals, 42
Cyclone perma–filter, 43

D

Deluxe suspension seat, 17
 Dimensions, 55
 Directional pedal, 12
 Disengaging hopper support bar, 27–29
 Doors
 Brush
 Seals, 49
 Skirts, 48
 Hopper, Seals, 50
 Hopper access, Seal, 49
 Inner hopper access, Seal, 50
 Dust filter, Hopper, 41–43

E

Emptying the hopper, 24–26
 Engaging hopper support bar, 26–28
 Engine, 36
 Air filter, 37
 Air filter indicator, 37
 Belt, 38
 Coolant temperature, Light, 14
 Cooling System, 36
 Fuel filter, 38
 Fuel Lines, 39
 Oil pressure, Light, 15
 Priming the fuel system, 39
 Specifications, 56
 Valve clearance, 38
 Engine air filter, 37
 Cleaning, 37–39
 Engine belt, 38
 Engine Oil, 34
 Engine oil pressure light, 15
 Engine water temperature light, 14

F

Filter Chamber Inlet Seal, 50
 Filters
 Cleaning the hopper dust filter, 42
 Cyclone perma-filter, 43
 Replacing the hopper dust filter, 41–43
 Front tie down location, 53
 Front Wheel Bearings, 34
 Fuel filter, 38
 Fuel level gauge, 16
 Fuel Lines, 39
 Fuses and Relays, 40
 Relay Panel Fuses and Relays, 40

G

Gauges, Fuel level, 16
 General Machine Dimensions / Capacities, 55
 Glow plug light, 15
 Grease fittings
 Hopper lift arm pivots, 34
 Rear Wheel Support Bearing, 34

H

Hopper
 Access door seal, 49
 Clogged dust filter, Light, 14
 Disengaging hopper support bar, 27–29
 Door closed, Light, 15
 Door seals, 50
 Emptying the hopper, 24–26
 Engaging hopper support bar, 26–28
 Inner access door seal, 50
 Lift arm pivots, 34
 Lip skirt, 48
 Seals, 49
 Side skirt, 48
 Temperature, Light, 14
 Thermo Sentry, 14
 Hopper access door seal, 49
 Hopper door closed light, 15
 Hopper door seals, 50
 Hopper dust filter, 41–43
 Hopper dust filter cover seal, 43
 Hopper lift arm pivots, 34
 Hopper lip skirt, 48
 Hopper seals, 49
 Hopper side skirt, 48

Hopper temperature light, 14

Hour Meter, 16

How the Machine Works, 18

Hydraulic Cooler, 36

 Clean the fins, 36

Hydraulic fluid, 35

Hydraulic fluid reservoir, 35

Hydraulic Hoses, 36

Hydraulics, 35

 Check the hydraulic hoses, 36

 Clogged hydraulic filter light, 15

 Drain and refill hydraulic fluid reservoir, 35

 Fluid, 35–37

 Hydraulic Hoses, 36

 Replace the filler cap, 35

 Replace the hydraulic strainer, 35

 Reservoir, 35

 System specifications, 56

I

Ignition, Glow plug, Light, 15

Incline, Rated, 21

Indicators, Hour Meter, 16

Inner hopper access door seal, 50

J

Jack points, 54

Jacking up the machine, 54

K

Knobs

 Main brush adjustment, 13

 Right side brush adjustment, 13

L

Levers

 Main cover, 13

 Steering wheel tilt handle, 13

Lights

 Charging system, 14

 Clogged Dust filter, 14

 Clogged hydraulic filter light, 15

 Engine oil pressure, 15

 Engine water temperature, 14

 Glow plug, 15

 Hopper door closed, 15

 Hopper temperature, 14

 Operating/hazard lights switch, 16

 Parking brake, 12

Lubrication, 34

 Engine Oil, 34

 Front Wheel Bearings, 34

 Rear Wheel Support Bearing, 34

M

Machine components, 8

Machine Dimensions, 57

Machine jacking, 54

Machine Operation, Pre–Operation Checklist, 18

Machine Specifications, 55–58

Machine Troubleshooting, 31

Main brush

 adjustment, 13

 Checking brush pattern, 45–47

 Door seals, 49

 Door skirts, 48

 Rear skirts, 48

Main brush adjustment knob, 13

Main Brushes, 44

 Adjusting the Taper, 45

 Adjusting the Width, 46

 Replacing or Rotating the Main Brushes, 44

Main Brushes, Adjusting the Taper, 45

Main Brushes, Adjusting the Width, 46

Main Brushes, Replacing or Rotating, 44

Main cover, Lever, 13

Main cover lever, 13

Maintenance, 32–56

Maintenance Chart, 32

O

Oil, Hydraulic, 35–37
 Operating/hazard lights switch, 16
 Operation, 8–32
 Operation of controls, 12
 Operator seat, 17
 Options, 29–31
 Clogged dust filter light, 14
 Operating/hazard lights switch, 16
 Side brush dust control skirts, 49
 Tower bumpers, 30
 Vacuum Wand, 29

P

Parking brake light, 12
 Parking brake pedal, 12
 Pedals
 Brake pedal, 12
 Directional pedal, 12
 Parking brake pedal, 12
 Pivots
 Hopper lift arm, 34
 Side brush, 47
 Pre–Operation Checklist, 18
 Priming the fuel system, 39
 Propelling Motor, 51
 Torque shaft nut, 51
 Pushing or Towing the Machine, 52
 Bypass valve, 52
 Pushing the Machine, 52
 Pushing, Towing, and Transporting the Machine,
 52
 Pushing or Towing the Machine, 52
 Transporting the Machine, 52

R

Radiator, 36
 Check hoses and clamps, 36
 Clean core exterior, 36
 Rated incline, 21
 Rear skirts, 48
 Rear tie down location, 53
 Rear Wheel Support Bearing, 34
 Rear Wheel, Torque, 51
 Relay Panel Fuses and Relays, 40
 Replacing or Rotating the Main Brushes, 44
 Replacing the hopper dust filter, 41–43
 Replacing the Side Brush, 46
 Reset air filter indicator, 38
 Rotate the side brush guard, 47

S

Safety
 Disengaging hopper support bar, 27–29
 Engaging hopper support bar, 26–28
 Labels, 6–8
 Precautions, 4–6
 Seals, 48–51
 Brush doors, 49
 Cyclone cover seals, 43
 Cyclone dust tray seals, 42
 Filter Chamber Inlet Seal, 50
 Hopper, 49
 Hopper access door, 49
 Hopper door, 50
 Hopper dust filter cover seal, 43
 Inner hopper access door, 50
 Seat
 Adjustment, 17
 Deluxe suspension, 17
 Seat belts, 17
 Seat, Operator, 17

Side Brush, 46
 Replacing the Side Brush, 46

Side brush
 Adjust the pattern, 47
 adjustment, 13
 Dust control skirts, 49
 Guard, 47
 Pivot, 47

Side brush down pressure knob, 13

Side brush dust control skirts, 49

Side brush guard, 47

Side brush pivot, 47

Side Brush, Adjusting, 47

Side Brush, Replacing, 46

Side brush(es), Checking brush pattern, 47

Skirts, 48–51
 Brush doors, 48
 Hopper Lip, 48
 Hopper side, 48
 Rear, 48
 Side brush dust control, 49

Specifications, 55–58
 Braking system, 56
 General Machine Dimensions / Capacities,
 55–58
 Hydraulic system, 56
 Machine Capacities, 55
 Machine Dimensions, 55
 Machine performance, 55
 Power type, 56
 Steering, 56
 Tires, 56

Starting the machine, 19

Steering, Specifications, 56

Steering wheel tilt handle, 13

Stop sweeping, 23

Stop the machine, 20–22

Storage Information, 54
 Storing the Machine, 54

Sweeping, 22–24

Switches, Operating/hazard lights, 16

Symbol definitions, 10–12

T

Thermo Sentry, 14

Tie down location
 Front, 53
 Rear, 53

Tires, 51
 Specifications, 56

Tower bumpers (Option), 30

Towing the Machine, 52

Transporting the Machine, 52

Travel speed, 55

V

Vacuum fan, Belt, 39

Vacuum fan belt, 39

Vacuum Wand, 29

Valve clearance, 38

Valves, 38
 Intake and exhaust, 38

W

Wheels, 51

While operating the machine, 21