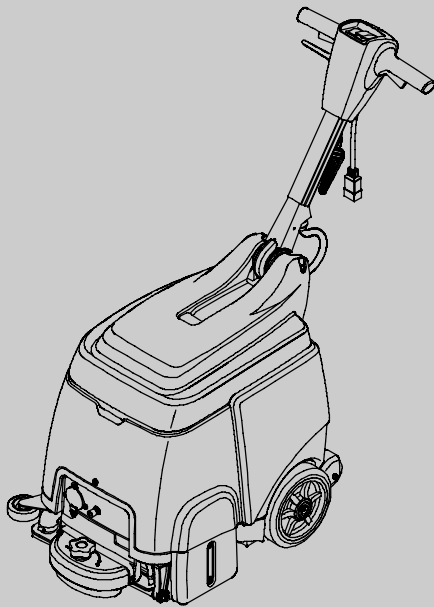
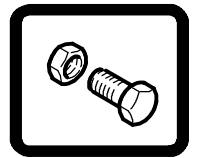




R3

Carpet Cleaner
(S/N 10000000-20000000)

Parts Manual



Models
9004192-120V



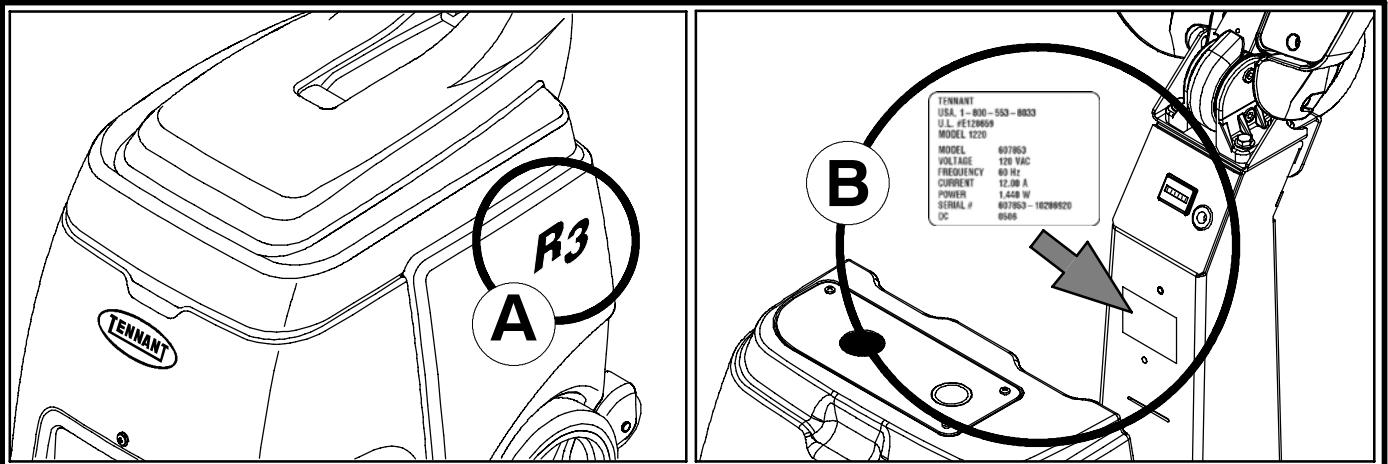
More than clean, it's ReadySpace.™

North America / Japan

www.tennantco.com

9006287
Rev. 00 (03-2009)





Ref	Part No.	Serial Number	Description	Qty.
1	82681	(000000-)	Bracket W/dt, Lpg Mount	1
2	63810	(000000-)	Ch Assy, Lpg Tank Mtg, W/Nut	4
3	51839	(000000-)	at Adjustable, Lpg Tank Mtg	2
4	49263	(000000-)	Tie, Cable	3
	82556	(000000-001039)	Bracket, Vaporizer	1
	54930	(000000-)	Vaporizer, LPG	1

HOW TO ORDER PARTS - See diagram above

Only use TENNANT Company supplied or equivalent parts. Parts and supplies may be ordered online, by phone, by fax or by mail.

Follow the steps below to ensure prompt delivery.

1. (A) Identify the machine model.
2. (B) Identify the machine serial number from the data label.
3. (C) Ensure the proper serial number is used from the parts list.
4. Identify the part number and quantity.
Do not order by page or reference numbers.
5. Provide your name, company name, customer ID number, billing and shipping address, phone number and purchase order number.
6. Provide detail shipping instructions.

- (D) ▽ - identifies an assembly
 ▲ - identifies parts included in assembly
 (E) ● - identifies a recommended stock item

Please fill out at time of installation for future reference.

Model No. - _____
 Serial No. - _____
 Machine Options - _____
 Sales Rep. - _____
 Sales Rep. phone no. - _____
 Customer ID Number - _____
 Installation Date - _____

Tennant Company

PO Box 1452
 Minneapolis, MN 55440
 Phone: (800) 553-8033 or (763) 513-2850

www.tennantco.com

Specifications and parts are subject to change without notice.

Copyright © 2009 TENNANT Company, Printed in U.S.A.

TABLE OF CONTENTS

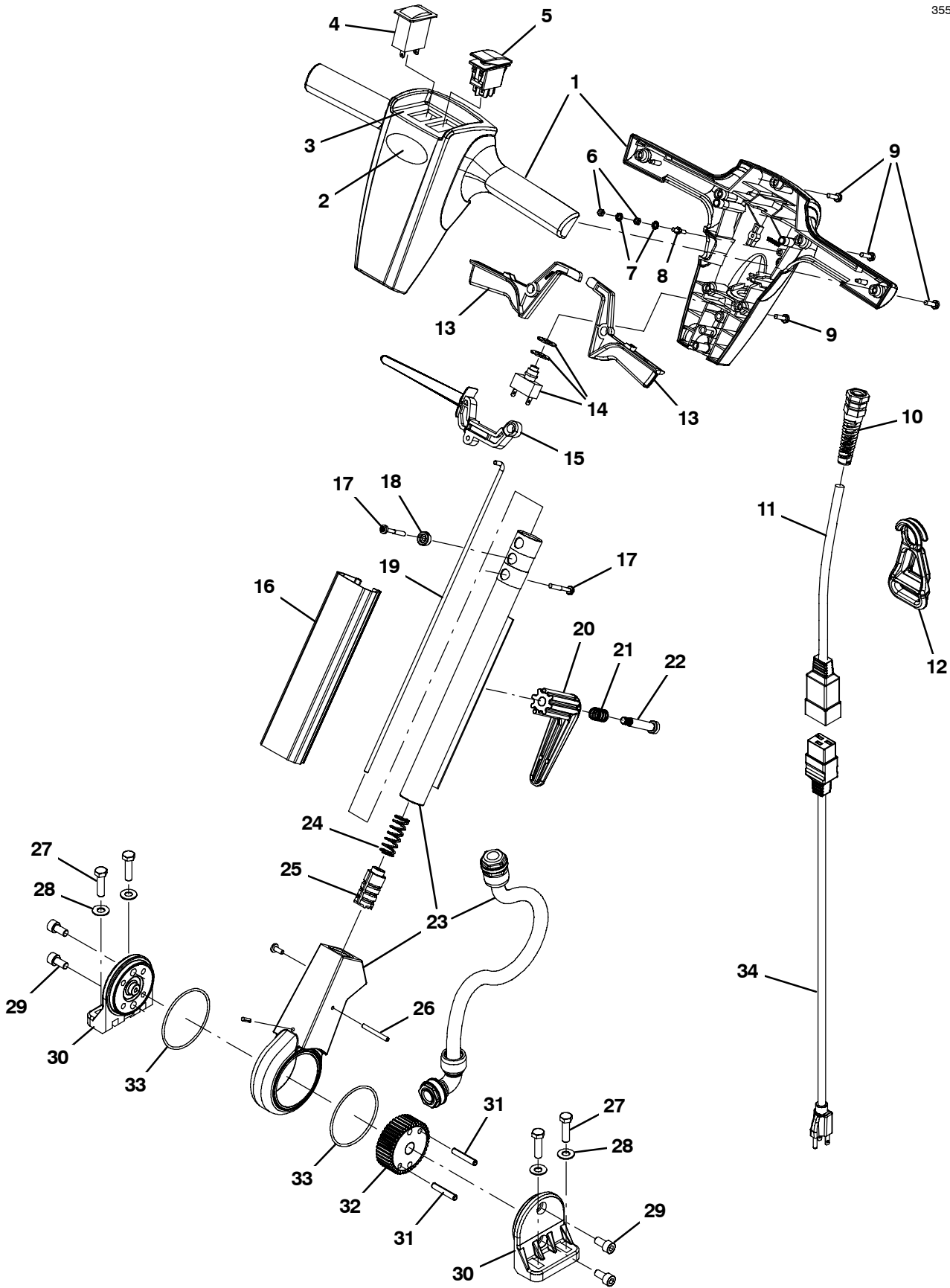
HANDLE GROUP, 120V 4
HANDLE GROUP, 230V 6
FRAME GROUP, 120V 8
FRAME GROUP, 230V 10
TANKS AND SHROUD GROUP 12
TANK COVER GROUP 14
VACUUM FAN GROUP 16
SOLUTION GROUP 18
SCRUB HEAD GROUP, 120V 20
SCRUB HEAD GROUP, 230V 22
ROLLER TOOL GROUP 24
ELECTRICAL DIAGRAM, 120V 26
ELECTRICAL DIAGRAM, 230V 27

OPTIONS

WAND GROUP, 8 in / 203 mm 28
HAND TOOL GROUP, 4 in / 101 mm 30
PUMP-UP CARPET SPRAYER 32

HANDLE GROUP, 120V

355070



HANDLE GROUP, 120V

Ref.	Part No.	Serial Number	Description	Qty.
▽	9005507	(10000000-20000000)	● Handle, Tennant R3 [120 Volt]	1
▲▽	1 9004318	(10000000-20000000)	● Cover, Handle Front/Rear Tennant R3 Kit	1
▲▲	2 1042589	(10000000-20000000)) Label, Logo, 02.50l, White [Tennant]	1
▲▲	3 1034592	(10000000-20000000)) Label, Opertnl, Instrmt Panl, Readyspace	1
▲	4 1038375	(10000000-20000000)	● Gauge, Ammeter, 120vac, 5.0a [Rlr Press]	1
▲	5 602919	(10000000-20000000)	● Switch, Rocker, Dpdt, On / On	1
▲	6 42368	(10000000-20000000)) Nut, Hex, Std, M4 X 0.70, 8	2
▲	7 140061	(10000000-20000000)) Washer, Lock, Ext, 08, Pl	2
▲	8 1034952	(10000000-20000000)) Screw, Hex, M4 X 0.7 X 12, Dbl Thrd	1
▲	9 1043573	(10000000-20000000)) Screw, #10-14 X 0.675, Spl[Shcs,Selftap]	7
▲	10 130166	(10000000-20000000)	● Grip, Cord, Strainrelief Pg-11 W/Nut Bk	1
▲	11 1042410	(10000000-20000000)	● Cord, 14ga /3, 16.0l, W/ Receptacle, Yel	1
▲	12 1037147	(10000000-20000000)	● Clip, Cord, Strainrelief, Black	1
▲	13 1033893	(10000000-20000000)	● Lever, Cntrl, Switch [Trex]	2
▲	14 130712	(10000000-20000000)	● Switch, Push, Spst, No	1
▲	15 1034945	(10000000-20000000)) Lever, Adjmt, Handle	1
▲	16 1034181	(10000000-20000000)) Cover, Handle, Tennant [Trex]	1
▲	17 1043572	(10000000-20000000)) Screw, #10-14 X 01.5, Spl[Shcs Selftap]	2
▲	18 1034176	(10000000-20000000)) Bushing, Flng, 5mmb 12mmd 8mml, Pa6	1
▲	19 1034180	(10000000-20000000)) Rod, Release [Trex]	1
▲	20 603104	(10000000-20000000)	● Hook, Cord, Blk [Quick-Release]	1
▲	21 603108	(10000000-20000000)) Spring, Cmpr, Switch	1
▲	22 140239	(10000000-20000000)) Bolt, Shld, .38d X 1.75, .31-18	1
▲	23 1045239	(10000000-20000000)) Tube, Assy, Handle	1
▲	24 1013295	(10000000-20000000)) Spring, Cmpr [2100 Series]	1
▲	25 9006059	(10000000-20000000)) Plunger Kit, Handle	1
▲	26 1034924	(10000000-20000000)) Pin, Roll, 04mmd X 40mml	1
▲	27 1016399	(10000000-20000000)) Screw, Hex, M8 X 1.25 X 30, NI, Ss	4
▲	28 140027	(10000000-20000000)) Washer, Flat, 0.35b 0.75d .04, Ss	4
▲	29 49609	(10000000-20000000)) Screw, Soc, M8 X 1.25 X 16, 12.9	4
▲	30 1000307	(10000000-20000000)) Handle, Pivot, Half	2
▲	31 1034155	(10000000-20000000)) Pin, Roll, 06mmd X 36mml	2
▲	32 1034872	(10000000-20000000)	● Gear, Lock, Handle	1
▲	33 612422	(10000000-20000000)	● Seal, Org, Gear Seat	2
▲	34 1042403	(10000000-20000000)	● Cord, Power, 1.5mm /3 Yel[2x15m 50ft Us]	1

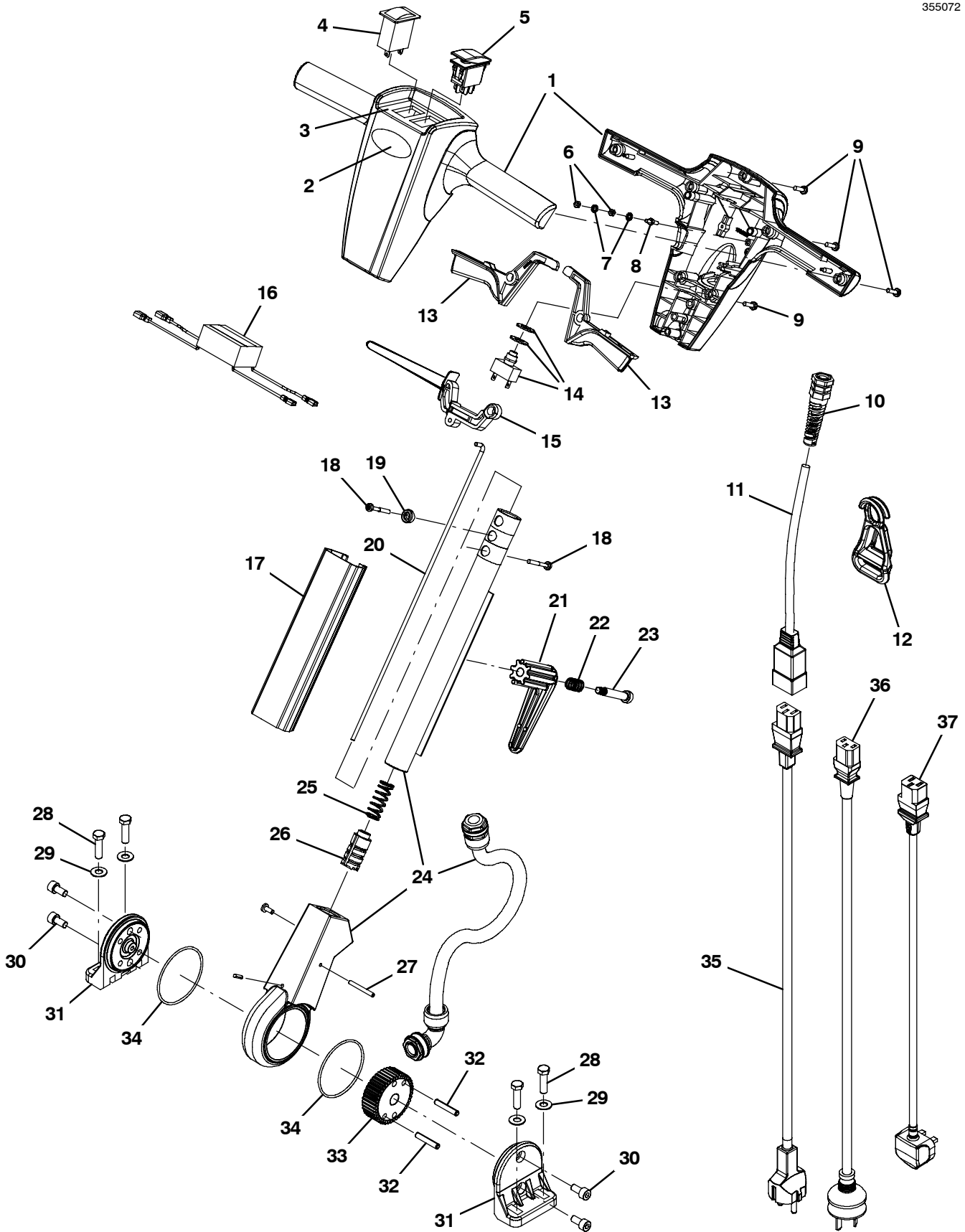
▽ ASSEMBLY

▲ INCLUDED IN ASSEMBLY

● RECOMMENDED STOCK ITEMS

HANDLE GROUP, 230V

355072



HANDLE GROUP, 230V

Ref.	Part No.	Serial Number	Description	Qty.
▽	9005510	(10000000-20000000)	● Handle, Tennant R3 [230 Volt]	1
▲▽	1 9004318	(10000000-20000000)	● Cover, Handle Front/Rear Tennant R3 Kit	1
▲▲	2 1042589	(10000000-20000000)) Label, Logo, 02.50l, White [Tennant]	1
▲▲	3 1034592	(10000000-20000000)) Label, Opertnl, Instrmt Panl, Readyspace	1
▲	4 1035742	(10000000-20000000)	● Gauge, Ammeter, 230vac, 2.25a [Rlr Prs]	1
▲	5 602919	(10000000-20000000)	● Switch, Rocker, Dpdt, On / On	1
▲	6 42368	(10000000-20000000)) Nut, Hex, Std, M4 X 0.70, 8	2
▲	7 140061	(10000000-20000000)) Washer, Lock, Ext, 08, Pl	2
▲	8 1034952	(10000000-20000000)) Screw, Hex, M4 X 0.7 X 12, Dbl Thrd	1
▲	9 1043573	(10000000-20000000)) Screw, #10-14 X 0.675, Spl[Shcs,Selftap]	7
▲	10 130166	(10000000-20000000)	● Grip, Cord, Strainrelief Pg-11 W/Nut Bk	1
▲	11 1042410	(10000000-20000000)	● Cord, 14ga /3, 16.0l, W/ Receptacle, Yel	1
▲	12 1037147	(10000000-20000000)	● Clip, Cord, Strainrelief, Black	1
▲	13 1033893	(10000000-20000000)) Lever, Cntrl, Switch [Trex]	2
▲	14 130712	(10000000-20000000)	● Switch, Push, Spst, No	1
▲	15 1034945	(10000000-20000000)) Lever, Adjmt, Handle	1
▲	16 1039701	(10000000-20000000)	● Filter, Handle, 250 Vac, 50/60hz, 8amps	1
▲	17 1034181	(10000000-20000000)) Cover, Handle, Tennant [Trex]	1
▲	18 1043572	(10000000-20000000)) Screw, #10-14 X 01.5, Spl[Shcs Selftap]	2
▲	19 1034176	(10000000-20000000)) Bushing, Flng, 5mmb 12mmd 8mml, Pa6	1
▲	20 1034180	(10000000-20000000)) Rod, Release [Trex]	1
▲	21 603104	(10000000-20000000)	● Hook, Cord, Blk [Quick-Release]	1
▲	22 603108	(10000000-20000000)) Spring, Cmpr, Switch	1
▲	23 140239	(10000000-20000000)) Bolt, Shld, .38d X 1.75, .31-18	1
▲	24 1045239	(10000000-20000000)	● Tube, Assy, Handle	1
▲	25 1013295	(10000000-20000000)) Spring, Cmpr [2100 Series]	1
▲	26 9006059	(10000000-20000000)) Plunger Kit, Handle	1
▲	27 1034924	(10000000-20000000)) Pin, Roll, 04mmd X 40mml	1
▲	28 1016399	(10000000-20000000)) Screw, Hex, M8 X 1.25 X 30, NI, Ss	4
▲	29 140027	(10000000-20000000)) Washer, Flat, 0.35b 0.75d .04, Ss	4
▲	30 49609	(10000000-20000000)) Screw, Soc, M8 X 1.25 X 16, 12.9	4
▲	31 1000307	(10000000-20000000)) Handle, Pivot, Half	2
▲	32 1034155	(10000000-20000000)) Pin, Roll, 06mmd X 36mml	2
▲	33 1034872	(10000000-20000000)	● Gear, Lock, Handle	1
▲	34 612422	(10000000-20000000)	● Seal, Org, Gear Seat	2
	35 1035571	(10000000-20000000)	● Cord, Extn, 1.5mm /3 [2x20m, Ce]	1
	36 1036912	(10000000-20000000)	● Cord, Power, 1.5mm /3 Blk [2x15m, Aus]	1
	37 1036891	(10000000-20000000)	● Cord, Power, 1.5mm /3 Blk [2x20m,Uk]	1

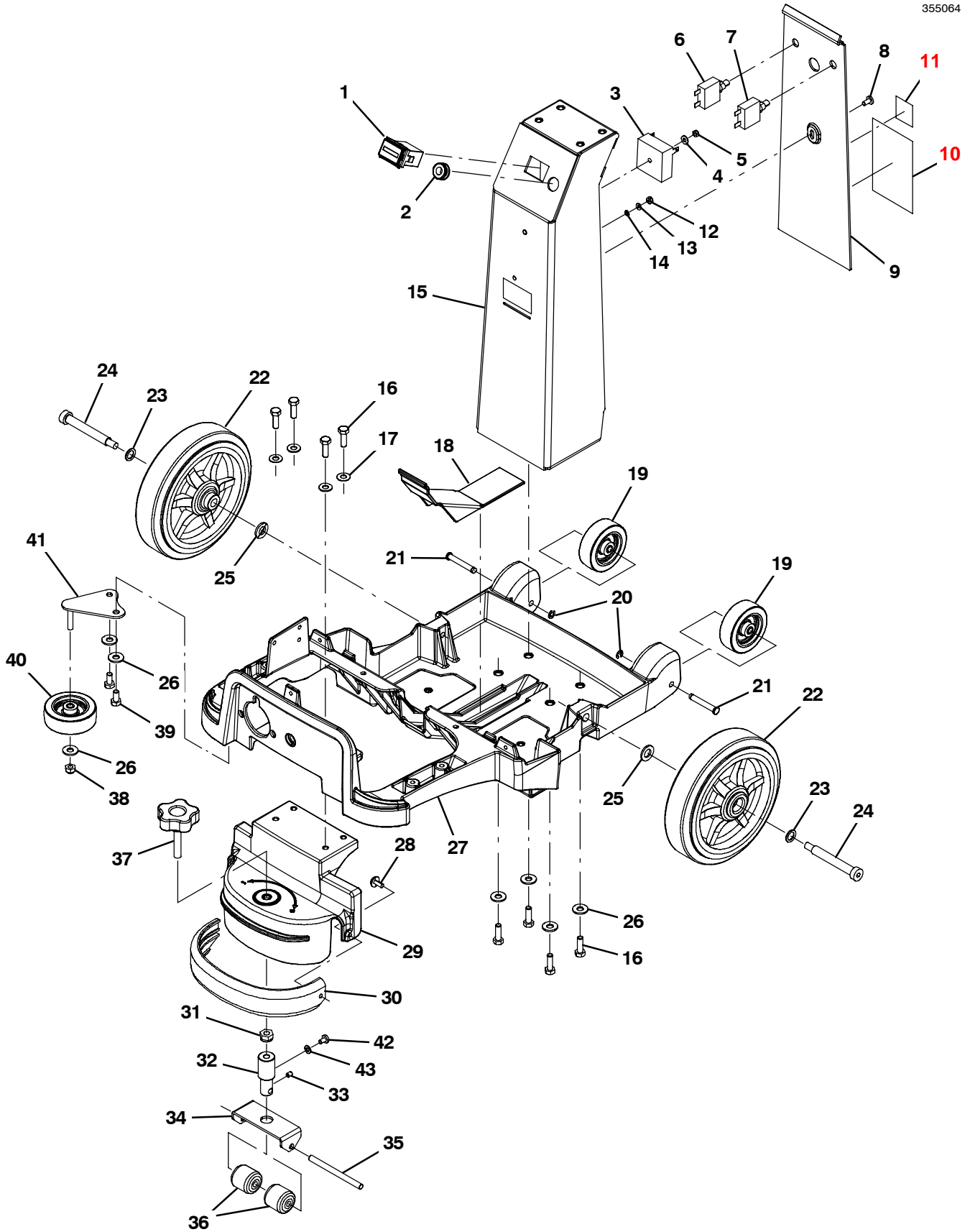
▽ ASSEMBLY

▲ INCLUDED IN ASSEMBLY

● RECOMMENDED STOCK ITEMS

FRAME GROUP, 120V

355064



FRAME GROUP, 120V

Ref.	Part No.	Serial Number	Description	Qty.
1	1033904	(10000000-20000000)	● Meter, Hour, 120 Volt [T-Rex]	1
2	86726	(10000000-20000000)) Grommet, Rbr, 0.44id, F/0.5h, .19 Matl	1
3	1032018	(10000000-20000000)	● Module, Timer, 120vac [Trex Readyspace]	1
4	01683	(10000000-20000000)) Washer, Flat, 10, Ss	1
5	09739	(10000000-20000000)) Nut, Hex, Lock, M5 X 0.80, NI, Ss	1
6	383720	(10000000-20000000)	● Circuitbreaker, 05.0a, Resetable	1
7	383722	(10000000-20000000)	● Circuitbreaker, 15.0a, Resetable	1
8	74027	(10000000-20000000)) Screw, Pan, Phl, M6 X 1.00 X 12, NI, PI	1
▽	9	9004275) Cover Kit, Column , W/ Label [5gal 120v]	1
▲	10	1039105) Label,Warning,Ac Scrbr/Extr [En/Fr/Es/Jp]	1
▲	11	NA) Label, Safety, 120vac [Etl]	1
	12	1044427) Nut, Hex, Lock, #8-32, NI, Ss	1
	13	41578) Washer, Flat, 06, Ss	1
	14	02938) Washer, Lock, Int, 08, Ss	1
	15	9004274) Column Kit, Sppt, W/ Label [5 Gal]	1
	16	1015852) Screw, Hex, M8 X 1.25 X 25, NI, FI, Ss	8
	17	140027) Washer, Flat, 0.35b 0.75d .04, Ss	4
	18	1031418) Cover, Frame, Rear [Trex]	1
	19	1014918	● Wheel, 03.0d 0.88w 0.31b, W/ Bshg, Rbr	2
	20	1035139) Ring, Retaining, Ext, 0.31d, E-Type	2
	21	1035137) Pin, Clevis, Grvd 0.31d X 2.00l, Ss	2
	22	1039073	● Wheel Assy, 8.0d 2.0w 0.5b W/Brg	2
	23	1038770) Washer, Flat, 0.50b 0.75d 0.06, Ss	2
	24	1033757) Bolt, Shld, .50 X 3.25, .38-16, Ss	2
	25	33925) Washer, Flat, M12, Ss	2
	26	01685) Washer, Flat, 0.38b 0.88d .08, Ss	6
	27	1031527) Frame (Machined)	1
	28	1019349) Screw, Trs, M6 X 1.00 X 16, Ss, Sems	2
	29	1051665) Bracket, Adjustment, Head	1
	30	1036668) Bumper, Front	1
	31	08714) Nut, Hex, Lock, M10 X 1.5, NI, Ss	1
	32	1051666) Adjuster, Roller	1
	33	09162) Screw, Set, Soc, M6 X 1.00 X 8, NI	1
	34	1035496) Bracket, Roller	1
	35	1035519) Bar, Rnd, Stl, 0.31d X 4.09l, 2cham	1
	36	605317	● Roller, Sqge, 1.35od X 1.48l [Delrin]	2
	37	1036002	● Knob, Adj, M10 X50 Stud, Blk	1
	38	08713) Nut, Hex, Lock, M8 X 1.25, NI, Ss	1
	39	49826) Screw, Hex, M8 X 1.25 X 16, NI, Ss	2
	40	1014918	● Wheel, 03.0d 0.88w 0.31b, W/ Bshg, Rbr	1
	41	1034805) Bracket, Bumper Wheel	1
	42	48732) Screw, Pan, Phl, M6 X 1.00 X 10, Ss	1
	43	140016) Washer, Lock, Split, 0.25, Ss	1
	N/S	1033926) Harness, Chassis, Ele [T-Rex Readyspace]	1

▽ ASSEMBLY

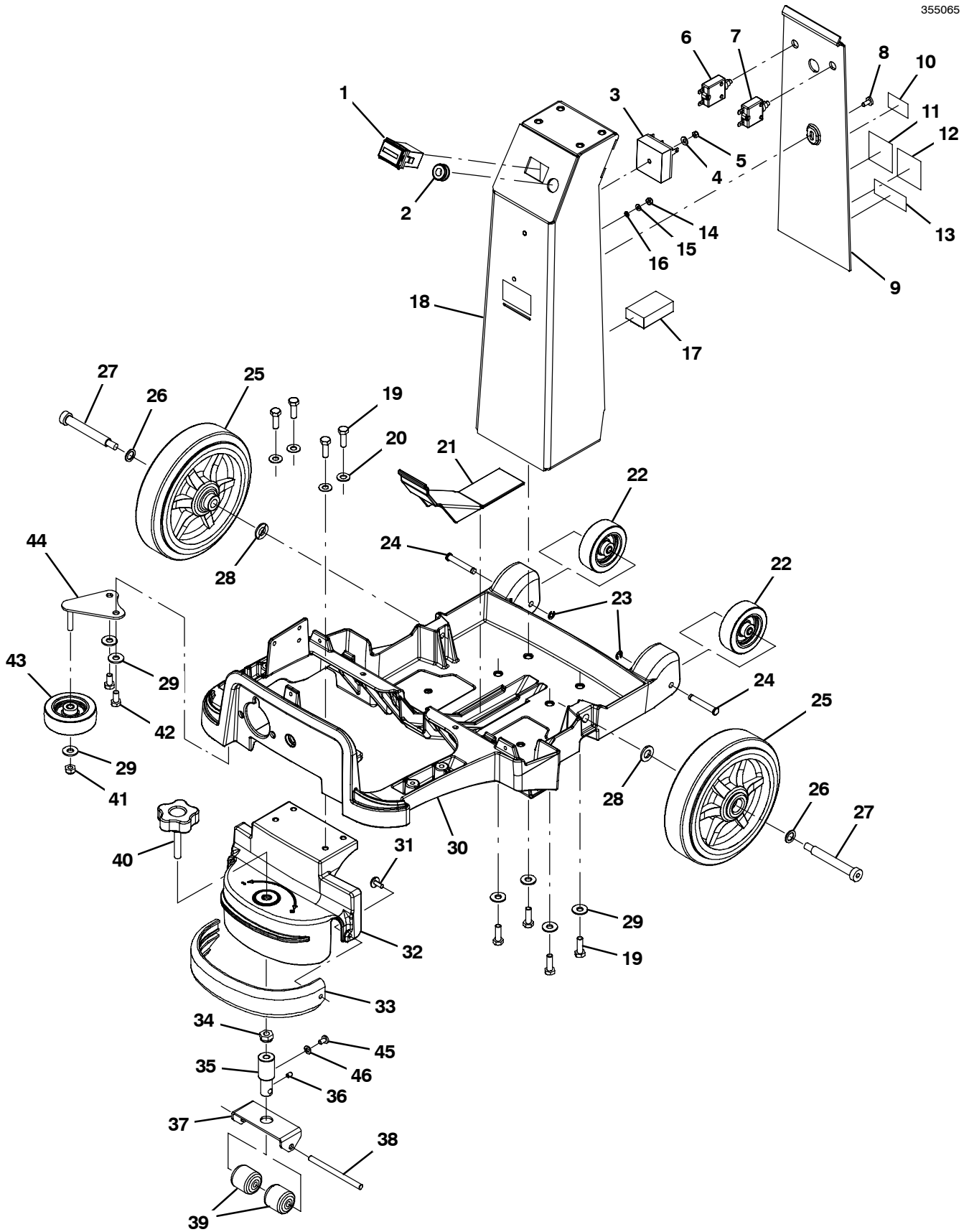
▲ INCLUDED IN ASSEMBLY

● RECOMMENDED STOCK ITEMS

N/S = NOT SHOWN

FRAME GROUP, 230V

355065



FRAME GROUP, 230V

Ref.	Part No.	Serial Number	Description	Qty.
1	1034138	(10000000-20000000)	● Meter, Hour, 120 Volt [T-Rex]	1
2	86726	(10000000-20000000)) Grommet, Rbr, 0.44id, F/0.5h, .19 Matl	1
3	1032245	(10000000-20000000)	● Module, Timer, 240vac[T-Rex Readyspace]	1
4	01683	(10000000-20000000)) Washer, Flat, 10, Ss	1
5	09739	(10000000-20000000)) Nut, Hex, Lock, M5 X 0.80, NI, Ss	1
6	1037100	(10000000-20000000)	● Circuitbreaker, 2.5 Amp, 230 Volt	1
7	1037086	(10000000-20000000)	● Circuitbreaker, 7.5 Amp, 230 Volt	1
8	74027	(10000000-20000000)) Screw, Pan, Phl, M6 X 1.00 X 12, NI, PI	1
▽	9	9004294) Column, Cover W/ Labels 5 Gal 230v Kit	1
▲	10	NA) Label, Safety, 230Vac [Ce, C-Tic]	1
▲	11	1030494) Label, Hzrd, Flammable Matl, Ce	1
▲	12	1028077) Label [Read Manual, Iso]	1
▲	13	993852) Label, Warning [Electrical Hazard]	1
14	1044427	(10000000-20000000)) Nut, Hex, Lock, #8-32, NI, Ss	1
15	41578	(10000000-20000000)) Washer, Flat, 06, Ss	1
16	02938	(10000000-20000000)) Washer, Lock, Int, 08, Ss	1
17	1043600	(10000000-20000000)	● Filter, Pump, 250 Vac, 3a, 50/60hz	1
18	9004274	(10000000-20000000)) Column Kit, Sppt, W/ Label [5 Gal]	1
19	1015852	(10000000-20000000)) Screw, Hex, M8 X 1.25 X 25, NI, FI, Ss	8
20	140027	(10000000-20000000)) Washer, Flat, 0.35b 0.75d .04, Ss	4
21	1031418	(10000000-20000000)) Cover, Frame, Rear [Trex]	1
22	1014918	(10000000-20000000)	● Wheel, 03.0d 0.88w 0.31b, W/ Bshg, Rbr	2
23	1035139	(10000000-20000000)) Ring, Retaining, Ext, 0.31d, E-Type	2
24	1035137	(10000000-20000000)) Pin, Clevis, Grvd 0.31d X 2.00l, Ss	2
25	1039073	(10000000-20000000)	● Wheel Assy, 8.0d 2.0w 0.5b W/Brg	2
26	1038770	(10000000-20000000)) Washer, Flat, 0.50b 0.75d 0.06, Ss	2
27	1033757	(10000000-20000000)) Bolt, Shld, .50 X 3.25, .38-16, Ss	2
28	33925	(10000000-20000000)) Washer, Flat, M12, Ss	2
29	01685	(10000000-20000000)) Washer, Flat, 0.38b 0.88d .08, Ss	6
30	1031527	(10000000-20000000)) Frame (Machined)	1
31	1019349	(10000000-20000000)) Screw, Trs, M6 X 1.00 X 16, Ss, Sems	2
32	1051665	(10000000-20000000)) Bracket, Adjustment, Head	1
33	1036668	(10000000-20000000)) Bumper, Front	1
34	08714	(10000000-20000000)) Nut, Hex, Lock, M10 X 1.5, NI, Ss	1
35	1051666	(10000000-20000000)) Adjuster, Roller	1
36	09162	(10000000-20000000)) Screw, Set, Soc, M6 X 1.00 X 8, NI	1
37	1035496	(10000000-20000000)) Bracket, Roller	1
38	1035519	(10000000-20000000)) Bar, Rnd, Stl, 0.31d X 4.09l, 2cham	1
39	605317	(10000000-20000000)	● Roller, Sqge, 1.35od X 1.48l [Delrin]	2
40	1036002	(10000000-20000000)	● Knob, Adj, M10 X50 Stud, Blk	1
41	08713	(10000000-20000000)) Nut, Hex, Lock, M8 X 1.25, NI, Ss	1
42	49826	(10000000-20000000)) Screw, Hex, M8 X 1.25 X 16, NI, Ss	2
43	1014918	(10000000-20000000)	● Wheel, 03.0d 0.88w 0.31b, W/ Bshg, Rbr	1
44	1034805	(10000000-20000000)) Bracket, Bumper Wheel	1
45	48732	(10000000-20000000)) Screw, Pan, Phl, M6 X 1.00 X 10, Ss	1
46	140016	(10000000-20000000)) Washer, Lock, Split, 0.25, Ss	1
N/S	1033926	(10000000-20000000)) Harness, Chassis, Ele [T-Rex Readyspace]	1

▽ ASSEMBLY

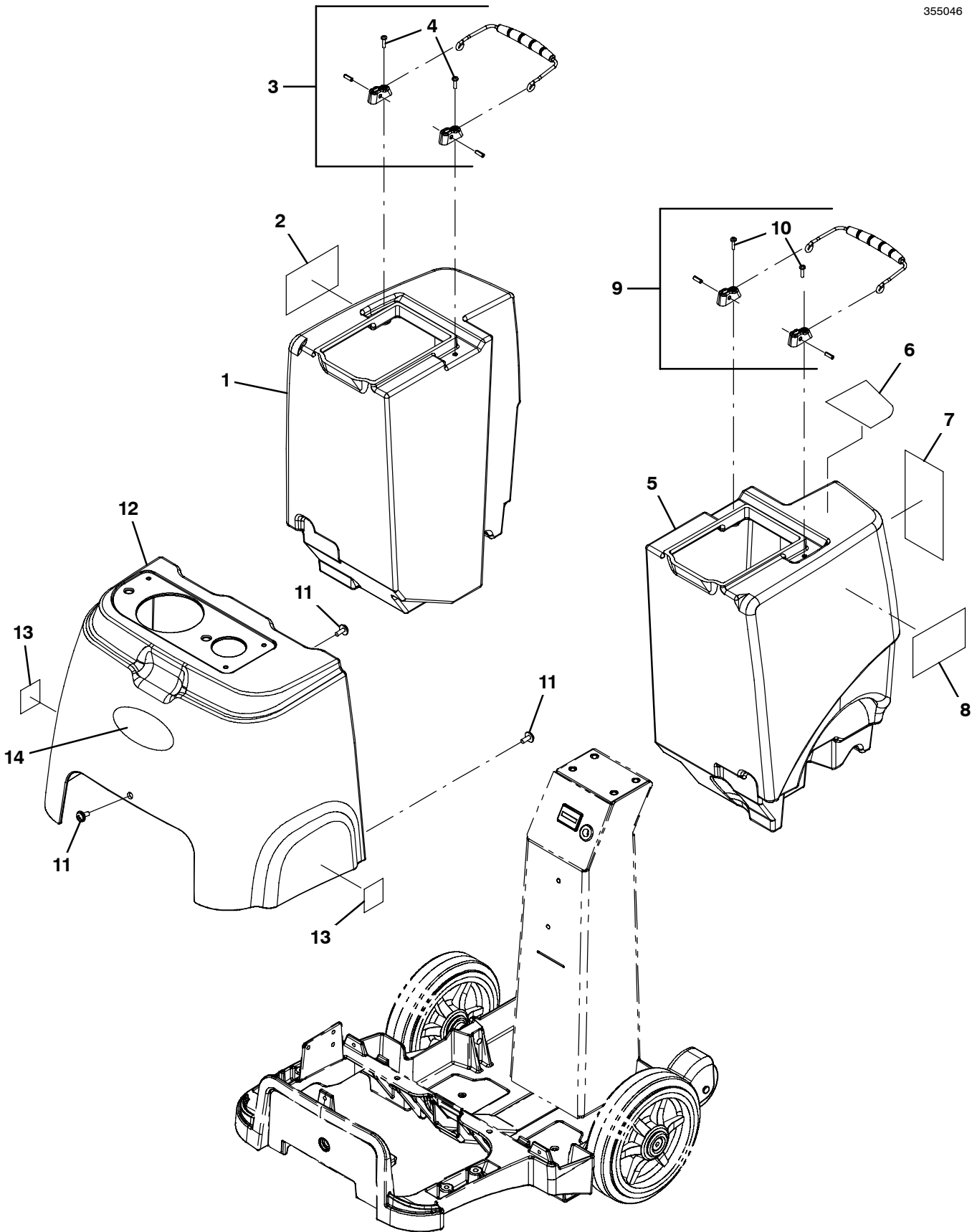
▲ INCLUDED IN ASSEMBLY

● RECOMMENDED STOCK ITEMS

N/S = NOT SHOWN

TANKS AND SHROUD GROUP

355046



TANKS AND SHROUD GROUP

Ref.	Part No.	Serial Number	Description	Qty.
▽	1	9004303	(10000000-20000000) Tank, Rec W/ Labels Tennant 5 Gal Kit	1
▲	2	1039086	(10000000-20000000) Label, Side [R3 Readyspace]	1
▲▽	3	9004285	(10000000-20000000)● Handle, Tank Kit	1
▲▲	4	24265	(10000000-20000000) Screw, Pan, Phl, M4 X 0.70 X 16, Ss	2
▽	5	9004305	(10000000-20000000) Tank, Sol W/ Labels Tennant 5 Gal Kit	1
▲	6	1038968	(10000000-20000000) Label, Soltn, Tank [5.0 Gal]	1
▲	7	1040113	(10000000-20000000) Label, Oper, Instr [Readyspace]	1
▲	8	1039086	(10000000-20000000) Label, Side [R3 Readyspace]	1
▲▽	9	9004285	(10000000-20000000)● Handle, Tank Kit	1
▲▲	10	24265	(10000000-20000000) Screw, Pan, Phl, M4 X 0.70 X 16, Ss	2
	11	1019349	(10000000-20000000) Screw, Trs, M6 X 1.00 X 16, Ss, Sems	3
▽	12	9004298	(10000000-20000000) Shroud, W/ Labels Tennant 5 Gal Kit	1
▲	13	578769	(10000000-20000000) Decal, Moving Parts Textless	2
▲	14	1039084	(10000000-20000000) Label, Logo, White, Tennant, 5.5"Lg	1

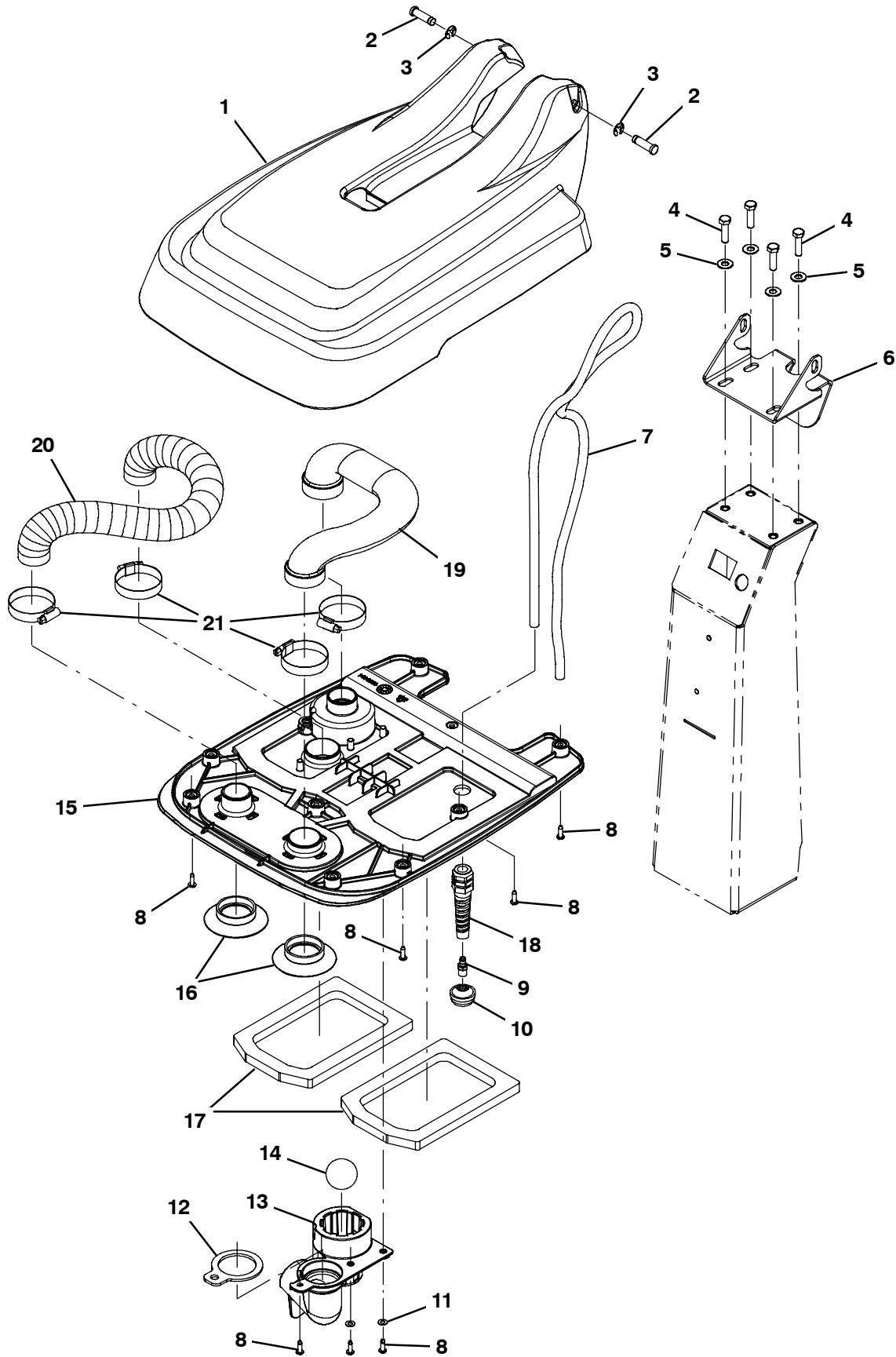
▽ ASSEMBLY

▲ INCLUDED IN ASSEMBLY

● RECOMMENDED STOCK ITEMS

TANK COVER GROUP

355047



TANK COVER GROUP

Ref.	Part No.	Serial Number	Description	Qty.	
1	1031638	(10000000-20000000)	Cover , Tank, Upper, Tennant [Trex]	1	
2	1035358	(10000000-20000000)	Pin, Grvd, 0.375d, 1.25l	2	
3	24555	(10000000-20000000)	Ring, Retaining, Ext, 0.38d, [E-Ring]	2	
4	1016399	(10000000-20000000)	Screw, Hex, M8 X 1.25 X 30, NI, Ss	4	
5	140027	(10000000-20000000)	Washer, Flat, 0.35b 0.75d .04, Ss	4	
6	1034346	(10000000-20000000)	Bracket, Pivot, Cover, Mtg	1	
7	1036063	(10000000-20000000)	Hose, Soltn, .25 Id, .453 Od, 56.0 L	1	
8	140340	(10000000-20000000)	Screw, Pan, Phl, 10-24 X 0.62, Ss[Typ25]	13	
9	1042715	(10000000-20000000)	Fitting, Brs, Str, Bm04/Pm02	1	
10	1032556	(10000000-20000000)	● Filter, Soltn Tube, 80 Mesh	1	
11	140011	(10000000-20000000)	Washer, Flat, 0.21b 0.45d .03, Ss	2	
12	1051274	(10000000-20000000)	Gasket, Shield, Float	1	
13	1042277	(10000000-20000000)	Shield, Float	1	
14	1044370	(10000000-20000000)	● Ball, Float, W/O Cage	1	
▽	15	9005924	(10000000-20000000)	Cover, Tank, Inner W/ Seals, Kit	1
▲	16	1036090	(10000000-20000000)	● Seal, Vacuum [Trex]	2
▲	17	1034801	(10000000-20000000)	● Gasket, Tank	2
▲	18	130167	(10000000-20000000)	● Strainrelief, Cord, Ele, Pm08, Blk Nyl	1
	19	1035866	(10000000-20000000)	Hose, Recvy, Formed [Trex]	1
	20	1037756	(10000000-20000000)	● Hose, Vacuum, 1.5od, 18.0l [Wire-Reinf]	1
	21	140308	(10000000-20000000)	Clamp, Hose, Wormdrive, 1.31-2.25d, .50w	4

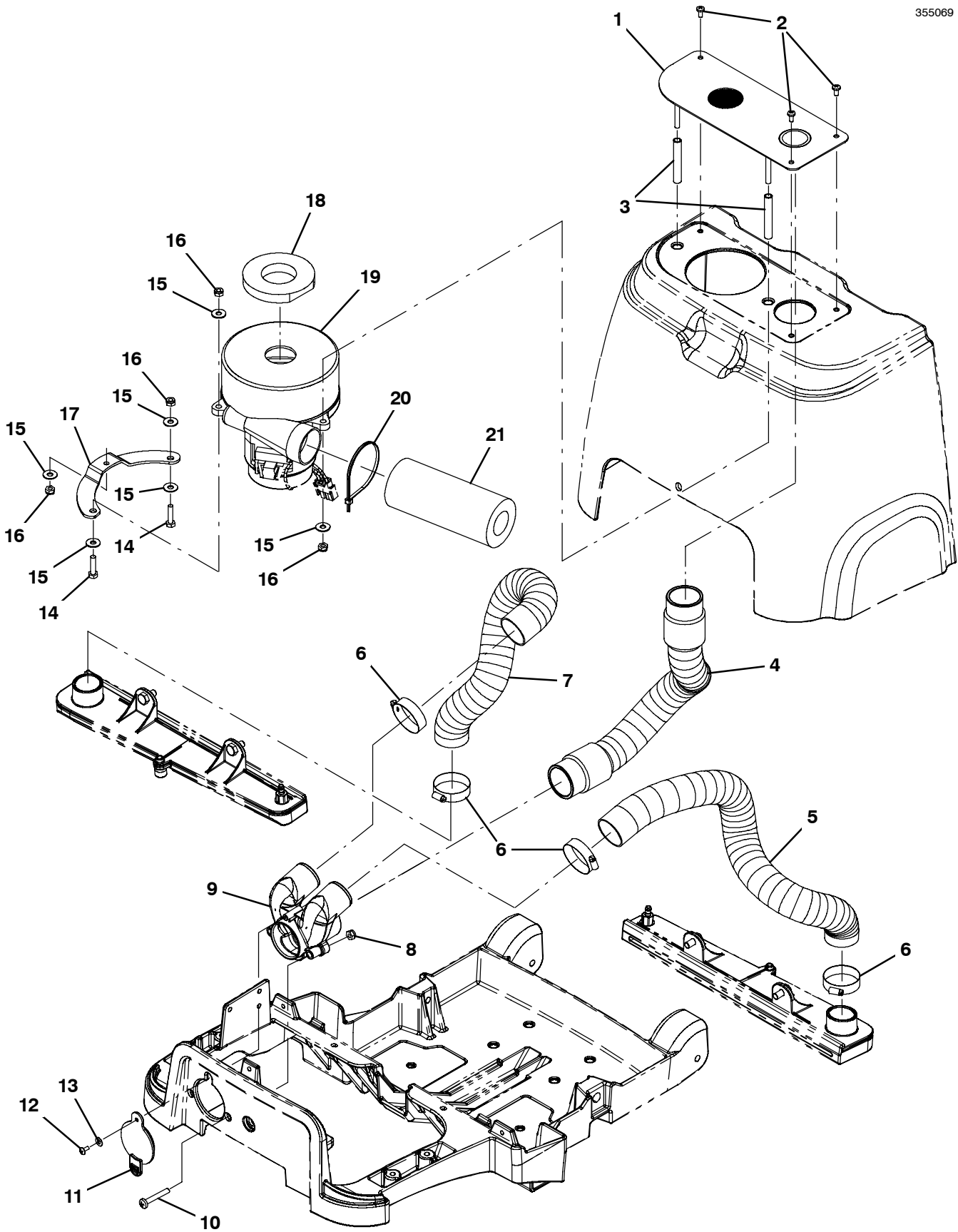
▽ ASSEMBLY

▲ INCLUDED IN ASSEMBLY

● RECOMMENDED STOCK ITEMS

VACUUM FAN GROUP

355069



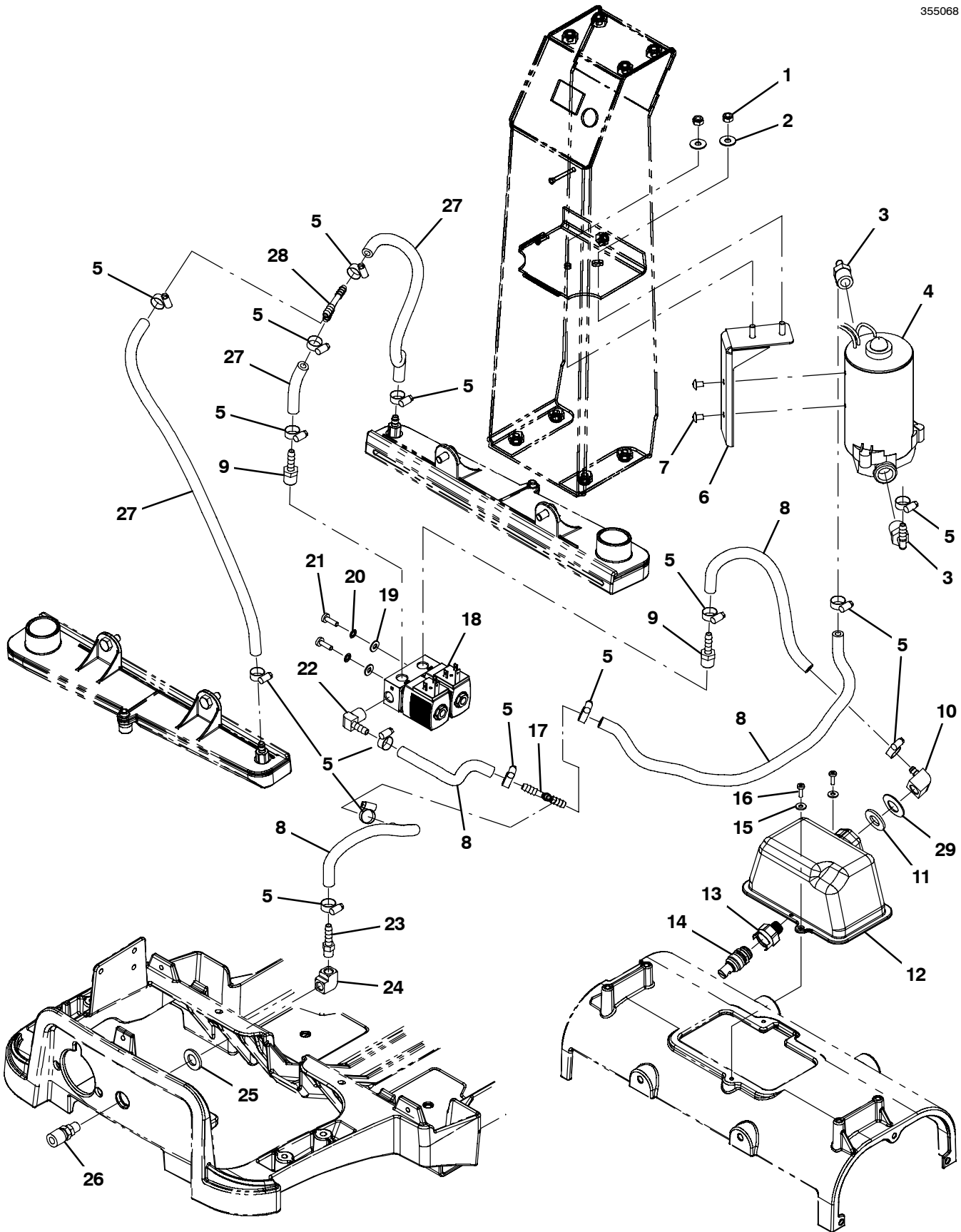
VACUUM FAN GROUP

Ref.	Part No.	Serial Number	Description	Qty.
1	1031960	(10000000-20000000)	Plate, Mtg, Vacuum	1
2	1026454	(10000000-20000000)	Screw, Pan, Phl, M5 X 0.80 X 10, Ss	3
3	610144	(10000000-20000000)	Spacer, Fan	2
4	1032555	(10000000-20000000)	● Hose, Vacuum, 1.50id X 19.5l, 2cuff, Clr	1
5	1038373	(10000000-20000000)	● Hose, Vacuum, Wir, 38.0id X 490.0l, Clr	1
6	79381	(10000000-20000000)	Clamp, Hose, Wormdrive, 1.25-2.00d, .50w	4
7	1038379	(10000000-20000000)	● Hose, Vacuum, Wir, 38.0id X 335.0l, Clr	1
8	08708	(10000000-20000000)	Nut, Hex, Lock, M6 X 1.00, NI	2
9	1050092	(10000000-20000000)	Manifold, Soltn, Wand [Trex]	1
10	09258	(10000000-20000000)	Screw, Pan, Phl, M6 X 1.00 X 40, 4.8	2
11	607183	(10000000-20000000)	● Seal, Cap, Vacuum Tool [607170]	1
12	140801	(10000000-20000000)	Screw, Trs, Phl, 08-32 X 0.38, Ss	1
13	140011	(10000000-20000000)	Washer, Flat, 0.21b 0.45d .03, Ss	1
14	09007	(10000000-20000000)	Screw, Hex, M6 X 1.00 X 25, Ss	2
15	01684	(10000000-20000000)	Washer, Flat, 0.27b 0.69d .05, Ss	6
16	08708	(10000000-20000000)	Nut, Hex, Lock, M6 X 1.00, NI	4
17	1034069	(10000000-20000000)	Plate, Vac Mounting	1
18	630010	(10000000-20000000)	● Gasket, 12.7mm Th, 43mmid 73mmmod	1
19	1037541	(10000000-20000000)	● Fan, Vacuum, 5.7d, 120 Vac, 2 Stage	1
19	1038018	(10000000-20000000)	● Fan, Vacuum, 5.7d, 240 Vac, 2 Stage	1
20	130773	(10000000-20000000)	Tie, Cable, Nyl, 11.0l, .14w, 3.0 Max. D	1
21	600009	(10000000-20000000)	● Muffler, Exhaust, Vacfan	1

● RECOMMENDED STOCK ITEMS

SOLUTION GROUP

355068



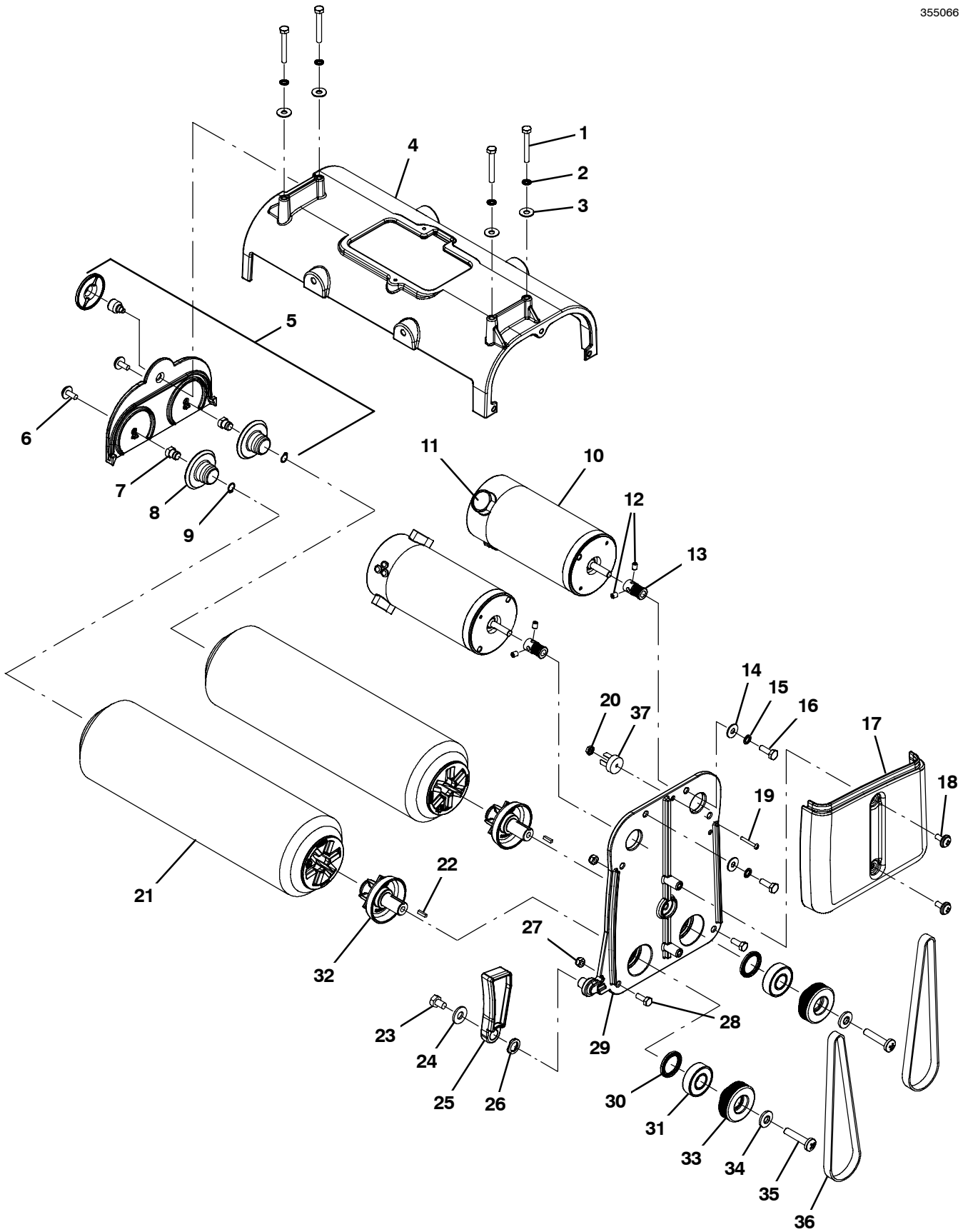
SOLUTION GROUP

Ref.	Part No.	Serial Number	Description	Qty.
1	08712	(10000000-20000000)	Nut, Hex, Lock, M6 X 1.00, NI, Ss	2
2	01684	(10000000-20000000)	Washer, Flat, 0.27b 0.69d .05, Ss	2
3	150417	(10000000-20000000)	Fitting, Plstc, E90, Bm04/Pm06	2
4	1031915	(10000000-20000000)	● Pump, Soltn, Ele, 110vac	1
4	1032241	(10000000-20000000)	● Pump, Ele, Soltn, 230v	1
5	43844	(10000000-20000000)	Clamp, Hose, Wormdrive, 0.25-0.62d, .31w	15
6	1034331	(10000000-20000000)	Bracket, Pump	1
7	140197	(10000000-20000000)	Screw, Trs, Phl, 10-24 X 0.38, Sems, Ss	2
8	606364	(10000000-20000000)	Hose, Pvc, Brd, 0.25id 0.50od 60.0l, Gray (160204)	1
9	150515	(10000000-20000000)	Fitting, Brs, Str, Bm04/Pm04 [Taped]	2
10	1028773	(10000000-20000000)	Fitting, Brs, E90, Bm04/Pf04	1
11	32486	(10000000-20000000)	Washer, Flat, 0.50, Sae	1
12	1033445	(10000000-20000000)	Shroud, Splash, Nozzle [Trex]	1
13	1033431	(10000000-20000000)	● Nozzle, Attachment Body	1
14	1034685	(10000000-20000000)	● Nozzle, Tip, Spray [Qtka]	1
15	41579	(10000000-20000000)	Washer, Flat, 08, Ss	2
16	579237	(10000000-20000000)	Screw, Pan, Phl, M4 X 0.70 X 12, Ss	2
17	150713	(10000000-20000000)	Fitting, Plstc, Tee, Bm04/Bm04/Bm04	1
18	1037846	(10000000-20000000)	● Manifold, Soltn, 120 Volt	1
18	1038022	(10000000-20000000)	● Manifold, Soltn, 230 Volt	1
19	01683	(10000000-20000000)	Washer, Flat, 10, Ss	2
20	07514	(10000000-20000000)	Washer, Lock, Int, 10, Ss	2
21	140841	(10000000-20000000)	Screw, Pan, Phl, 10-32 X 0.62, Ss	2
22	150418	(10000000-20000000)	Fitting, Brs, E90, Bm04/Pm04	1
23	150525	(10000000-20000000)	Fitting, Brs, Str, Bm04/Pm02	1
24	150402	(10000000-20000000)	Fitting, Brs, E90, Pf02/Pf02	1
25	3148.816	(10000000-20000000)	Washer, Flat, 0.52b 0.88d .06, Stl, Pl	1
26	150915	(10000000-20000000)	● Fitting, Brs, Qdc, Pm02, Fem [Ser 5]	1
27	606161	(10000000-20000000)	Hose, Pvc, Brd, 0.25id 0.50od 36.0l, Gray (160204)	1
28	150713	(10000000-20000000)	Fitting, Plstc, Tee, Bm04/Bm04/Bm04	1
29	1035296	(10000000-20000000)	Washer, Flat, Belleville, .567	1

● RECOMMENDED STOCK ITEMS

SCRUB HEAD GROUP, 120V

355066



SCRUB HEAD GROUP, 120V

Ref.	Part No.	Serial Number	Description	Qty.
	1	1045325	(10000000-20000000) Screw, Hex, M6 X 1.00 X 45, Ss	8
	2	1027144	(10000000-20000000) Washer, Lock, Int, M6, Ss	8
	3	01684	(10000000-20000000) Washer, Flat, 0.27b 0.69d .05, Ss	8
	4	1030669	(10000000-20000000) Housing, Brush, Dbl, 40cm	1
▽	5	9004278	(10000000-20000000) Door Kit, Brush, W/ Hdwr	1
▲	6	1019349	(10000000-20000000) Screw, Trs, M6 X 1.00 X 16, Ss, Sems	2
▲	7	1030682	(10000000-20000000) Shaft, Idler Plug	2
▲	8	1030680	(10000000-20000000) Hub, Idler, Brush	2
▲	9	01543	(10000000-20000000) Ring, Retaining, Ext, 0.39d, Basic	2
▽	10	1035298	(10000000-20000000)● Motor, .25hp, 115vdc, 2.1a, 1550 Rpm	2
▲	11	1045465	(10000000-20000000)● Brush, Carbon (Pk=2) Ref Part 1035298	4
	12	09162	(10000000-20000000) Screw, Set, Soc, M6 X 1.00 X 8, NI	4
	13	1030623	(10000000-20000000) Sheave, 07grv, 16.03pd [Ph]	2
	14	01684	(10000000-20000000) Washer, Flat, 0.27b 0.69d .05, Ss	4
	15	07515	(10000000-20000000) Washer, Lock, Int, 0.25, Ss	4
	16	34323	(10000000-20000000) Screw, Hex, .25-20 X 0.75, NI	4
	17	1031169	(10000000-20000000) Cover, Belt, Bl-Gr (Dual Roller)	1
	18	1019349	(10000000-20000000) Screw, Trs, M6 X 1.00 X 16, Ss, Sems	2
	19	140946	(10000000-20000000) Screw, Rnd, Sltd, 06-32 X 1.00, Nyl	1
	20	140534	(10000000-20000000) Nut, Hex, #06-32, Nyl	1
	21	1028953	(10000000-20000000)● Roller Assy, Readyspace	2
	22	578416	(10000000-20000000) Key, Sq, 0.13 X 0.13, 0.50l	1
	23	386868	(10000000-20000000) Screw, Hex, M8 X 1.25 X 12, Ss	1
	24	07515	(10000000-20000000) Washer, Lock, Int, 0.25, Ss	1
	25	1042443	(10000000-20000000) Support, Kickstand, Blk, Nyl	1
	26	140060	(10000000-20000000) Washer .505x.750x.045 Wave	1
	27	08712	(10000000-20000000) Nut, Hex, Lock, M6 X 1.00, NI, Ss	3
	28	15678	(10000000-20000000) Screw, Hex, M6 X 1.00 X 16, Ss	3
▽	29	9004280	(10000000-20000000) Bracket, Motor Mount W/ Bearing/Seal Kit	1
▲	30	578138000	(10000000-20000000)● Seal, Oil, Brg, .94id 1.31od	2
▲	31	140123	(10000000-20000000)● Bearing, Ball [1 Pc=1bearing]	2
▲	32	1028662	(10000000-20000000) Hub, Drive, Brush	2
	33	1030625	(10000000-20000000)● Sheave, 07grv, 49.3pd [Ph]	2
	34	41186	(10000000-20000000) Washer, Flat, Belleville, .31	2
	35	603154	(10000000-20000000) Screw, Pan, M8 X 1.25 X 40, Ss	2
	36	9004282	(10000000-20000000)● Belt Kit, W/ Installation Tool [Qty 2]	1
	37	130288	(10000000-20000000)● Rectifier, Bridge, Rnd, 12a 1000volt, Ce	1

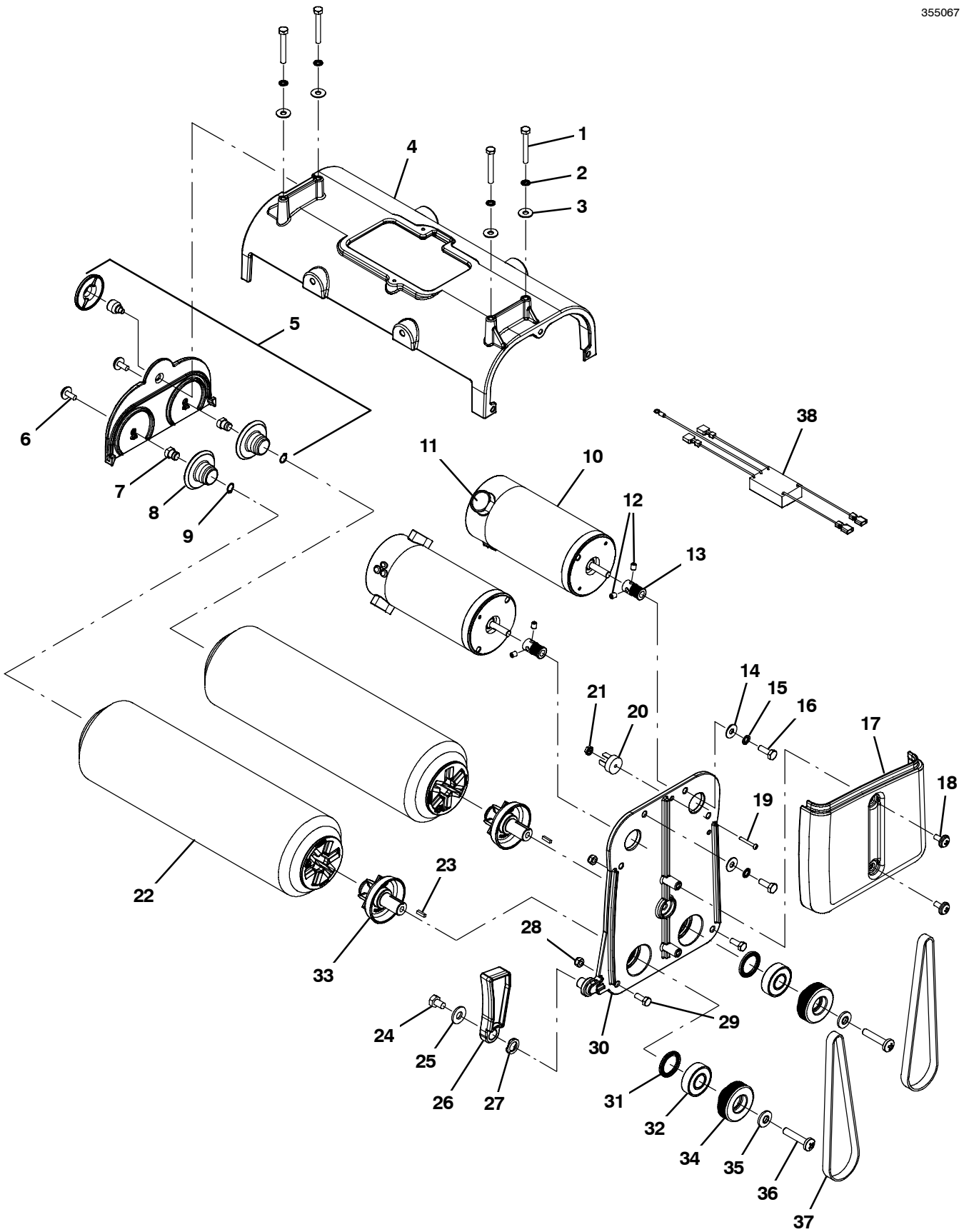
▽ ASSEMBLY

▲ INCLUDED IN ASSEMBLY

● RECOMMENDED STOCK ITEMS

SCRUB HEAD GROUP, 230V

355067



SCRUB HEAD GROUP, 230V

Ref.	Part No.	Serial Number	Description	Qty.
1	1045325	(10000000-20000000)	Screw, Hex, M6 X 1.00 X 45, Ss	8
2	1027144	(10000000-20000000)	Washer, Lock, Int, M6, Ss	8
3	01684	(10000000-20000000)	Washer, Flat, 0.27b 0.69d .05, Ss	8
4	1030669	(10000000-20000000)	Housing, Brush, Dbl, 40cm	1
▽	5	9004278	(10000000-20000000) Door Kit, Brush, W/ Hdwr	1
▲	6	1019349	(10000000-20000000) Screw, Trs, M6 X 1.00 X 16, Ss, Sems	2
▲	7	1030682	(10000000-20000000) Shaft, Idler Plug	2
▲	8	1030680	(10000000-20000000) Hub, Idler, Brush	2
▲	9	01543	(10000000-20000000) Ring, Retaining, Ext, 0.39d, Basic	2
▽	10	1036629	(10000000-20000000) ● Motor, .25hp, 230vdc, 1.2a, 1600 Rpm	2
▲	11	1045463	(10000000-20000000) ● Brush, Carbon (Pk=2) Ref Part 1036629	4
	12	09162	(10000000-20000000) Screw, Set, Soc, M6 X 1.00 X 8, NI	4
	13	1030623	(10000000-20000000) ● Sheave, 07grv, 16.03pd [Ph]	2
	14	01684	(10000000-20000000) Washer, Flat, 0.27b 0.69d .05, Ss	4
	15	07515	(10000000-20000000) Washer, Lock, Int, 0.25, Ss	4
	16	34323	(10000000-20000000) Screw, Hex, .25-20 X 0.75, NI	4
	17	1031169	(10000000-20000000) Cover, Belt, Bl-Gr (Dual Roller)	1
	18	1019349	(10000000-20000000) Screw, Trs, M6 X 1.00 X 16, Ss, Sems	2
	19	140946	(10000000-20000000) Screw, Rnd, Slt, 06-32 X 1.00, Nyl	1
	20	130288	(10000000-20000000) ● Rectifier, Bridge, Rnd, 12a 1000volt, Ce	1
	21	140534	(10000000-20000000) Nut, Hex, #06-32, Nyl	1
	22	1028953	(10000000-20000000) ● Roller Assy, Readyspace	2
	23	578416	(10000000-20000000) Key, Sq, 0.13 X 0.13, 0.50l	1
	24	386868	(10000000-20000000) Screw, Hex, M8 X 1.25 X 12, Ss	1
	25	07515	(10000000-20000000) Washer, Lock, Int, 0.25, Ss	1
	26	1042443	(10000000-20000000) Support, Kickstand, Blk, Nyl	1
	27	140060	(10000000-20000000) Washer .505x.750x.045 Wave	1
	28	08712	(10000000-20000000) Nut, Hex, Lock, M6 X 1.00, NI, Ss	3
	29	15678	(10000000-20000000) Screw, Hex, M6 X 1.00 X 16, Ss	3
▽	30	9004280	(10000000-20000000) Bracket, Motor Mount W/ Bearing/Seal Kit	1
▲	31	578138000	(10000000-20000000) ● Seal, Oil, Brg, .94id 1.31od	2
▲	32	140123	(10000000-20000000) ● Bearing, Ball [1 Pc=1bearing]	2
▲	33	1028662	(10000000-20000000) Hub, Drive, Brush	2
	34	1030625	(10000000-20000000) ● Sheave, 07grv, 49.3pd [Ph]	2
	35	41186	(10000000-20000000) Washer, Flat, Belleville, .31	2
	36	603154	(10000000-20000000) Screw, Pan, M8 X 1.25 X 40, Ss	2
	37	9004282	(10000000-20000000) ● Belt Kit, W/ Installation Tool [Qty 2]	1
	38	1036953	(10000000-20000000) ● Filter, Brush, 270 Vdc, 3a	1

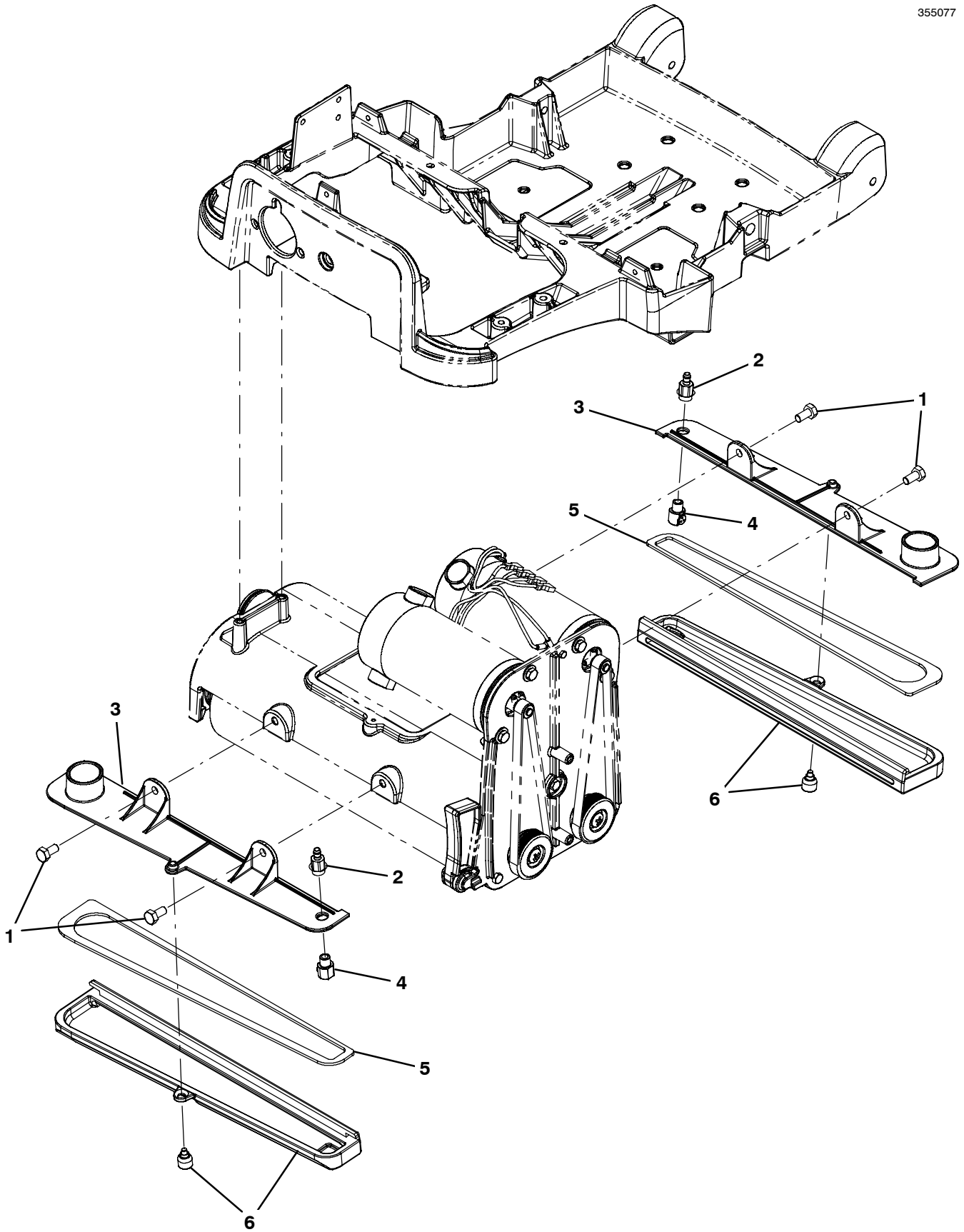
▽ ASSEMBLY

▲ INCLUDED IN ASSEMBLY

● RECOMMENDED STOCK ITEMS

ROLLER TOOL GROUP

355077



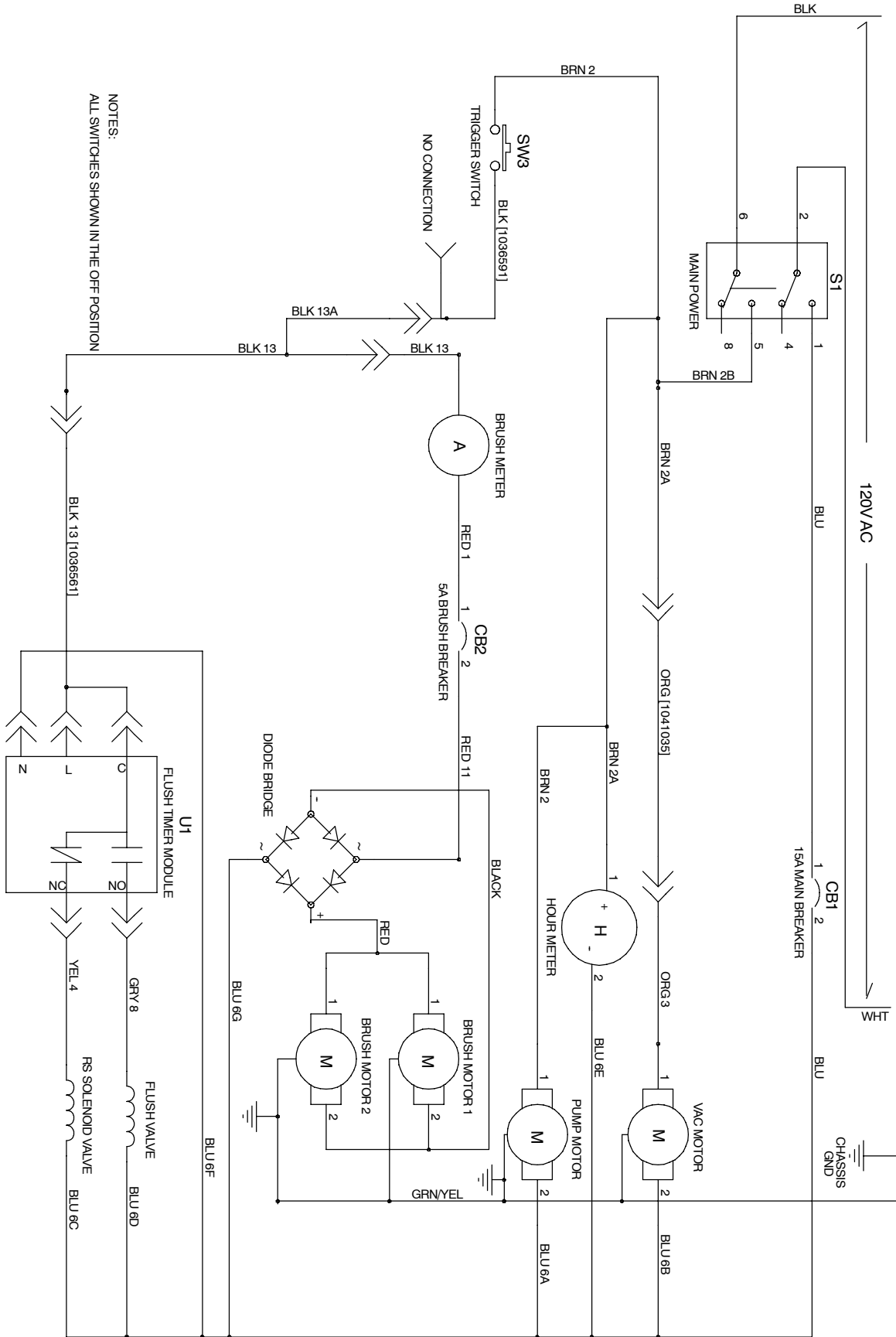
ROLLER TOOL GROUP

Ref.	Part No.	Serial Number	Description	Qty.
1	49826	(10000000-20000000)	Screw, Hex, M8 X 1.25 X 16, NI, Ss	4
2	1040254	(10000000-20000000)	Fitting, Brs, Str, Bm04/Pf02	2
3	1030390	(10000000-20000000)	Cover, Tool, Str Roll Vacuum, 380mm	2
4	1037380	(10000000-20000000)	Nozzle, Flush, Readyspace	2
5	1034819	(10000000-20000000)	● Gasket, Tool ,Cover	2
6	9004284	(10000000-20000000)	Cover, Tool W/ Hardware Kit	2

● RECOMMENDED STOCK ITEMS

ELECTRICAL DIAGRAM, 120V

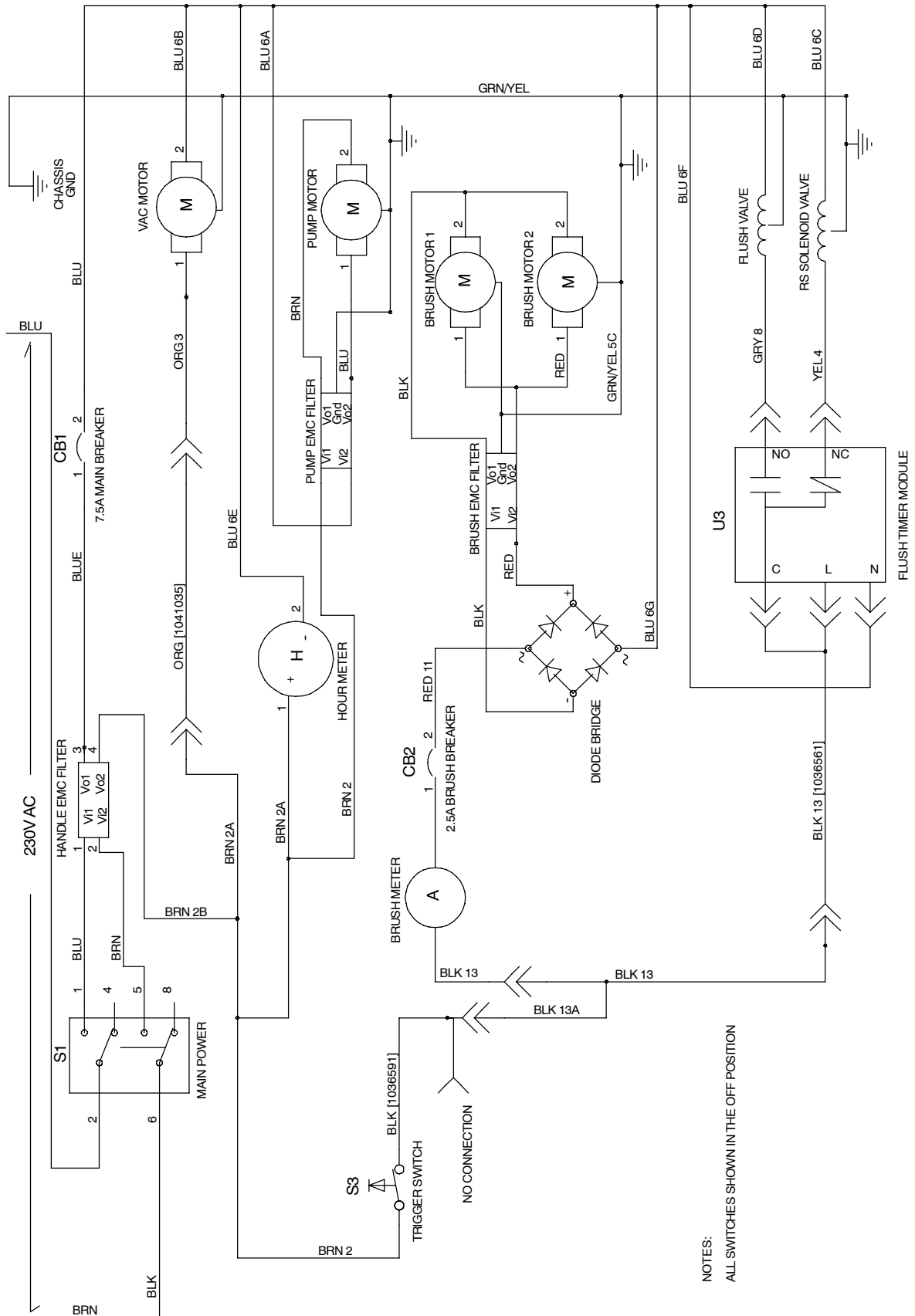
1046175



NOTES:
ALL SWITCHES SHOWN IN THE OFF POSITION

ELECTRICAL DIAGRAM, 230V

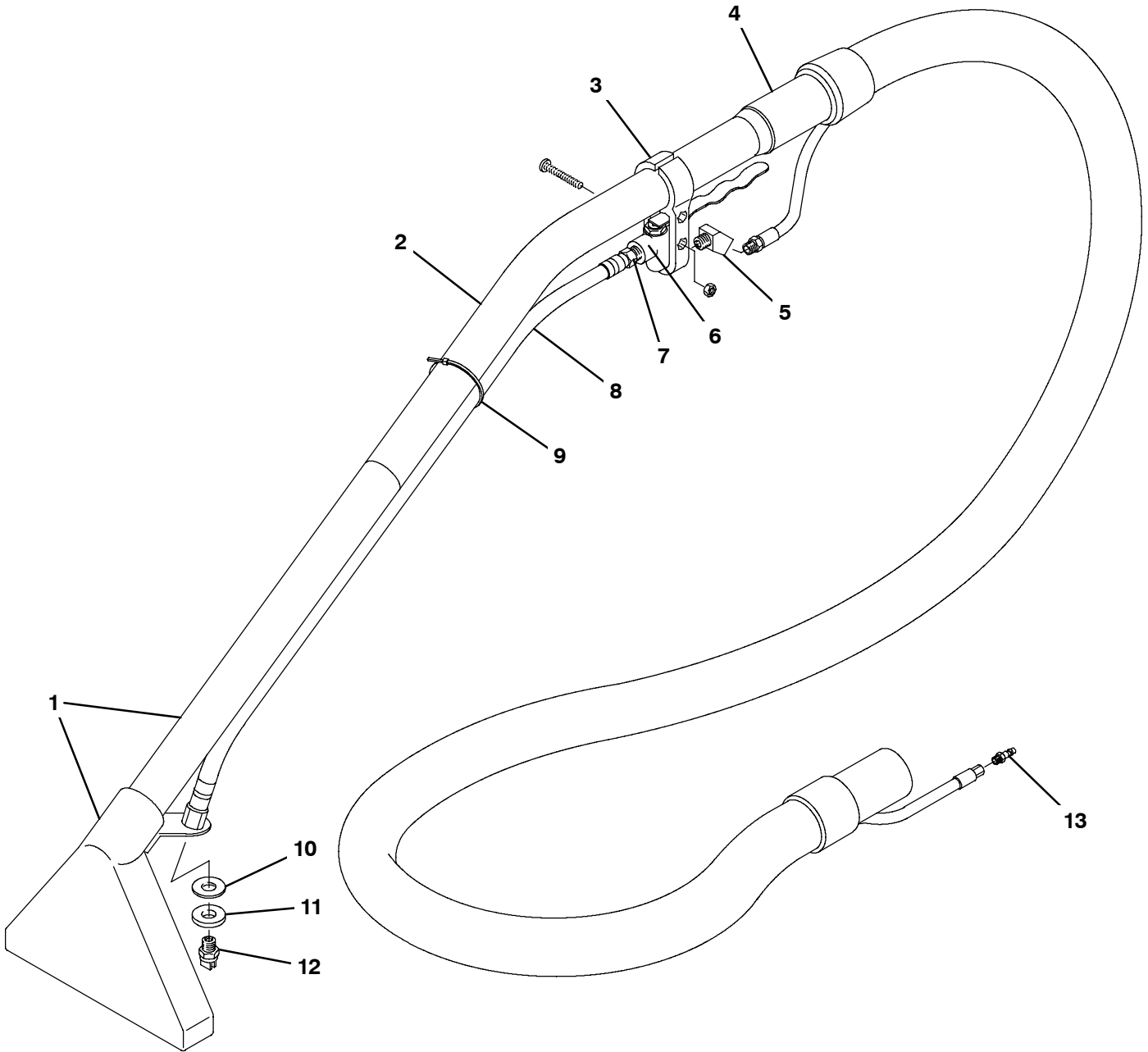
1046177



NOTES:
ALL SWITCHES SHOWN IN THE OFF POSITION

WAND GROUP, 8 in / 203 mm

355078



WAND GROUP, 8 in / 203 mm

Ref.	Part No.	Serial Number	Description	Qty.
▽	605976	(10000000-20000000)	● Tool, Pickup, Floor, 8.0w, Complt	1
▲	1 605977	(10000000-20000000)) Head Assy, W/ Lower Tube, 8.0inch	1
▲	2 200467	(10000000-20000000)) Wand [Upper Section Only]	1
▲	3 605988	(10000000-20000000)) Vr, Bracket, Hanger, Valve	1
▲	4 603546	(10000000-20000000)	● Hose Assy, 1.25 X 10ft [Hide-A-Hose]	1
▲	5 150403	(10000000-20000000)) Fitting, Brs, E45, Pf04/Pm04 [Taped]	1
▲	6 578064000	(10000000-20000000)	● Valve, Cntrl, Water	1
▲	7 150516	(10000000-20000000)) Fitting, Brs, Str, Bm06/Pm05	1
▲	8 605991	(10000000-20000000)	● Hose Assy, 0.25d [Whip]	1
▲	9 130041	(10000000-20000000)) Tie, Cable, Nyl, 11.5l .19w	1
▲	10 140058	(10000000-20000000)) Washer, Flat, 0.54b 0.88d .06, Ss [Wand]	1
▲	11 605990	(10000000-20000000)) Washer, Flat, .53 X 1.1 X .19, Abs	1
▲	12 605989	(10000000-20000000)	● Plstc Vee Jet 8002	1
▲	13 150921	(10000000-20000000)	● Fitting, Ss, Qdc, Pm02 [Ser 5]	1
	N/S 220040	(10000000-20000000)	● Bag, Hose, Accssry, 24x36[W/Draw String]	1

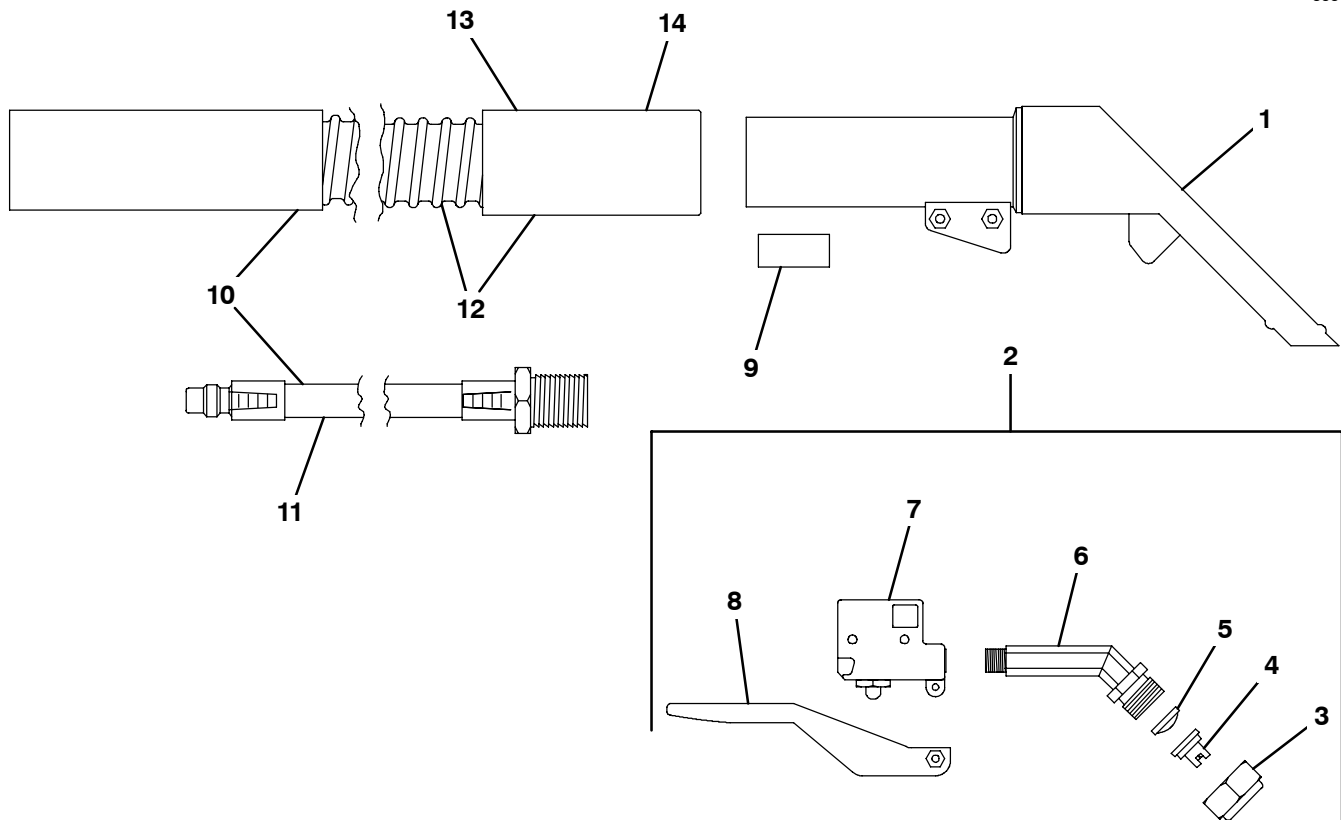
▽ ASSEMBLY

▲ INCLUDED IN ASSEMBLY

● RECOMMENDED STOCK ITEMS

HAND TOOL GROUP, 4 in / 101 mm

355079



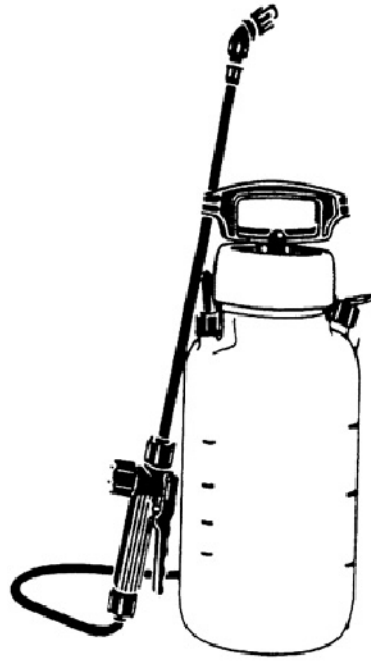
Ref.	Part No.	Serial Number	Description	Qty.
	613396	(10000000-20000000)	● Tool Assy, Hand, 4.0w, 1.25d Hose[Ser 5]	1
▽	608901	(10000000-20000000)	● Tool, Hand, W/ Trigger Assy	1
▲	1 608891	(10000000-20000000)	● Tool, Hand, W/O Trigger Assy	1
▲▽	2 608899	(10000000-20000000)) Trigger, Hand Tool, Assy	1
▲▲	3 608897	(10000000-20000000)	● Vr, Nut, Plstc, Spray Tip	1
▲▲	4 608896	(10000000-20000000)	● Fitting, Spray, Tip 11003 Blue	1
▲▲	5 608900	(10000000-20000000)	● Screen, Tool, Hand	1
▲▲	6 608895	(10000000-20000000)) Fitting, Nozzle, Spray	1
▲▲	7 608894	(10000000-20000000)) Fitting, Valve Body, Hand Tool	1
▲▲	8 608898	(10000000-20000000)) Trigger, Hand Tool	1
	9 608892	(10000000-20000000)) Seal, Hose, Soltn	1
▽	10 613395	(10000000-20000000)	● Hose, Vacuum, 1.25id X 104.0l, 2cuff	1
▲	11 608893	(10000000-20000000)	● Hose, Soltn, Hand Tool	1
▲▽	12 613394	(10000000-20000000)	● Hose, Vacuum, 1.25id X 104.0l, 1cuff,Blk	1
▲▲	13 613393	(10000000-20000000)	● Hose, Vacuum, 1.25id X 088.0l [I-Helix]	1
▲▲	14 609440	(10000000-20000000)	● Cuff, Hose, 1.5slip X 1.25thd Blk	1
	N/S 220040	(10000000-20000000)	● Bag, Hose, Accssry, 24x36[W/Draw String]	1

▽ ASSEMBLY

▲ INCLUDED IN ASSEMBLY

● RECOMMENDED STOCK ITEMS

PUMP-UP CARPET SPRAYER



Ref.	Part No.	Serial Number	Description	Qty.
	605848	(10000000-20000000)	● Sprayer 2gal Pumpup Hd	1

● RECOMMENDED STOCK ITEMS