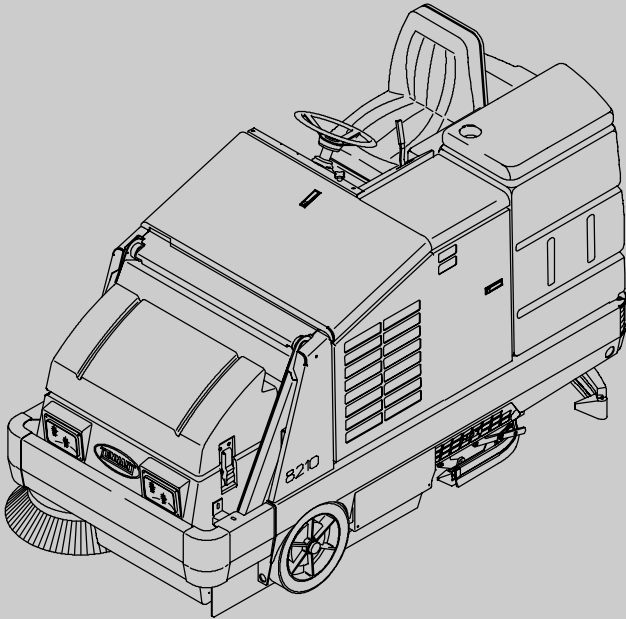




8200

Parts Manual



When ordering replacement parts, use the illustrated parts list section in this manual. Before ordering parts or supplies, be sure to have your machine model number and serial number available. Parts and supplies may be ordered online, by phone, or mail from any authorized parts and service center, distributor or from any of the manufacturer's subsidiaries.

This machine will provide excellent service. However, the best results will be obtained at minimum costs if:

- The machine is operated with reasonable care.
- The machine is maintained regularly - per the machine maintenance instructions provided.
- The machine is maintained with manufacturer supplied or equivalent parts.

MACHINE DATA

Please fill out at time of installation for future reference.

Model No. - 8200

Serial No. - _____

Machine Options - _____

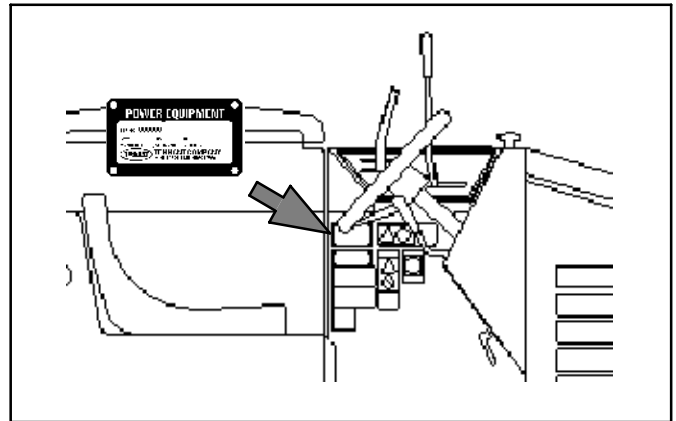
Sales Rep. - _____

Sales Rep. phone no. - _____

Customer Number - _____

Installation Date - _____

Machine Data Plate



Tennant Company

PO Box 1452

Minneapolis, MN 55440

Phone: (800) 553-8033 or (763) 523-2850

www.tennantco.com

MAXPRO and ES are United States registered trademarks of the Tennant Company

Thermo Sentry is a United States trademarks of Tennant Company.

Specifications and parts are subject to change without notice.

Copyright © 1998-2000, 2002-2006 TENNANT, Printed in U.S.A.

HOW TO USE THIS MANUAL

This section on *HOW TO USE THIS MANUAL* will tell you how to:

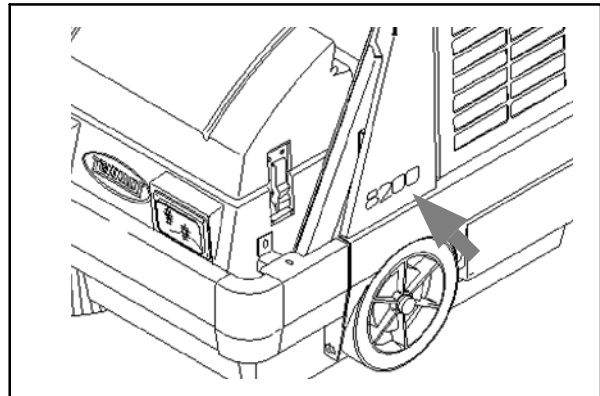
- Find important machine information for ordering correct repair parts.
- Find TENNANT part numbers.
- Order TENNANT parts and supplies.

IMPORTANT INFORMATION

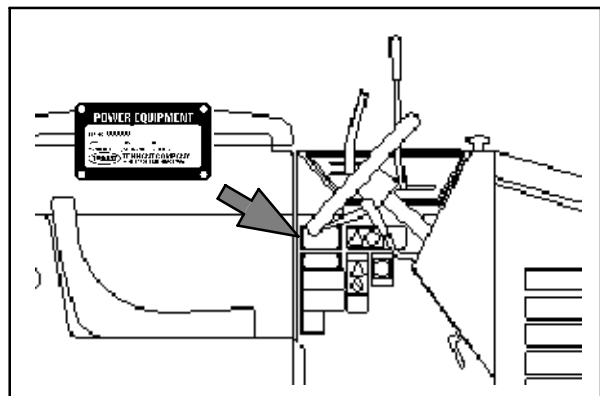
When placing an order for parts, the machine model and machine serial number are important. Refer to the *MACHINE DATA* box which is filled out during the installation of your machine. The *MACHINE DATA* box is located on the inside of the front cover of this manual.

MACHINE DATA	
<i>Please fill out at time of installation for future reference.</i>	
Machine Model Number -	8200
Machine Serial Number -	_____
Machine Options -	_____
TENNANT Representative/phone no. -	_____
Customer ID Number -	_____
Date of Installation -	_____
Manual Number -	330060
Revision:	00
Published:	1-98

The model number of your machine is on the side of the machine.



The serial number of your machine is printed on the machine data plate located as shown.



HOW TO USE THIS MANUAL

FINDING A TENNANT PART NUMBER

This manual contains the following sections:

- HOW TO USE THIS MANUAL
- STANDARD PARTS
- OPTIONS
- BREAKDOWNS
- FORD ENGINE BREAKDOWN
- GM 1.6L ENGINE BREAKDOWN
- CROSS REFERENCE

The STANDARD PARTS section lists repair parts for standard machines. They are grouped in this general order:

- General wear parts.
- Machine frame and related parts.
- Machine propelling system.
- Sweeping and Scrubbing components.
- Electrical parts.

The OPTION section lists repair parts of options.

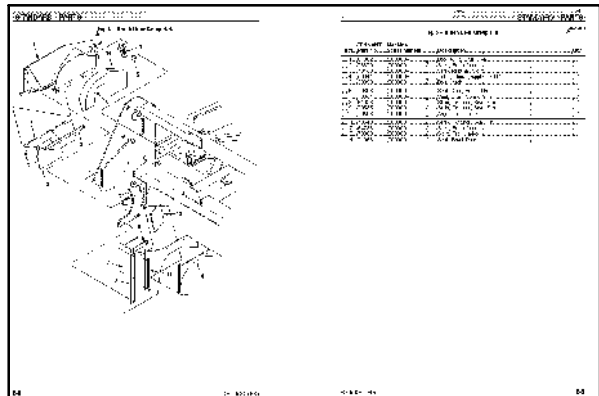
The BREAKDOWN section lists available repair parts of major components.

All sections in this manual consist of parts illustrations and corresponding parts lists.

The parts illustrations are numbered with **Ref** numbers which refer to corresponding parts lists.

The parts lists include a number of columns of information:

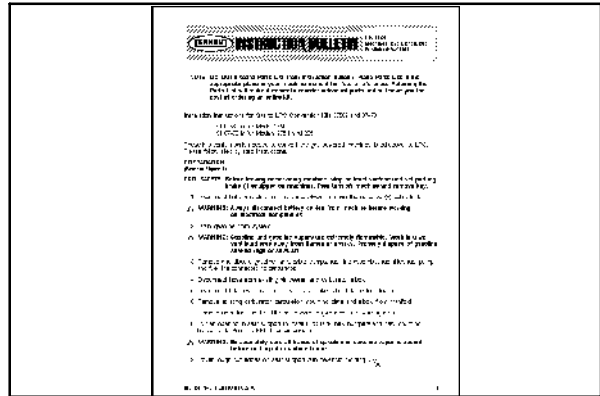
- **Ref** - column refers to the reference number on the parts illustration.
- ▽ - indicates the part is an assembly.
- ▲ - indicates the part is included in the assembly listed just before it.
- **TENNANT Part No.** - column lists the TENNANT part number for the part.
- **Serial Number** - column indicates the set of machines the part number is applicable to. Serial numbers change when the machine design has been modified. The most current design of the machine is shown in the main illustration, older designs are boxed in a corner of the illustration.
- **Description** - column is a brief description of the part.
- **Qty.** - column lists the quantity of that part used in that area of the machine.



Ref.	Tennant Part No.	Machine Serial Number	Description	Qty.
▽	365036	(000000-) Light Kit, Rev. Orig	1
▲▽	1 361975	(000000-) Light, Rev, Amber, 12V	1
▲▲	44681-1	(000000-) Lens, Rev, Light, Amber	1
▲▲	45779	(000000-) Lamp	1
▲▲	2 10632-12	(000000-) Grommet, Rubber	2
▲▲	3 365032	(000000-) Duct, Vinyl	1
▲	4 365033	(000000-) Duct, Vinyl	1
▲	5 360520	(000000-) Switch, Flacker, Sadt, 3Pos	1
▲	6 364183	(000000-) Harness, Revolving Light, 8200	1
▲	7 361160	(000000-) Molding, Rigid	1
▲	8 365034	(000000-) Insulation, Soundfoam	2
▲	9 365035	(000000-) Insulation, Soundfoam	2
	44681	(000000-) Lens, Revolving Light, Red	1
	44681-2	(000000-) Lens, Revolving Light, Blue	1

NOTE: If a service kit is installed on your machine, be sure to keep the INSTRUCTION BULLETIN which came with the kit. It contains repair parts numbers needed for ordering future parts.

NOTE: Fasteners used in this machine may be metric or non-metric. Take care when replacing hardware to replace with same thread size.



PLACING AN ORDER

Orders may be placed by phone, fax, or by mail. Phone orders may need written confirmation. Follow the steps below to insure prompt delivery:

1. Identify the model number of your machine.
2. Identify the serial number of your machine.
3. Find the part number of the part you need. Do not order by page number or reference number. If you are not able to find the part number, call your TENNANT representative for help or send the old part as a sample.
4. Determine the quantity of the part you need.
5. Provide the following company information:
 - Company name
 - Customer ID Number
 - Shipping address
 - Billing address
 - First and last name of person ordering parts
 - Telephone number
 - Purchase order number
6. Provide definitive shipping instructions.

HOW TO USE THIS MANUAL

Any claim for loss or damage to a shipment in transit should be filed promptly with the transportation company making the delivery. Shipments will be complete unless the packing list or order acknowledgement indicates items back ordered.

If parts received are suspected to be incorrect or defective, please contact the TENNANT representative from whom you ordered the part. They will give authorization for return and/or handle replacement shipments when required.

SECTION 2

Contents	Page
Fig. 1 - General Recommended Maintenance Items	2-3
Fig. 2 - Brushes, Replacement for Max Pro 1000 (Two Brush)	2-4
Fig. 3 - Brushes, Replacement for Max Pro 1200 (Three Brush)	2-6
Fig. 4 - Main Frame Group	2-8
Fig. 5 - Brush Doors Group	2-10
Fig. 6 - Operator Station Group	2-12
Fig. 7 - Operator Station Insulation Group	2-14
Fig. 8 - Instrument Panel Assembly	2-16
Fig. 9 - Seat Group	2-18
Fig. 10 - Steering Wheel Group	2-20
Fig. 11 - Engine Side Door Group	2-22
Fig. 12 - Engine Cover Group	2-24
Fig. 13 - Engine Radiator Grille Group	2-26
Fig. 14 - Engine Group, Gasoline & LPG (000000-019999)	2-28
Fig. 15 - Engine Mount Group, Gasoline & LPG (000000-019999)	2-30
Fig. 16 - Engine Group, Gasoline (020000-)	2-32
Fig. 17 - Engine Group, LPG (020000-)	2-34
Fig. 18 - Engine Carburetor Group, Gasoline (000000-019999)	2-36
Fig. 19 - Engine EFI Group, Gasoline (020000-)	2-38
Fig. 20 - Engine Carburetor Group, LPG (000000-019999)	2-40
Fig. 21 - Engine EFI Group, LPG (020000-)	2-42
Fig. 22 - Engine Fuel Tank Group, Gasoline (000000-019999)	2-46
Fig. 23 - Engine Fuel Tank Group, Gasoline (020000-)	2-48
Fig. 24 - Engine Fuel Tank And Vaporizer Group, LPG (000000-019999)	2-50
Fig. 25 - Engine Fuel Tank Group, LPG (020000-)	2-52
Fig. 26 - Engine Air Cleaner Group, Gasoline (000000-019999)	2-54
Fig. 27 - Engine Air Cleaner Group, Gasoline (020000-)	2-56
Fig. 28 - Engine Air Cleaner Group, LPG (000000-019999)	2-58
Fig. 29 - Engine Air Cleaner Group, LPG (020000-)	2-60
Fig. 30 - Engine Alternator Group (000000-019999)	2-62
Fig. 31 - Engine Alternator Group (020000-)	2-64

Contents	Page
Fig. 32 - Engine Muffler Group (000000-019999)	2-66
Fig. 33 - Engine Muffler Group (020000-)	2-68
Fig. 34 - Engine Radiator Group (000000-019999)	2-70
Fig. 35 - Engine Radiator Group (020000-)	2-72
Fig. 36 - Engine Radiator Overflow Tank Group, Gasoline (020000-)	2-74
Fig. 37 - Engine Radiator Overflow Tank Group, LPG (020000-)	2-76
Fig. 38 - Battery Group	2-78
Fig. 39 - Wheels And Brakes Group, Front	2-80
Fig. 40 - Brake Pedal Group	2-82
Fig. 41 - Directional Pedal Group	2-84
Fig. 42 - Wheel Group, Rear Drive	2-86
Fig. 43 - Hopper Lift Arms Group	2-88
Fig. 44 - Hopper Group	2-90
Fig. 45 - Hopper Cover And Bumper Group	2-92
Fig. 46 - Hopper Dump Door Group	2-94
Fig. 47 - Hopper Filter Box Group	2-96
Fig. 48 - Main Brush Lift Group	2-98
Fig. 49 - Main Brush Drive Group	2-100
Fig. 50 - Side Brush Motor And Pivot Group	2-102
Fig. 51 - Side Brush Lift Group	2-104
Fig. 52 - Scrub Head Group, Max Pro 1000 (Two-Brush)	2-106
Fig. 53 - Scrub Head Lift Group, Max Pro 1000 (Two-Brush)	2-108
Fig. 54 - Scrub Head Linkage Group, Max Pro 1000 (Two-Brush)	2-110
Fig. 55 - Squeegee Group, Max Pro 1000 (Two-Brush), Right Side	2-112
Fig. 56 - Squeegee Group, Max Pro 1000 (Two-Brush), Left Side	2-114
Fig. 57 - Squeegee Linkage Group, Rear	2-116
Fig. 58 - Squeegee Lift Group, Rear	2-118
Fig. 59 - Squeegee Group, Rear	2-120
Fig. 60 - Solution Tank Group	2-122
Fig. 61 - Recovery Tank Group	2-124
Fig. 62 - Recovery Tank Drain Group	2-126
Fig. 63 - Solution Control Group	2-128
Fig. 64 - Scrubbing Vacuum Fan Group	2-130
Fig. 65 - Sweeping Vacuum Fan Group	2-132
Fig. 66 - Hydraulic Schematic	2-134
Fig. 67 - Hydraulic Hose Group	2-137
Fig. 68 - Hydraulic Pump Linkage Group (000000-019999)	2-140
Fig. 69 - Hydraulic Pump Linkage Group (020000-)	2-142
Fig. 70 - Hydraulic Pumps And Filter Group	2-144

STANDARD PARTS

Contents	Page
Fig. 71 - Hydraulic Belt Drive Pump Group (000000-019999)	2-146
Fig. 72 - Hydraulic Belt Drive Pump Group (020000-)	2-148
Fig. 73 - Hydraulic Reservoir Group, Gasoline	2-150
Fig. 74 - Hydraulic Reservoir Group, LPG	2-152
Fig. 75 - Hydraulic Control Valve Group ..	2-154
Fig. 76 - Hydraulic Solenoid Valve Group ..	2-156
Fig. 77 - Electrical Schematic (000000-019999)	2-158
Fig. 78 - Electrical Schematic (020000-)	2-162
Fig. 79 - Electrical Wire Harness Group ..	2-169
Fig. 80 - Label Group	2-186

Fig. 1 - General Recommended Maintenance Items

Ref.	Part No.	Serial Number	Description	Qty.
▽	365161	(000000-019999)	Kit, Maint, 400hr [8200/8210 G] Engine	1
▲	39046	(000000-019999)	Spark Plug [Fd]	4
▲	58120	(000000-019999)	Element, Fltr, Air	1
▲	39703-2	(000000-019999)	Element, Fltr, Oil, Spin-On	8
▲	36050	(000000-019999)	Filter, Fuel, In-Line	2
▲	65221	(000000-019999)	Element, Fltr, Oil	1
▲	374516	(000000-019999)	Belt, V, [3v] 32.5l	1
▲	364047	(000000-019999)	Belt, V, 11m 28.8l	1
▲	78730	(000000-019999)	Cap, Breather, Hyd, 8.5 Ds	1
▲	31613	(000000-019999)	Strainer, Hyd, 25gpm 100mesh Psi	1
▽	9000793	(020000-)	Kit, Maint, 400hr [8200/8210 G] Engine	1
▲	372575	(020000-)	Sparkplug	4
▲	58120	(020000-)	Element, Fltr, Air	1
▲	371972	(020000-)	Filter, Oil	1
▲	372440	(020000-)	Fuel, Fltr [Gm 1.6l/3.0l]	1
▲	65221	(020000-)	Element, Fltr, Oil	1
▲	1017314	(020000-)	Belt, V, 53.15L	1
▲	78730	(020000-)	Cap, Breather, Hyd, 8.5 Ds	1
▲	31613	(020000-)	Strainer, Hyd, 25gpm 100mesh Psi	1
▽	365162	(000000-019999)	Kit, Maint, 400hr [8200/8210 Lp] Engine	1
▲	39046	(000000-019999)	Spark Plug [Fd]	4
▲	58120	(000000-019999)	Element, Fltr, Air	1
▲	39703-2	(000000-019999)	Element, Fltr, Oil, Spin-On	8
▲	65221	(000000-019999)	Element, Fltr, Oil	1
▲	374516	(000000-019999)	Belt, V, [3v] 32.5l	1
▲	364047	(000000-019999)	Belt, V, 11m 28.8l	1
▲	78730	(000000-019999)	Cap, Breather, Hyd, 8.5 Ds	1
▲	31613	(000000-019999)	Strainer, Hyd, 25gpm 100mesh Psi	1
▽	9000794	(020000-)	Kit, Maint, 400hr [8200/8210 Lp] Engine	1
▲	372575	(020000-)	Sparkplug	4
▲	58120	(020000-)	Element, Fltr, Air	1
▲	371972	(020000-)	Filter, Oil	1
▲	65221	(020000-)	Element, Fltr, Oil	1
▲	1017314	(020000-)	Belt, V, 53.15L	1
▲	78730	(020000-)	Cap, Breather, Hyd, 8.5 Ds	1
▲	31613	(020000-)	Strainer, Hyd, 25gpm 100mesh Psi	1
▽	398345	(000000-)	Kit, Maint, 800hr [8200/8210 G/Lp/D]	1
▲	360134	(000000-)	Seal	1
▲	360136	(000000-)	Flap, Recirculation	1
▲	364692	(000000-)	Skirt	1
▲	364775	(000000-)	Skirt	1
▲	364462	(000000-)	Skirt	1
▲	364516	(000000-)	Seal, Hppr,	1
▲	364960	(000000-)	Skirt	1
▲	364688	(000000-)	Seal, Dump Door	1
▲	365126	(000000-)	Filter Pkg, Dust, Panl, 97plts	1
▲	21586	(000000-)	Bumper, Sqge	1
▲	20833	(000000-)	Wheel, 3.0d 1.38w 0.50b	1

Fig. 2 - Brushes, Replacement for Max Pro 1000 (Two Brush)

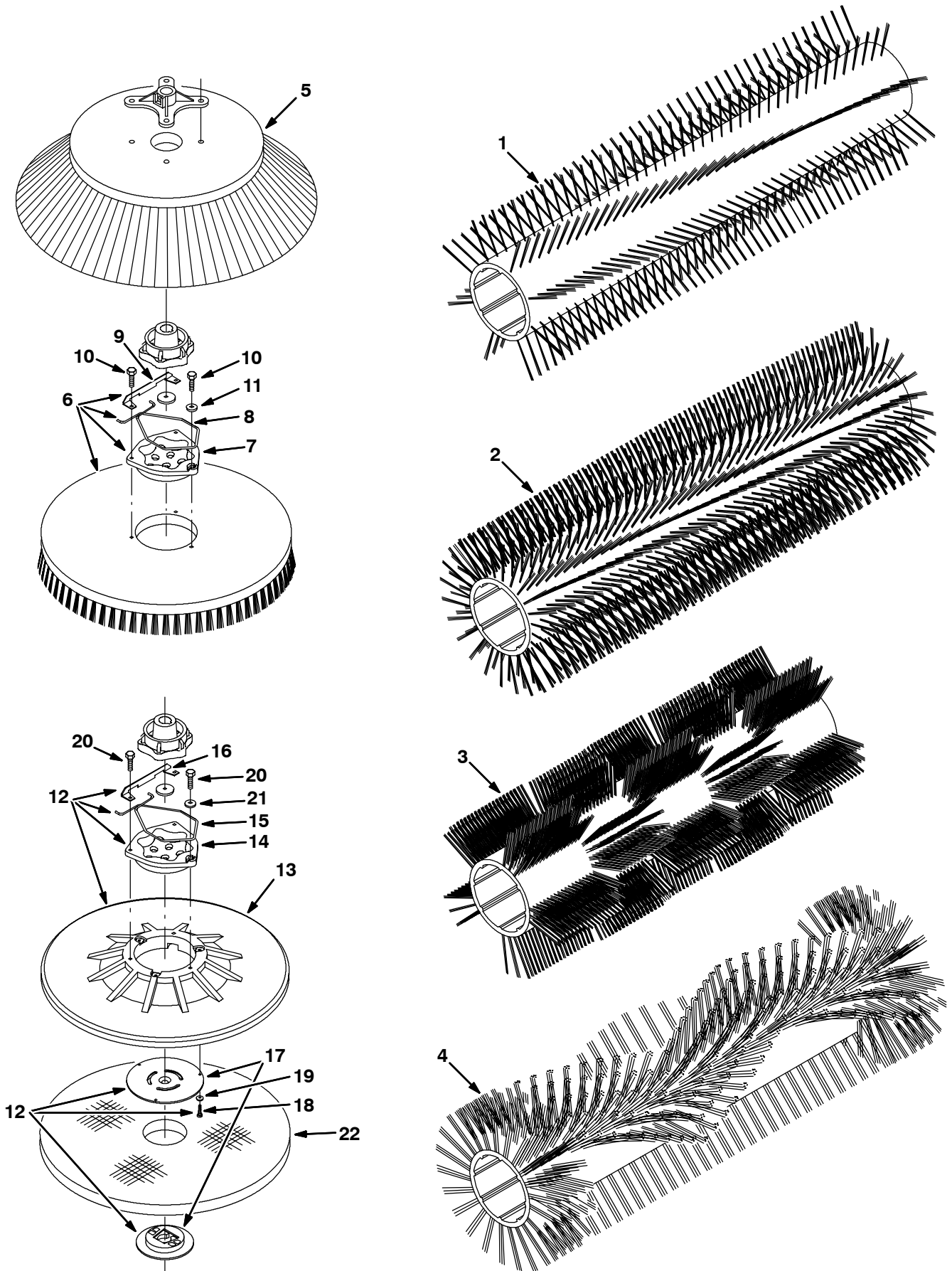


Fig. 2 - Brushes, Replacement for Max Pro 1000 (Two Brush)

Ref.	Part No.	Serial Number	Description	Qty.
1	87097	(000000-)	Brush, Sweep, 36L, P-W 8DR, Polypropylene/Wire, Spl	1
1	87099	(000000-)	Brush, Sweep, 36L, Poly 8DR, Polypropylene, Spl	1
1	87334	(000000-)	Brush, Sweep, 36L, Estr 8DR, Polyester, Spl	1
2	87333	(000000-)	Brush, Sweep, 36L, Estr 24SR, Polyester, Spl	1
3	370010	(000000-)	Brush, Sweep, 36L Window Poly	1
4	370025	(000000-)	Brush, Sweep, 36Lg Wedge Pol	1
5	08013N	(000000-)	Brush, Disk, Sweep, 24D, Nyl	1
5	59431	(000000-)	Brush, Disk, Sweep, 23D, Poly	1
5	59432	(000000-)	Brush, Disk, Sweep, 23D, Fltw	1
▽	6	378951	Brush, Disk, Scrub, 20D, S Ab	2
▲	7	15539	Adaptor	1
▲	8	14838	Spring, Brush Retaining	1
▲	9	24299	Bracket	1
▲	10	32746	Screw, Pan, M6 X 1.0 X 35, Ss	3
▲	11	01684	Washer, Flat, 0.25 Ss	1
▽	6	14953	Brush, Disk, Scrub, 20D, Poly	2
▲	7	15539	Adaptor	1
▲	8	14838	Spring, Brush Retaining	1
▲	9	24299	Bracket	1
▲	10	32746	Screw, Pan, M6 X 1.0 X 35, Ss	3
▲	11	01684	Washer, Flat, 0.25 Ss	1
▽	6	14967	Brush, Disk, Scrub, 20D, Nyl	2
▲	7	15539	Adaptor	1
▲	8	14838	Spring, Brush Retaining	1
▲	9	24299	Bracket	1
▲	10	32746	Screw, Pan, M6 X 1.0 X 35, Ss	3
▲	11	01684	Washer, Flat, 0.25 Ss	1
▽	12	370020	Driver, Pad 20D Assy	2
▲	13	370080	Back, Pad Drive W/Face 20 Dia.	1
▲	14	15539	Adaptor	1
▲	15	14838	Spring, Brush Retaining	1
▲	16	24299	Bracket	1
▲	17	370090	Centering Device, F/Pad Driver	1
▲	18	09198	Scr Panssm 4X0.7 35	3
▲	19	41579	Washer, Flat, #8, Ss	3
▲	20	32746	Screw, Pan, M6 X 1.0 X 35, Ss	3
▲	21	01684	Washer, Flat, 0.25 Ss	1
	22	17260	Pad, Polish, 20Dia, White	2
	22	17261	Pad, Buff, 20Dia, Red	2
	22	17262	Pad, Scrub, 20Dia, Blue	2
	22	17263	Pad, Strip, 20Dia, Brown	2
	22	370094	Pad, Hi Pro-Duty 20D Black	2

Fig. 3 - Brushes, Replacement for Max Pro 1200 (Three Brush)

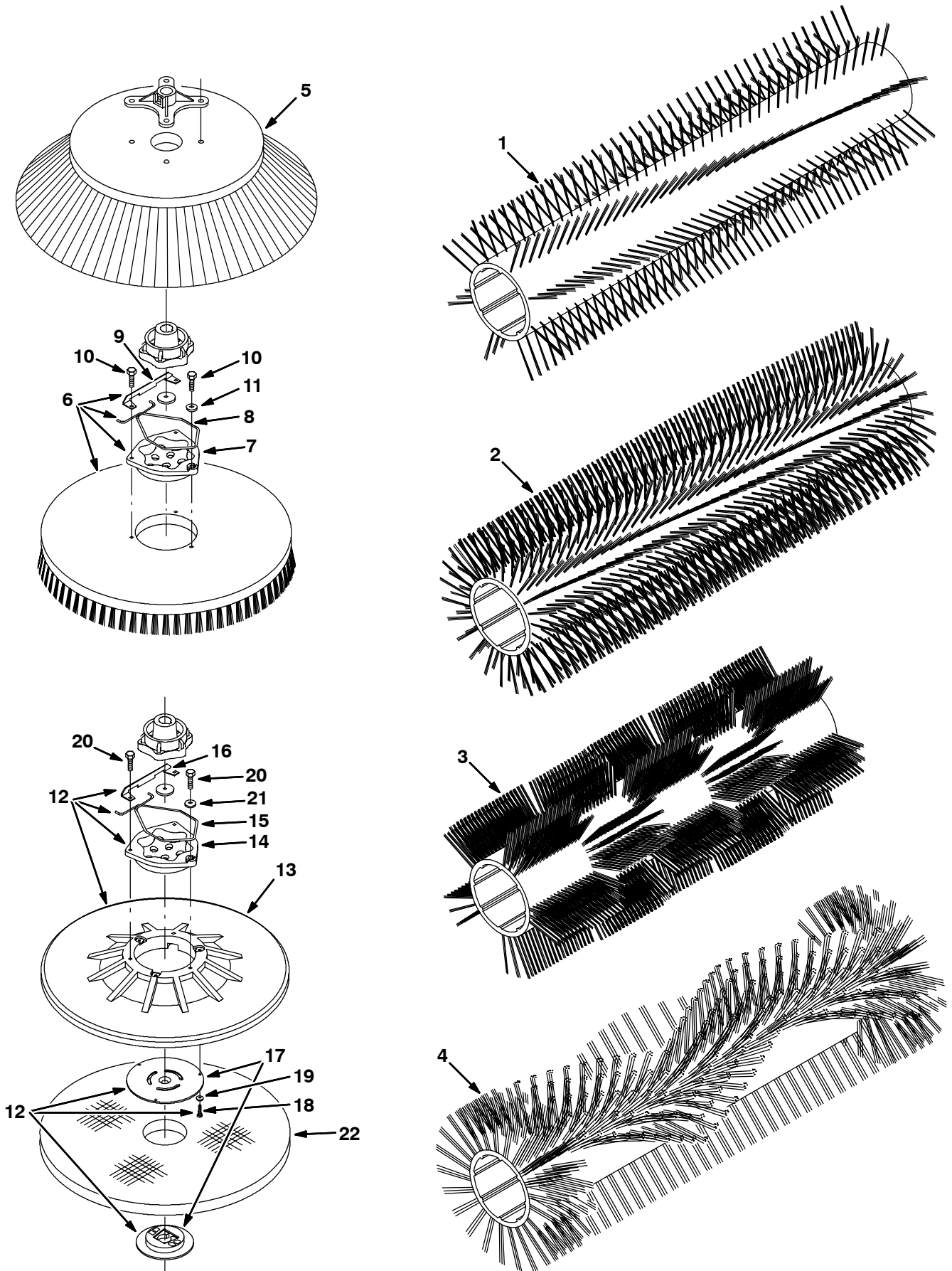


Fig. 3 - Brushes, Replacement for Max Pro 1200 (Three Brush)

Ref.	Part No.	Serial Number	Description	Qty.	
1	87097	(000000-)	Brush, Sweep, 36L, P.W 8DR, Polypropylene/Wire, Spl	1	
1	87099	(000000-)	Brush, Sweep, 36L, Poly 8DR, Polypropylene, Spl	1	
1	87334	(000000-)	Brush, Sweep, 36L, Estr 8DR, Polyester, Spl	1	
2	87333	(000000-)	Brush, Sweep, 36L, Estr 24SR, Polyester, Spl	1	
3	370010	(000000-)	Brush, Sweep, 36L Window Poly	1	
4	370025	(000000-)	Brush, Sweep, 36Lg Wedge Pol	1	
5	08013N	(000000-)	Brush, Disk, Sweep, 24D, Nyl	1	
5	59431	(000000-)	Brush, Disk, Sweep, 23D, Poly	1	
5	59432	(000000-)	Brush, Disk, Sweep, 23D, Fltw	1	
▽	6	05724	(000000-)	Brush, Disk, Scrub, 16D, Nyl	3
▲	7	15539	(000000-)	Adaptor	1
▲	8	14838	(000000-)	Spring, Brush Retaining	1
▲	9	24299	(000000-)	Bracket	1
▲	10	32746	(000000-)	Screw, Pan, M6 X 1.0 X 35, Ss	3
▲	11	01684	(000000-)	Washer, Flat, 0.25 Ss	1
▽	6	05726	(000000-)	Brush, Disk, Scrub, 16D, S Ab	3
▲	7	15539	(000000-)	Adaptor	1
▲	8	14838	(000000-)	Spring, Brush Retaining	1
▲	9	24299	(000000-)	Bracket	1
▲	10	32746	(000000-)	Screw, Pan, M6 X 1.0 X 35, Ss	3
▲	11	01684	(000000-)	Washer, Flat, 0.25 Ss	1
▽	6	30241	(000000-)	Brush, Disk, Scrub, 16D, Poly	3
▲	7	15539	(000000-)	Adaptor	1
▲	8	14838	(000000-)	Spring, Brush Retaining	1
▲	9	24299	(000000-)	Bracket	1
▲	10	32746	(000000-)	Screw, Pan, M6 X 1.0 X 35, Ss	3
▲	11	01684	(000000-)	Washer, Flat, 0.25 Ss	1
▽	12	370016	(000000-)	Driver, Pad 16D Assy	3
▲	13	370076	(000000-)	Back, Pad Drive W/Face 16 Dia.	1
▲	14	15539	(000000-)	Adaptor	1
▲	15	14838	(000000-)	Spring, Brush Retaining	1
▲	16	24299	(000000-)	Bracket	1
▲	17	370090	(000000-)	Centering Device, F/Pad Driver	1
▲	18	09198	(000000-)	Scr Panssm 4X0.7 35	3
▲	19	41579	(000000-)	Washer, Flat, #8, Ss	3
▲	20	32746	(000000-)	Screw, Pan, M6 X 1.0 X 35, Ss	3
▲	21	01684	(000000-)	Washer, Flat, 0.25 Ss	1
	22	370092	(000000-)	Pad, Hi Pro-Duty 16D Black	3
	22	63248-1	(000000-)	Pad, Strip, 16Dia, Brown	3
	22	63248-2	(000000-)	Pad, Scrub, 16Dia, Blue	3
	22	63248-3	(000000-)	Pad, Buff, 16Dia, Red	3
	22	63248-4	(000000-)	Pad, Polish, 16Dia, White	3

Fig. 4 - Main Frame Group

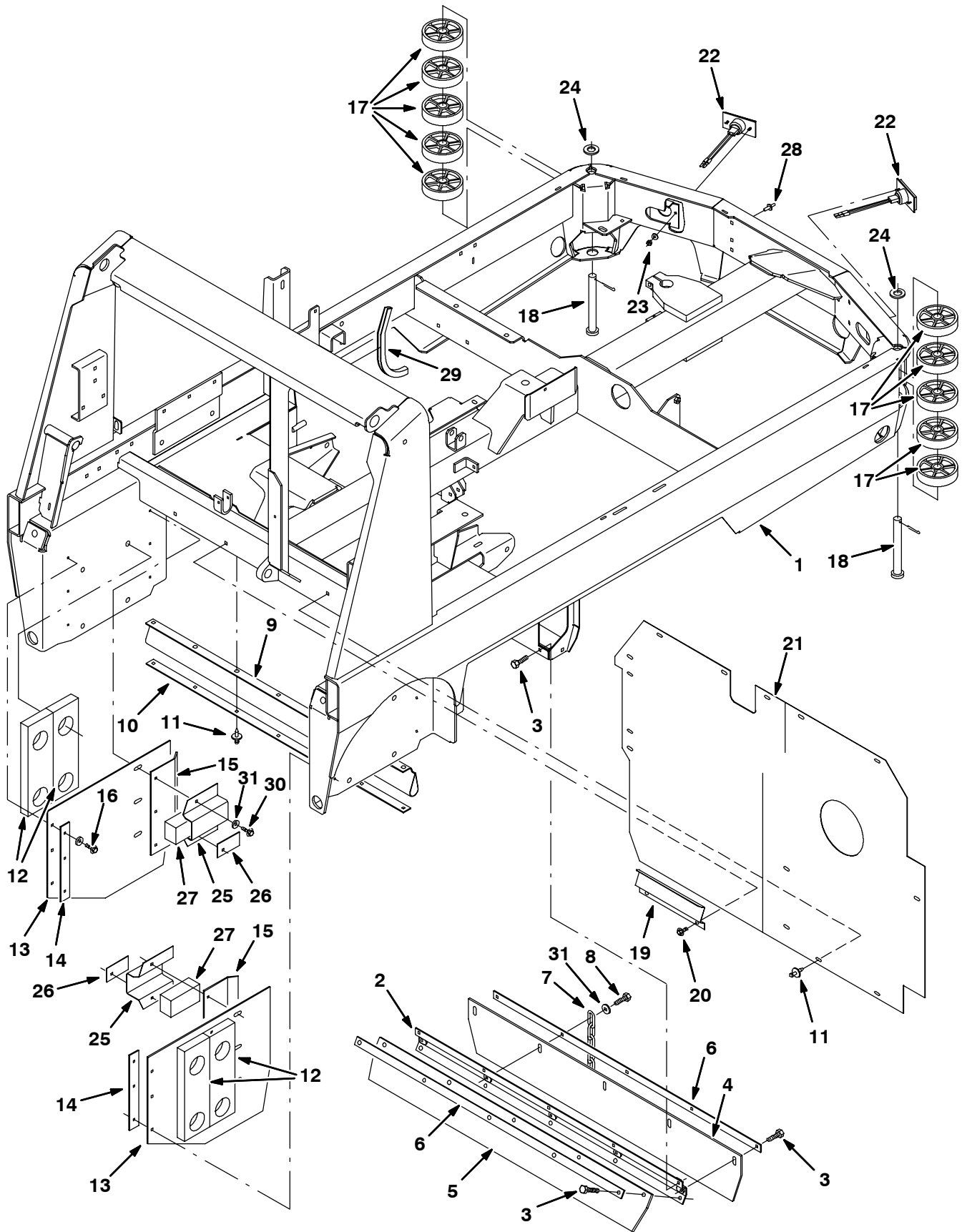


Fig. 4 - Main Frame Group

Ref.	Part No.	Serial Number	Description	Qty.	
1	1016935	(000000-) Frame Wldt, Main	1	
2	360138	(000000-) Channel, Recirculation Flap	1	
3	12273	(000000-) Screw, Hex, M08-1.25 X 20, Ss	19	
4	360134	(000000-) Seal, Wrap, Rear Brush	1	
5	360136	(000000-) Flap, Recirculation	1	
6	360137	(000000-) Strip, Retainer, Flap	2	
7	40758	(000000-) Chain, Link	1	
8	12333	(000000-) Screw, Hex, M08-1.25 X 25, Ss	1	
9	87181	(000000-) Seal, Top,Hopper	1	
10	87180	(000000-) Retainer	1	
11	72968	(000000-) Rivet, Plstc	21	
12	364713	(000000-) Seal, Foam	4	
13	364714	(000000-) Seal, Hopper Side	2	
14	364715	(000000-) Bar, Retainer Seal	2	
15	364888	(000000-) Plate, Retainer, Seal	2	
16	222159	(000000-) Screw, Hex, Fmg, M06-1.0 X 25	8	
17	364085	(000000-) Wheel, Wall Roller	10	
18	51414	(000000-) Pin, Clevis	2	
19	364875	(000000-) Strip, Retainer, Lintel Seal	1	
20	12459	(000000-) Screw, Hex, Fmg, M06-1.0 X 20	2	
21	364930	(000000-) Seal, Lintel	1	
▽	22	87346	(000000-) Light Assy Tail	2
▲		87948	(000000-) Lamp	1
▲		87949	(000000-) Lampholder	1
23	01713	(000000-) Nut, Hex, Std, #10-32, 2	4	
24	39350	(000000-) Washer, Flat, .75 Sae	2	
25	365158	(000000-) Wrap, Seal	2	
26	365159	(000000-) Strip, Retainer	2	
27	365060	(000000-) Seal, Urethane Covered Foam	2	
28	365252	(000000-) Rivet, Plastic	16	
29	31775	(000000-) Molding, Trim, .08-.11 04.00	1	
30	76099	(000000-) Screw, Hex, M8 X 1.25 X 25, Fmg	4	
31	32491	(000000-) Washer, Flat, 0.31 Std	5	

Fig. 5 - Brush Doors Group

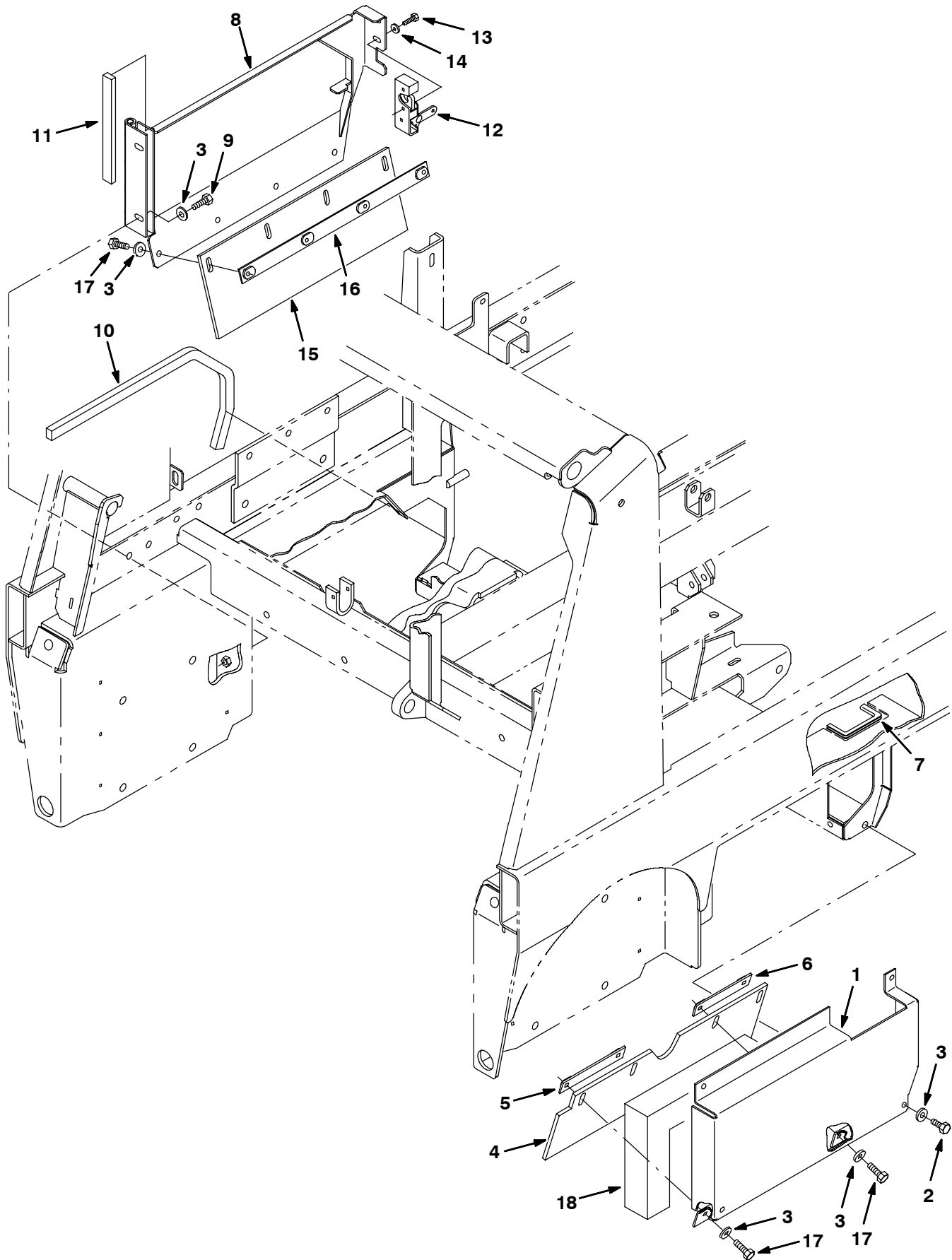


Fig. 5 - Brush Doors Group

Ref.	Part No.	Serial Number	Description	Qty.
1	364691	(000000-) Panel, Door, Brush, Lh	1
2	15675	(000000-) Screw, Hex, M08-1.25 X 16, Ss	4
3	01685	(000000-) Washer, Flat, .31 Ss	14
4	364692	(000000-) Skirt, Door, Brush, Lh	1
5	364710	(000000-) Bar, Retaining, Skirt	1
6	364711	(000000-) Bar, Retaining, Skirt	1
7	62595-6	(000000-) Molding, Trim 11-14Ga 7.50	1
8	364774	(000000-) Door Wldt, Brush, Rh H Door	1
9	09740	(000000-) Screw, Hex, M08-1.25 X 20, Ss	2
10	32261	(000000-) Seal, Ure.50X.75X24.0L	1
11	365071	(000000-) Seal, Rubber .50 X 1.00 X 8.0L	1
12	59661	(000000-) Latch	1
13	24672	(000000-) Screw, Hex, .25-20 X 0.75, Ss	2
14	01684	(000000-) Washer, Flat, .25 Ss	2
15	364775	(000000-) Skirt, Brush Door, Rh	1
16	364776	(000000-) Strip, Retainer, Skirt, Rh Doo	1
17	12273	(000000-) Screw, Hex, M08-1.25 X 20, Ss	8
18	365063	(000000-) Seal, Urethane Covered Foam	1

Fig. 6 - Operator Station Group

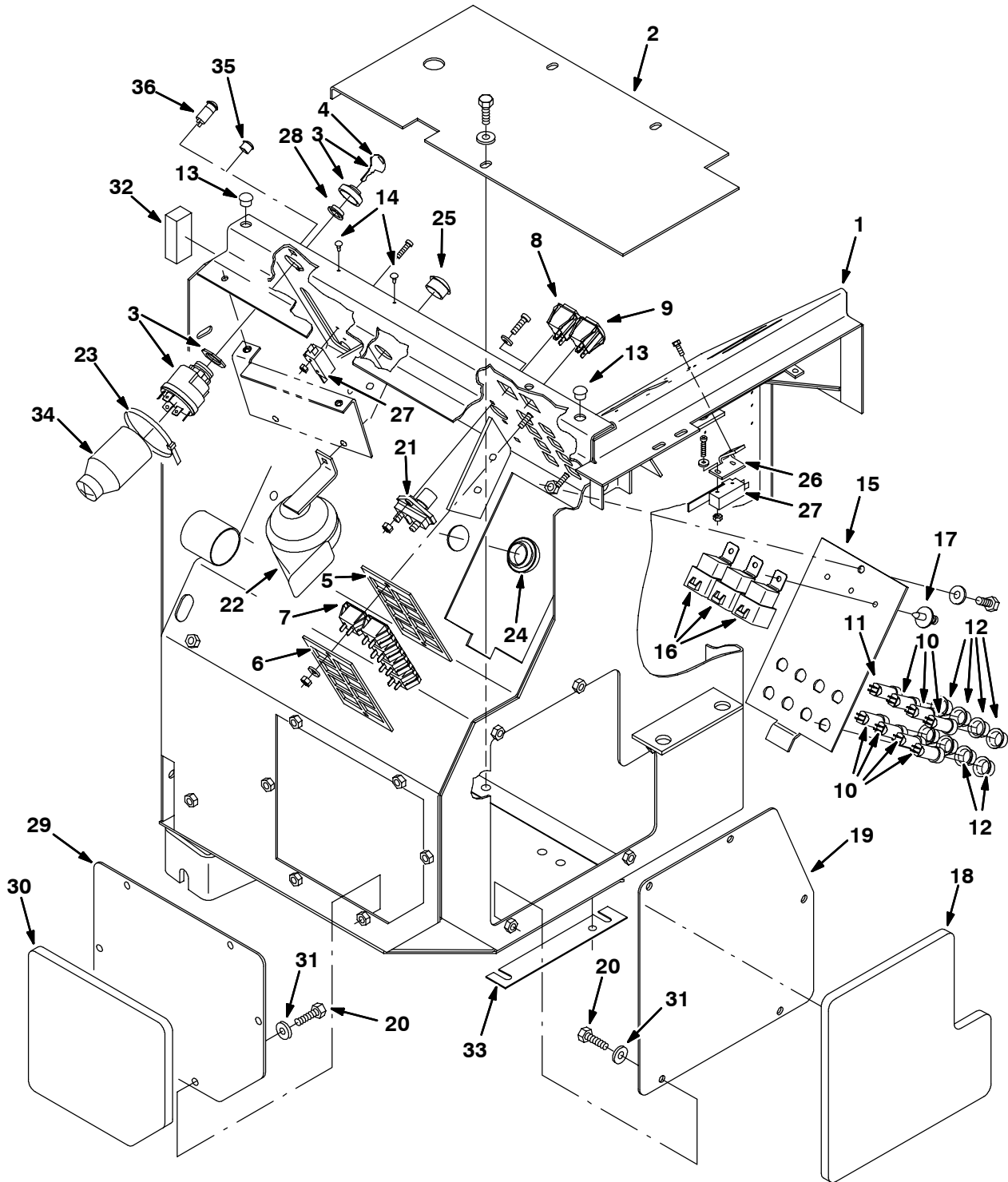


Fig. 6 - Operator Station Group

Ref.	Part No.	Serial Number	Description	Qty.	
1	365388	(000000-) Operator Station, 8200 G/LP (includes insulation)	1	
2	364275	(000000-) Plate, Floor, Cover	1	
▽	3	87536	(000000-) Switch Ignition	1
▲	4	87866	(000000-) Key, Switch, Set Of Two	1
5	361072	(000000-) Seal, Foam	1	
6	360773	(000000-) Plate, Mounting, Light	1	
7	361075	(000000-) Lamp, Indicator 12 Volt	5	
8	360521	(000000-) Switch, Rocker, Spdt, 2 Pos	1	
9	360520	(000000-) Switch, Rocker, Spdt, 3Pos	1	
10	57803	(000000-) Circuitbreaker	7	
11	27920	(000000-) Circuit Breaker 5A	1	
12	57751	(000000-) Boot	8	
13	56992	(000000-) Button, Plug	2	
14	02731	(000000-) Rivet, Plstc	2	
15	364304	(000000-) Panel, Access, Door	1	
16	56186	(000000-) Relay, 12V	3	
17	72970	(000000-) Rivet, Plstc	3	
18	364969	(000000-) Insulation, S/Foam, Door	1	
19	364968	(000000-) Panel, Access, Door	1	
20	16735	(000000-) Screw, Hex, M08 X 1.25 X 16, 8.8	10	
21	44078	(000000-) Switch, Pushmom, Spst100A 12V	1	
22	369704	(000000-) Horn	1	
23	49263	(000000-) Tie, Cable, Nyl, 11.4l .19w 3.0 Max D	1	
24	50967	(000000-) Button, Plug	1	
25	01493	(000000-) Button, Plug	1	
26	365077	(000000-) Bracket, Switch Mount	1	
27	1008147	(000000-) Switch, Snap Actn, 250VDC 20A Dpdt	2	
28	382516	(000000-) Boot, Switch	1	
29	365386	(006235-020070) Panel, Access, Door, Front	1	
29	1022199	(020071-) Panel, Access Door, [8210/8200]	1	
30	365387	(006235-020070) Insulation, Acstc, Door, Front	1	
30	1022211	(020071-) Insulation, Acstc, 0.5, 12.3 X 8.2 Cham	1	
31	32491	(000000-) Washer, Flt, .31 Std	10	
32	365297	(000000-) Seal, Rbr, Open, 0.75th, 1.00w 02.5l	1	
33	365171	(000000-) Plate, Spacer	1	
34	383165	(000000-) Boot, Switch, Ignition	1	
35	56992	(000000-019999) Button, Plug, 0.50h .03-.12 [Black Nyl]	1	
36	1012185	(020000-) Light, Check Eng, Amb, 14vdc	1	

Fig. 7 - Operator Station Insulation Group

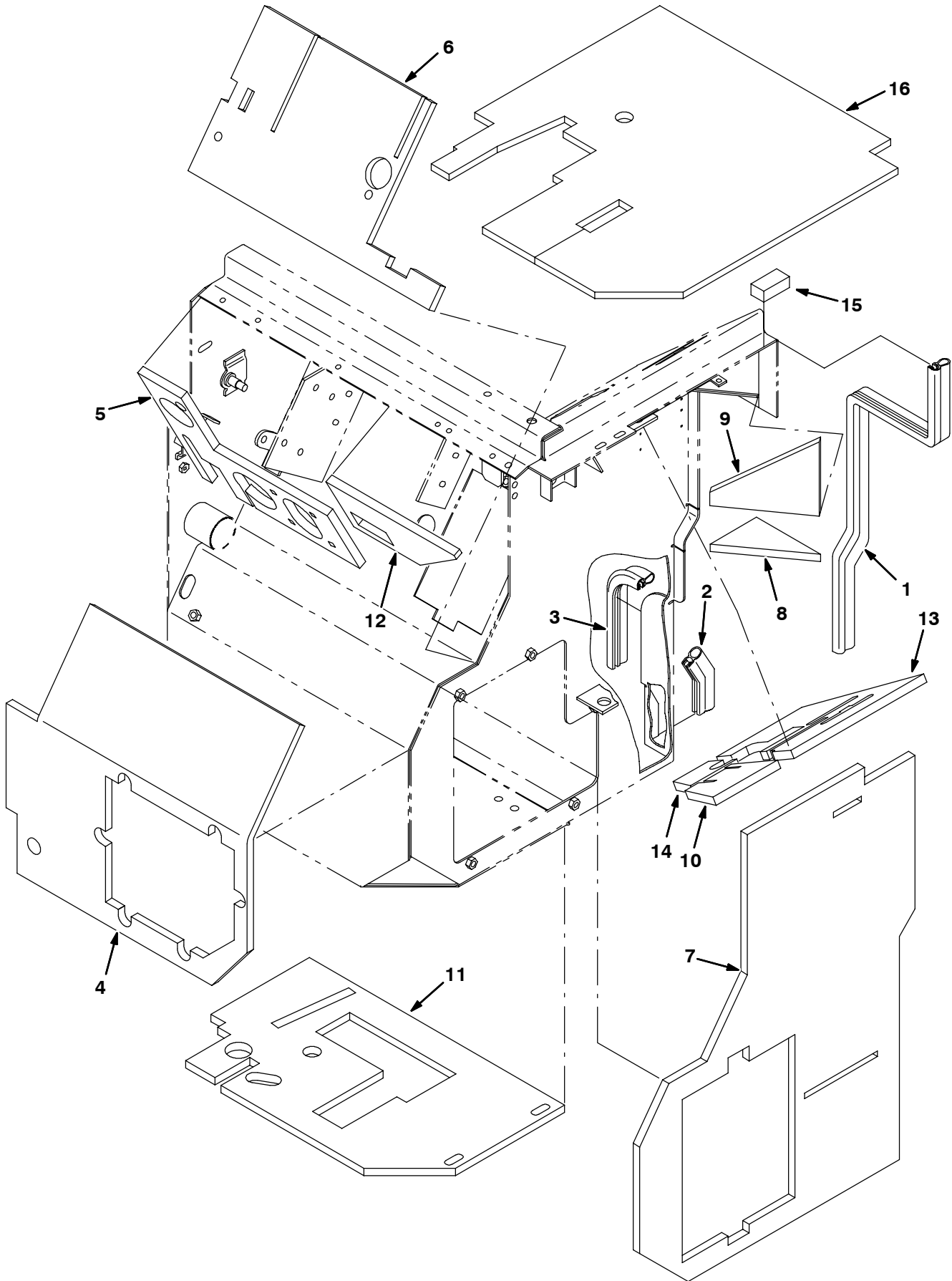


Fig. 7 - Operator Station Insulation Group

Ref.	Part No.	Serial Number	Description	Qty.
1	364610	(000000-) Seal, Bulb, Sd-504 27.0	1
2	364837	(000000-) Seal, Bulb, Sd-168 4.0	1
3	364928	(000000-) Seal, Bulb, Sd-504 8.5	1
4	365392	(000000-020070) Insulation, S/Foam, Front	1
4	1022213	(020071-) Insulation, Acstc, 0.5, 18.8 X 17.9 C-O	1
5	364817	(000000-) Insulation, S/Foam, Front	1
6	364819	(000000-) Insulation, S/Foam, Front	1
7	364818	(000000-) Insulation, S/Foam, Side	1
8	364820	(000000-) Insulation, S/Foam, Side	1
9	364821	(000000-) Insulation, S/Foam, Side	1
10	364839	(000000-) Insulation, S/Foam, Panel	1
11	364838	(000000-) Insulation, S/Foam, Floor	1
12	364842	(000000-) Insulation, S/Foam, Front	1
13	364822	(000000-) Insulation, S/Foam, Panel	1
14	364823	(000000-) Insulation, S/Foam, Panel	1
15	364965	(000000-) Seal, Cover	1
16	365054	(000000-) Floormat	1

Fig. 8 - Instrument Panel Assembly

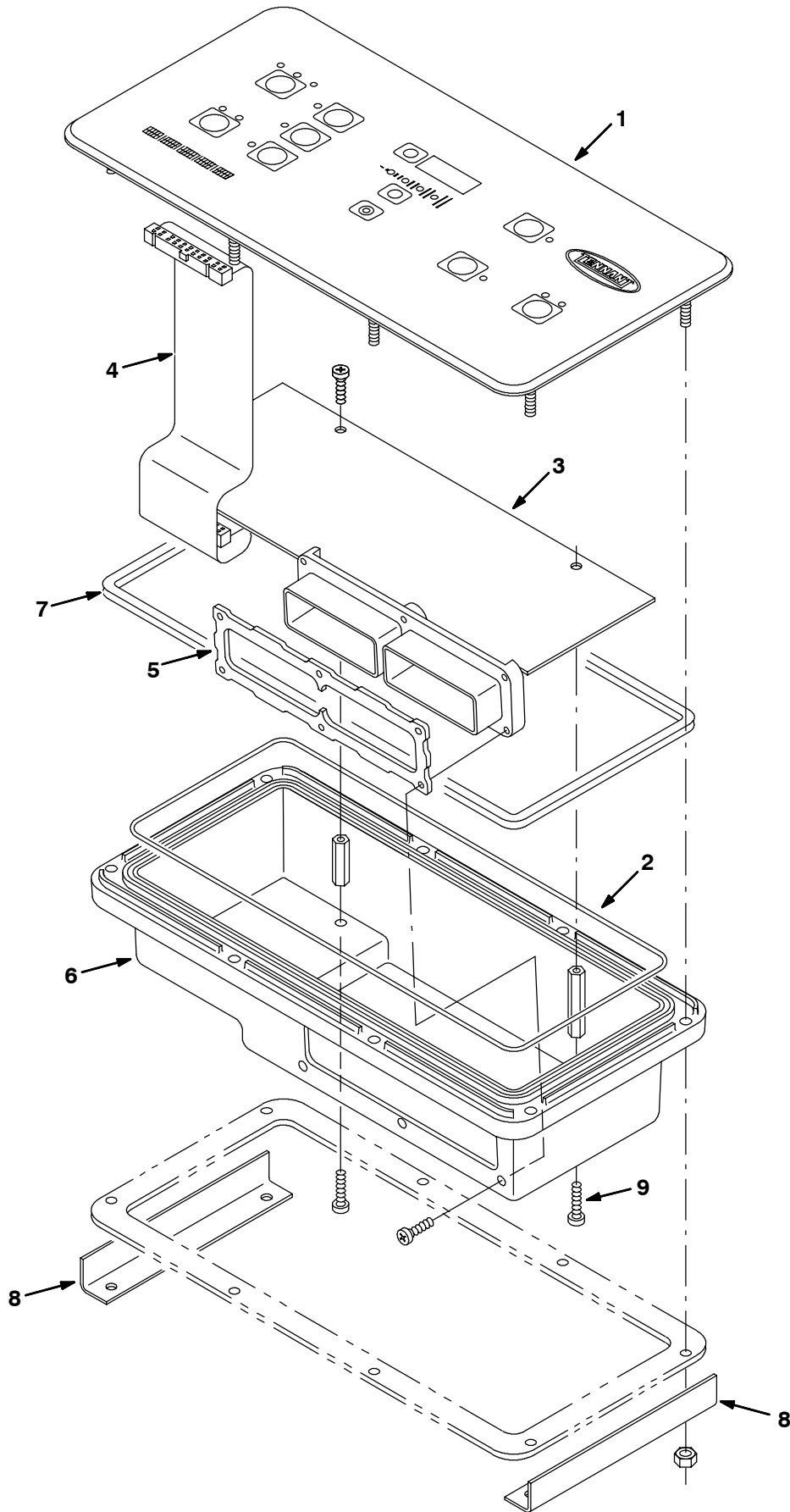


Fig. 8 - Instrument Panel Assembly

	Ref.	Part No.	Serial Number	Description	Qty.
▽		364310	(000000-) Panel Assy, Touch, 8200 L	1
▲	1	370172	(000000-) Panel Replc. Kit, Touch, 8200 L	1
▲	2	73219	(000000-) Seal, O-Ring Non-Std .070X8.19	1
▲	3	370171	(000000-) Controller Replc. Kit, 8200 L	1
▲	4	364940	(000000-) Cable, Ribbon, Ele, 34 Pin	1
▲	5	364943	(000000-) Seal, Connector, 60 Pin	1
▲	6	364291	(000000-) Box, Instrument	1
▲	7	365215	(000000-) Seal, Panl, Cntrl	1
▲	8	364292	(000000-) Bracket, L	2
▲	9	364942	(000000-) Scr-pan 08-32x0.50 Tamper	2

Fig. 9 - Seat Group

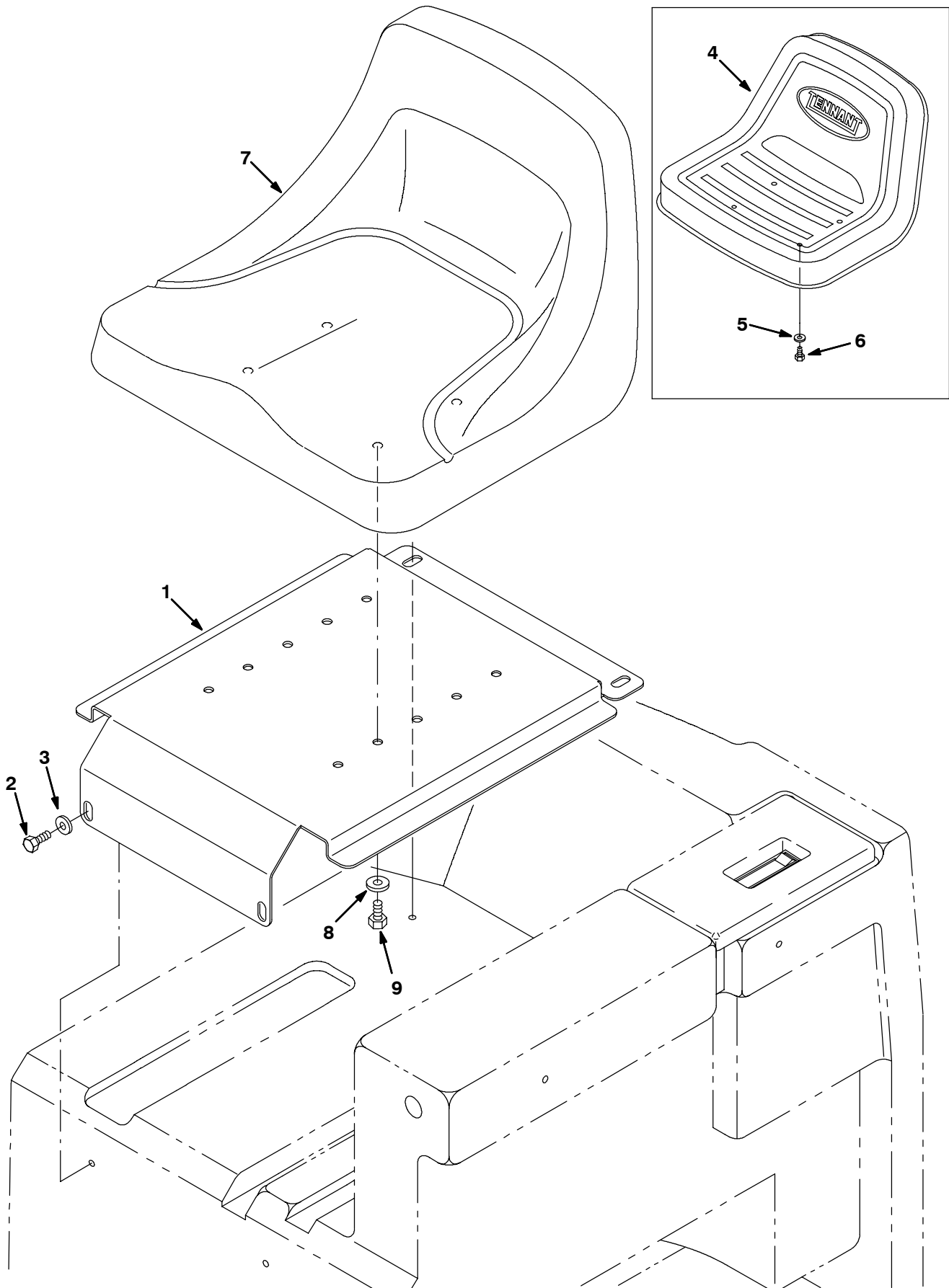


Fig. 9 - Seat Group

Ref.	Part No.	Serial Number	Description	Qty.
1	364439	(000000-) Plate, Mounting Seat	1
2	15675	(000000-) Screw, Hex, M08-1.25 X 16, Ss	4
3	01685	(000000-) Washer, Flat, .31 Ss	4
4	375408	(000000-006436) Seat	1
5	01686	(000000-006436) Washer, Flat, .38 Ss	4
6	42384	(000000-006436) Screw, Hex, .38-16 X 0.62, Ss	4
7	375411	(006437-) Seat, Michigan, Model V-1500	1
8	39349	(006437-) Washer, Flt, .31 Sae	4
9	54396	(006437-) Screw, Hex, .31-18 X 0.75, 5	4

Fig. 10 - Steering Wheel Group

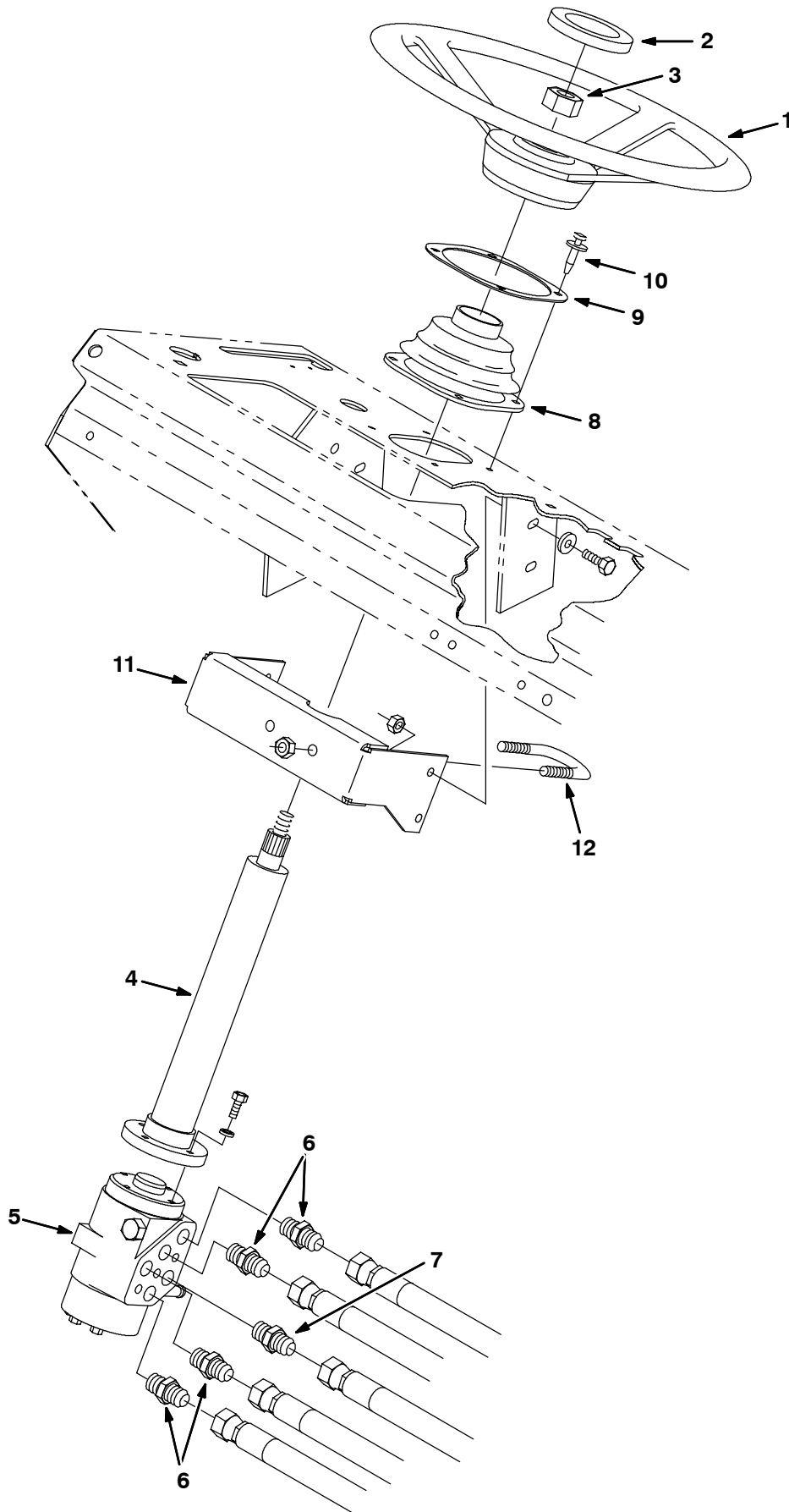


Fig. 10 - Steering Wheel Group

	Ref.	Part No.	Serial Number	Description	Qty.
▽	1	56398	(000000-) Wheel Steering 14DiAx36T	1
▲	2	70218	(000000-) Cap, Steering Wheel	1
▲		70219	(000000-) Insert, Wheel, Steering	1
	3	56185	(000000-) Nut, Hex, Jam, M20 X 1.5 X 4	1
	4	73061	(000000-) Column, Steering	1
	5	73093	(000000-) Steering Control, Hyd (See Breakdowns)	1
	6	56690	(000000-) Fitting, Hyd, Str	4
	7	55685	(000000-) Fitting, Hyd, Str	1
	8	70622	(000000-) Seal, Boot, Steering Column	1
	9	360867	(000000-) Plate, Mtg	1
	10	72970	(000000-) Rivet, Plstc	4
	11	364277	(000000-) Bracket, Mtg, Steering	1
	12	58748	(000000-) Bolt, U	1

Fig. 11 - Engine Side Door Group

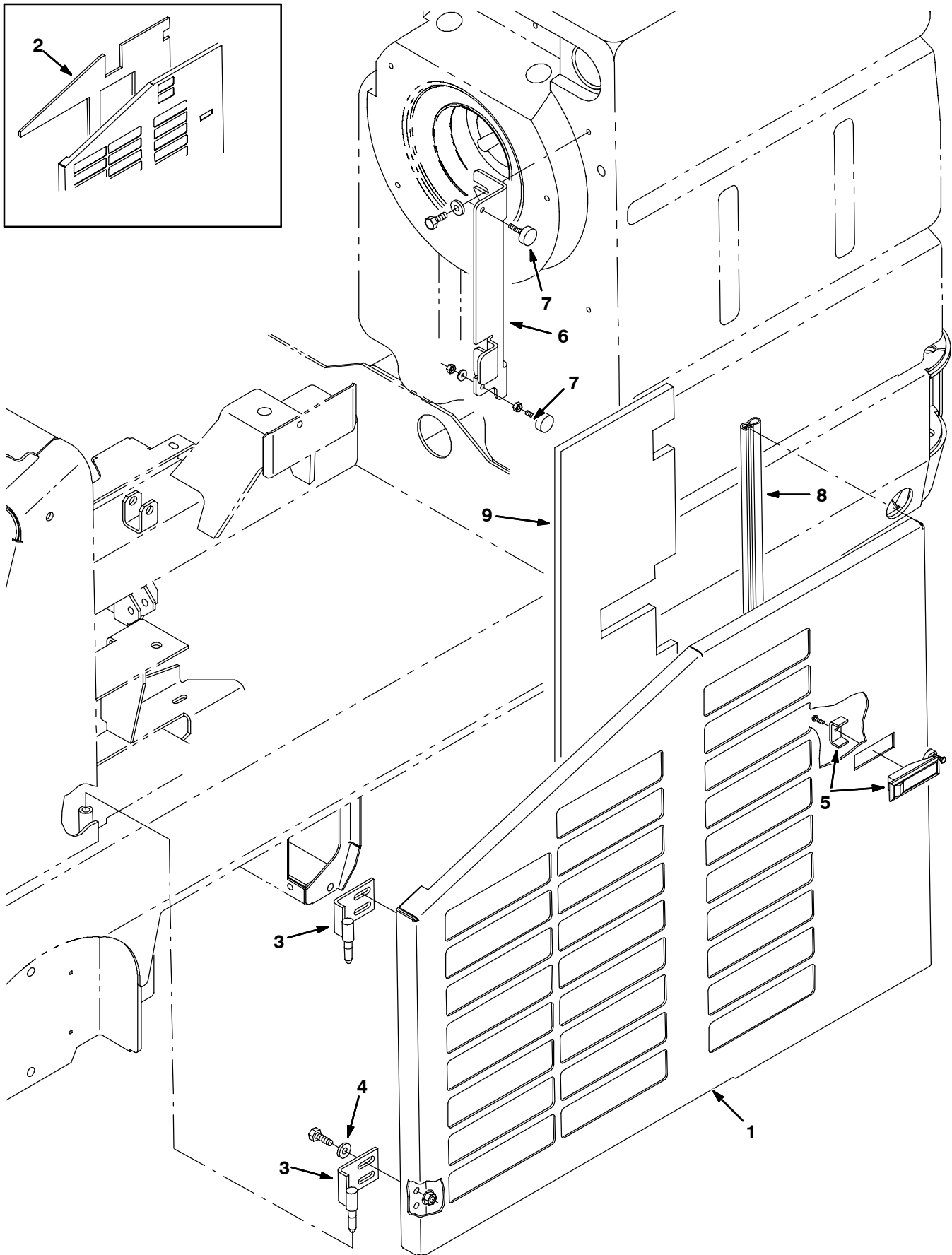


Fig. 11 - Engine Side Door Group

Ref.	Part No.	Serial Number	Description	Qty.
1	1016752	(000000-) Door, Engine, Side, Lh	1
2	365350	(000000-019999) Insulation, S/Foam, Door	1
3	71931	(000000-) Bracket	2
4	41186	(000000-) Washer, Belleville, .31	4
5	64533	(000000-) Latch, Trigger	1
6	364517	(000000-006708) Bracket, Mtg, Side Door	1
6	369767	(006709-) Bracket, Door, Side	1
7	20802	(000000-) Bumper, Rubber	2
8	365023	(000000-) Seal, Bulb, Sd-504 29.0	1
9	1017646	(020000-) Insulation, S/Foam, Door	1

Fig. 12 - Engine Cover Group

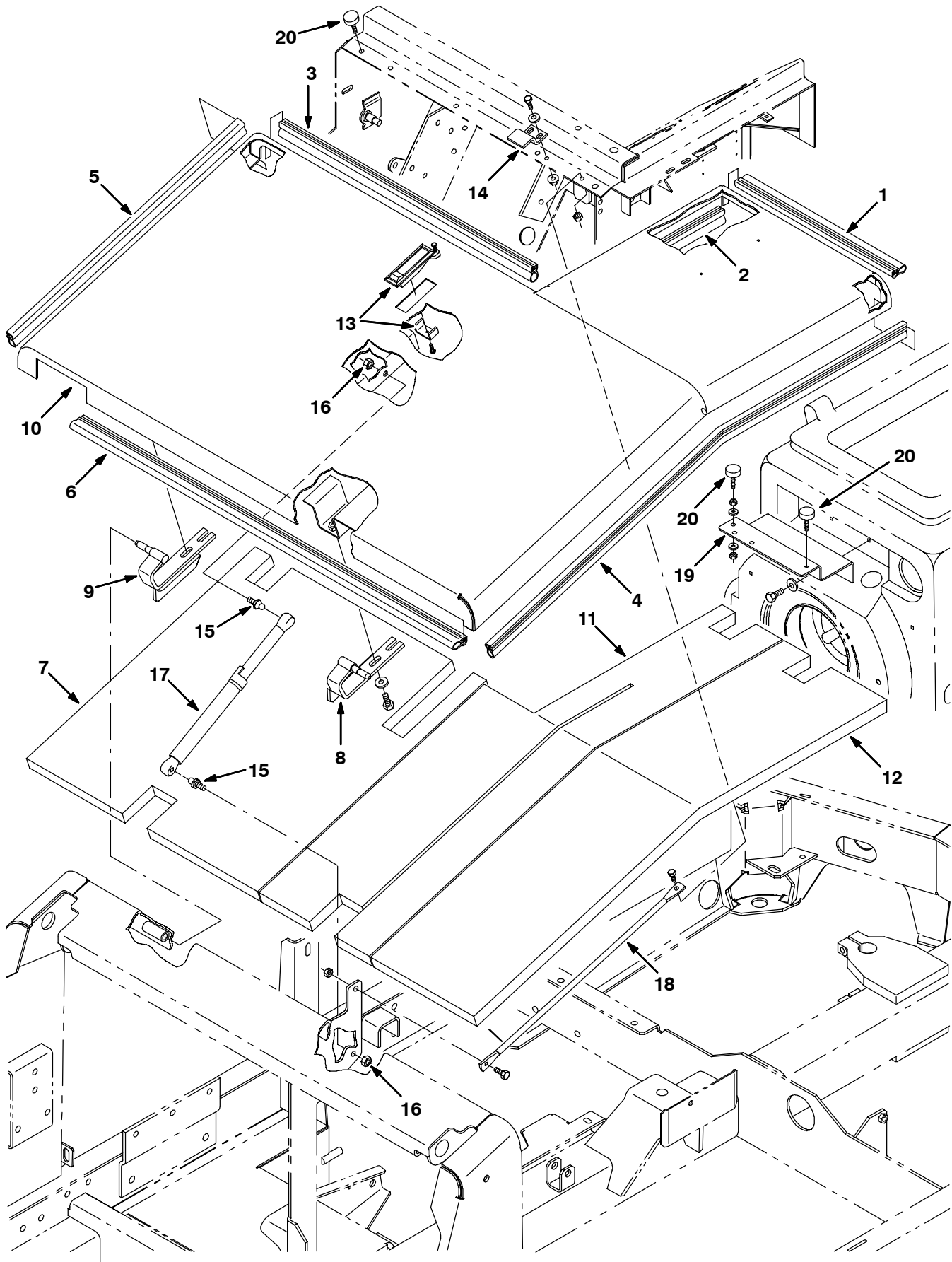


Fig. 12 - Engine Cover Group

Ref.	Part No.	Serial Number	Description	Qty.
1	364693	(000000-) Seal, Bulb, Sd-504 15.10, Co	1
2	364608	(000000-) Seal, Bulb, Sd-168 17.58 Cov	1
3	364609	(000000-) Seal, Bulb, Sd-168 24.18, Co	1
4	364695	(000000-) Seal, Bulb, Sd-504 40.7, Cov	1
5	364694	(000000-) Seal, Bulb, Sd-504 23.00, Co	1
6	364696	(000000-) Seal, Bulb, Sd-504 36.5, Cov	1
7	364701	(000000-) Insulation, S/Foam, Cover	1
8	364294	(000000-) Bracket Wldt, Hinge, Lh	1
9	364295	(000000-) Bracket Wldt, Hinge, Rh	1
10	364301	(000000-) Cover Assy, Top, Engine	1
11	364708	(000000-) Insulation, S/Foam, Cover	1
12	364709	(000000-) Insulation, S/Foam, Cover	1
13	365366	(000000-006054) Repl. Kit, Latch	1
13	365214	(006055-019999) Latch, Trigger	1
13	64533	(020000-) Latch, Trigger	1
14	364926	(000000-) Bracket, Keeper	1
15	58494	(000000-) Stud, Ball, Gas Spring	2
16	01760	(000000-) Nut, Hex, Lock, .31-18, NI	2
17	77728	(000000-) Spring, Gas (130 lb)	1
18	364791	(000000-) Rod, Support	1
19	364302	(000000-) Bracket, Support, Cover	1
20	20802	(000000-) Bumper, Rubber	3

Fig. 13 - Engine Radiator Grille Group

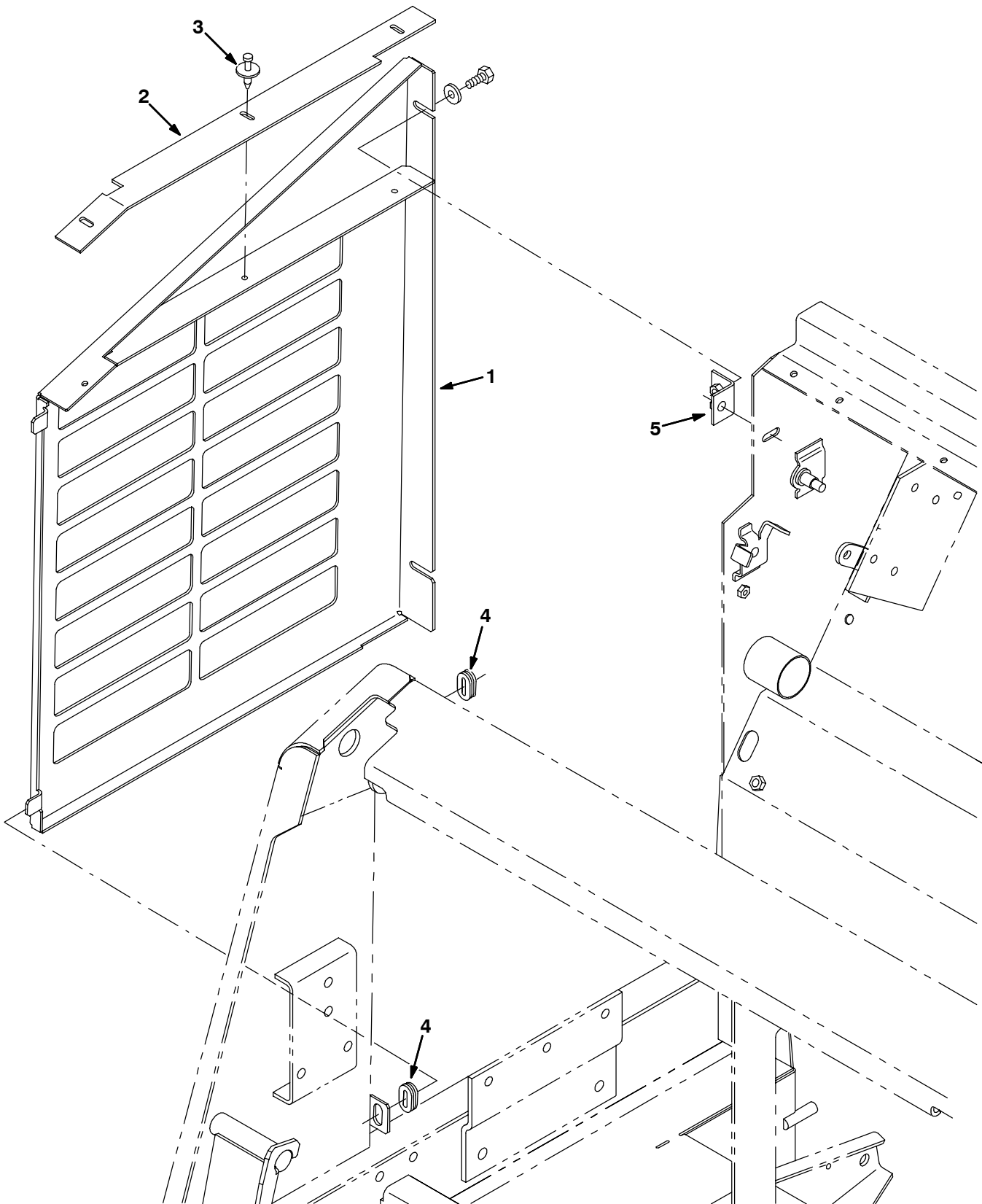


Fig. 13 - Engine Radiator Grille Group

Ref.	Part No.	Serial Number	Description	Qty.
1	364874	(000000-) Door Wldt, Side, Rh	1
2	364869	(000000-) Seal, Side Door, Upper	1
3	72968	(000000-) Rivet, Plstc	3
4	10632-2	(000000-) Grommet, Rubber	2
5	364546	(000000-) Bracket, Mtg	1

Fig. 14 - Engine Group, Gasoline & LPG (000000-019999)

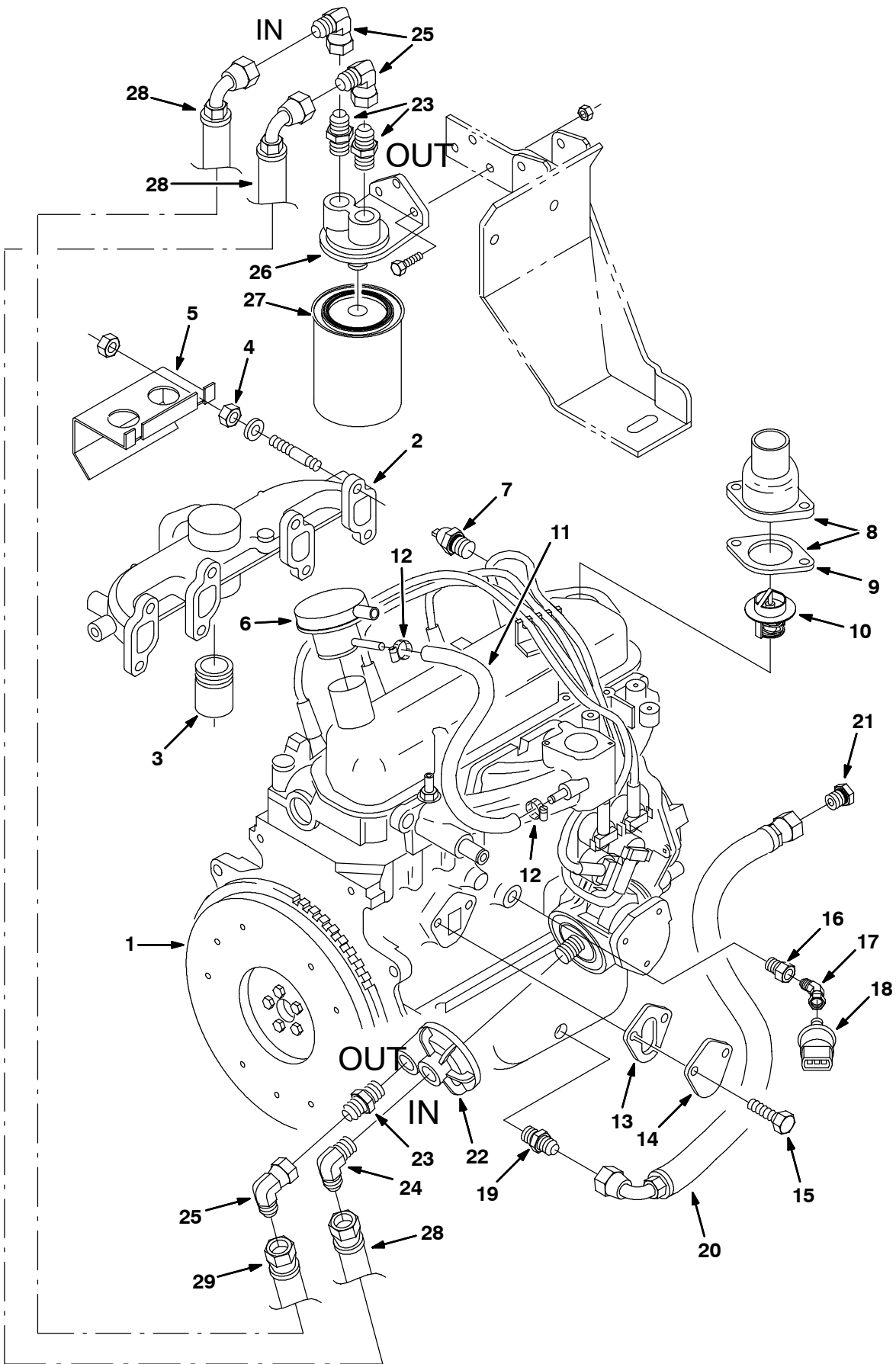


Fig. 14 - Engine Group, Gasoline & LPG (000000-019999)

Ref.	Part No.	Serial Number	Description	Qty.	
1	30550	(000000-019999)	Engine Assy, Vsg-413 (See Ford Engine Breakdown)	1	
2	30316	(000000-019999)	Manifold, Exhaust	1	
3	24013	(000000-019999)	Fitting, Pipe	1	
4	08165	(000000-019999)	Nut, Hex, Stover, M08-1.25	8	
5	30468	(000000-019999)	Shield Exhaust	1	
6	10795	(000000-019999)	Cap, Fill, Oil/PCV breather	1	
7	58592	(000000-019999)	Sender-Temperature, Water	1	
▽	8	19689	(000000-019999)	Housing, Thermostat With Gasket	1
▲	9	54911-25	(000000-019999)	Gasket	1
10	37327	(000000-019999)	Thermostat, 180 Deg	1	
11	76589-2	(000000-019999)	Hose, Rubber	1	
12	43844	(000000-019999)	Clamp, Wormdrive	2	
13	02887	(000000-019999)	Gasket	1	
14	71446	(000000-019999)	Cover, Fuel Pump	1	
15	71447	(000000-019999)	Bolt	2	
16	17414	(000000-019999)	Fitting, Hyd, Str	1	
17	32376	(000000-019999)	Fitting, Hyd, Elbow	1	
18	79399	(000000-019999)	Switch, Pressure Oil	1	
19	19200	(000000-019999)	Fitting, Hyd, Str	1	
20	57486	(000000-019999)	Hose, Hyd, Low06, Jf06Str/Jf06E90, 32.0	1	
21	19747	(000000-019999)	Fitting, Hyd, Plug	1	
22	364971	(000000-019999)	Adaptor,Engine, Remote Oil Fil	1	
23	15687	(000000-019999)	Fitting, Hyd, Str	3	
24	51869	(000000-019999)	Fitting, Hyd, Elbow	1	
25	17980	(000000-019999)	Fitting, Hyd, Elbow	3	
26	364972	(000000-019999)	Bracket, Mount, Remote Oil Fil	1	
27	39703-2	(000000-019999)	Element, Filter, Oil	1	
28	71557	(000000-019999)	Hose, Hyd	2	

STANDARD PARTS

Fig. 15 - Engine Mount Group, Gasoline & LPG (000000-019999)

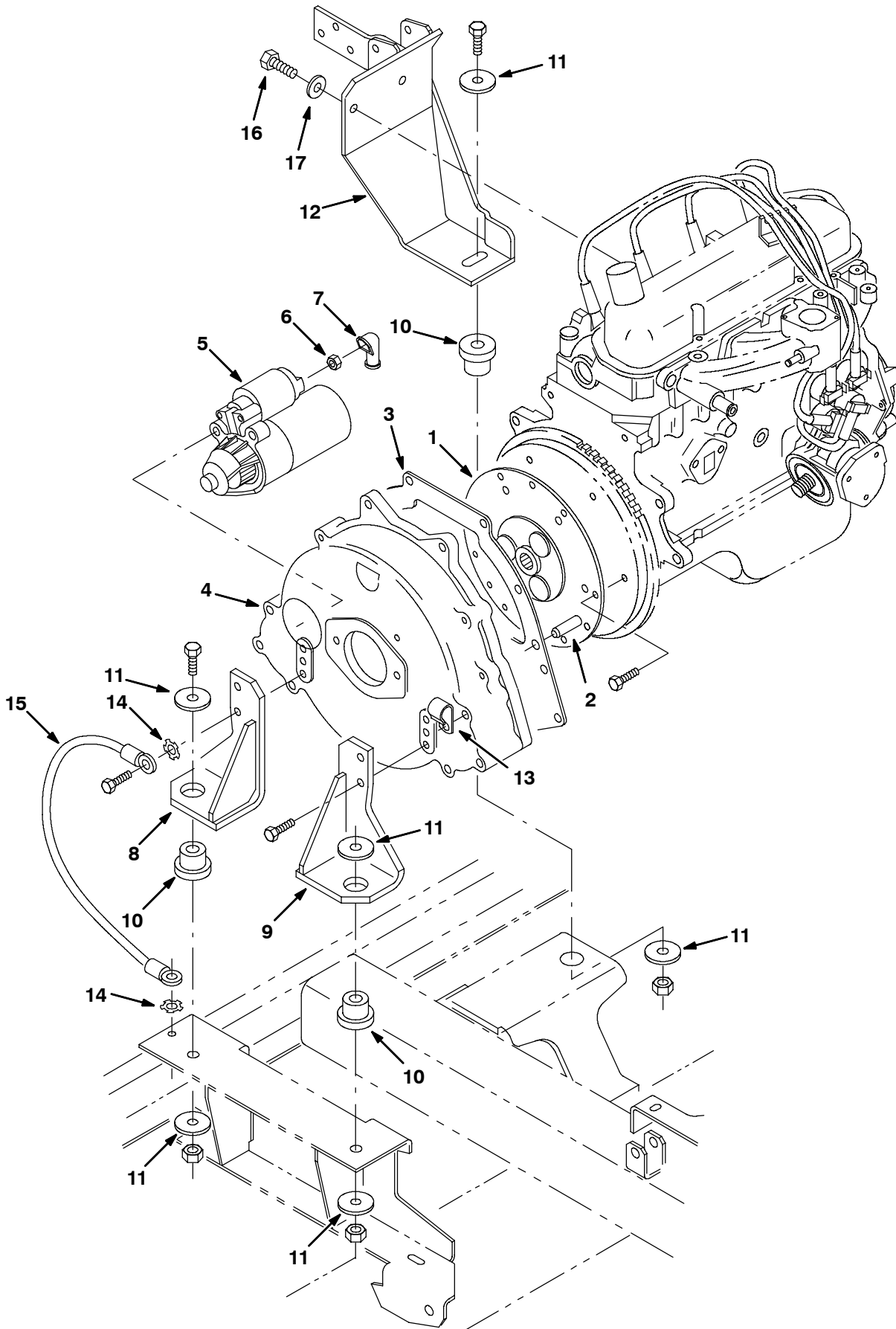


Fig. 15 - Engine Mount Group, Gasoline & LPG (000000-019999)

Ref.	Part No.	Serial Number	Description	Qty.
1	19252	(000000-019999)	Coupling, Flywheel	1
2	54911-16	(000000-019999)	Dowel,Cyl.Block To Flywhl.Hsg.	2
3	364521	(000000-019999)	Ring, Locating, Starter, Lh	1
4	70263	(000000-019999)	Housing, Flywheel	1
5	364509	(000000-019999)	Starter, Lh	1
6	41361	(000000-019999)	Nut, Hex, Std, M08-1.25, Brs	1
7	02076	(000000-019999)	Boot	1
8	57755	(000000-019999)	Bracket, Mtg	1
9	57754	(000000-019999)	Bracket, Mtg	1
10	51176	(000000-019999)	Dampener, Engine	3
11	04414	(000000-019999)	Washer	6
12	364026	(000000-006203)	Bracket Wldt, Engine, Gas (Repl by 393311)	1
12	393309	(006204-019999)	Bracket Wldt, Engine, Gas	1
13	30407	(000000-019999)	Clip	1
14	41142	(000000-019999)	Washer, Lock, Int-Ext, .38	2
15	57773	(000000-019999)	Wire Ass'Y-Elect.,Ground	1
16	39283	(000000-019999)	Screw, Hex, M10 X 1.50 X 25, 8.8	2
17	32492	(000000-019999)	Washer, Flat, 0.38, Std	2

Fig. 16 - Engine Group, Gasoline (020000-)

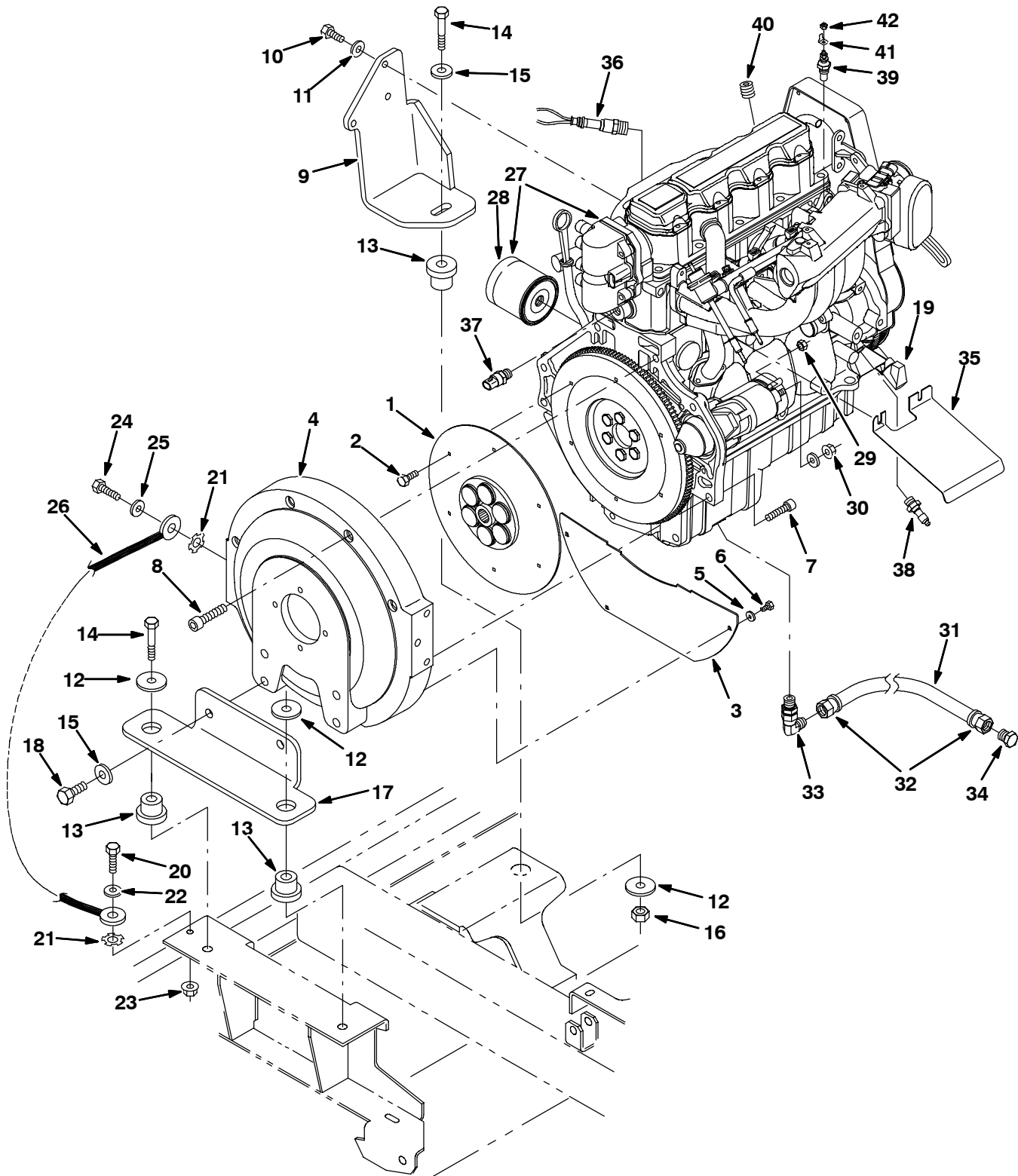


Fig. 16 - Engine Group, Gasoline (020000-)

Ref.	Part No.	Serial Number	Description	Qty.
1	371866	(020000-) Coupling, Drive, 13t	1
2	372554	(020000-) Screw, Hex, M7-1.0 X 23.0, 8.8	6
3	371868	(020000-) Cover, Hsng, Flywheel	1
4	371869	(020000-) Housing, Pump	1
5	32490	(020000-) Washer, Flat, 0.25 Std	4
6	19315	(020000-) Screw, Hex, .25-20 X 0.50, 5	4
7	10832	(020000-) Screw, Soc, .38-16 X 1.50, Al	2
8	371870	(020000-) Screw, Soc, M12 X 1.75 X 55, 10.9	4
9	1010794	(020000-) Bracket, Mtg, Front [8200] [Gm1.6l]	1
10	39283	(020000-) Screw, Hex, M10 X 1.5 X 25, 8.8	2
11	32492	(020000-) Washer, Flat, 0.38 Std	2
12	04414	(020000-) Washer, 0.53b 1.88d .12, Stl, PI	6
13	51176	(020000-) Isolator, Vib, Dia .50	3
14	06972	(020000-) Screw, Hex, M12 X 1.75 X 60, 8.8	3
15	32493	(020000-) Washer, Flat, 0.50 Std	5
16	08711	(020000-) Nut, Hex, Lock, M12 X 1.75, NI	1
17	1010798	(020000-) Bracket, Mtg, Rear [8200] [Gm1.6l]	1
18	39810	(020000-) Screw, Hex, .50-13 X 1.25, 5	4
19	372002	(020000-) Sensor, Position, Cshft	1
20	06943	(020000-) Screw, Hex, M 6 X 1.0 X 20, 8.8	1
21	41142	(020000-) Washer, Lock, Int-Ext, .38	2
22	32490	(020000-) Washer, Flat, 0.25 Std	1
23	07790	(020000-) Nut, Hex, Flng, M06 X 1.0	1
24	21195	(020000-) Screw, Hex, .38-16 X 0.75, 5	1
25	32485	(020000-) Washer, Flat, .38 Sae	1
26	57773	(020000-) Wire Assy, 06Ga 13.0L Blk .41H/.41H	1
▽	27	372862	(020000-) Vr, Engine [Long Block Gm 1.6l] (See GM 1.6L Engine Breakdown)	1
▲	28	371972	(020000-) Filter, Oil	1
	29	41359	(020000-) Nut, Hex, Std, M6 X 1.0, 8	1
	30	07791	(020000-) Nut, Hex, Flng, M8 X 1.25	1
	31	371855	(020000-) Hose, Hyd, 26.0l	1
	32	371876	(020000-) Fitting, Hose End	2
	33	372541	(020000-) Fitting, E90, M14 X .56	1
	34	371890	(020000-) Fitting, Pipe, Plug	1
	35	372556	(020000-) Shield, Starter [1.6l]	1
	36	372491	(020000-) Sensor, Oxygen	1
	37	372953	(020000-) Vr, Sensor, Temp, Coolant	1
	38	371996	(020000-) Switch, Indicator, Oil Press	1
	39	383146	(020000-) Sensor, Temp, Water, 0.12npt 220 Deg No	1
	40	371860	(020000-) Fitting, Pipe, Plug, Metric, M18, Soc	1
	41	68106	(020000-) Terminal, Qdc, [.25M, Tab.]	1
	42	50335	(020000-) Nut, Hex, Std, M5X0.8, 8	1

Fig. 17 - Engine Group, LPG (020000-)

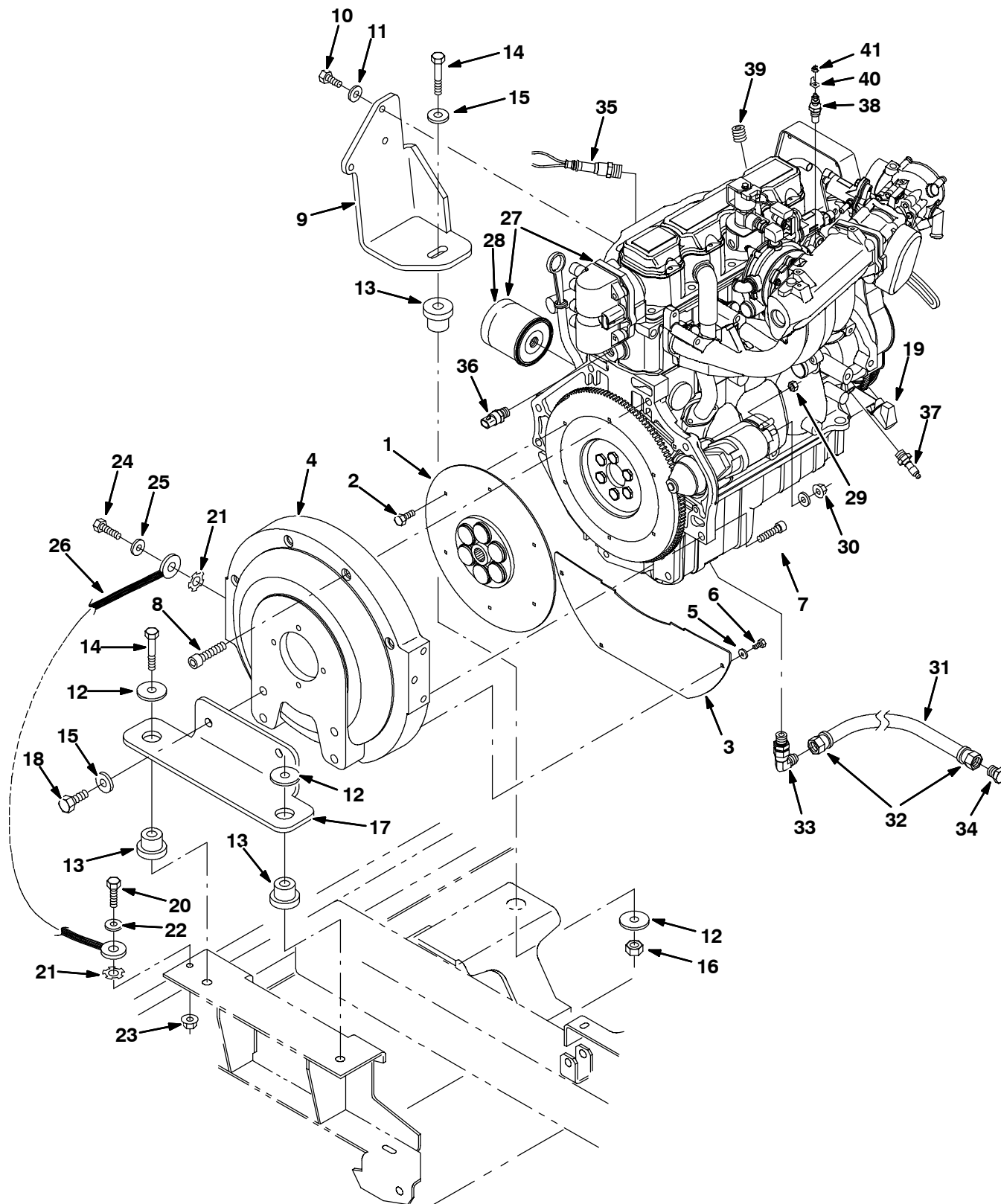


Fig. 17 - Engine Group, LPG (020000-)

Ref.	Part No.	Serial Number	Description	Qty.
1	371866	(020000-) Coupling, Drive, 13t	1
2	372554	(020000-) Screw, Hex, M7-1.0 X 23.0, 8.8	6
3	371868	(020000-) Cover, Hsng, Flywheel	1
4	371869	(020000-) Housing, Pump	1
5	32490	(020000-) Washer, Flat, 0.25 Std	4
6	19315	(020000-) Screw, Hex, .25-20 X 0.50, 5	4
7	10832	(020000-) Screw, Soc, .38-16 X 1.50, Al	2
8	371870	(020000-) Screw, Soc, M12 X 1.75 X 55, 10.9	4
9	1010794	(020000-) Bracket, Mtg, Front [8200] [Gm1.6l]	1
10	39283	(020000-) Screw, Hex, M10 X 1.5 X 25, 8.8	2
11	32492	(020000-) Washer, Flat, 0.38 Std	2
12	04414	(020000-) Washer, 0.53b 1.88d .12, Stl, PI	6
13	51176	(020000-) Isolator, Vib, Dia .50	3
14	06972	(020000-) Screw, Hex, M12 X 1.75 X 60, 8.8	3
15	32493	(020000-) Washer, Flat, 0.50 Std	5
16	08711	(020000-) Nut, Hex, Lock, M12 X 1.75, NI	1
17	1010798	(020000-) Bracket, Mtg, Rear [8200] [Gm1.6l]	1
18	39810	(020000-) Screw, Hex, .50-13 X 1.25, 5	4
19	372002	(020000-) Sensor, Position, Cshft	1
20	06943	(020000-) Screw, Hex, M 6 X 1.0 X 20, 8.8	1
21	41142	(020000-) Washer, Lock, Int-Ext, .38	2
22	32490	(020000-) Washer, Flat, 0.25 Std	1
23	07790	(020000-) Nut, Hex, Fling, M06 X 1.0	1
24	21195	(020000-) Screw, Hex, .38-16 X 0.75, 5	1
25	32485	(020000-) Washer, Flat, .38 Sae	1
26	57773	(020000-) Wire Assy, 06Ga 13.0L Blk .41H/.41H	1
▽	27	372862	(020000-) Vr, Engine [Long Block Gm 1.6l] (See GM 1.6L Engine Breakdown)	1
▲	28	371972	(020000-) Filter, Oil	1
	29	41359	(020000-) Nut, Hex, Std, M6 X 1.0, 8	1
	30	07791	(020000-) Nut, Hex, Fling, M8 X 1.25	1
	31	371855	(020000-) Hose, Hyd, 26.0l	1
	32	371876	(020000-) Fitting, Hose End	2
	33	372541	(020000-) Fitting, E90, M14 X .56	1
	34	371890	(020000-) Fitting, Pipe, Plug	1
	35	372491	(020000-) Sensor, Oxygen	1
	36	372953	(020000-) Vr, Sensor, Temp, Coolant	1
	37	371996	(020000-) Switch, Indicator, Oil Press	1
	38	383146	(020000-) Sensor, Temp, Water, 0.12npt 220 Deg No	1
	39	371860	(020000-) Fitting, Pipe, Plug, Metric, M18, Soc	1
	40	68106	(020000-) Terminal, Qdc, [.25M, Tab.]	1
	41	50335	(020000-) Nut, Hex, Std, M5X0.8, 8	1

Fig. 18 - Engine Carburetor Group, Gasoline (000000-019999)

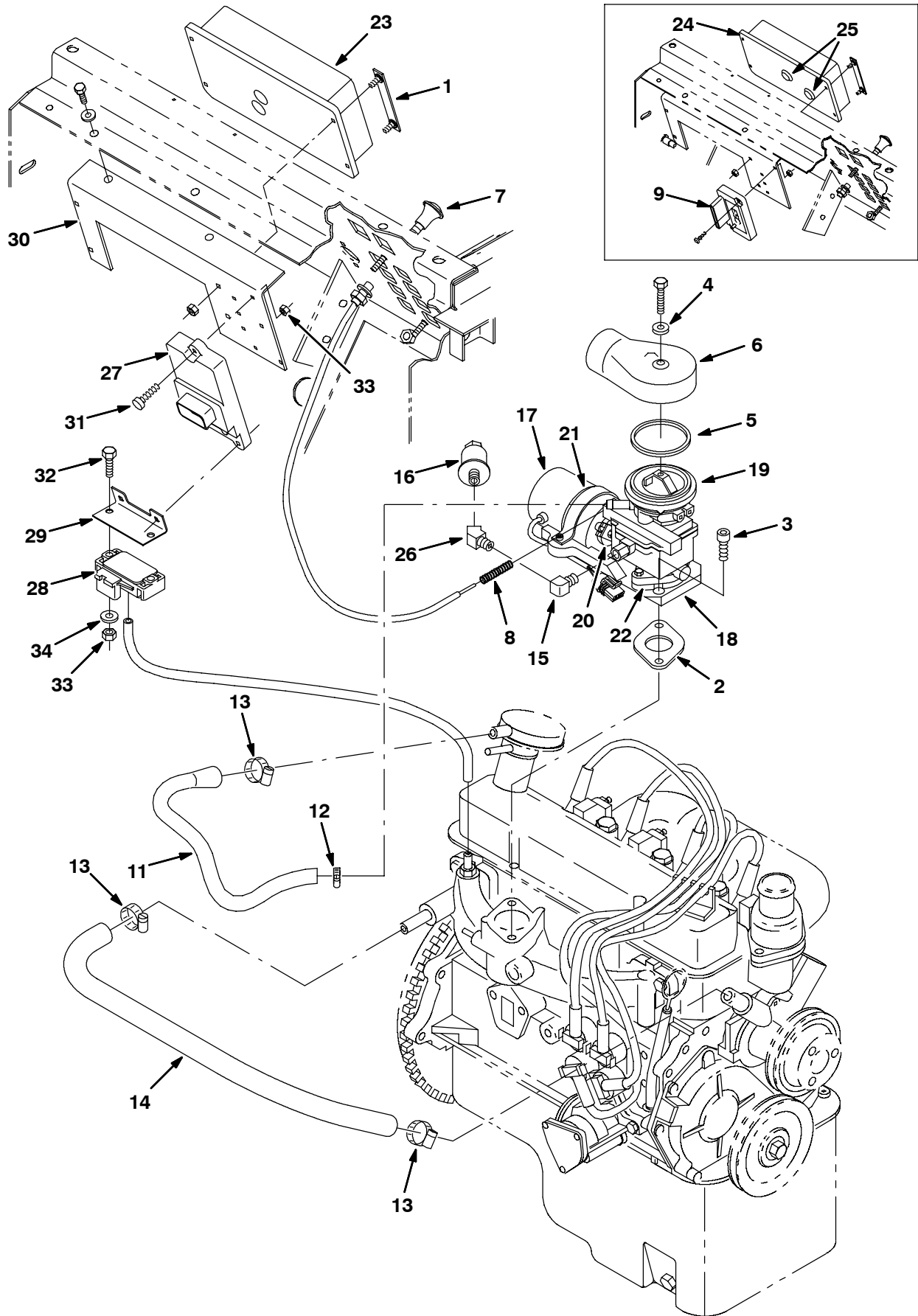


Fig. 18 - Engine Carburetor Group, Gasoline (000000-019999)

Ref.	Part No.	Serial Number	Description	Qty.
1	59935	(000000-019999)	Plate	2
2	74443	(000000-019999)	Gasket	1
3	33951	(000000-019999)	Screw, Soc, M06-1.0 X 20,12.9	2
4	24924	(000000-019999)	Washer	1
5	16738	(000000-019999)	Gasket	1
6	57934	(000000-019999)	Adaptor, Elbow, Carburetor	1
7	364783	(000000-019999)	Cable, Choke	1
8	58846	(000000-019999)	Spring, Compression	1
9	30305	(000000-006452)	Control, Ignition	1
10	19774	(000000-019999)	Hose, Vacuum	1
11	55195	(000000-019999)	Hose, Molded	1
12	43844	(000000-019999)	Clamp, Wormdrive	1
13	86824	(000000-019999)	Clamp, Wormdrive	3
14	31543	(000000-019999)	Hose, Heater	1
▽	374639	(000000-019999)	Governor Assy, Gas	1
▲▽	374638	(000000-019999)	Governor, Gas	1
▲▲	15 11984	(000000-019999)	Fitting, Elbow	1
▲▲	16 36050	(000000-019999)	Filter, Fuel	1
▲▲	17 83849	(000000-019999)	Actuator	1
▲▲	18 83682	(000000-019999)	Bracket	1
▲▲	19 374637	(000000-019999)	Carburetor	1
▲▲	02738	(000000-019999)	Kit, Carburetor	1
▲▲	20 83684	(000000-019999)	Linkage Kit	1
▲▲	21 83685	(000000-019999)	Strap. Mounting, Actuator	1
▲▲	22 74443	(000000-019999)	Gasket	1
▲	23 374127	(006537-019999)	Kit, Replmt, Control, Govnr, [All Purps]	1
▽	24 71437	(000000-006536)	Control Unit (Repl. by 374127)	1
▲	25 374625	(000000-006536)	Plug, Control Box	2
	26 24976	(000000-019999)	Fitting, Elbow, 45	1
▽	374280	(006453-019999)	Module Kit, Ignition, Replmt [Ford 1.3l]	1
▲▽	374282	(006453-019999)	Module Kit, Cntrl, Ignition	1
▲▲	27 375412	(006453-019999)	Module, Control, Ignition	1
▲▲	28 375413	(006453-019999)	Sensor	1
▲▲	374281	(006453-019999)	Harness, Wire, Jumper	1
▲	29 375414	(006453-019999)	Bracket, Sensor, Map	1
▲	30 375419	(006453-019999)	Plate, Control Box	1
▲	31 382726	(006453-019999)	Screw, Pan, M6 X 1.0 X 25, 4.8	3
▲	32 06945	(006453-019999)	Screw, Hex, M6 X 1.0 X 30, 8.8	2
▲	33 08708	(006453-019999)	Nut, Hex, Lock, M6 X 1.0, NI	5
▲	34 19066	(006453-019999)	Washer, Flat, #10	2

Fig. 19 - Engine EFI Group, Gasoline (020000-)

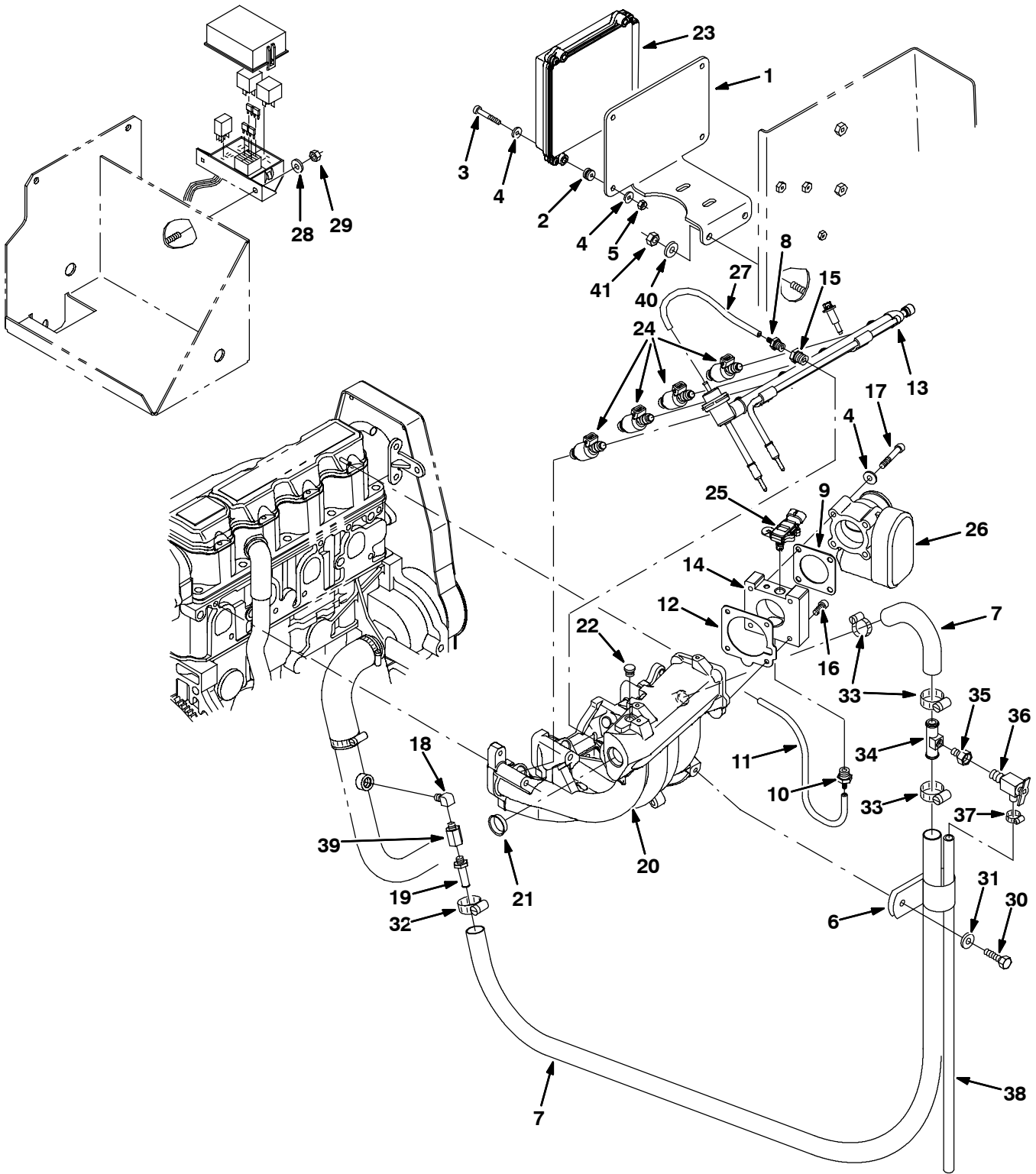


Fig. 19 - Engine EFI Group, Gasoline (020000-)

Ref.	Part No.	Serial Number	Description	Qty.
1	1013321	(020000-) Bracket, Mtg	1
2	01574	(020000-) Grommet, Rbr, 0.19id, F/ 0.3h, .19matl	4
3	06938	(020000-) Screw, Pan, M5 X 0.8 X 40, 4.8	4
4	32490	(020000-) Washer, Flat, 0.25 Std	8
5	06549	(020000-) Nut, Hex, Lock, M5 X 0.8, NI	4
6	58366	(020000-) Clamp, Cable, Stl, 1.25DX1.00W, 1H	1
7	1022364	(020000-) Hose, Heater (Cut)	1
8	372542	(020000-) Fitting, Str, .12mpt X .19rb	1
9	372545	(020000-) Gasket, Body, Throttle [1.6l]	1
10	372543	(020000-) Fitting, Cacuum, M16-15-6h	1
11	372489	(020000-) Hose, 9.5mm X 450mm [Pcv]	1
12	372544	(020000-) Gasket, Manifold, Intake	1
13	372566	(020000-) Rail, Injector, Gas, W/ Press Reg	1
14	372534	(020000-) Adapter, Intake, Throttle Body	1
15	372537	(020000-) Bushing, M6-1.50 X .25-27npt	1
16	06532	(020000-) Screw, Soc, M6 X 1.0 X 25, 12.9	4
17	07255	(020000-) Screw, Soc, M6 X 1.0 X 45, 12.9	4
18	24584	(020000-) Fitting, Brs, E90, Pm06/Pf06 Special	1
19	27767	(020000-) Fitting, Brs, Str, Em10/Pm06	1
20	372547	(020000-) Manifold, Intake [1.6l]	1
21	372549	(020000-) Plug, Manifold, Intake	1
22	372550	(020000-) Plug, Port, Sensor [Map]	1
23	372858	(020000-) Module, Ecu, Gas [Gm 1.6L]	1
24	372563	(020000-) Injector Kit, Fuel, Gas	4
25	372493	(020000-) Sensor, [Tmap]	1
26	372482	(020000-) Housing, Throttle, 40mm [Bosch]	1
27	372546	(020000-) Hose, Fuel, .19	1
28	32483	(020000-) Washer, Flat, 0.25 Sae	2
29	08708	(020000-) Nut, Hex, Lock, M6 X 1.0, NI	2
30	16735	(020000-) Screw, Hex, M8X1.25X16, 8.8	1
31	39349	(020000-) Washer, Flat, 0.31 Sae	1
32	372539	(020000-) Clamp, Hose, 1.0	2
33	63810	(020000-) Clamp, Hose, Wormdrive, 0.56-1.06d	2
34	83578	(020000-) Tube, Air Bleed, .62d 2.2l .12npt Alum	1
35	1015930	(020000-) Fitting, Brs, Str, Pm02/Pf04	1
36	51305	(020000-) Fitting, Draincock, .25npt 90	1
37	43844	(020000-) Clamp, Hose, Wormdrive, 0.25-0.62d	1
38	73471	(020000-) Hose, Pvc, Clr, 0.38id 0.56od 22.00l	1
39	1015547	(020000-) Fitting, Adapter, Orifice, Pm06Pf06	1
40	32491	(020000-) Washer, Flat, 0.31 Std	2
41	39311	(020000-) Nut, Hex, Std, M8 X 1.25	2

Fig. 20 - Engine Carburetor Group, LPG (000000-019999)

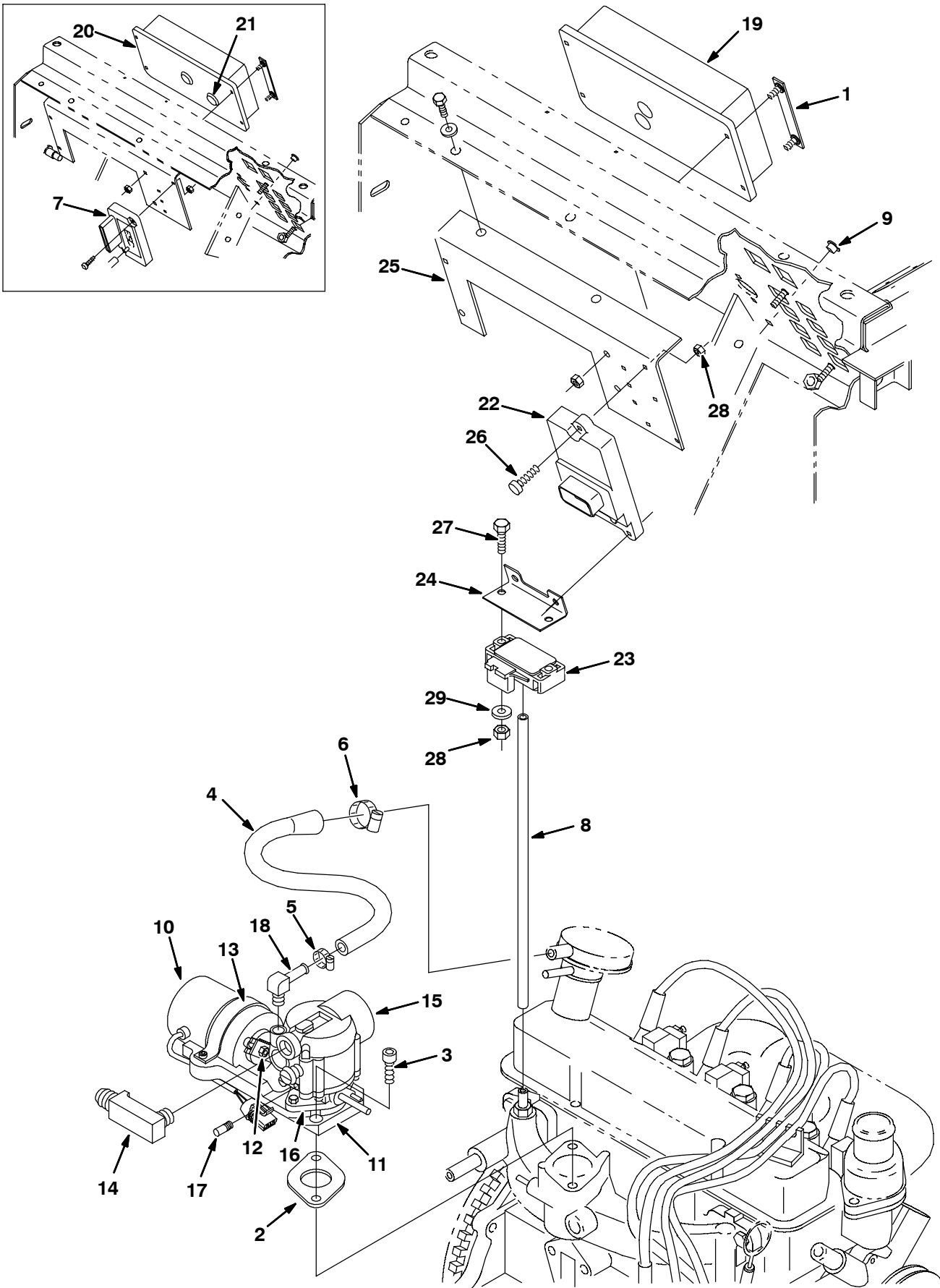


Fig. 20 - Engine Carburetor Group, LPG (000000-019999)

Ref.	Part No.	Serial Number	Description	Qty.
1	59935	(000000-019999)	Plate	2
2	74443	(000000-019999)	Gasket	1
3	33951	(000000-019999)	Screw, Soc, M06-1.0 X 20,12.9	1
4	55195	(000000-019999)	Hose, Molded	1
5	43844	(000000-019999)	Clamp, Wormdrive	1
6	63810	(000000-019999)	Clamp, Wormdrive	1
7	30305	(000000-006452)	Control, Ignition	1
8	39780-1	(000000-019999)	Hose, Vacuum	1
9	01314	(000000-019999)	Button, Plug	1
▽	71436	(000000-019999)	Governor Assy, Lpg	1
▲▽	71444	(000000-019999)	Governor, Lpg	1
▲▲	10 83849	(000000-019999)	Actuator	1
▲▲	11 83682	(000000-019999)	Bracket	1
▲▲	12 83684	(000000-019999)	Linkage Kit	1
▲▲	13 83685	(000000-019999)	Strap. Mounting, Actuator	1
▲▲	14 84641	(000000-019999)	Fitting, Hyd, Elbow	1
▲▽	15 73017	(000000-019999)	Carburetor, Lpg, With Gasket	1
▲▲	78881	(000000-019999)	Carb Repair Kit	1
▲▲	16 74443	(000000-019999)	Gasket	1
▲▲	17 74402	(000000-019999)	Fitting, Special	1
▲▲	18 53029	(000000-019999)	Fitting, Brass, Elbow	1
▲	19 374127	(006537-019999)	Kit, Replmt, Control, Govnr, [All Purps]	1
▽	20 71437	(000000-006536)	Control Unit (Repl. by 374127)	1
▲	21 374625	(000000-006536)	Plug, Control Box	2
▽	374280	(006453-019999)	Module Kit, Ignition, Replmt [Ford 1.3l]	1
▲▽	374282	(006453-019999)	Module Kit, Cntrl, Ignition	1
▲▲	22 375412	(006453-019999)	Module, Control, Ignition	1
▲▲	23 375413	(006453-019999)	Sensor	1
▲▲	374281	(006453-019999)	Harness, Wire, Jumper	1
▲	24 375414	(006453-019999)	Bracket, Sensor, Map	1
▲	25 375419	(006453-019999)	Plate, Control Box	1
▲	26 382726	(006453-019999)	Screw, Pan, M6 X 1.0 X 25, 4.8	3
▲	27 06945	(006453-019999)	Screw, Hex, M6 X 1.0 X 30, 8.8	2
▲	28 08708	(006453-019999)	Nut, Hex, Lock, M6 X 1.0, NI	5
▲	29 19066	(006453-019999)	Washer, Flat, #10	2

Fig. 21 - Engine EFI Group, LPG (020000-)

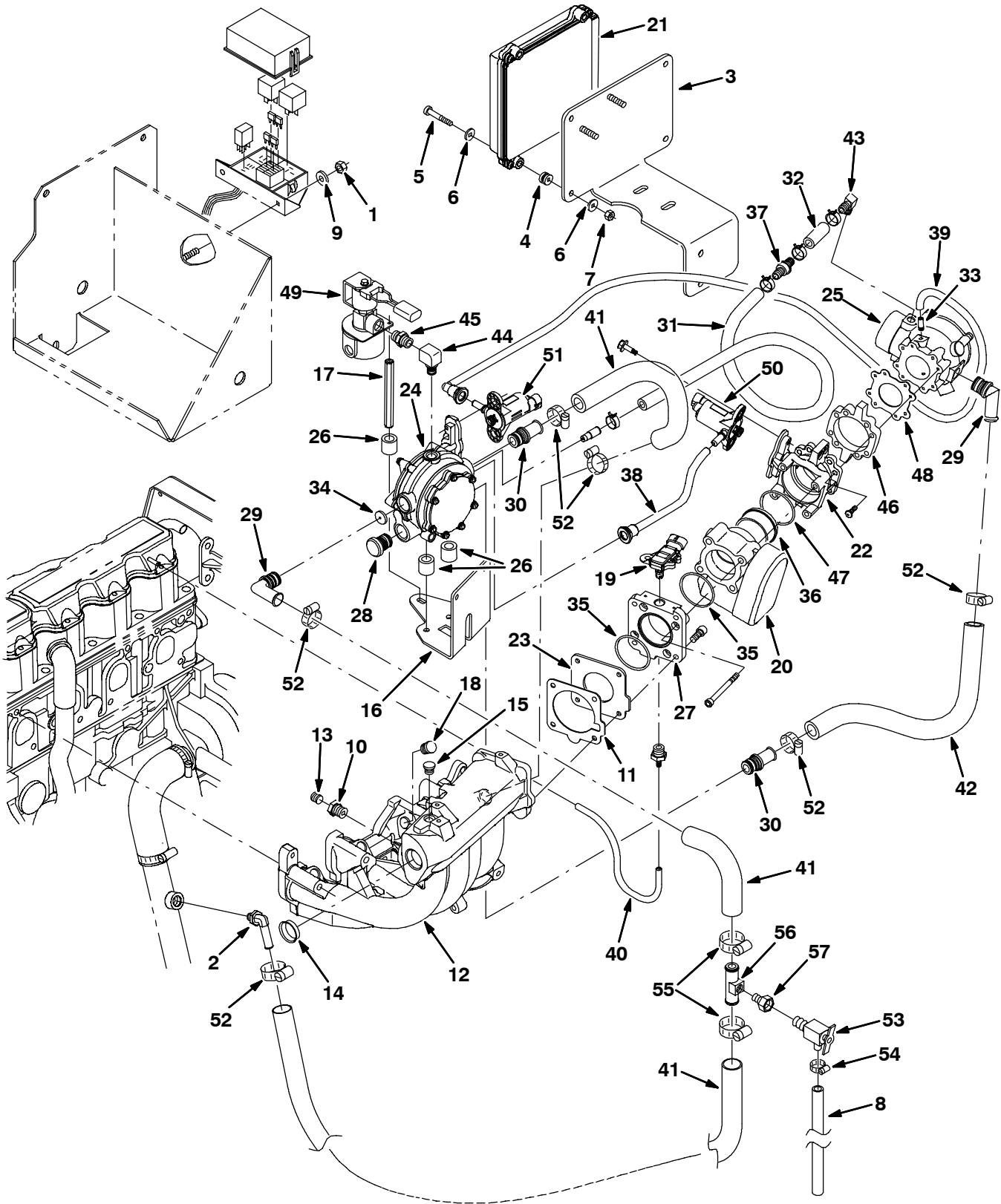


Fig. 21 - Engine EFI Group, LPG (020000-)

Ref.	Part No.	Serial Number	Description	Qty.
1	08708	(020000-) Nut, Hex, Lock, M6 X 1.0, NI	2
2	51839	(020000-) Fitting, Brs, E90, Em10/Pm06	1
3	1016921	(020000-) Bracket, Module, Electronic Cntrl, Lp	1
4	01574	(020000-) Grommet, Rbr, 0.19id, F/ 0.3h, .19matl	4
5	06938	(020000-) Screw, Pan, M5 X 0.8 X 40, 4.8	4
6	32490	(020000-) Washer, Flat, 0.25 Std	4
7	06549	(020000-) Nut, Hex, Lock, M 5 X 0.8, NI	4
8	73471	(020000-) Hose, Pvc, Clr, 0.38id 0.56od 22.00l	1
9	32483	(020000-) Washer, Flat, 0.25 Sae	2
10	372537	(020000-) Bushing, M6-1.50 X .25-27npt	1
11	372544	(020000-) Gasket, Manifold, Intake	1
12	372547	(020000-) Manifold, Intake [1.6l]	1
13	372548	(020000-) Plug, .12npt, Ss	1
14	372549	(020000-) Plug, Manifold, Intake	1
15	372550	(020000-) Plug, Port, Sensor [Map]	1
16	372576	(020000-) Bracket, Reg [1.6l]	1
17	372577	(020000-) Spacer, Sppt, Filter Lock Off	1
18	372579	(020000-) Plug, Hole, Injector	4
19	372493	(020000-) Sensor, [Tmap]	1
20	372482	(020000-) Housing, Throttle, 40mm [Bosch]	1
21	372857	(020000-) Module, Ecu, Lpg [Gm 1.6L]	1
22	372580	(020000-) Adaptor, Valve, Fuel Trim	1
23	372582	(020000-) Adaptor, Plate	1
24	372500	(020000-) Converter, Lpg	1
25	372898	(020000-) Mixer, Lpg [Gm 1.6l]	1
26	372518	(020000-) Isolator Kit, Mtg, Vaporizer, Rbr	3
27	372558	(020000-) Adaptor [1.6]	1
28	372515	(020000-) Fitting, Cap	1
29	372512	(020000-) Fitting, E70	2
30	372514	(020000-) Fitting, Str	2
31	372506	(020000-) Hose, Balancing, Press, 680mm	1
32	372507	(020000-) Hose, Balancing, Press, 45mm	1
33	372511	(020000-) Fitting, Hose, Vacuum, .25	1
34	372517	(020000-) Restrictor, Jet, Coolant	1
35	372484	(020000-) Seal, Org	2
36	372498	(020000-) Sleeve, Throttle [Bosch], Plstc	1
37	372569	(020000-) Valve, Check	1
38	372609	(020000-) Hose, 170mm [Ftv-ptv]	1
39	372605	(020000-) Hose, Valve, Press Trim, 350mm	1
40	372607	(020000-) Hose, 9.5mm X 290mm [Pcv]	1
41	372528	(020000-) Hose, Molded	1
42	372606	(020000-) Hose, 355mm [Fl-vrp]	1
43	372510	(020000-) Fitting, E90	1
44	372611	(020000-) Fitting, Str, E90, .25npt	1
45	372610	(020000-) Fitting, Nipple, .25npt, Brs	1

STANDARD PARTS

Fig. 21 - Engine EFI Group, LPG (020000-)

Ref.	Part No.	Serial Number	Description	Qty.	
46	372612	(020000-) Adaptor, Throttle Body	1	
47	372613	(020000-) Seal, Org, Throttle Body	1	
48	372608	(020000-) Gasket, Adaptor	1	
▽	49	372503	(020000-) Valve, Shutoff, Lpg, W/ Wire Connector	1
▲	372615	(020000-) Filter Kit, Lock Off, Lpg	1	
50	372501	(020000-) Valve, Trim, Fuel, Normal Flow	1	
372497	51	372581	(020000-) Valve, Trim, Fuel, Normal Flow, E90	1
52	63810	(020000-) Clamp, Hose, Wormdrive, 0.56-1.06d	6	
53	51305	(020000-) Fitting, Draincock, .25npt 90	1	
54	43844	(020000-) Clamp, Hose, Wormdrive, 0.25-0.62d	1	
55	63810	(020000-) Clamp, Hose, Wormdrive, 0.56-1.06d	2	
56	83578	(020000-) Tube, Air Bleed, .62d 2.2l .12npt Alum	1	
57	1015930	(020000-) Fitting, Brs, Str, Pm02/Pf04	1	

Fig. 22 - Engine Fuel Tank Group, Gasoline (000000-019999)

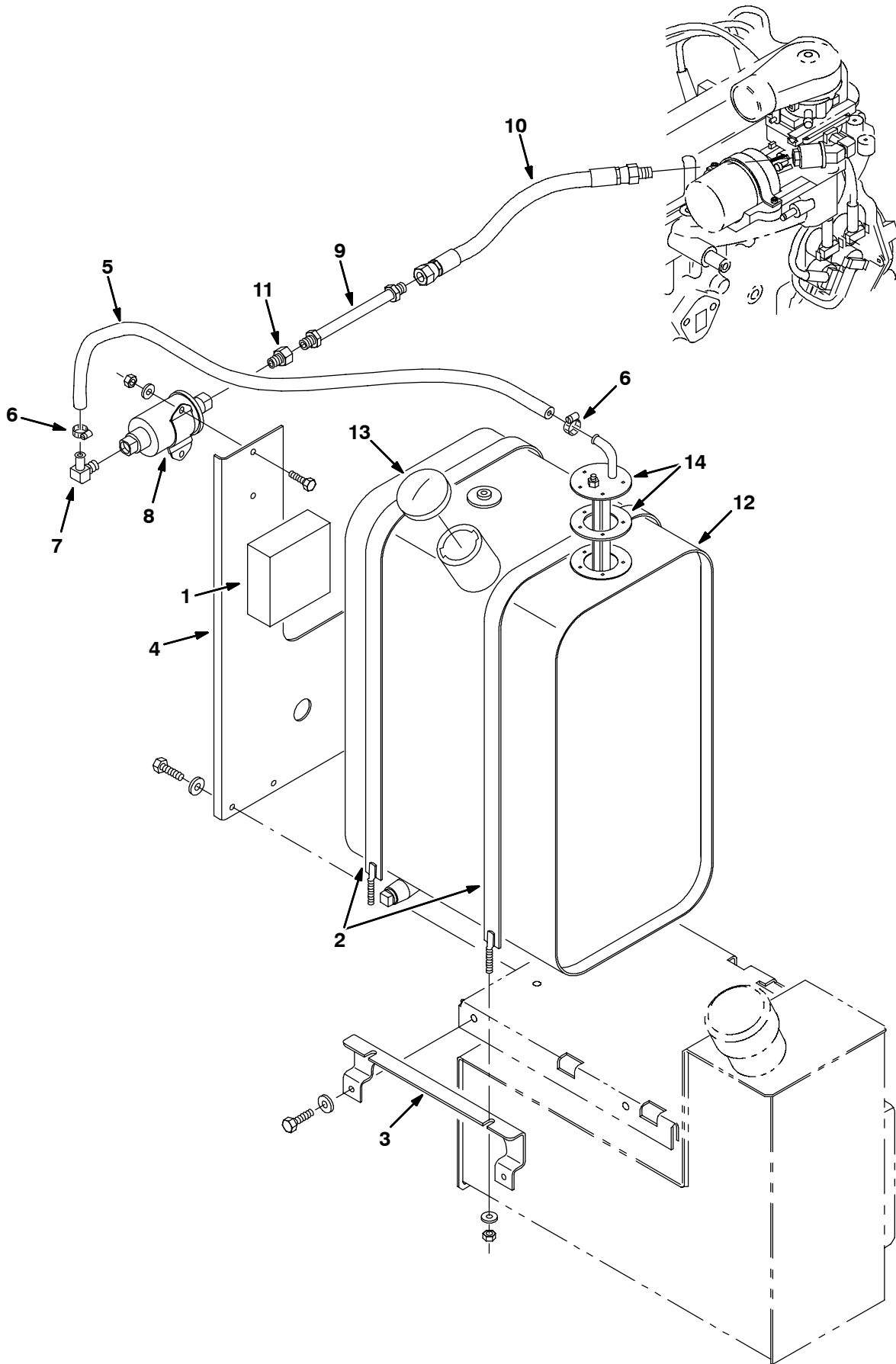


Fig. 22 - Engine Fuel Tank Group, Gasoline (000000-019999)

Ref.	Part No.	Serial Number	Description	Qty.	
1	73862	(000000-019999)	Insulation, S/Foam 1.5X4.0X4.0	1	
2	364553	(000000-019999)	Strap, Gas	2	
3	364745	(000000-019999)	Bracket, Strap, Front	1	
4	364743	(000000-019999)	Channel, Fuel Pump	1	
5	365189	(000000-019999)	Hose, Fuel	1	
6	43844	(000000-019999)	Clamp, Wormdrive	2	
7	53029	(000000-019999)	Fitting, Brass, Elbow	1	
8	59015	(000000-019999)	Pump, Fuel	1	
9	71454	(000000-019999)	Fuelline	1	
10	70173	(000000-019999)	Hose, Fuel	1	
11	40585	(000000-019999)	Fitting, Brass, Str	1	
▽	12	364502	(000000-019999)	Tank, Fuel	1
▲	13	48267	(000000-019999)	Cap, Fuel	1
▲	14	365127	(000000-019999)	Send-Unit, Fuel, Ohm	1

STANDARD PARTS

Fig. 23 - Engine Fuel Tank Group, Gasoline (020000-)

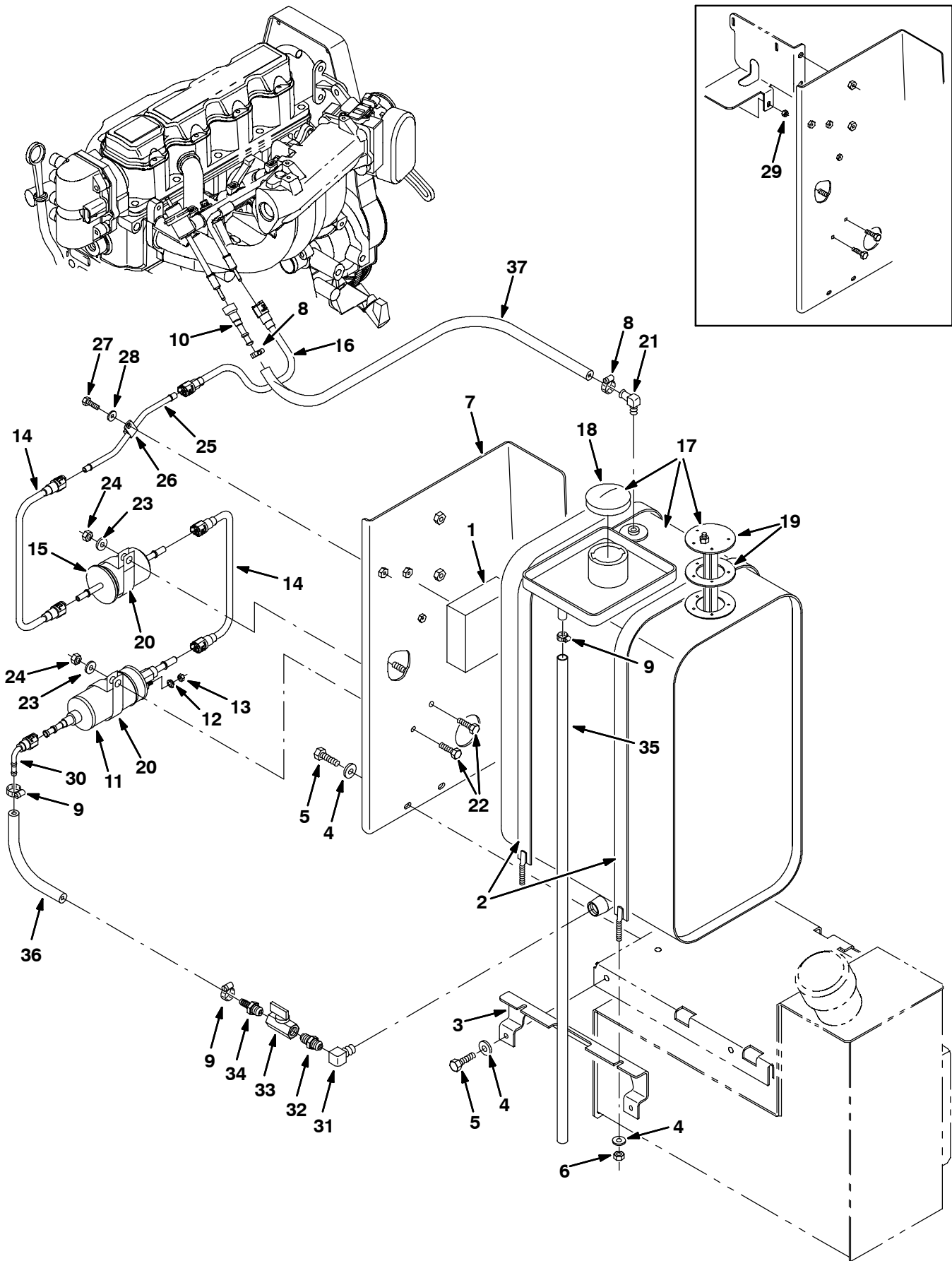


Fig. 23 - Engine Fuel Tank Group, Gasoline (020000-)

Ref.	Part No.	Serial Number	Description	Qty.	
1	73862	(020000-) Insulation, Acstc, 1.5 04.0w 04.0l	1	
2	364553	(020000-) Strap, Gas	2	
3	364745	(020000-) Bracket, Mtg, Tank, Fuel, Front	1	
4	32490	(020000-) Washer, Flat, 0.25 Std	12	
5	06944	(020000-) Screw, Hex, M6 X 1.0 X 25, 8.8	6	
6	32981	(020000-) Nut, Hex, Lock, .25-20, NI	4	
7	1016881	(020000-) Channel, Pump, Fuel	1	
8	43844	(020000-) Clamp, Hose, Wormdrive, 0.25-0.62d	2	
9	54333	(020000-) Clamp, Hose, Wormdrive, 0.31-0.88d, .31w	3	
10	1013086	(020000-) Connector, Fuel, Qf	1	
11	1011107	(020000-) Pump, Fuel, Hi-Press [Gm 1.6l/3.0l]	1	
12	32978	(020000-) Washer, Lock, Int, #08	1	
13	42368	(020000-) Nut, Hex, Std, M4 X 0.7, 8	1	
14	1013509	(020000-) Fuelline, .31d Str / Str, Plstc[8200]	1	
15	372440	(020000-) Fuel, Fltr [Gm 1.6l/3.0l]	1	
16	1013514	(020000-) Fuelline, .31D Str / Str, Plstc [8200]	1	
▽	17	1012535	(020000-) Tank, Fuel, 10.5gal [8200/8210]	1
▲	18	48267	(020000-) Cap, Tank, Fuel, 2.3neck 2.6d	1
▲	19	365127	(020000-) Send-Unit, Fuel, Ohm	1
20	1011895	(020000-) Clamp, Cable, Stl, 2.00d X 0.75w, 1h	2	
21	9000355	(020000-) Fitting, Brs, E90, Em05/Pm04	1	
22	76570	(020000-) Screw, Hex, M8 X 1.25 X 30, 8.8	1	
23	32491	(020000-) Washer, Flat, 0.31 Std	2	
24	08709	(020000-) Nut, Hex, Lock, M8 X 1.25, NI	2	
25	1019912	(020000-) Fuelline, .31d Qm/Qm Stl	1	
26	26395-2	(020000-) Clamp, Cable, Stl, 0.38d X 0.38w, 1h	1	
27	24199	(020000-) Screw, Hex, M5 X 0.8 X 16, Ss	1	
28	01683	(020000-) Washer, Flat, #10 Ss	1	
29	09739	(020000-020118) Nut, Hex, Lock, M5 X 0.8, NI, Ss	1	
30	1019939	(020000-) Connector, Fuel, E90, Qf	1	
31	27048	(020000-) Fitting, Brs, E90, Pm04/Pf04	1	
32	398468	(020000-) Fitting, Brs, Str, Pm04/Pm04	1	
33	1019940	(020000-) Valve, Ball, 04 Pf Chm W/ Handle	1	
34	392629	(020000-) Fitting, Brs, Str, Pm04/Bm05	1	
35	16387	(020000-) Hose, Fuel, 0.50id 52.0l	1	
36	1020086	(020000-) Hose, Fuel, 0.31id 7.5l	1	
37	365190	(020000-) Hose, Fuel, 0.31id 22.0l	1	

STANDARD PARTS

Fig. 24 - Engine Fuel Tank And Vaporizer Group, LPG (000000-019999)

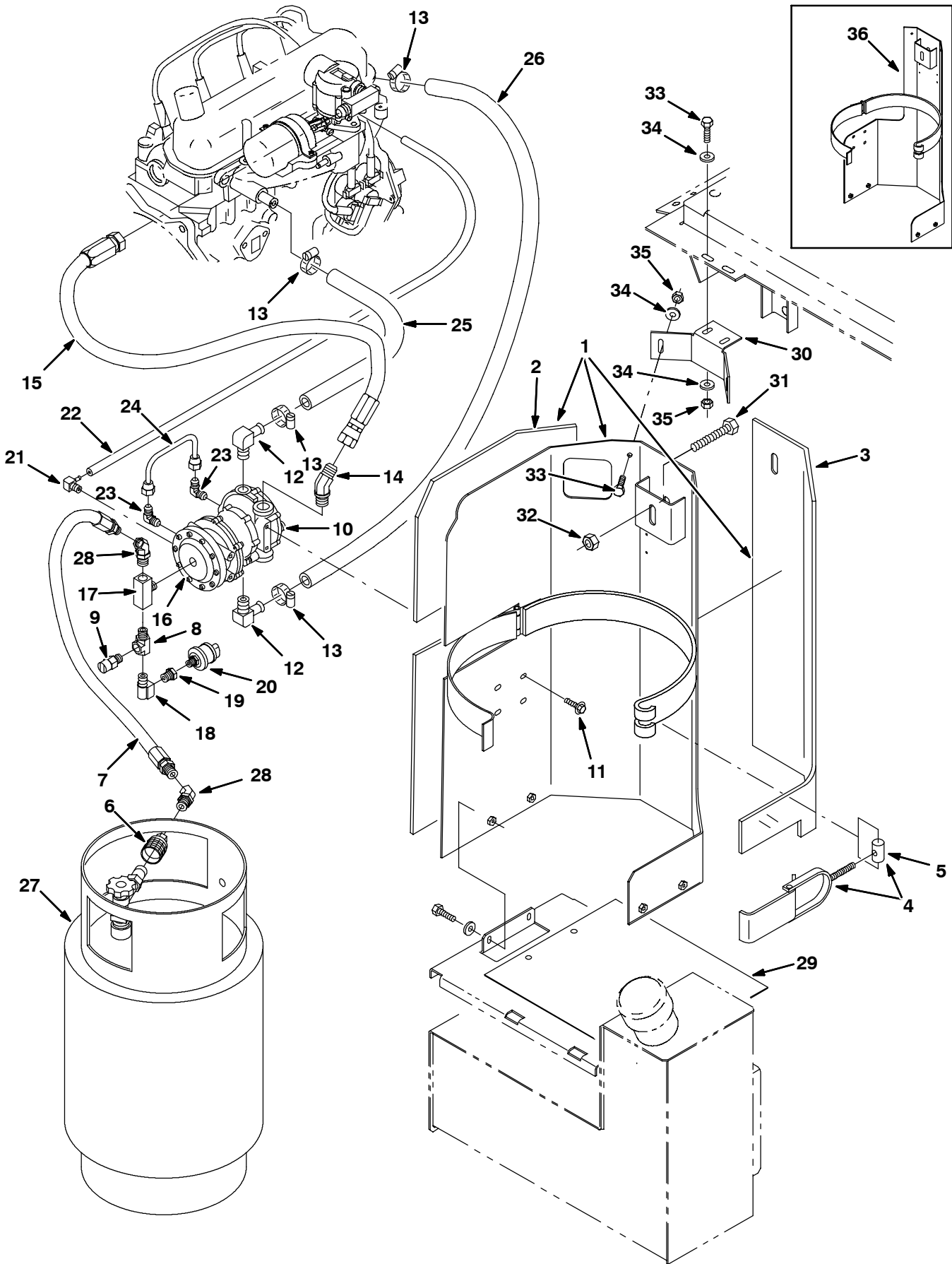


Fig. 24 - Engine Fuel Tank And Vaporizer Group, LPG (000000-019999)

Ref.	Part No.	Serial Number	Description	Qty.
▽	1	377338	(xxxxxx-019999) Mtg Kit, Tank, Lpg W/ Insulation	1
▲	2	365327	(000000-019999) Insulation, Acstc, Tank	1
▲	3	365328	(000000-019999) Insulation, Acstc, Tank	1
▽	4	53400-1	(000000-019999) Latch Assy, Lpg Tank Mtg,W/Nut	1
▲	5	53400-4	(000000-019999) Nut	1
	6	26496	(000000-019999) Coupling	1
	7	22308	(000000-019999) Hose, Lpg	1
	8	56976A	(000000-019999) Fitting, Tee	1
	9	24047	(000000-019999) Valve, Press Relief, Lpg Rego	1
▽	10	374648	(000000-019999) Vaporizer, Lpg	1
▲		374649	(000000-019999) Vaporizer Repair Kit	1
	11	16949	(000000-019999) Screw, Hex, .25-20 X 0.75,Sems	4
	12	51839	(000000-019999) Fitting, Brass, Elbow	2
	13	86824	(000000-019999) Clamp, Wormdrive	4
	14	51780	(000000-019999) Fitting, Hyd, Elbow	1
	15	364828	(000000-019999) Hose Lpg, O8 Lpg X 17.Olg	1
▽	16	73020	(000000-019999) Filter, Fuelock	1
▲		65527	(000000-019999) Fuelock Replacement Kit	1
	17	53268	(000000-019999) Fitting, Tee	1
	18	27048	(000000-019999) Fitting, Pipe, Elbow	1
	19	17414	(000000-019999) Fitting, Hyd, Str	1
	20	23156	(000000-019999) Switch, Pressure, Lpg	1
	21	32183	(000000-019999) Fitting, Brass, Elbow	1
	22	19774	(000000-019999) Hose, Vacuum	1
	23	52424	(000000-019999) Fitting, Hyd, Elbow	2
	24	59808	(000000-019999) Fuelline	1
	25	365103	(000000-019999) Hose, Heater	1
	26	365104	(000000-019999) Hose, .62 Id X 30.0 Lng. Heate	1
	27	24928-1	(000000-019999) Tank-Lp,33@,Liq,Both,Fill Ga L	1
	28	47720	(000000-019999) Ftg-Hyd E45	2
	29	365169	(006076-019999) Shield, Tank	1
	30	364554	(000000-019999) Channel, Tank	1
	31	06416	(000000-019999) Screw, Hex, M12-1.75 X 50, FI	1
	32	08711	(000000-019999) Nut, Hex, Lock, M12 X 1.75,NI	1
	33	06943	(000000-019999) Screw, Hex, M6 X 1.0 X 20, 8.8	4
	34	32490	(000000-019999) Washer, Flat, 0.25 Std	8
	35	07790	(000000-019999) Nut, Hex, FIng, M6 X 1.0	4
	36	365125	(000000-006075) Tray, Lpg, W/Label	1
	36	365222	(006076- xxxxxx) Tray, Lpg, W/Label (Rplc By 377338)	1

Fig. 25 - Engine Fuel Tank Group, LPG (020000-)

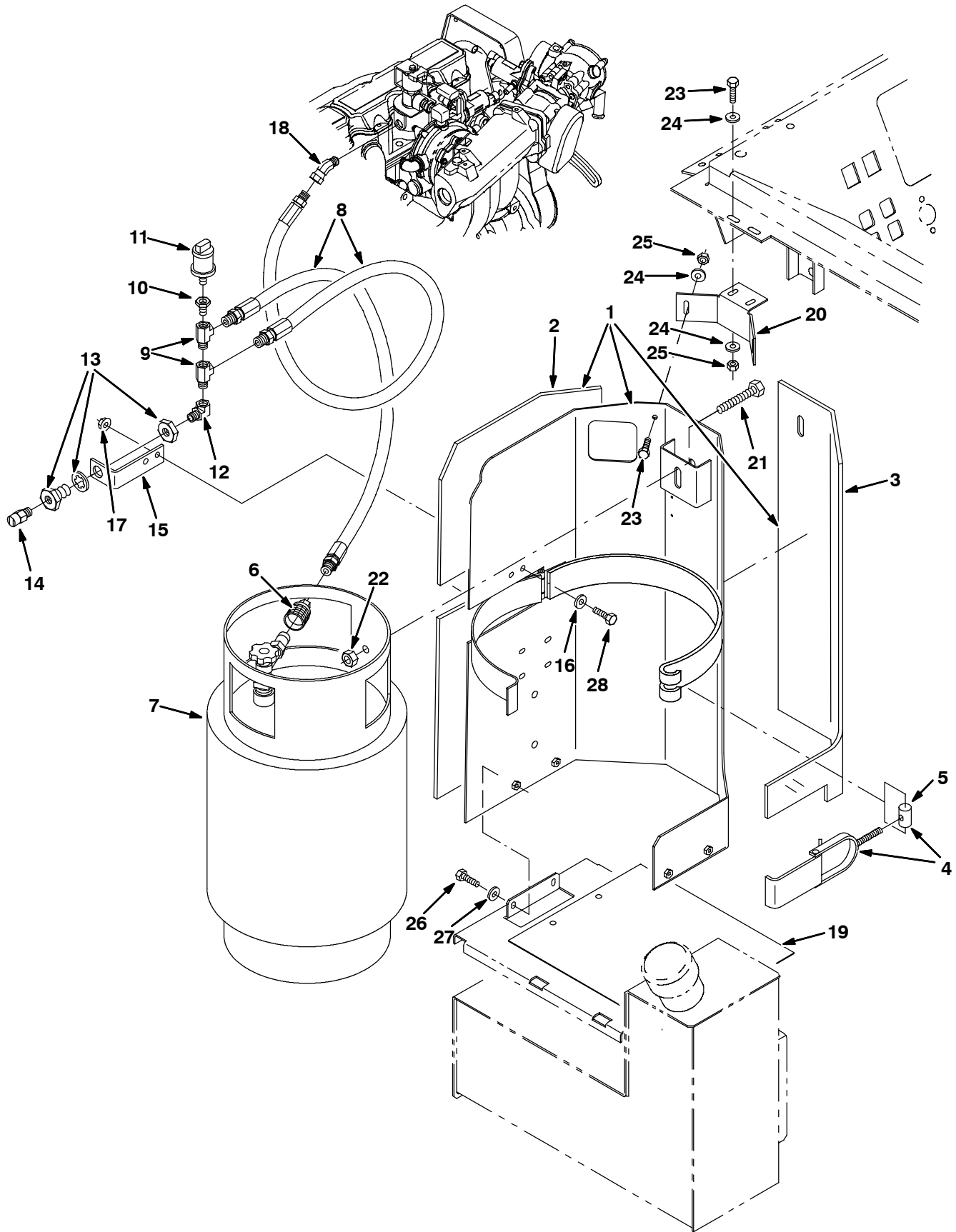


Fig. 25 - Engine Fuel Tank Group, LPG (020000-)

Ref.	Part No.	Serial Number	Description	Qty.
▽	1	377338	(020000-) Mtg Kit, Tank, Lpg W/ Insulation	1
▲	2	365327	(020000-) Insulation, Acstc, Tank	1
▲	3	365328	(020000-) Insulation, Acstc, Tank	1
▽	4	53400-1	(020000-) Latch Assy, Lpg Tank Mtg,W/Nut	1
▲	5	53400-4	(020000-) Nut	1
	6	26496	(020000-) Coupling	1
	7	24928-1	(020000-) Tank, Lpg, 33Lb, W/ Gauge [Empty] [Liq]	1
	8	377218	(020000-) Hose, Lpg, Med05, Pm04Str/Sm04Str, 19.0L	2
	9	56976A	(020000-) Fitting, Hyd, Tee, Pm04/Pf04/Pf04	2
	10	17414	(020000-) Fitting, Pipe, Str, Pm04/Pf02	1
	11	23156	(020000-) Switch, Press, 12Vdc 08A Spst Nc 0070Psi	1
	12	27048	(020000-) Fitting, Brs, E90, Pm04/Pf04	1
	13	78122	(020000-) Fitting, Brs, Str, Pf04/Pf04, Bkhd	1
	14	24047	(020000-) Valve, Lpg, Press Relief	1
	15	73116	(020000-) Bracket, Mtg, Valve, Relief	1
	16	32491	(020000-) Washer, Flat, 0.31 Std	2
	17	08709	(020000-) Nut, Hex, Lock, M8 X 1.25, NI	2
	18	392645	(020000-) Fitting, Pipe, E45, Pm04/Pf04, [Swivel]	1
	19	365169	(020000-) Shield, Tank	1
	20	364554	(020000-) Channel, Tank	1
	21	06416	(020000-) Screw, Hex, M12-1.75 X 50, FI	1
	22	08711	(020000-) Nut, Hex, Lock, M12 X 1.75,NI	1
	23	06943	(020000-) Screw, Hex, M6 X 1.0 X 20, 8.8	4
	24	32490	(020000-) Washer, Flat, 0.25 Std	8
	25	07790	(020000-) Nut, Hex, Flng, M6 X 1.0	4
	26	06943	(020000-) Screw, Hex, M6X1.0X20, 8.8	2
	27	32483	(020000-) Washer, Flat, 0.25 Sae	2
	28	16931	(020000-) Screw, Hex, M8X1.25X20, 8.8	2

Fig. 26 - Engine Air Cleaner Group, Gasoline (00000-019999)

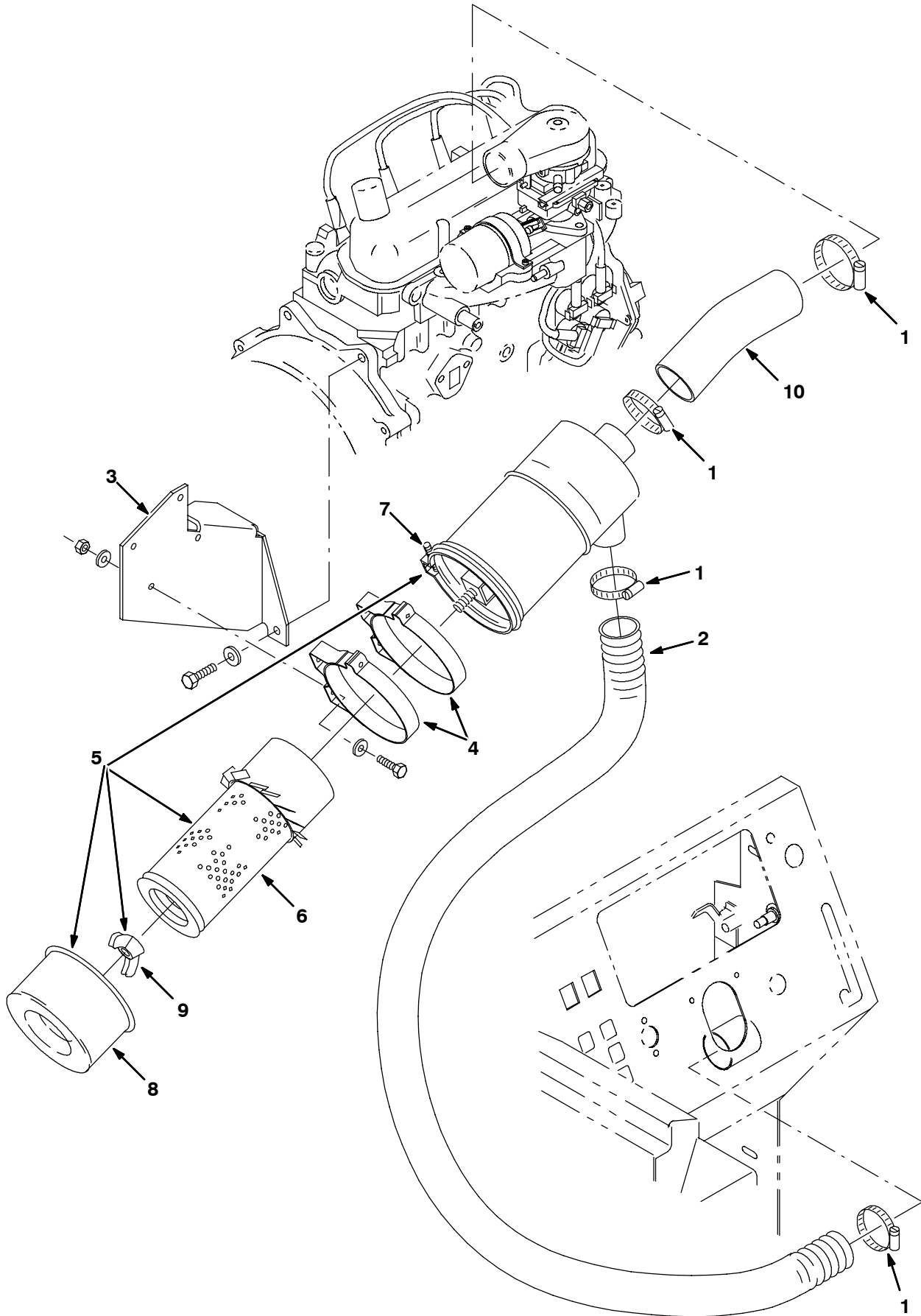


Fig. 26 - Engine Air Cleaner Group, Gasoline (000000-019999)

Ref.	Part No.	Serial Number	Description	Qty.	
1	14432	(000000-019999)	Clamp, Wormdrive	4	
2	364845	(000000-019999)	Hose, Air Intake, Flex	1	
3	364029	(000000-019999)	Bracket, Mtg, Aircleaner	1	
4	51560-3	(000000-019999)	Clamp, Mtg	2	
▽	5	58538	(000000-019999)	Cleaner, Air	1
▲	6	58120	(000000-019999)	Element, Filter, Air	1
▲	7	02740	(000000-019999)	Clamp	1
▲	8	02741	(000000-019999)	Cup	1
▲	9	07562	(000000-019999)	Nut, Wing, .44-20, Special	1
10	364434	(000000-019999)	Hose, Molded, Air Intake	1	

Fig. 27 - Engine Air Cleaner Group, Gasoline (020000-)

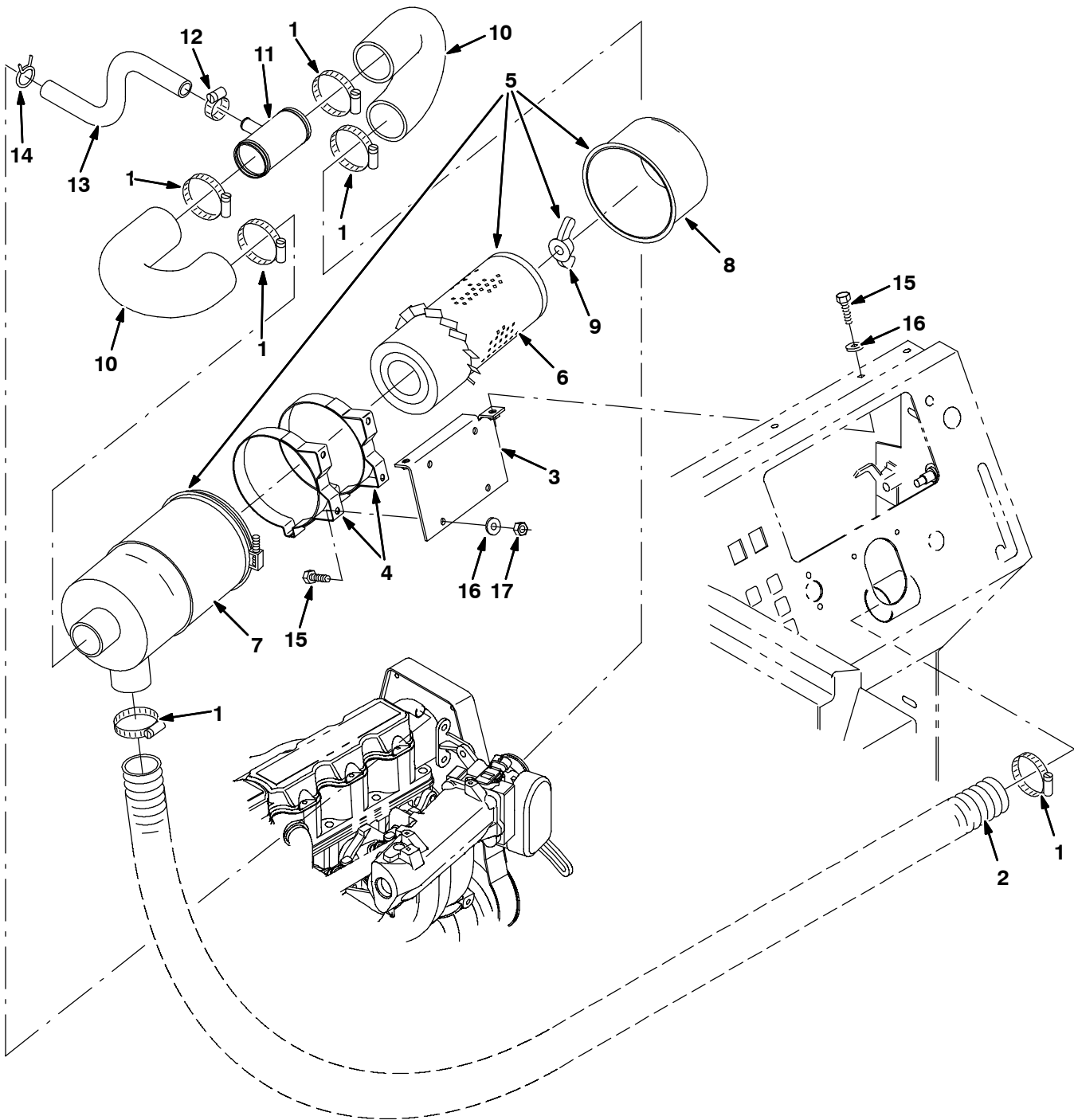


Fig. 27 - Engine Air Cleaner Group, Gasoline (020000-)

Ref.	Part No.	Serial Number	Description	Qty.	
1	83584	(020000-) Clamp, Hose, Wormdrive, 1.31-3.25D	6	
2	365086	(020000-) Hose, Flex, Vacuum, 2.0D 19.0L	1	
3	1011739	(020000-) Bracket, Cleaner, Air	1	
4	51560-3	(020000-) Clamp, Mtg	2	
▽	5	58538	(020000-) Cleaner, Air	1
▲	6	58120	(020000-) Element, Filter, Air	1
▲	7	02740	(020000-) Clamp	1
▲	8	02741	(020000-) Cup	1
▲	9	07562	(020000-) Nut, Wing, .44-20, Special	1
10	1011761	(020000-) Hose, Intake, Air, Mold, Gas	2	
11	1011780	(020000-) Tube Wldt, Tee	1	
12	63810	(020000-) Clamp, Hose, Wormdrive, 0.56-1.06D	1	
13	1013168	(020000-) Hose, Heater, E90, 0.62ld 05.5 2.0	1	
14	371854	(020000-) Clamp, Spring, 1.50	1	
15	06943	(020000-) Screw, Hex, M6X1.0X20, 8.8	6	
16	32483	(020000-) Washer, Flat, 0.25 Sae	6	
17	08708	(020000-) Nut, Hex, Lock, M6X1.0, NI	4	

Fig. 28 - Engine Air Cleaner Group, LPG (000000-019999)

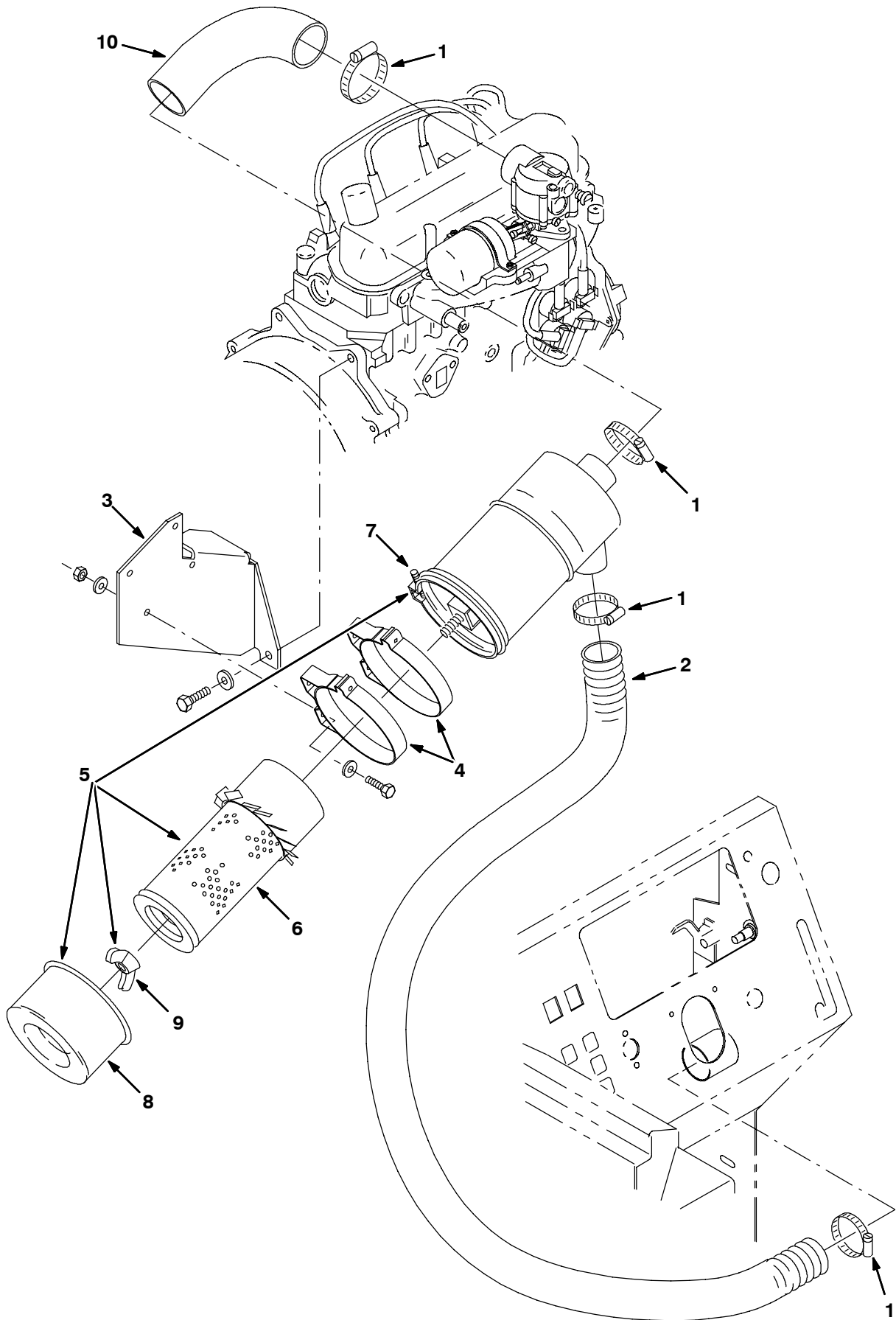


Fig. 28 - Engine Air Cleaner Group, LPG (000000-019999)

Ref.	Part No.	Serial Number	Description	Qty.	
1	14432	(000000-019999)	Clamp, Wormdrive	4	
2	364845	(000000-019999)	Hose, Air Intake, Flex	1	
3	364029	(000000-019999)	Bracket, Mtg, Aircleaner	1	
4	51560-3	(000000-019999)	Clamp, Mtg	2	
▽	5	58538	(000000-019999)	Cleaner, Air	1
▲	6	58120	(000000-019999)	Element, Filter, Air	1
▲	7	02740	(000000-019999)	Clamp	1
▲	8	02741	(000000-019999)	Cup	1
▲	9	07562	(000000-019999)	Nut, Wing, .44-20, Special	1
10	364855	(000000-019999)	Hose, Molded, Air Intake, Lpg	1	

Fig. 29 - Engine Air Cleaner Group, LPG (020000-)

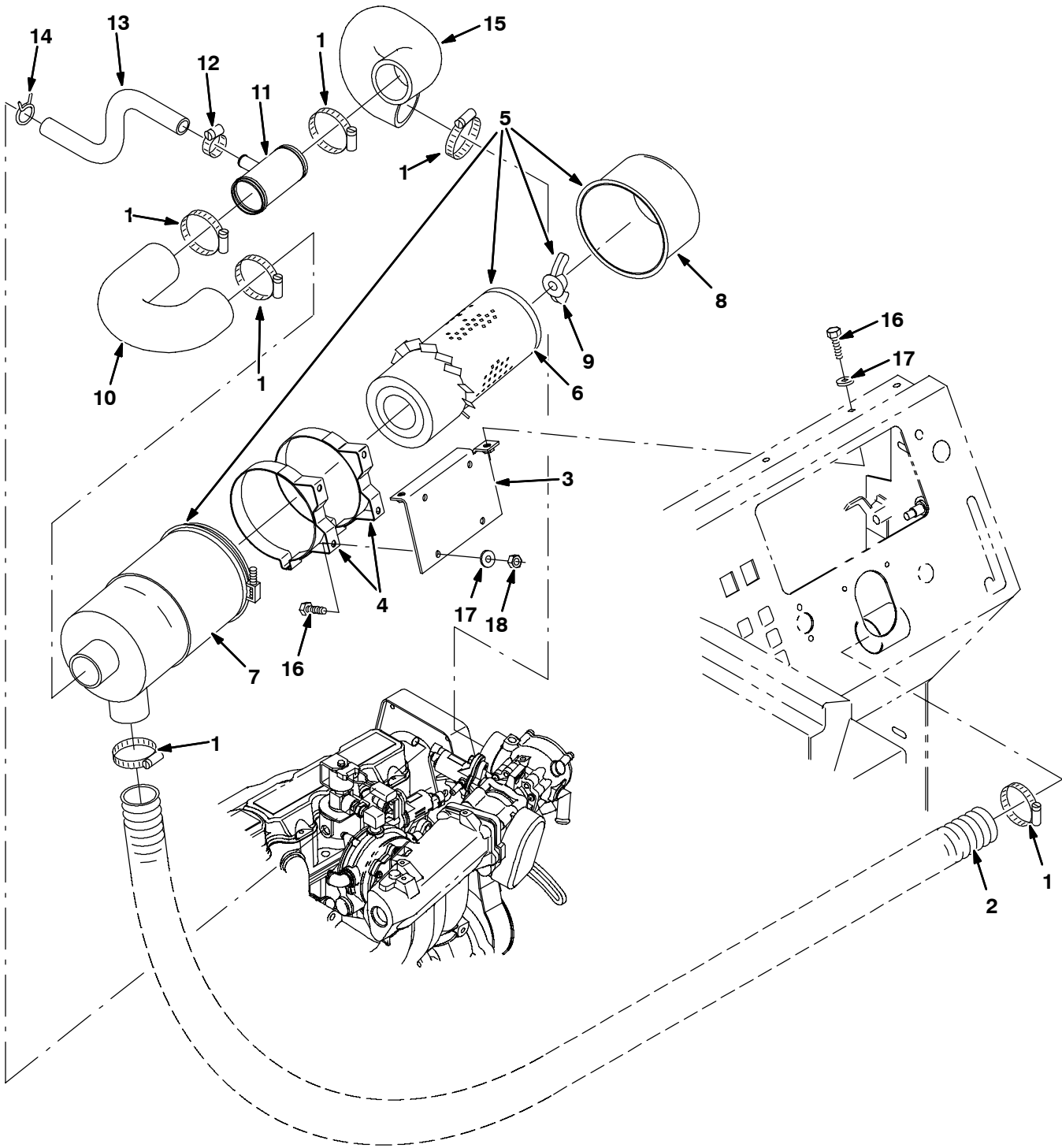


Fig. 29 - Engine Air Cleaner Group, LPG (020000-)

Ref.	Part No.	Serial Number	Description	Qty.	
1	83584	(020000-) Clamp, Hose, Wormdrive, 1.31-3.25D	6	
2	365086	(020000-) Hose, Flex, Vacuum, 2.0D 19.0L	1	
3	1011739	(020000-) Bracket, Cleaner, Air	1	
4	51560-3	(020000-) Clamp, Mtg	2	
▽	5	58538	(020000-) Cleaner, Air	1
▲	6	58120	(020000-) Element, Filter, Air	1
▲	7	02740	(020000-) Clamp	1
▲	8	02741	(020000-) Cup	1
▲	9	07562	(020000-) Nut, Wing, .44-20, Special	1
10	1011761	(020000-) Hose, Intake, Air, Mold, Gas	2	
11	1011780	(020000-) Tube Wldt, Tee	1	
12	63810	(020000-) Clamp, Hose, Wormdrive, 0.56-1.06D	1	
13	1013168	(020000-) Hose, Heater, E90, 0.62ld 05.5 2.0	1	
14	371854	(020000-) Clamp, Spring, 1.50	1	
15	1011757	(020000-) Hose, Intake, Air, Mold	1	
16	06943	(020000-) Screw, Hex, M6X1.0X20, 8.8	6	
17	32483	(020000-) Washer, Flat, 0.25 Sae	6	
18	08708	(020000-) Nut, Hex, Lock, M6X1.0, NI	4	

Fig. 30 - Engine Alternator Group (000000-019999)

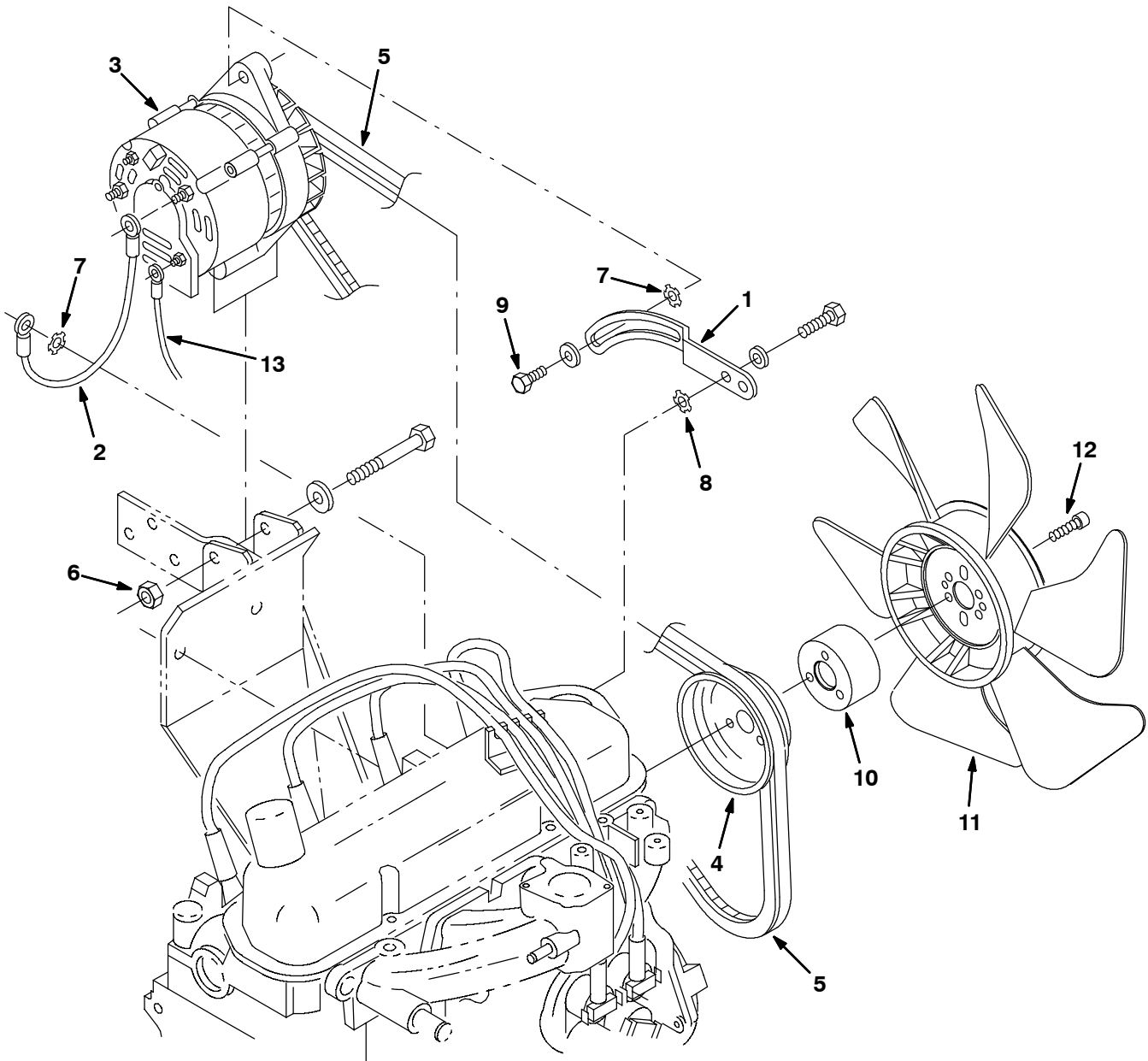


Fig. 30 - Engine Alternator Group (000000-019999)

Ref.	Part No.	Serial Number	Description	Qty.
	1	31526	(000000-019999) Arm	1
	2	82731	(000000-019999) Wire, Ground	1
▽	3	60559	(000000-019999) Alternator	1
▲		61931	(000000-019999) Regulator	1
▲		86041	(000000-019999) Bearing, Ball	1
▲		61529	(000000-019999) Kit, Brush	1
▲		61531	(000000-019999) Rectifier	1
▲		70160	(000000-019999) Pulley	1
	4	30553	(000000-019999) Sheave	1
	5	374516	(000000-019999) Belt, V	1
	6	59156	(000000-019999) Nut, Hex, Lock, .38-16, NI, Ss	1
	7	41142	(000000-019999) Washer, Lock, Int-Ext, .38	2
	8	41141	(000000-019999) Washer, Lock, Int-Ext, .31	1
	9	16953	(000000-019999) Screw, Hex, .31-18 X 0.75,Sems	1
	10	364045	(000000-019999) Spacer, Fan, Gas	1
	11	364042	(000000-019999) Fan, Suction, Rework	1
	12	07255	(000000-019999) Screw, Soc, M06-1.0 X 45, AI	3
	13	9000496	(000000-019999) Wire Kit, Alternator, Ci, [8200/8210]	1

Fig. 31 - Engine Alternator Group (020000-)

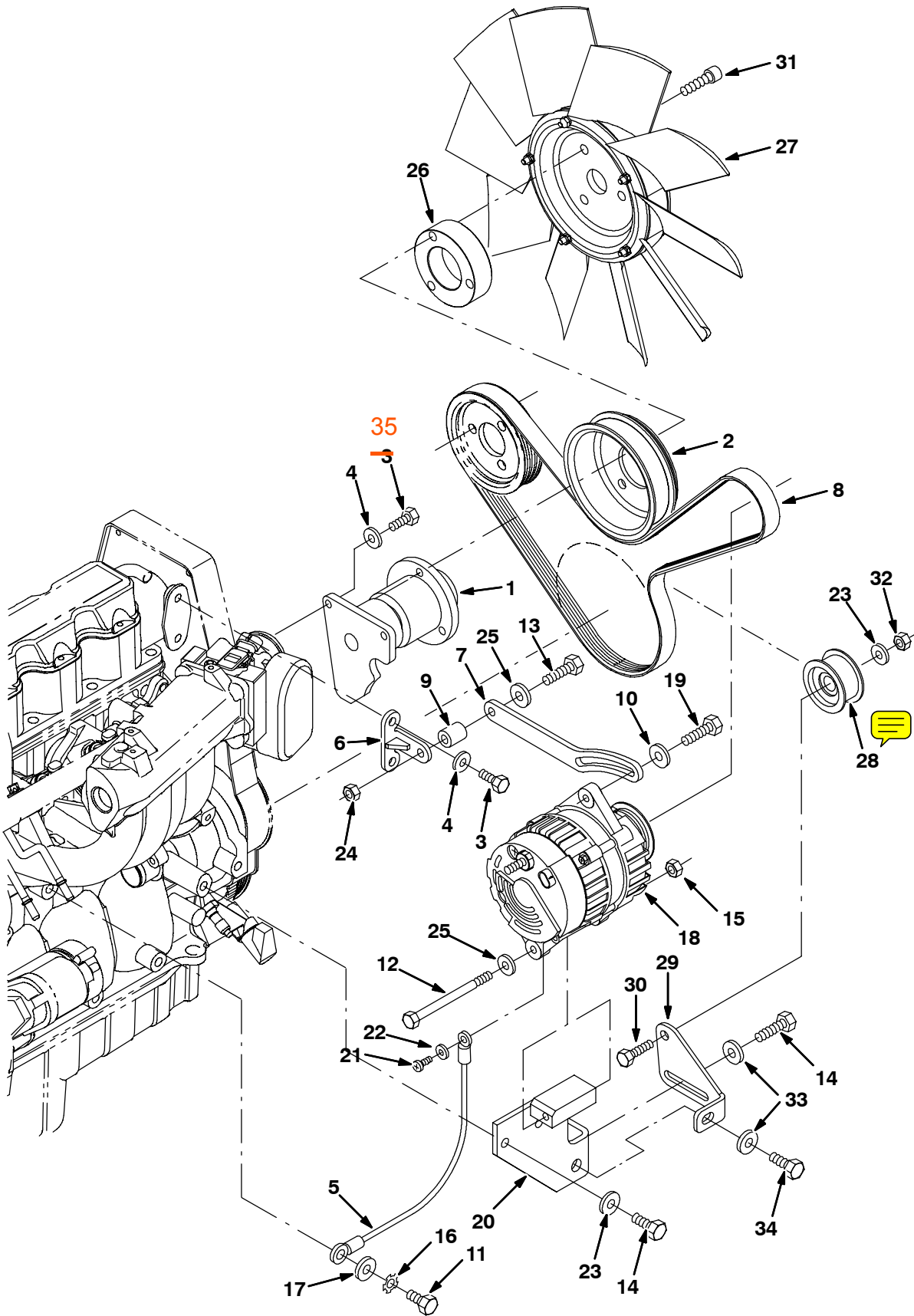


Fig. 31 - Engine Alternator Group (020000-)

Ref.	Part No.	Serial Number	Description	Qty.
1	371863	(020000-) Base Assy, Fan	1
2	1009738	(020000-020170)) Pulley, Fan	1
2	1027299	020000-) Pulley, Fan, Stl	1
3	16931	(020000-) Screw, Hex, M8 X 1.25 X 20, 8.8	4 2
4	371865	(020000-) Washer, Flat, 0.31, Hardened	6
5	371527	(020000-) Wire, Ground	1
6	371871	(020000-) Bracket, Anchor, Strap, Alternator	1
7	371872	(020000-) Strap, Adj, Alternator	1
8	1017314	(020000-) Belt, V, 52.5L	1
9	86031	(020000-) Tube, 00.75d 00.38b 01.3l Stl	1
10	41186	(020000-) Washer, Belleville, .31	1
11	06960	(020000-) Screw, Hex, M10 X 1.5 X 16, 8.8	1
12	39785	(020000-) Screw, Hex, .31-18 X 4.50, 5	1
13	06957	(020000-) Screw, Hex, M8 X 1.25 X 60, 8.8	1
14	06961	(020000-) Screw, Hex, M10 X 1.5 X 20, 8.8	4
15	32983	(020000-) Nut, Hex, Lock, .31-18, NI	1
16	371875	(020000-) Washer, Lock, Int-Ext, .38	1
17	371877	(020000-) Washer, Flat, .38, Hardened	3
18	393209	(020000-) Alternator, 12vdc 075a Multi Groove	1
19	39277	(020000-) Screw, Hex, M8 X 1.25 X 25	1
20	1009810	(020000-) Bracket Wldt, Alternator, [8200]	1
21	42011	(020000-) Screw, Hex, #10-24 X 0.50, Ss	1
22	19066	(020000-) Washer, Flat, #10	1
23	32485	(020000-) Washer, Flat, 0.38 Sae	2
24	08709	(020000-) Nut, Hex, Lock, M8 X 1.25, NI	1
25	39349	(020000-) Washer, Flat, 0.31 Sae	2
26	1006557	(020000-) Spacer, Fan	1
27	1017090	(020000-) Fan	1
1030782	1009660	(020000-) Pulley, Bushing, Assy	1
29	1018599	(020000-) Bracket, Idler	1
30	27988	(020000-) Screw, Hex, .38-16 X 1.50, 5	1
31	19580	(020000-) Screw, Soc, .38-16X2.00, Al	3
32	36643	(020000-) Nut, Hex, Lock, .38-16, NI, Thin	1
33	32492	(020000-) Washer, Flat, 0.38 Std	3
34	763121	(020000-) Screw, Hex, M10X1.5X60, FI	3
35	374174	020000-) SCREW, SOC, M8 X 1.25 X 20, 12.9	2

Fig. 32 - Engine Muffler Group (00000-019999)

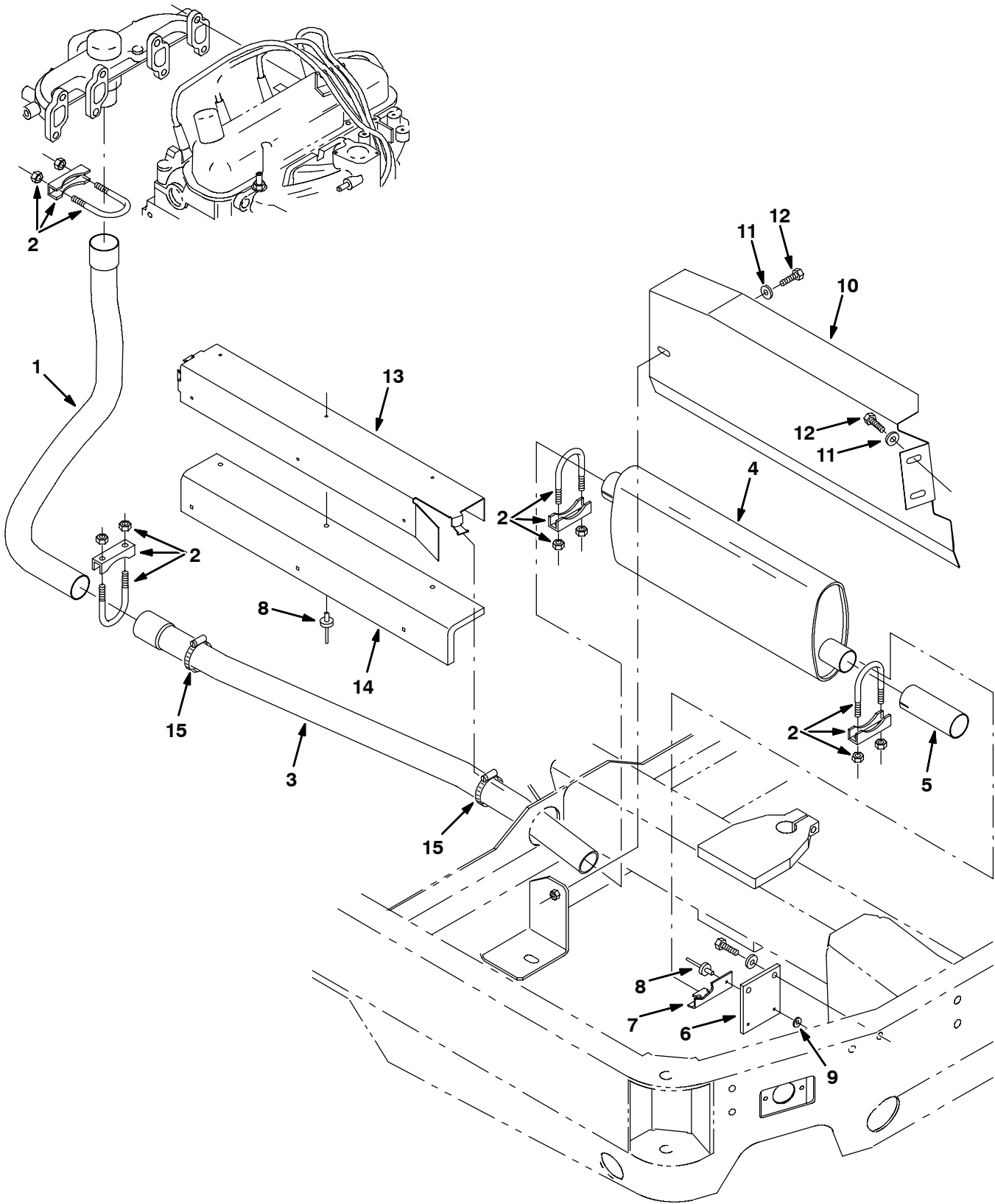


Fig. 32 - Engine Muffler Group (000000-019999)

Ref.	Part No.	Serial Number	Description	Qty.
1	364456	(000000-019999)	Tube, Exhaust, Gas	1
2	24012	(000000-019999)	Clamp, Tube	4
3	364254	(000000-019999)	Tube, Exhaust	1
4	364805	(000000-019999)	Muffler, Exhaust	1
5	364399	(000000-019999)	Tube, Exhaust, Rear	1
6	364383	(000000-019999)	Strap, Hanger, Muffler	1
7	364384	(000000-019999)	Angle, Hanger, Muffler	1
8	68567	(000000-019999)	Rivet, Pop	8
9	68568	(000000-019999)	Washer	2
10	364803	(000000-019999)	Heat Shield	1
11	01685	(000000-019999)	Washer, Flat, .31 Ss	3
12	09740	(000000-019999)	Screw, Hex, M08-1.25 X 20, Ss	3
13	364832	(000000-019999)	Channel, Heat Shield	1
14	364893	(000000-019999)	Insulation	1
15	11531	(000000-019999)	Clamp, Wormdrive	2

Fig. 33 - Engine Muffler Group (020000-)

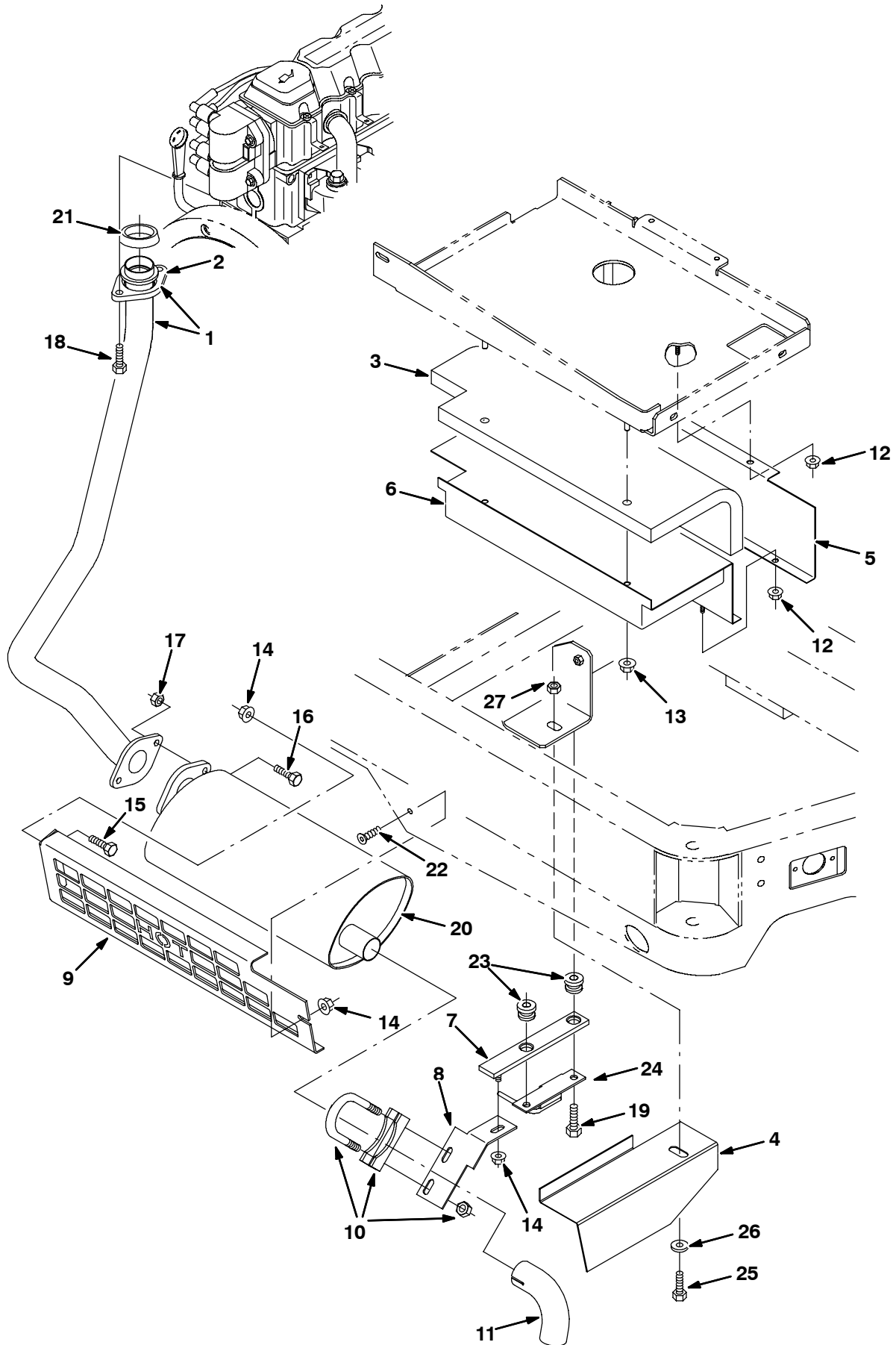


Fig. 33 - Engine Muffler Group (020000-)

Ref.	Part No.	Serial Number	Description	Qty.
▽ 1	1015982	(020000-) Tube, Exhaust	1
▲ 2	1006898	(020000-) Flange, Mtg, Tailpipe, [Gas/Lpg]	1
3	1016833	(020000-) Insulation	1
4	1016075	(020000-) Panel, Shield, Heat	1
5	1015632	(020000-) Panel, Shield, Heat	1
6	1016836	(020000-) Panel Wldt, Shield, Heat	1
7	1015835	(020000-) Strip	1
8	1015836	(020000-) Angle, Mtg, Muffler	1
9	1016817	(020000-) Guard, Muffler	1
10	24012	(020000-) Clamp, Muffler, 1.62d	1
11	33329	(020000-) Tube Wldt, Exhaust, 1.5d	1
12	07790	(020000-) Nut, Hex, Flng, M6 X 1.0	4
13	08165	(020000-) Nut, Hex, Stover, M08 X 1.25	2
14	07791	(020000-) Nut, Hex, Flng, M8 X 1.25	3
15	09740	(020000-) Screw, Hex, M8 X 1.25 X 20, Ss	1
16	03192	(020000-) Screw, Hex, M10 X 1.5 X 30, 8.8	2
17	08166	(020000-) Nut, Hex, Stover, M10 X 1.5	2
18	39284	(020000-) Screw, Hex, M10 X 1.5 X 35, 8.8	2
19	32731	(020000-) Screw, Hex, M10 X 1.5 X 50, Ss	2
20	1016624	(020000-) Muffler, Catalytic [Gm 1.6]	1
21	371861	(020000-) Gasket, Flgn, Pipe Exhaust	1
22	79506	(020000-) Screw, Flt, M8X1.25X30. Ss	1
23	1013590	(020000-) Isolator, Vib, Bshg, 1.1D 0.6L .4B 0.78H	2
24	1018544	(020000-) Retainer, Wldt, Squeegee Hose	2
25	12273	(020000-) Screw, Hex, M8X1.25X20, Ss, NI	1
26	13248	(020000-) Washer, Flat, 0.40B 1.12D .12 Stl, PI	1
27	08713	(020000-) Nut, Hex, Lock, M8X1.25,NI, Ss	1

Fig. 34 - Engine Radiator Group (000000-019999)

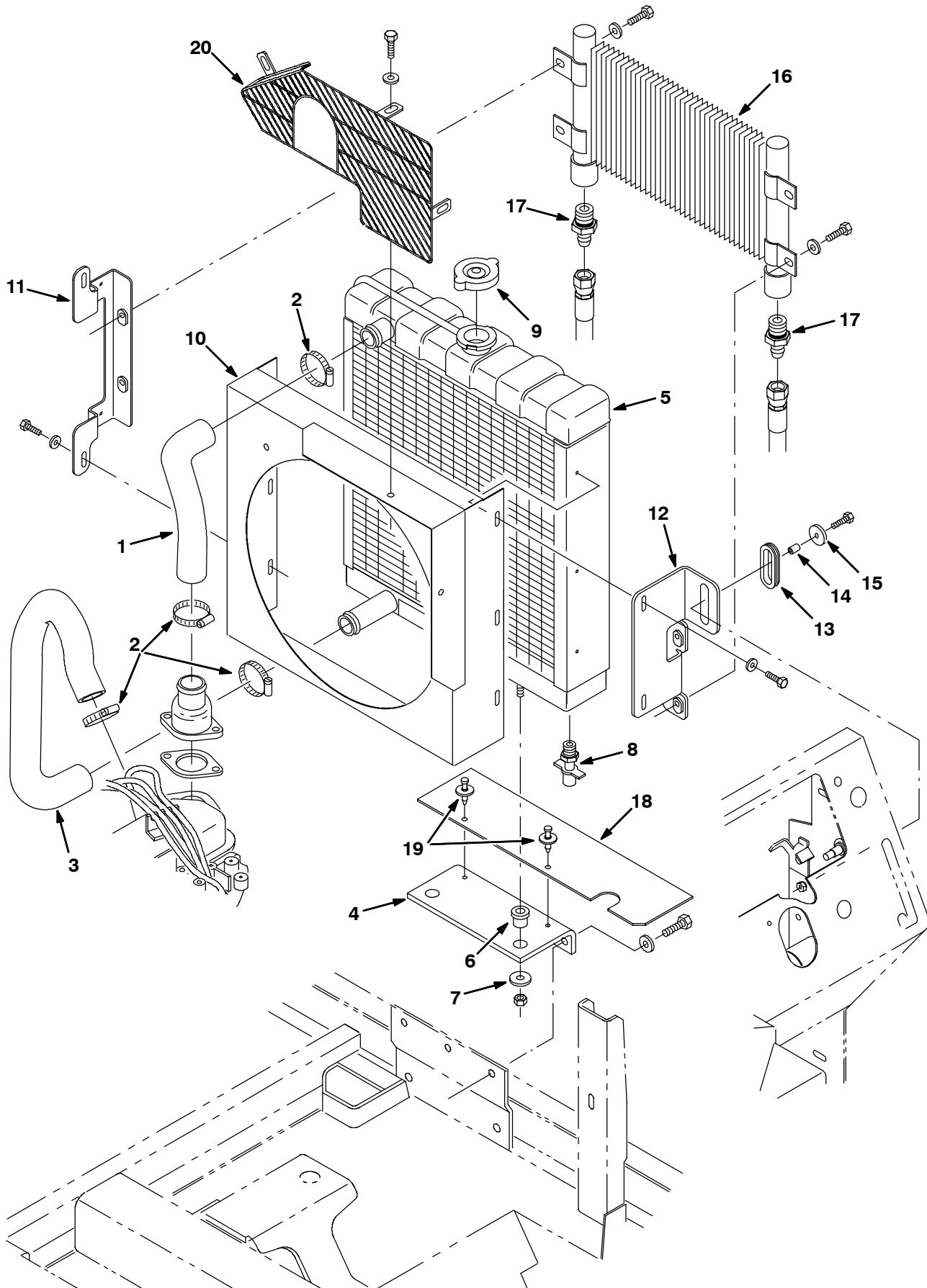
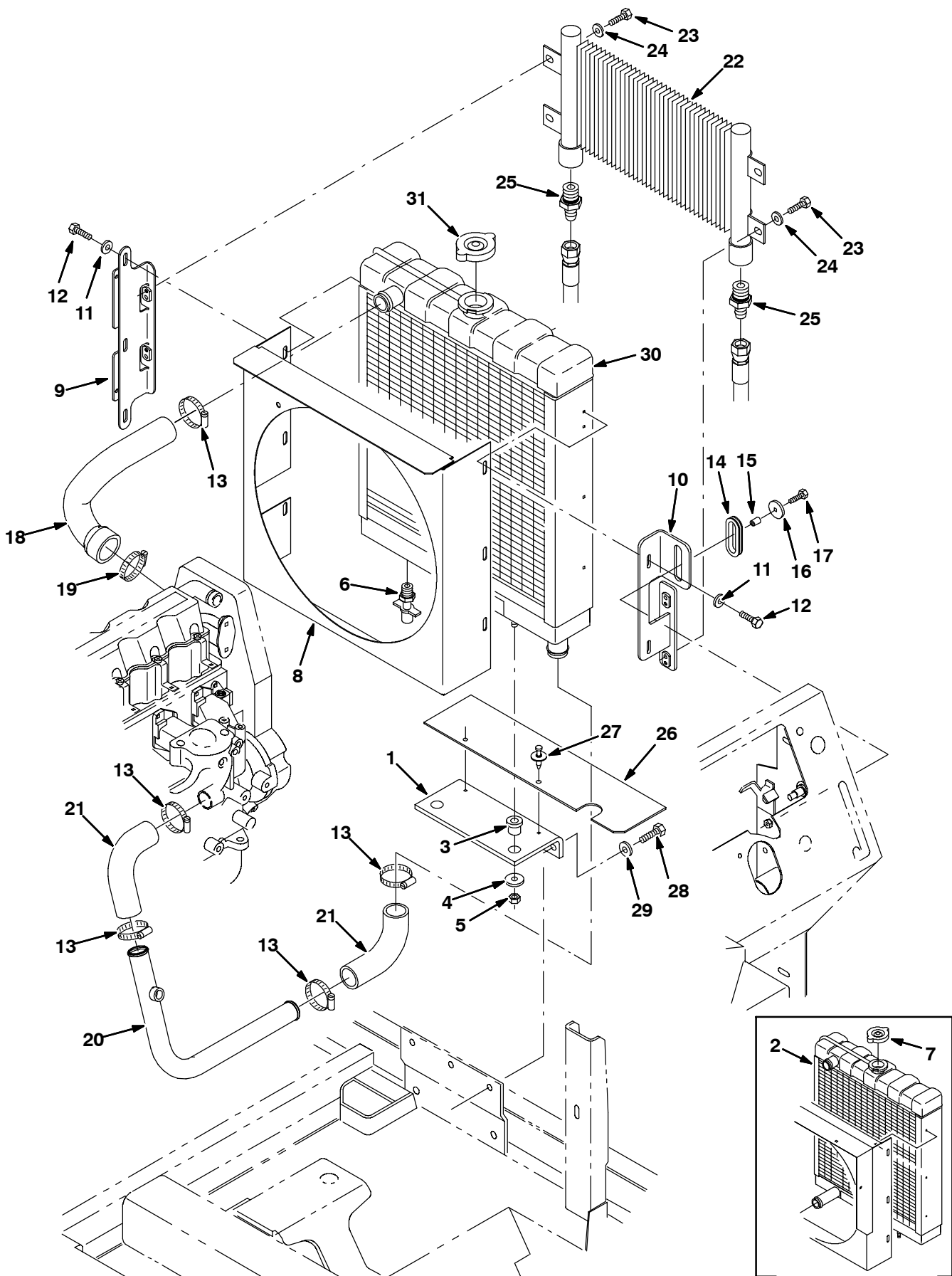


Fig. 34 - Engine Radiator Group (000000-019999)

Ref.	Part No.	Serial Number	Description	Qty.
1	31517	(000000-019999)	Hose, Radiator	1
2	11531	(000000-019999)	Clamp, Wormdrive	4
3	31518	(000000-019999)	Hose, Radiator	1
4	364445	(000000-019999)	Bracket, Radiator	1
5	364396	(000000-019999)	Radiator	1
6	54274	(000000-019999)	Isolator, Vibration	2
7	13248	(000000-019999)	Washer	2
8	54911-32	(000000-019999)	Draincock	1
9	31755	(000000-019999)	Cap, Radiator	1
10	365118	(000000-019999)	Radiator Guard, Gas/Lpg, W/Lab	1
11	364389	(000000-019999)	Bracket, Mtg, Hyd Cooler	1
12	364547	(000000-019999)	Bracket, Radiator	1
13	10632-13	(000000-019999)	Grommet, Rubber	1
14	59881	(000000-019999)	Spacer	1
15	41178	(000000-019999)	Washer, Flat, .25 Fender	1
16	82798	(000000-019999)	Cooler, Oil, Hyd	1
17	42227	(000000-019999)	Fitting, Hyd, Str	2
18	364870	(000000-019999)	Seal, Side Door, Lower	1
19	72968	(000000-019999)	Rivet, Plstc	2
20	365259	(000000-019999)	Guard, Engine Fan	1

Fig. 35 - Engine Radiator Group (020000-)



(Gasoline only)

Fig. 35 - Engine Radiator Group (020000-)

Ref.	Part No.	Serial Number	Description	Qty.
1	1018352	(020000-) Bracket, Angle, Radiator	1
2	364396	(020000-020038) Radiator (Gasoline only)	1
3	54274	(020000-) Isolator, Vib, Bshg, 1.1d 0.6l .4b 0.78h	1
4	13248	(020000-) Washer, Flat, 0.40b 1.12d .12, Stl, Pl	1
5	41430	(020000-) Nut, Hex, Lock, M10 X 1.5, NI	1
6	54911-32	(020000-) Fitting, Draincock, .25npt	1
7	31755	(020000-020038) Cap, Radiator, 07psi	1
8	1018018	(020000-) Shroud, Fan, Radiator, W/Label	1
9	1017577	(020000-) Bracket, Wldt, Radiator	1
10	1011820	(020000-) Bracket, Radiator	1
11	32490	(020000-) Washer, Flat, 0.25 Std	1
12	06942	(020000-) Screw, Hex, M6 X 1.0 X 16, 8.8	1
13	79381	(020000-) Clamp, Hose, Wormdrive, 1.25-2.00d, .50w	5
14	10632-13	(020000-) Grommet, Rbr, 1.50id, F/ 1.8h, .19matl	1
15	59881	(020000-) Tube, 00.38d 00.28b 00.6l Stl	1
16	32490	(020000-) Washer, Flat, 0.25 Std	1
17	06944	(020000-) Screw, Hex, M6 X 1.0 X 25, 8.8	2
18	1011799	(020000-) Hose, Molded, Radiator, Upper	1
19	22297	(020000-) Clamp, Hose, Wormdrive, 1.56-2.50d, .50w	1
20	1011808	(020000-) Tube, Radiator, Lower	1
21	1007482	(020000-) Hose, Rbr, E90 1.25id 1.25id 04.2 3.1	2
22	82798	(020000-) Cooler, Hyd, Gpm Btu Of12 13x07x1	1
23	16735	(020000-) Screw, Hex, M8 X 1.25 X 16, 8.8	4
24	32491	(020000-) Washer, Flat, 0.31 Std	4
25	42227	(020000-) Fitting, Hyd, Str, Jm08/Om12	2
26	364870	(020000-) Seal, Door, Side, Lower	1
27	72968	(020000-) Rivet, Plstc, .250 X 0.898	2
28	39284	(020000-) Screw, Hex, M10 X 1.5 X 35, 8.8	2
29	32492	(020000-) Washer, Flat, 0.38 Std	2
30	1018059AM	(020039-) Radiator, F/1018059 Afmk (Gasoline)	1
31	368132	(020039-) Cap, Radiator, 15psi	1
30	1018059AM	(020000-) Radiator, F 1018059 Afmk (LPG)1	1

Fig. 36 - Engine Radiator Overflow Tank Group, Gasoline (020000-)

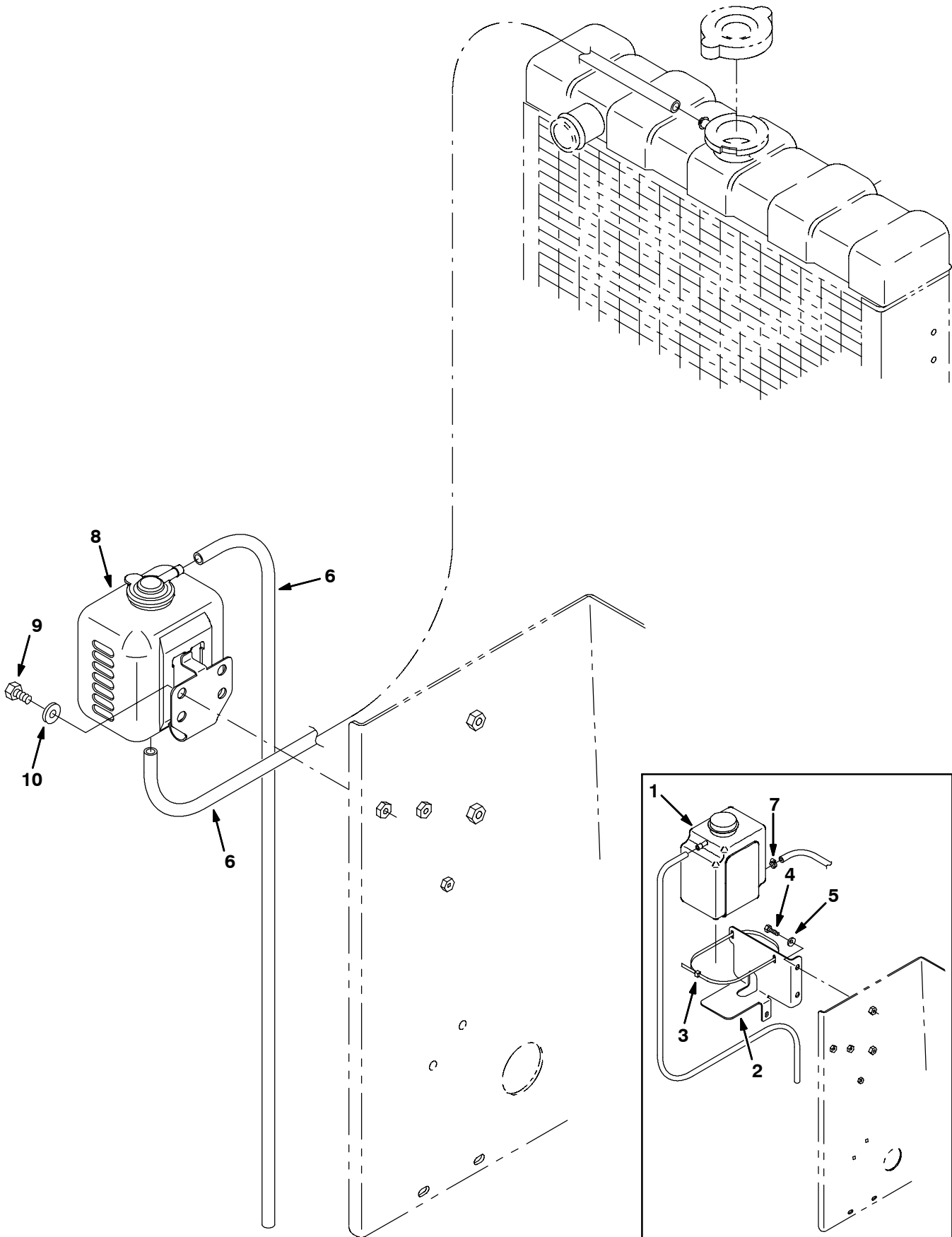


Fig. 36 - Engine Radiator Overflow Tank Group, Gasoline (020000-)

Ref.	Part No.	Serial Number	Description	Qty.
1	768897	(020000-020118)	Tank, Coolant, 06.0 04.5 06.9Deep 2.5 Qt	1
2	1017049	(020000-020118)	Bracket, Tank, Coolant Recvy	1
3	32815	(020000-020118)	Tie, Cable, Nyl, 28.5L 50W 8.0 Max D	1
4	06956	(020000-020118)	Screw, Hex, M8X1.25X45, 8.8	2
5	32490	(020000-020118)	Washer, Flat, 0.25 Std	2
6	1014843	(020000-)	Hose, Recvy, Coolant, 0.31D X 60L	2
7	43844	(020000-020118)	Clamp, Hose, Wormdrive, 0.25-0.62D	2
8	1023853	(020119-)	Tank, Coolant, 04.7 03.3 4.7deep, 1liter	1
9	06941	(020119-)	Screw, Hex, M6 X 1.0 X 10, 8.8	2
10	01683	(020119-)	Washer, Flat, #10, Ss	2

Fig. 37 - Engine Radiator Overflow Tank Group, LPG (020000-)

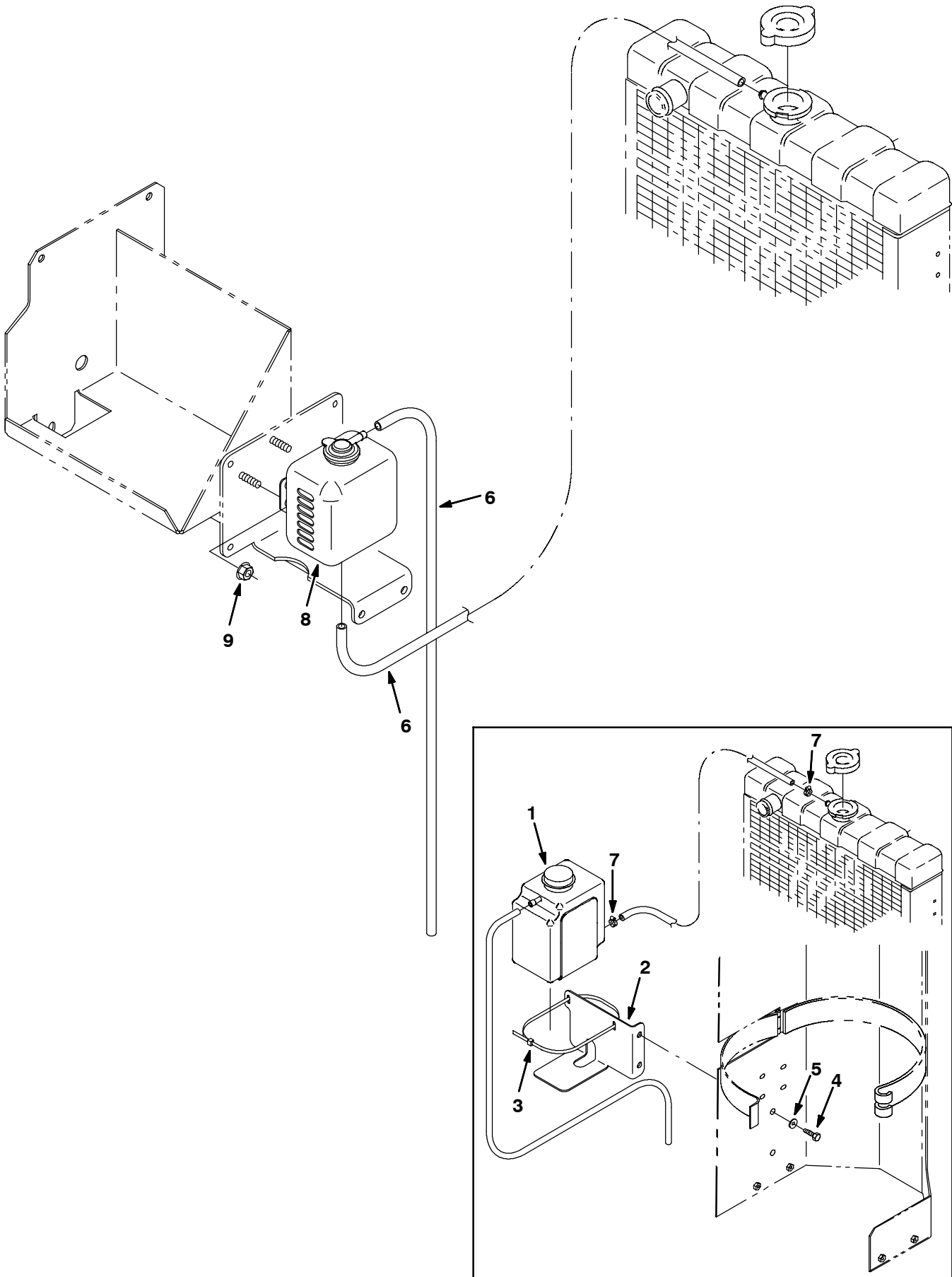


Fig. 37 - Engine Radiator Overflow Tank Group, LPG (020000-)

Ref.	Part No.	Serial Number	Description	Qty.
1	768897	(020000-020118)	Tank, Coolant, 06.0 04.5 06.9Deep 2.5 Qt	1
2	1016918	(020000-020118)	Bracket, Tank, Coolant Recvy	1
3	32815	(020000-020118)	Tie, Cable, Nyl, 28.5L 50W 8.0 Max D	1
4	06956	(020000-020118)	Screw, Hex, M8X1.25X45, 8.8	2
5	32490	(020000-020118)	Washer, Flat, 0.25 Std	2
6	1014843	(020000-	Hose, Recvy, Coolant, 0.31D X 60L	2
7	43844	(020000-020118)	Clamp, Hose, Wormdrive, 0.25-0.62D	2
8	1023853	(020119-	Tank, Coolant, 04.7 03.3 4.7deep, 1liter	1
9	07791	(020119-	Nut, Hex, Flng, M8 X 1.25	2

Fig. 38 - Battery Group

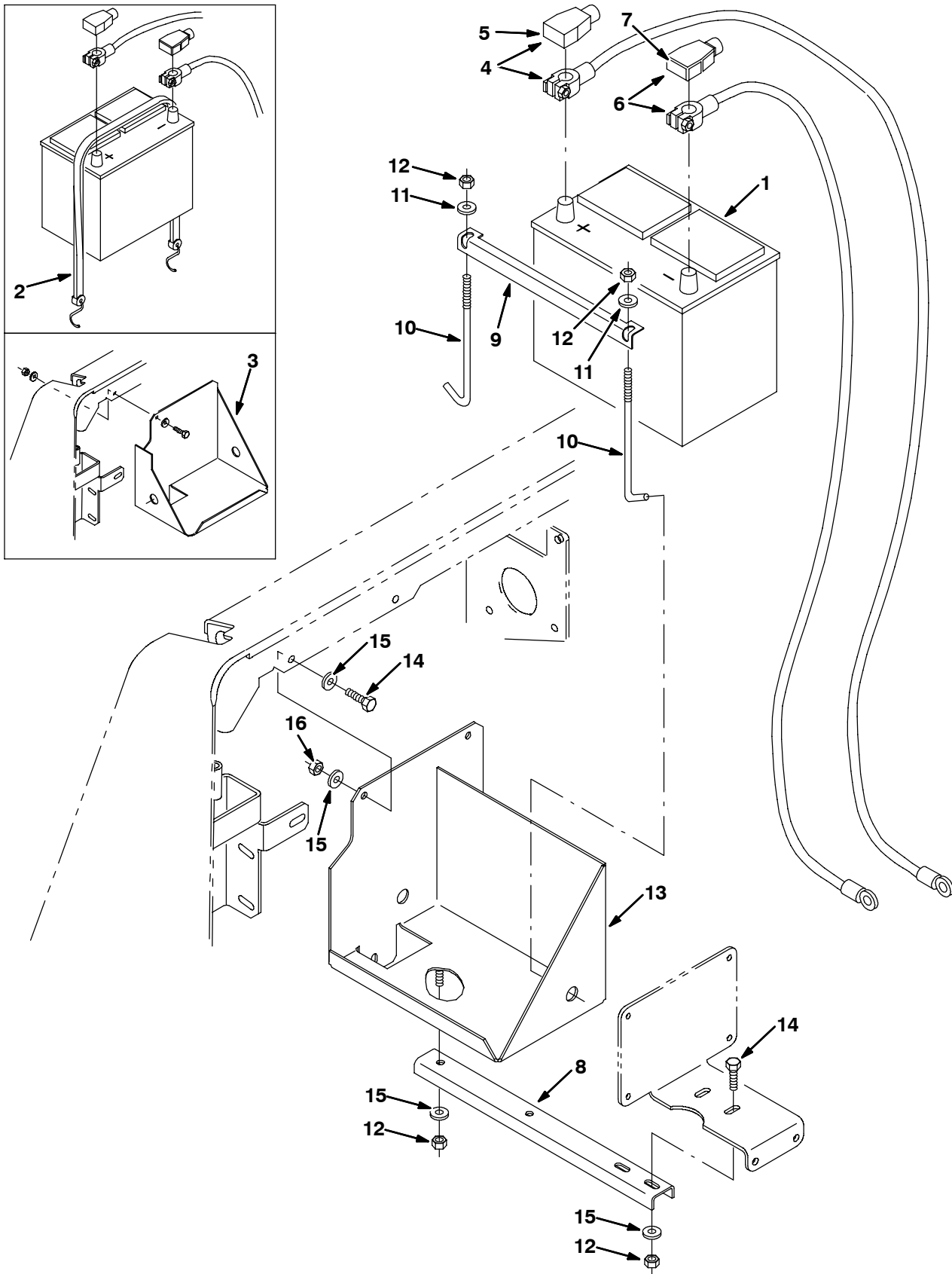


Fig. 38 - Battery Group

Ref.	Part No.	Serial Number	Description	Qty.
	1	10137	(000000-) Battery, 12V, Wet	1
	2	33671	(000000-006102) Strap, Rubber	1
	3	365116	(000000-019999) Tray, Battery, W/Label	1
▽	4	1018459	(000000-) Cable, Battery, Pos, 26.0L, 2/0 Ga	1
▲	5	68873	(000000-) Boot	1
▽	6	68870	(000000-) Cable, Battery, Neg 2Ga 22.0L .41 Hole	1
▲	7	68872	(000000-) Boot	1
	8	1013420	(020000-) Channel, Support, Battery Tray	2
	9	72977	(006103-) Angle, Battery	1
	10	13015	(006103-) Bolt, Hold Down	2
	11	01685	(006103-) Washer, Flt	2
	12	08709	(020000-) Nut, Hex, Lock, M08X1.25, NI	6
	13	1013125	(020000-) Tray, Battery	1
	14	39277	(020000-) Screw, Hex, M8X1.25X25, 8.8	4
	15	32491	(020000-) Washer, Flat, 0.31 Std	8
	16	07791	(020000-) Nut, Hex, Fing, M8X1.25	2

Fig. 39 - Wheels And Brakes Group, Front

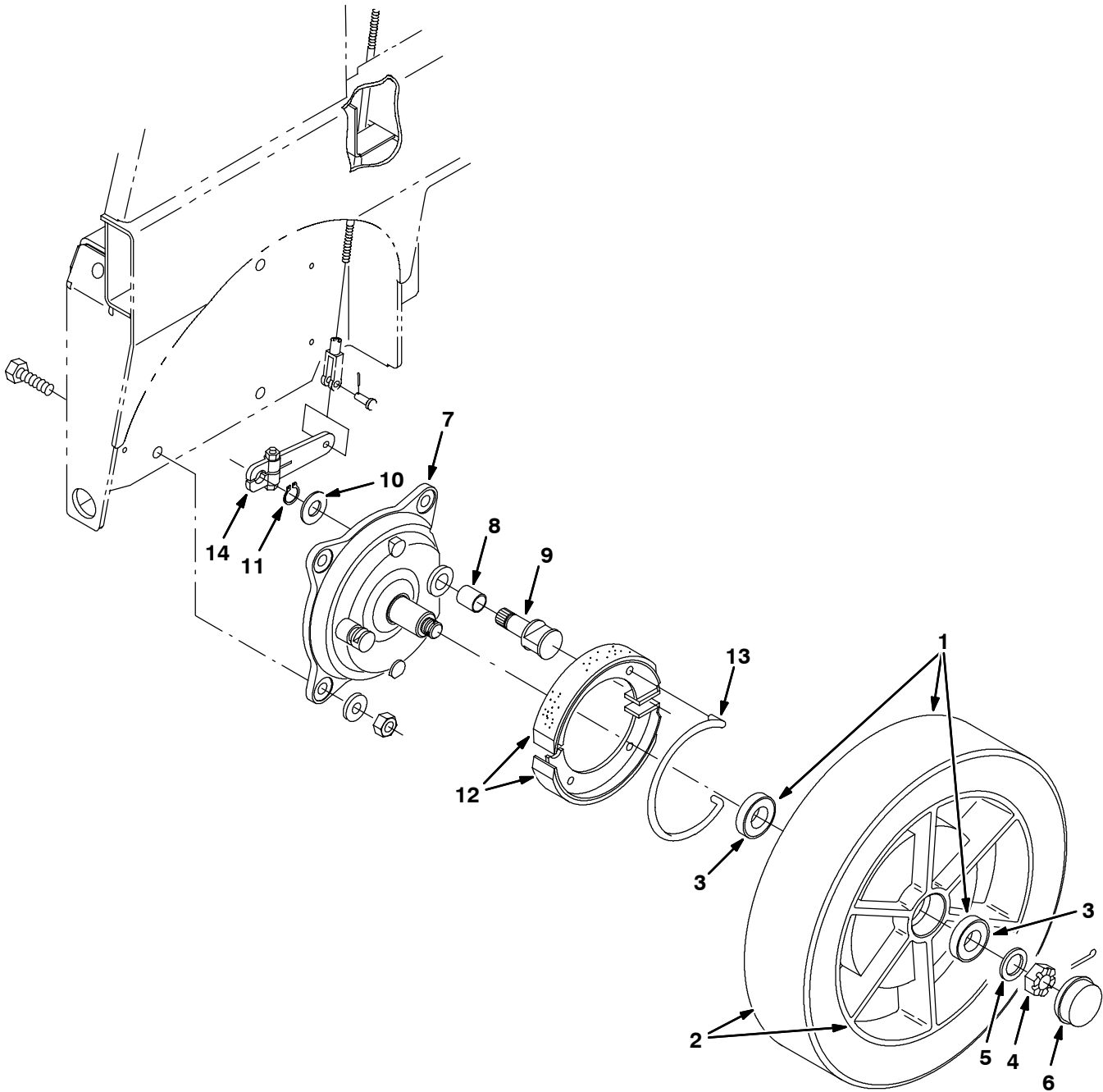


Fig. 39 - Wheels And Brakes Group, Front

	Ref.	Part No.	Serial Number	Description	Qty.
▽	1	360071	(000000-) Wheel and Bearing Assy, Solid	2
▲▽	2	360073	(000000-) Wheel & Tire Assy, Solid	1
▲▲		360072	(000000-) Tire, Solid	1
▲	3	360074	(000000-) Bearing, Ball	2
	4	86659	(000000-) Nut, Hex, Slot, .75-16	2
	5	49145	(000000-) Washer	2
	6	54390	(000000-) Cap, Hub	2
▽		360023	(000000-) Brake Assy	2
▲	7	360270	(000000-) Plate, Backing	1
▲	8	360271	(000000-) Bushing,	1
▲	9	360272	(000000-) Cam, Nickel Plated	1
▲	10	360273	(000000-) Washer, Flat, M20, 21 X37X3	1
▲	11	360274	(000000-) Retainer, Ring	1
▲	12	360275	(000000-) Shoe, Brake	2
▲	13	360276	(000000-) Spring, Return, Brake	1
	14	360802	(000000-) Lever, Brake	2

Fig. 40 - Brake Pedal Group

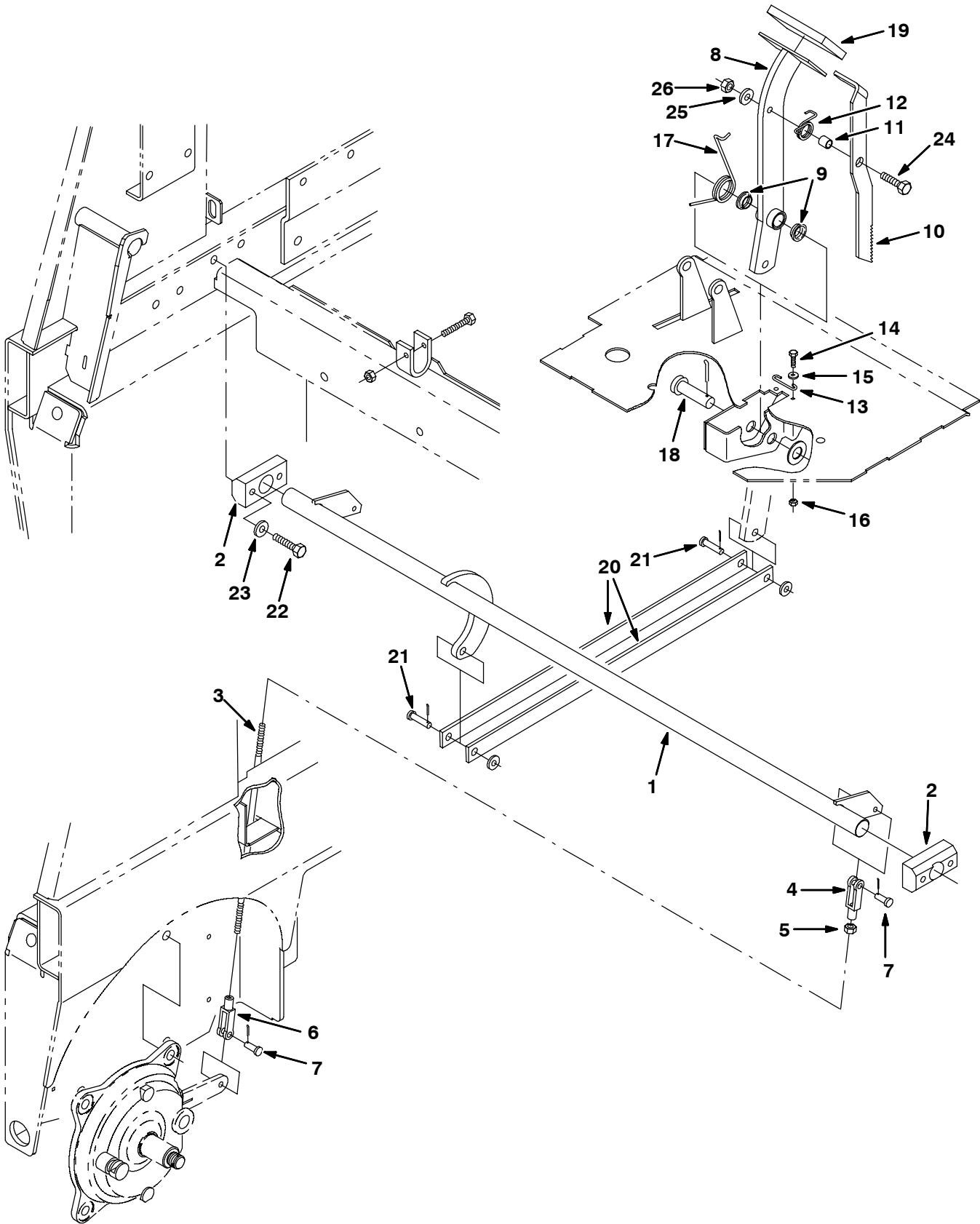


Fig. 40 - Brake Pedal Group

Ref.	Part No.	Serial Number	Description	Qty.
1	364343	(000000-) Shaft Wldt, Brake	1
2	364342	(000000-) Bearing, Brake Shaft	2
3	364347	(000000-) Rod, Link, Brake	2
4	14595-1	(000000-) Clevis	2
5	32899	(000000-) Nut, Hex, Jam, .25-28	2
6	364864	(000000-) Clevis, Adjust, .25-28Lh	2
7	14605	(000000-) Pin, Clevis	4
8	364524	(000000-) Pedal Wldt	1
9	04843	(000000-) Bearing, Flange	2
10	364934	(000000-) Pedal, Brake Lock	1
11	46563	(000000-) Bushing, Sleeve	1
12	59009	(000000-) Spring, Torsion	1
13	97031	(000000-) Spring, Parking Brake	1
14	24199	(000000-) Screw, Hex, M05-0.8 X 16, Ss	2
15	01683	(000000-) Washer, Flat, #10 Ss	2
16	09739	(000000-) Nut, Hex, Lock, M05-0.8, NI,Ss	2
17	54607	(000000-) Spring, Torsion	1
18	222210	(000000-) Pin, Clevis	1
19	51109	(000000-) Pad	1
20	364348	(000000-) Bar, Brake To Pedal	2
21	86240	(000000-) Pin, Clevis	2
22	41342	(000000-) Screw, Hex, M8 X 1.25 X 40, 8.8	4
23	39347	(000000-) Washer, Flat, 1.00 Std	4
24	06955	(000000-) Screw, Hex, M8 X 1.25 X 35, 8.8	1
25	39349	(000000-) Washer, Flat, 0.31 Sae	1
26	08709	(000000-) Nut, Hex, Lock, M8 X 1.25, NI	1

Fig. 41 - Directional Pedal Group

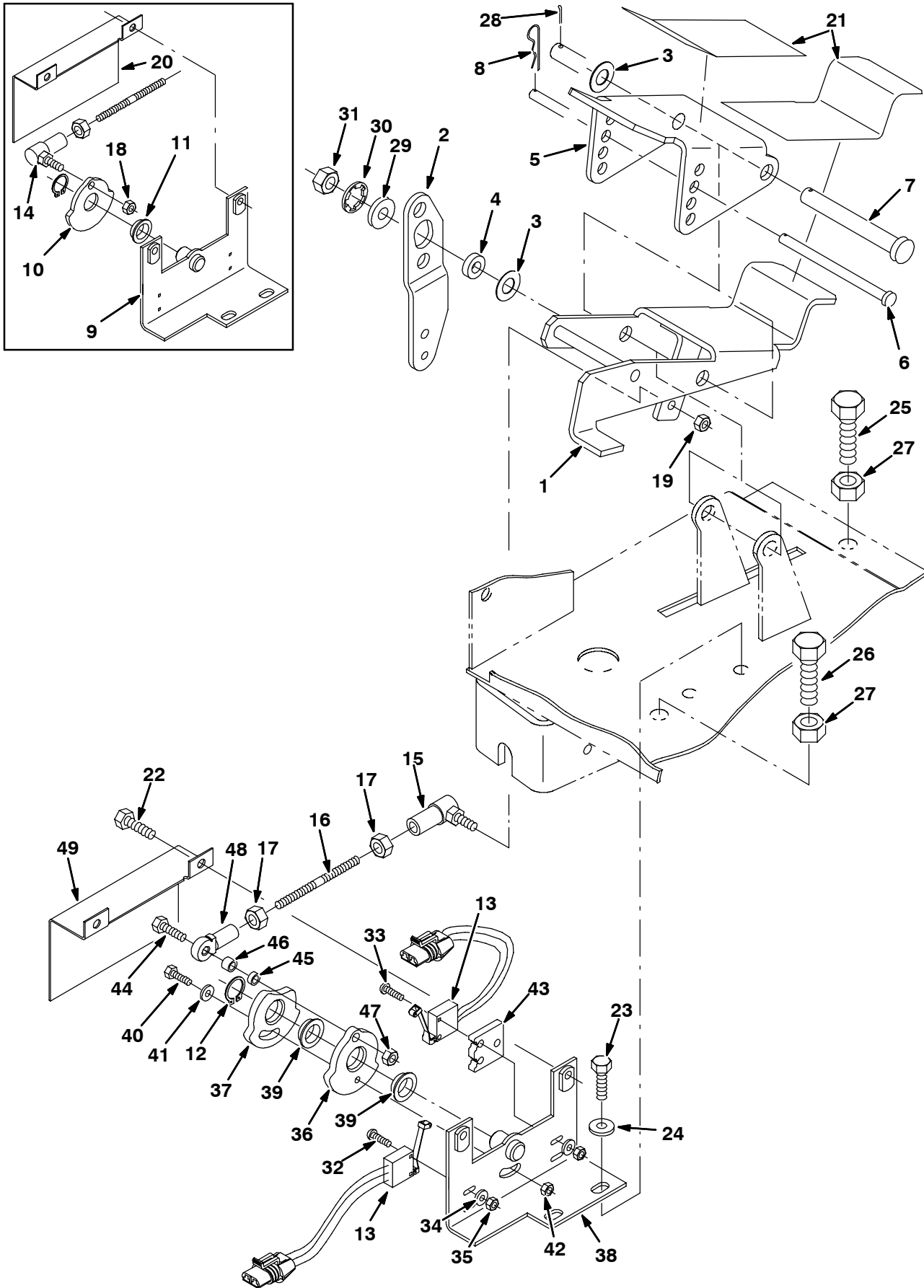


Fig. 41 - Directional Pedal Group

Ref.	Part No.	Serial Number	Description	Qty.
1	364908	(000000-) Pedal Wldt, Lower	1
2	365432	(000000-) Arm	1
3	89710	(000000-) Washer, Nylon	3
4	365188	(000000-) Washer	1
5	75305	(000000-) Pedal, Upper	1
6	59672	(000000-) Pin, Clevis	1
7	222196	(000000-) Pin, Clevis	1
8	97163	(000000-) Pin, Hair Cotter	1
9	364634	(000000-020062) Angle Wldt, Mounting	1
10	364617	(000000-020062) Cam	1
11	04843	(000000-020062) Bearing, Flange	1
12	364671	(000000-) Ring, Retaining	1
13	365090	(000000-) Switch Assy	2
14	14601	(000000-020062) Balljoint	1
15	364951	(000000-) Ball Joint	1
16	364936	(000000-) Stud, Adjusting	1
17	13513	(000000-) Nut, Hex, Lock, .25-28, NI	2
18	32899	(000000-020062) Nut, Hex, Jam, .25-28	1
19	364948	(000000-) Nut, Hex Std	1
20	365074	(000000-020062) Angle, Cover	1
21	75430	(000000-) Pad	1
22	87308	(000000-) Screw, Hex, M6 X 1.0 X 12, 8.8	2
23	16931	(000000-) Screw, Hex, M8 X 1.25 X 20, 8.8	2
24	32491	(000000-) Washer, Flat, 0.31 Std	2
25	16930	(000000-) Screw, Hex, M10 X 1.5 X 50, 8.8	1
26	06963	(000000-) Screw, Hex, M10 X 1.5 X 60, 8.8	1
27	39312	(000000-) Nut, Hex, Std, M10 X 1.5	2
28	97163	(000000-) Pin, Hair Cotter, 13mm D 3mm Wir	1
29	32492	(000000-) Washer, Flat, 0.38 Std	1
30	32485	(000000-) Washer, Flat, 0.38 Sae	1
31	08709	(000000-) Nut, Hex, Lock, M8 X 1.25, NI	1
32	06922	(000000-) Screw, Pan, M3 X 0.5 X 20, 4.8	1
33	06924	(000000-) Screw, Pan, M3 X 0.5 X 30, 4.8	1
34	01757	(000000-) Washer, Lock, Int, M3 Ss	2
35	01754	(000000-) Nut, Hex, Std, M3 X 0.5, 8	2
36	1018940	(020063-) Cam	1
37	1018964	(020063-) Cam	1
38	1018983	(020063-) Bracket Wldt, Mtg, Cam Switch	1
39	04843	(020063-) Bushing, Flng, 0.63b 0.72d 0.25l	2
40	06943	(020063-) Screw, Hex, M6 X 1.0 X 20, 8.8	1
41	19066	(020063-) Washer, Flat, #10	1
42	41359	(020063-) Nut, Hex, Std, M6 X 1.0, 8	1
43	1019040	(020063-) Spacer, Switch, Cam, Propel, [8200/8210]	1
44	25048	(020063-) Screw, Hex, .25-20 X 1.50, 5	1
45	80491	(020063-) Sleeve, P/M, 0.375d 0.250b 0.16l 430ss	1
46	65441	(020063-) Tube, 00.38d 00.26b 00.3l Stl Plt	1
47	32981	(020063-) Nut, Hex, Lock, .25-20, NI	1
48	68866	(020063-) Rod-End, .25-28rh Fem 0.25b [Teflon]	1
49	1023823	(020063-) Cover, Cam Linkage, [8210]	1

Fig. 42 - Wheel Group, Rear Drive

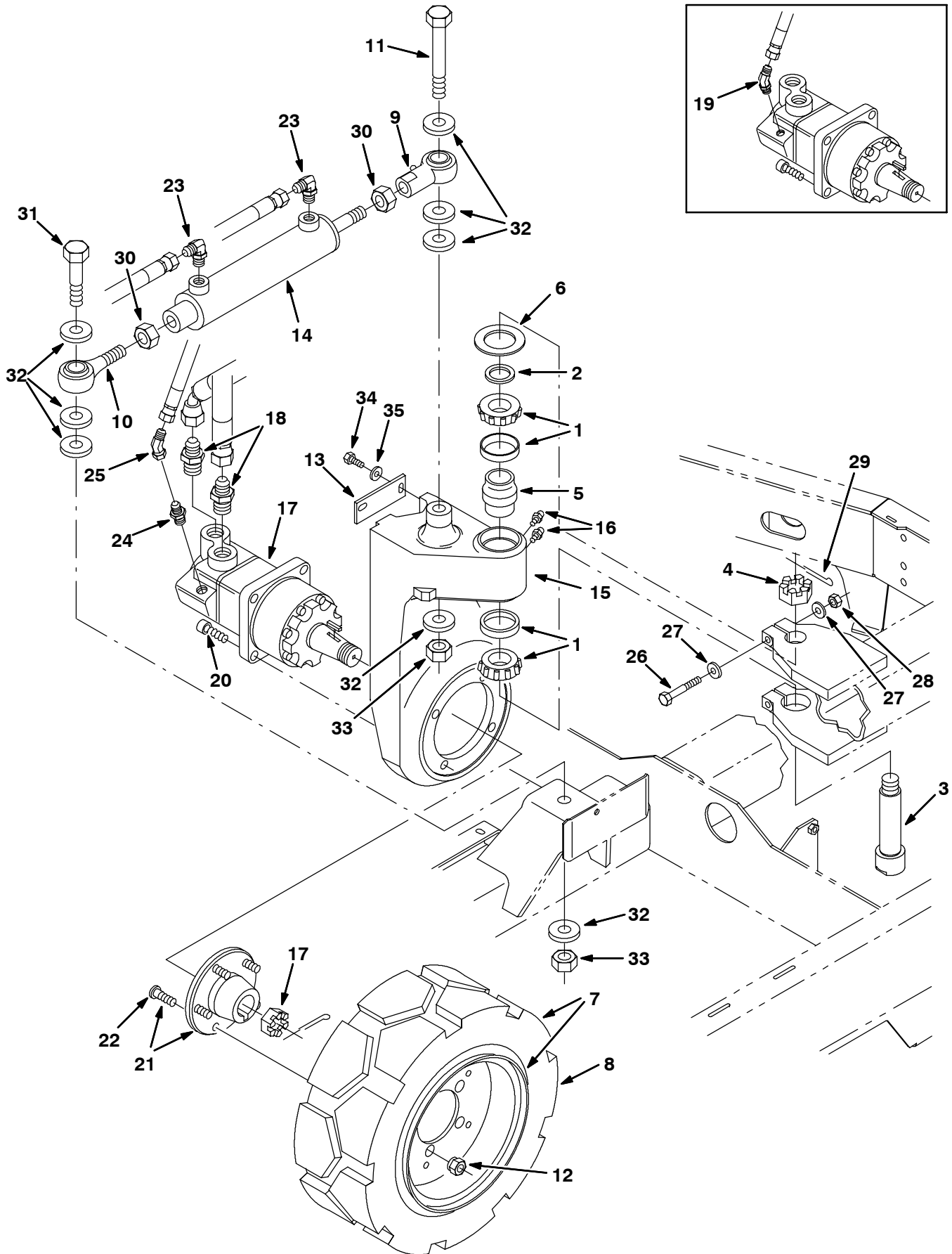


Fig. 42 - Wheel Group, Rear Drive

Ref.	Part No.	Serial Number	Description	Qty.	
1	49225	(000000-) Bearing, Cup, Cone	2	
2	47719	(000000-) Washer	1	
3	364861	(000000-) Pin, Pivot	1	
4	14242	(000000-) Nut, Hex, Slot, 1.00-20	1	
5	364826	(000000-) Seal, Grease Cavity	1	
6	364827	(000000-) Washer, Felt	1	
▽	7	365020	(000000-) Tire, Assy Solid Scrubber	1
▲	8	48589	(000000-) Tire 16.25X6.00X11.25 Non Skid	1
9	64887	(000000-) Rod-end, .75-16rh Fem 0.75b	1	
10	64886	(000000-) Rod-end, .75-16rh Mal 0.75b [Teflon]	1	
11	360152	(000000-) Screw, Hex, .75-10 X 5.00, G5	1	
12	24339	(000000-) Nut, Wheel, .50-20 X 60 Angle	5	
13	58842	(000000-) Plate	1	
14	53601	(000000-) Cylinder, Hyd	1	
15	364863	(000000-) Housing, Support, Drive	1	
16	47801	(000000-) Fitting, Grease	2	
17	22604	(000000-019999) Motor, Hyd Gear (See Breakdowns)	1	
17	379609	(020000-) Motor, Hyd Gear (See Breakdowns)	1	
18	42223	(000000-) Fitting, Hyd, Str	2	
19	34359	(000000-019999) Fitting, Hyd, Elbow	1	
20	19583	(000000-) Screw, Soc, .50-13 X 1.50, Al	4	
▽	21	54087	(000000-) Hub & Stud	1
▲	22	32126	(000000-) Stud, Wheel .50-20 X 1.50 Pltd	5
23	56820	(000000-) Fitting, Hyd, Elbow	2	
24	55685	(020000-) Fitting, Hyd Str, Jm04/Om06	1	
25	68441	(020000-) Fitting, Hyd E45, Jf04/Jm06	1	
26	06964	(000000-) Screw, Hex, M10 X 1.5 X 70, 8.8	2	
27	32485	(000000-) Washer, Flat, 0.38 Sae	4	
28	08714	(000000-) Nut, Hex, Lock, M10 X 1.5, NI, Ss	2	
29	08171	(000000-) Pin, Cotter, .156 X 2.00	1	
30	43958	(000000-) Nut, Hex, Std, .75-16	2	
31	77345	(000000-) Screw, Hex, .75-10 X 3.25, 5	1	
32	39350	(000000-) Washer, Flat, 0.75 Sae	7	
33	32987	(000000-) Nut, Hex, Lock, .75-10, NI	2	
34	16931	(000000-) Screw, Hex, M8 X 1.25 X 20, 8.8	2	
35	32491	(000000-) Washer, Flat, 0.31 Std	2	

Fig. 43 - Hopper Lift Arms Group

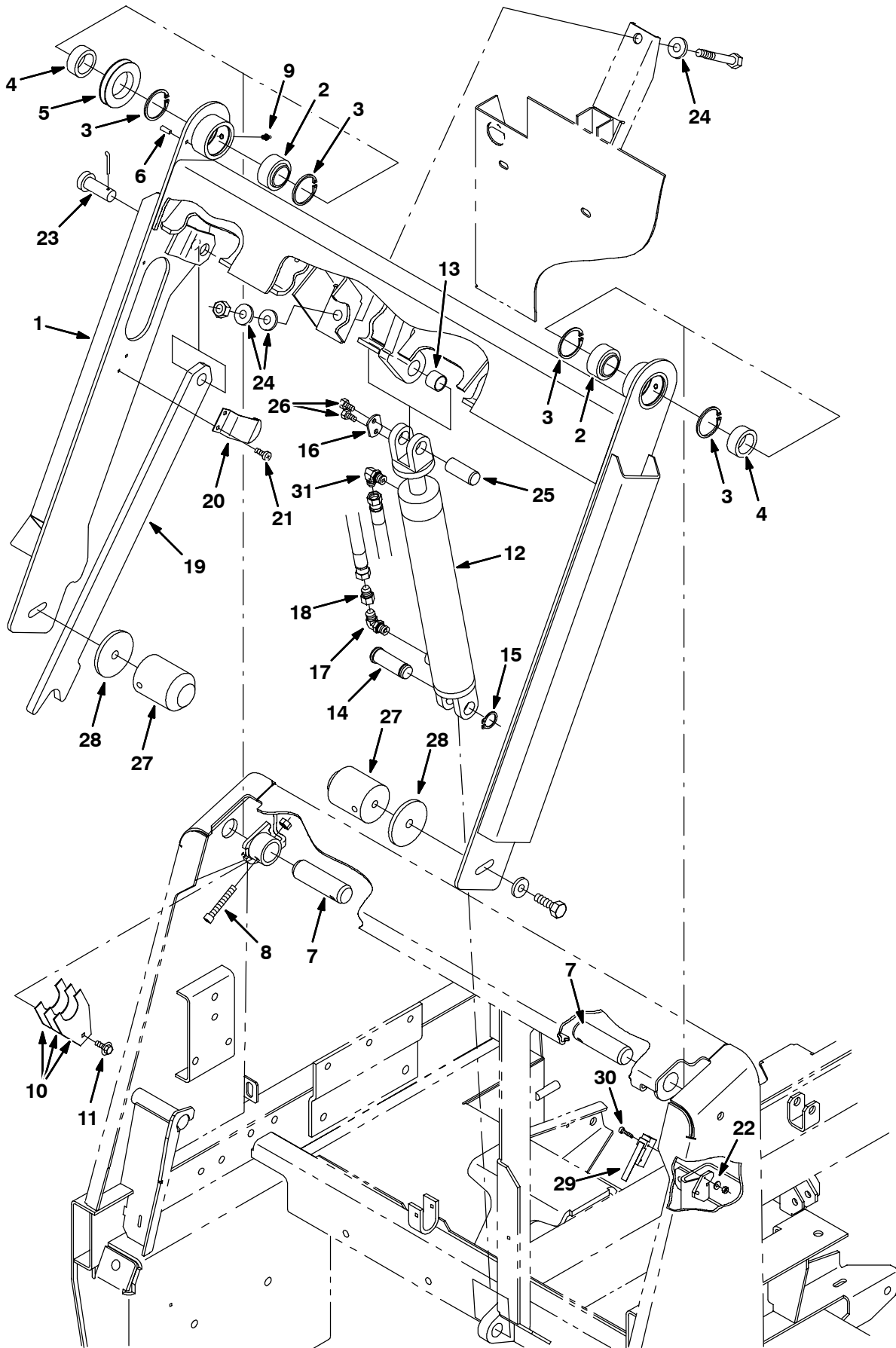


Fig. 43 - Hopper Lift Arms Group

Ref.	Part No.	Serial Number	Description	Qty.
1	365115	(000000-019999)	Arm Assy, Lift, W/Label	1
1	1018033	(020000-)	Arm, Lift, Hppr, W/Label [8200]	1
2	42120-1	(000000-)	Bearing, Self Align	2
3	59542	(000000-)	Ring, Retaining	4
4	360455	(000000-)	Sleeve	2
5	360077	(000000-)	Sheave	1
6	17404	(000000-)	Pin	1
7	360064	(000000-)	Pin	2
8	09294	(000000-)	Screw, Soc, M08-1.25 X 60, Al	2
9	07259	(000000-)	Fitting, Grease	2
10	360768	(000000-)	Plate, Spacer, Lift Arm	6
11	12459	(000000-)	Screw, Hex, Fmg, M06-1.0 X 20	2
12	379120	(000000-)	Cylinder, Hyd	1
13	364587	(000000-)	Bearing, Journal .875 X .75L	1
14	73077	(000000-)	Pin, Clevis	1
15	72899	(000000-)	Ring, Retaining	1
16	72897	(000000-)	Plate, Pin, Clevis, Upper	1
17	77097	(000000-)	Fitting, Hyd, Elbow	1
18	79447	(000000-)	Fitting, Hyd	1
19	365114	(000000-)	Arm, Safety, W/Label	1
20	364672	(000000-)	Clip, Spring, Prop Arm	1
21	48732	(000000-)	Screw, Pan, M06-1.0 X 10, Ss	2
22	39658	(000000-)	Washer, Lock, Int, #04	2
23	02141	(000000-)	Pin, Clevis	1
24	36328	(000000-)	Washer, Belleville, .50	3
25	72898	(000000-)	Pin, Clevis	1
26	11329	(000000-)	Screw, Hex, M06-1.0 X 16, Ss	2
27	364498	(000000-)	Pin, Hopper, Lift	2
28	72159	(000000-)	Washer, .562B 3.03 D .25Hr	2
29	1008142	(000000-)	Switch, Snap Actn, 250Vdc 25A Spdt	1
30	33933	(000000-)	Screw, Pan, M03-0.5 X 25, Ss	2
31	77098	(000000-)	Fitting, Hyd, Elbow	1

Fig. 44 - Hopper Group

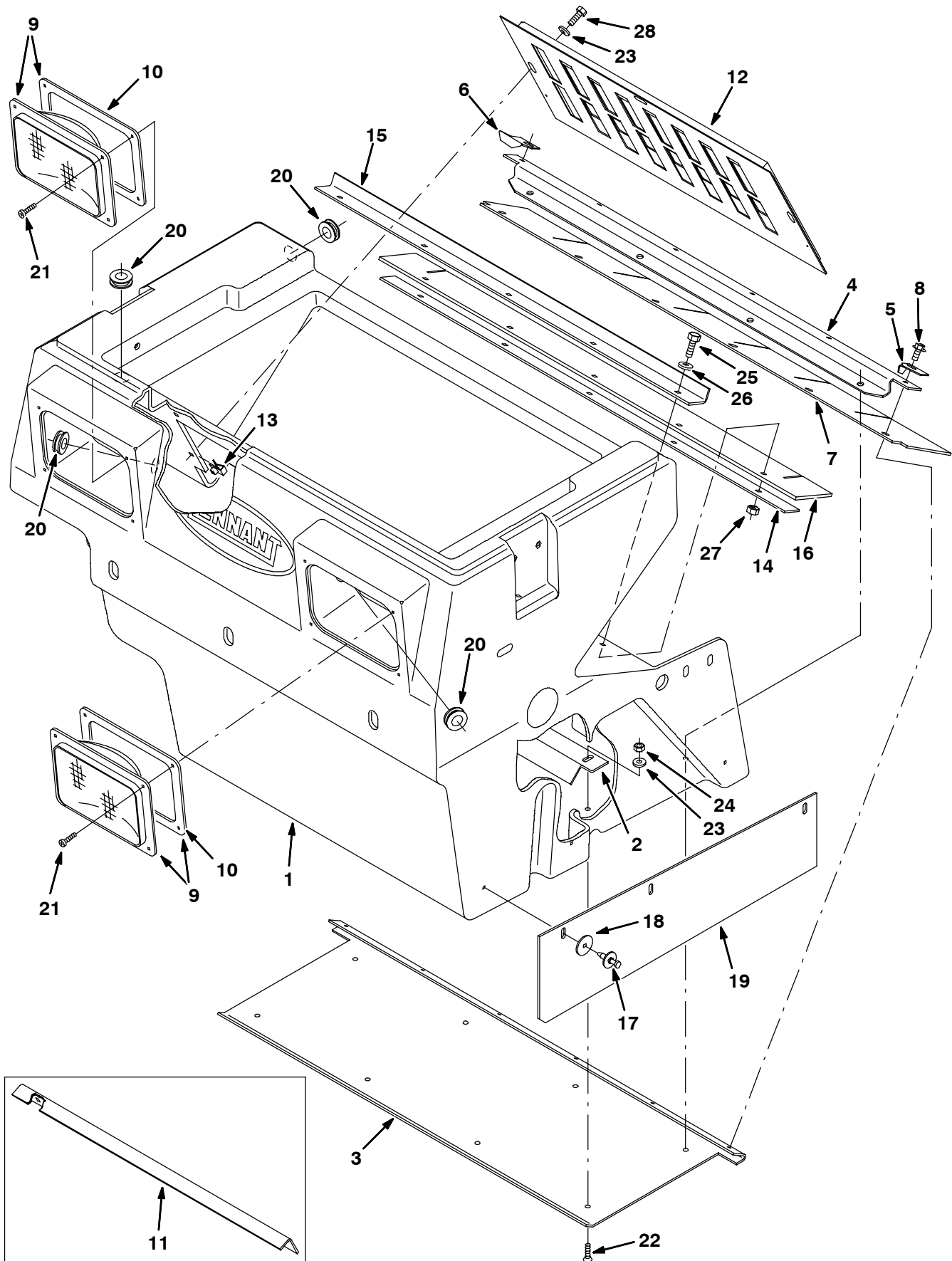


Fig. 44 - Hopper Group

Ref.	Part No.	Serial Number	Description	Qty.	
1	364280	(000000-) Hopper	1	
2	364474	(000000-) Bracket, Hopper Bottom	1	
3	364482	(000000-) Plate, Hopper, Wear	1	
4	364473	(000000-) Bracket, Hopper, Lip	1	
5	360893	(000000-) Deflector, Hopper, Lh	1	
6	360894	(000000-) Deflector, Hopper, Rh	1	
7	364462	(000000-) Skirt, Lip	1	
8	361339	(000000-) Screw, Hex 6X 1.0 16 Pltd	6	
▽	9	360822	(000000-) Headlight	2
▲	45779	(000000-) Lamp	1	
▲	10	360604	(000000-) Seal, Headlight	1
	11	364723	(000000-006095)	Bracket, Hopper, Upper	1
	12	365248	(000000-006095)	Panel Kit, Perma-Filter	1
	12	365247	(006096-) Panel Wldt, Perma-Filter	1
	13	365082	(000000-) Nut, U M 6X1.0	3
	14	364461	(000000-) Strip, Retainer	1
	15	364515	(000000-) Bracket, Hopper, Support	1
	16	364516	(000000-) Seal, Hopper Door	1
	17	72968	(000000-) Rivet, Plstc	3
	18	41178	(000000-) Washer, Flat, .25 Fender	3
	19	364960	(000000-) Skirt, Side Brush	1
	20	10632-18	(000000-) Grommet, Rubber	4
	21	360943	(000000-) Screw, Pan, #10-14 X 0.75,	8
	22	06415	(000000-) Screw, Flt, M6 X 1.0 X 25, 10.9	8
	23	32490	(000000-) Washer, Flat, 0.25 Std	11
	24	08708	(000000-) Nut, Hex, Lock, M6 X 1.0, NI	8
	25	76570	(000000-) Screw, Hex, M8 X 1.25 X 30, 8.8	5
	26	32491	(000000-) Washer, Flat, 0.31 Std	5
	27	08709	(000000-) Nut, Hex, Lock, M8 X 1.25, NI	5
	28	06944	(000000-) Screw, Hex, M6 X 1.0 X 25, 8.8	3

Fig. 45 - Hopper Cover And Bumper Group

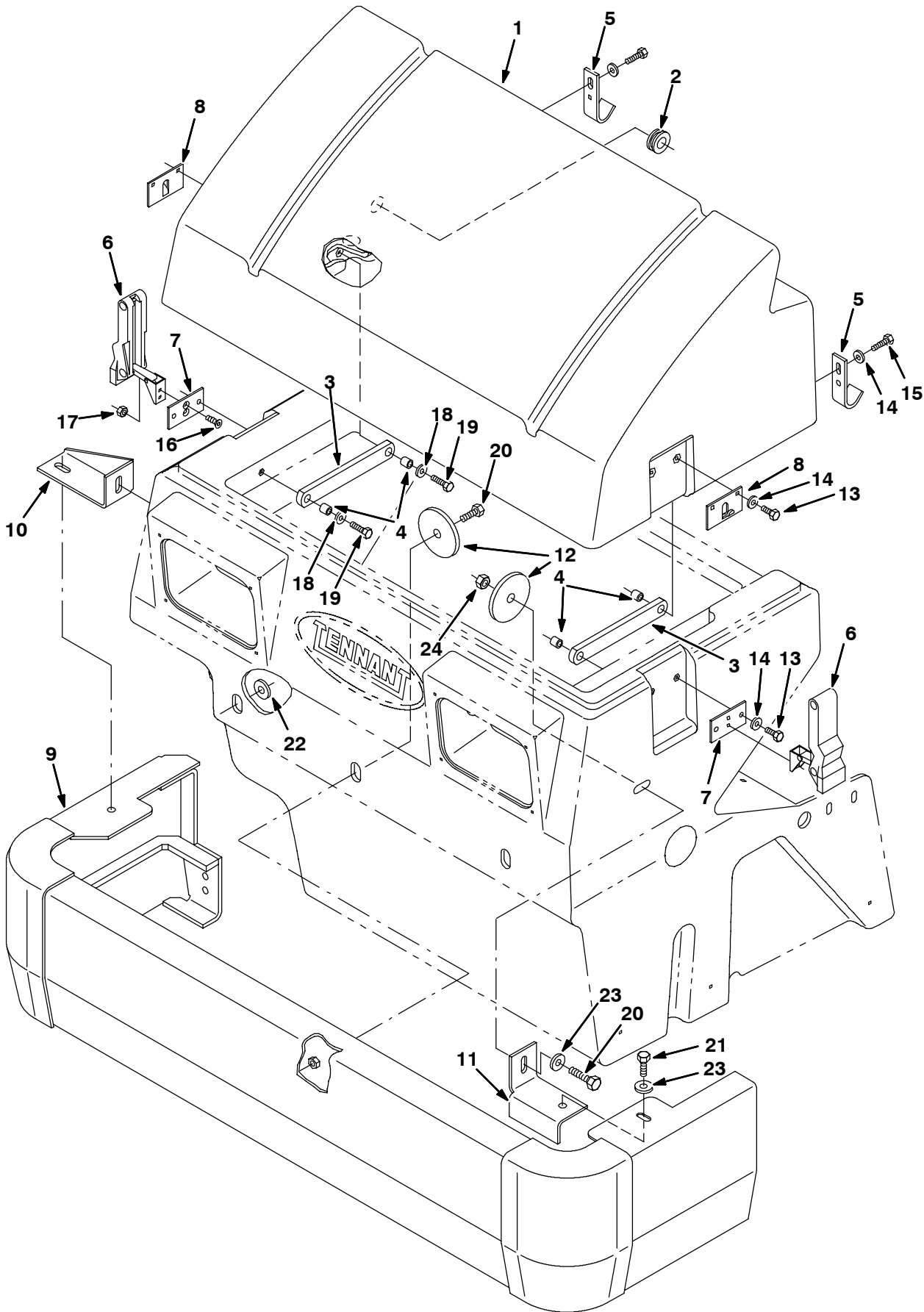


Fig. 45 - Hopper Cover And Bumper Group

Ref.	Part No.	Serial Number	Description	Qty.
1	364250	(000000-) Cover, Hopper	1
2	10632-18	(000000-) Grommet, Rubber	1
3	364481	(000000-) Arm, Pivot	2
4	222460	(000000-) Sleeve	4
5	364802	(000000-) Guide, Filter Cover	2
6	360824	(000000-) Latch, Hopper	2
7	364470	(000000-) Plate, Latch, Lower	2
8	364471	(000000-) Plate, Latch, Upper	2
9	364496	(000000-) Bumper Wldt, Front	1
10	364489	(000000-) Bracket, Bumper, Mtg, Rh	1
11	364488	(000000-) Bracket, Bumper, Mtg, Lh	1
12	72159	(000000-) Washer, .562B 3.03 D .25Hr	5
13	87308	(000000-) Screw, Hex, M6 X 1.0 X 12, 8.8	8
14	32483	(000000-) Washer, Flat, 0.25 Sae	12
15	06942	(000000-) Screw, Hex, M6 X 1.0 X 16, 8.8	4
16	360826	(000000-) Screw, Flt, M5 X 0.8 X 12, 10.9	4
17	06549	(000000-) Nut, Hex, Lock, M5 X 0.8, NI	4
18	32490	(000000-) Washer, Flat, 0.25 Std	4
19	06944	(000000-) Screw, Hex, M6 X 1.0 X 25, 8.8	4
20	06955	(000000-) Screw, Hex, M8 X 1.25 X 35, 8.8	5
21	39277	(000000-) Screw, Hex, M8 X 1.25 X 25	2
22	32493	(000000-) Washer, Flat, 0.50 Std	1
23	32491	(000000-) Washer, Flat, 0.31 Std	5
24	08709	(000000-) Nut, Hex, Lock, M8 X 1.25, NI	2

Fig. 46 - Hopper Dump Door Group

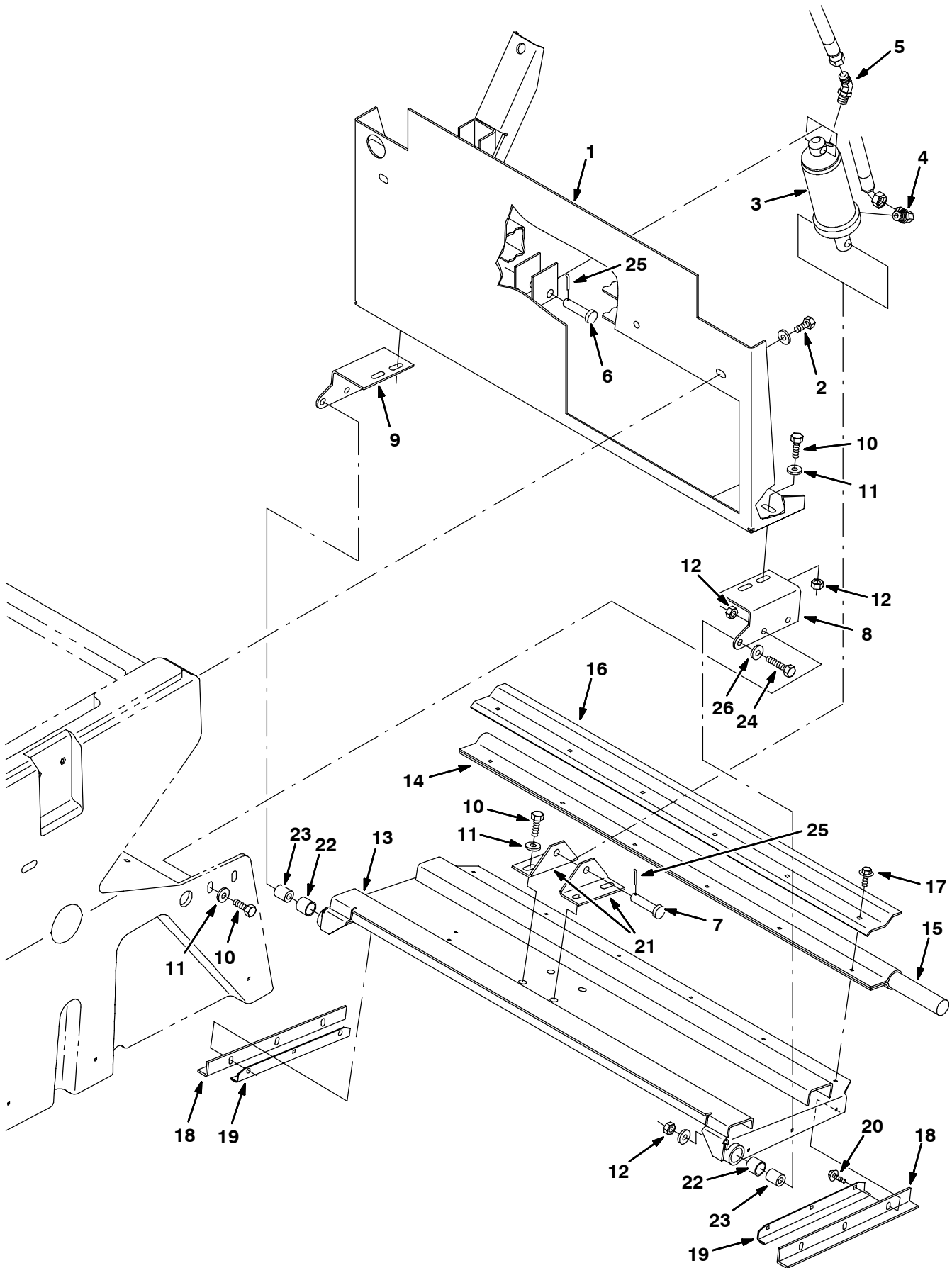


Fig. 46 - Hopper Dump Door Group

Ref.	Part No.	Serial Number	Description	Qty.
1	364578	(000000-019999)	Plate Wldt, Back, Hopper	1
1	1011886	(020000-)	Plate Wldt, Back, Hopper	1
2	12273	(000000-)	Screw, Hex, M08-1.25 X 20, Ss	5
3	364119	(000000-)	Cylinder, Hyd 2.0B 04.0S 2500	1
4	77097	(000000-)	Fitting, Hyd, Elbow	1
5	34359	(000000-)	Fitting, Hyd, Elbow	1
6	51534	(000000-006773)	Pin, Clevis	2
6	43290	(006774-)	Pin, Clevis, 0.50 D X 1.75l	2
7	17461	(000000-006773)	Pin, Clevis	1
7	43290	(006774-)	Pin, Clevis, 0.50 D X 1.75l	1
8	364477	(000000-)	Bracket, Door, Mtg, Lh	1
9	364478	(000000-)	Bracket, Door, Mtg, Rh	1
10	09740	(000000-)	Screw, Hex, M08-1.25 X 20, Ss	12
11	01685	(000000-)	Washer, Flat, .31 Ss	12
12	08713	(000000-)	Nut, Hex, Lock, M08-1.25,NI,Ss	10
13	364580	(000000-)	Door Wldt, Dump	1
14	364688	(000000-)	Seal Wrap, Dump Door	1
15	364476	(000000-)	Cord, Rubber	1
16	364487	(000000-)	Strip, Retainer, Door, Dump	1
17	12459	(000000-)	Screw, Hex, Fmg, M06-1.0 X 20	6
18	360844	(000000-)	Seal, Dump Door, Side	2
19	360424	(000000-)	Strip, Retainer, Door, Side	2
20	74455	(000000-)	Screw, Hex, Fmg, M06-1.0 X 12	6
21	364480	(000000-)	Bracket, Door, Cyl, Lower	2
22	64379	(000000-)	Bearing, Journal	2
23	87104	(000000-)	Bushing, Door Pivot	2
24	09026	(000000-)	Screw, Hex, M08-1.25 X 40, Ss	2
25	08182	(000000-)	Pin, Cotter, .125 X 1.00	2
26	01685	(000000-)	Washer, Flat, 0.31 Ss	8

Fig. 47 - Hopper Filter Box Group

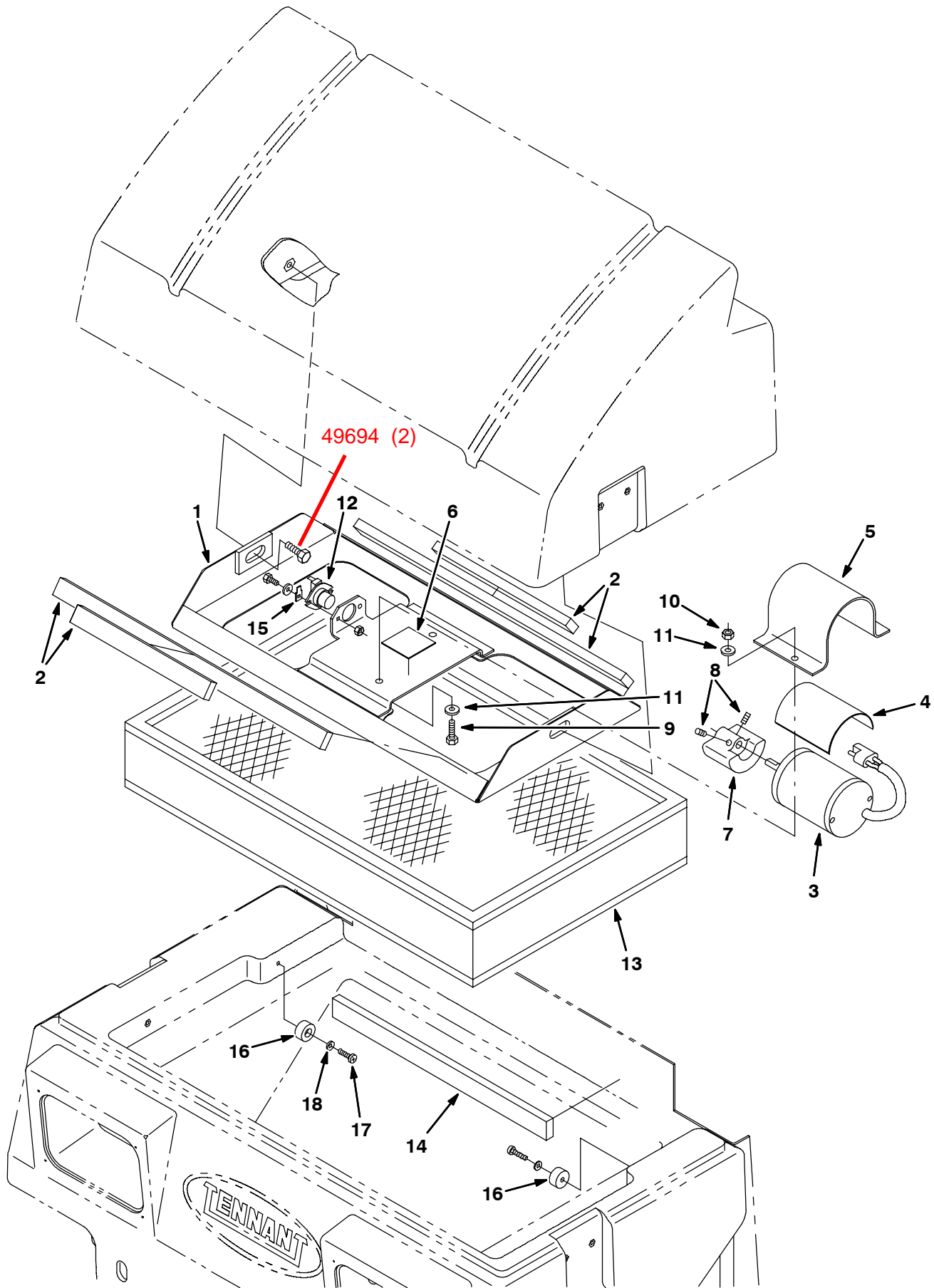


Fig. 47 - Hopper Filter Box Group

Ref.	Part No.	Serial Number	Description	Qty.
1	364511	(000000-) Plate Wldt, Shaker	1
2	363426	(000000-) Seal, Foam Rbr. .5X1.0X20.0	3
3	54121	(000000-) Motor, Ele, Shaker	1
4	36658	(000000-) Bar, Flat	1
5	36666	(000000-) Strap, Motor, Shaker	1
6	36661	(000000-) Bar, Flat	1
7	53264	(000000-) Weight, Eccentric	1
8	20634	(000000-) Screw, Set, #10-24 X 0.25, NI	2
9	09007	(000000-) Screw, Hex, M06-1.0 X 25, Ss	2
10	08712	(000000-) Nut, Hex, Lock, M06-1.0, NI,Ss	2
11	01684	(000000-) Washer, Flat, .25 Ss	4
12	87546	(000000-) Thermostat	1
13	365126	(000000-) Filter Pkg, Panel, 97 Pleats	1
13	365129	(000000-) Filter Pkg, Panel, Synthetic	1
14	360199	(000000-) Seal, Spacer, Filter	1
15	68106	(000000-) Terminal, Qkdisc .25M Tab .19D	1
16	82921	(000000-) Bumper, Rubber	2
17	360943	(000000-) Screw, Pan, Ss	2
18	01683	(000000-) Washer, Ss	2

Fig. 48 - Main Brush Lift Group

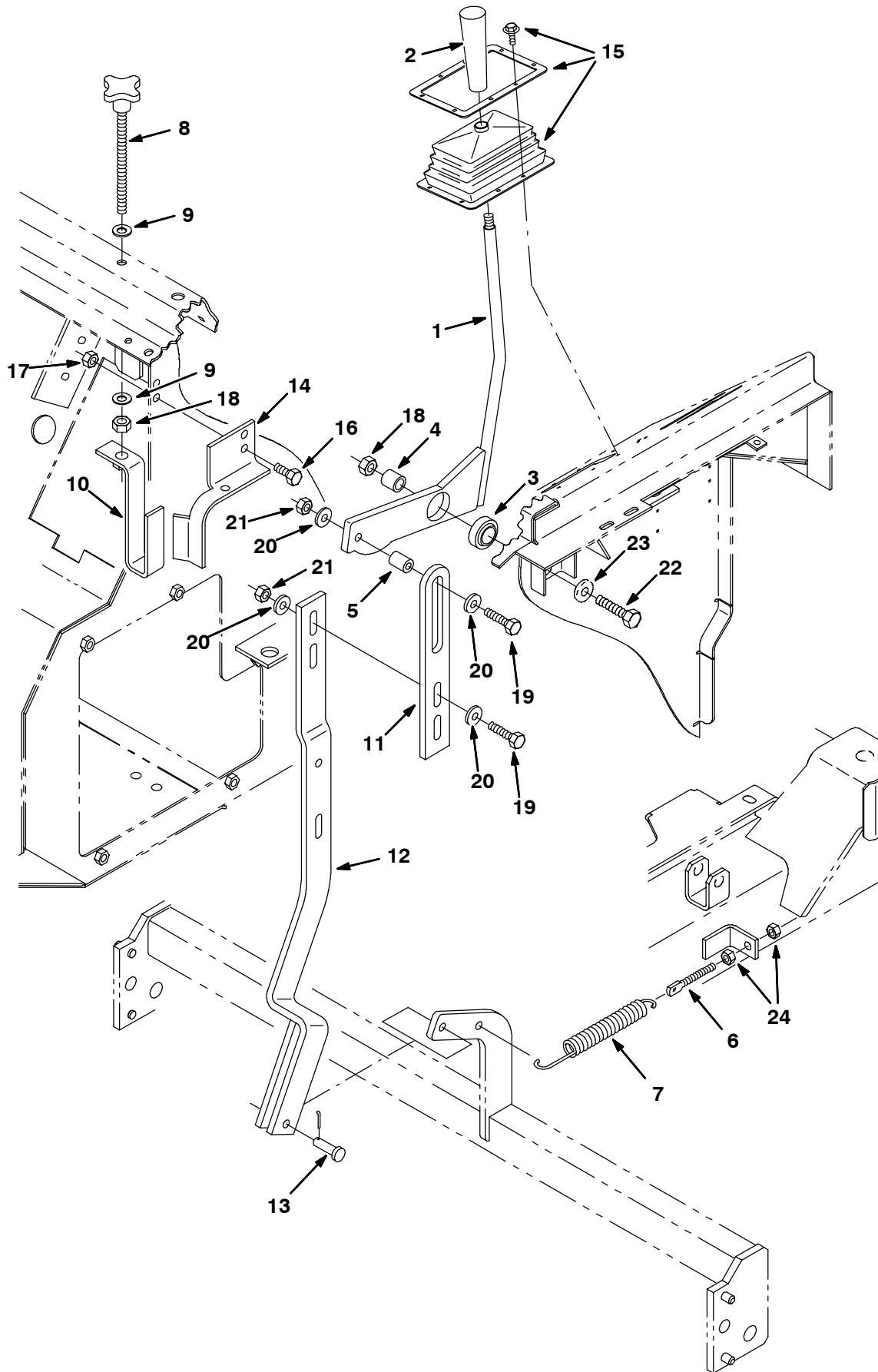


Fig. 48 - Main Brush Lift Group

Ref.	Part No.	Serial Number	Description	Qty.
1	364281	(000000-) Lever Wldt, Main Brush	1
2	54995	(000000-) Knob, Tapered	1
3	54663	(000000-) Bearing, Self Align	1
4	364697	(000000-) Sleeve, .510B .75D .75 Stl	1
5	364698	(000000-) Sleeve, .330B .62D .88 Stl	1
6	78944	(000000-) Bolt, Eye, .31-18X2.4X .19	1
7	365157	(000000-) Spring, Tens	1
8	54848	(000000-) Knob, Adj	1
9	52296	(000000-) Washer	2
10	364594	(000000-) Bracket, Brush Adjustment	1
11	364814	(000000-) Plate, Main Brush, Adjustment	1
12	364605	(000000-) Lever Wldt, Main Br Lift	1
13	46657	(000000-) Pin, Clevis	1
14	365031	(000000-) Bracket, L, Brush Lift	1
15	364844	(000000-) Bellow Assy, Brush Lift	1
16	16931	(000000-) Screw, Hex, M8 X 1.25 X 20, 8.8	2
17	07791	(000000-) Nut, Hex, Flng, M8 X 1.25	2
18	41430	(000000-) Nut, Hex, Lock, M10 X 1.5, NI	2
19	76570	(000000-) Screw, Hex, M8 X 1.25 X 30, 8.8	2
20	32491	(000000-) Washer, Flat, 0.31 Std	4
21	08709	(000000-) Nut, Hex, Lock, M8 X 1.25, NI	2
22	39285	(000000-) Screw, Hex, M10 X 1.5 X 40, 8.8	1
23	32492	(000000-) Washer, Flat, 0.38 Std	1
24	32521	(000000-) Nut, Hex, Jam, .31-18	2

Fig. 49 - Main Brush Drive Group

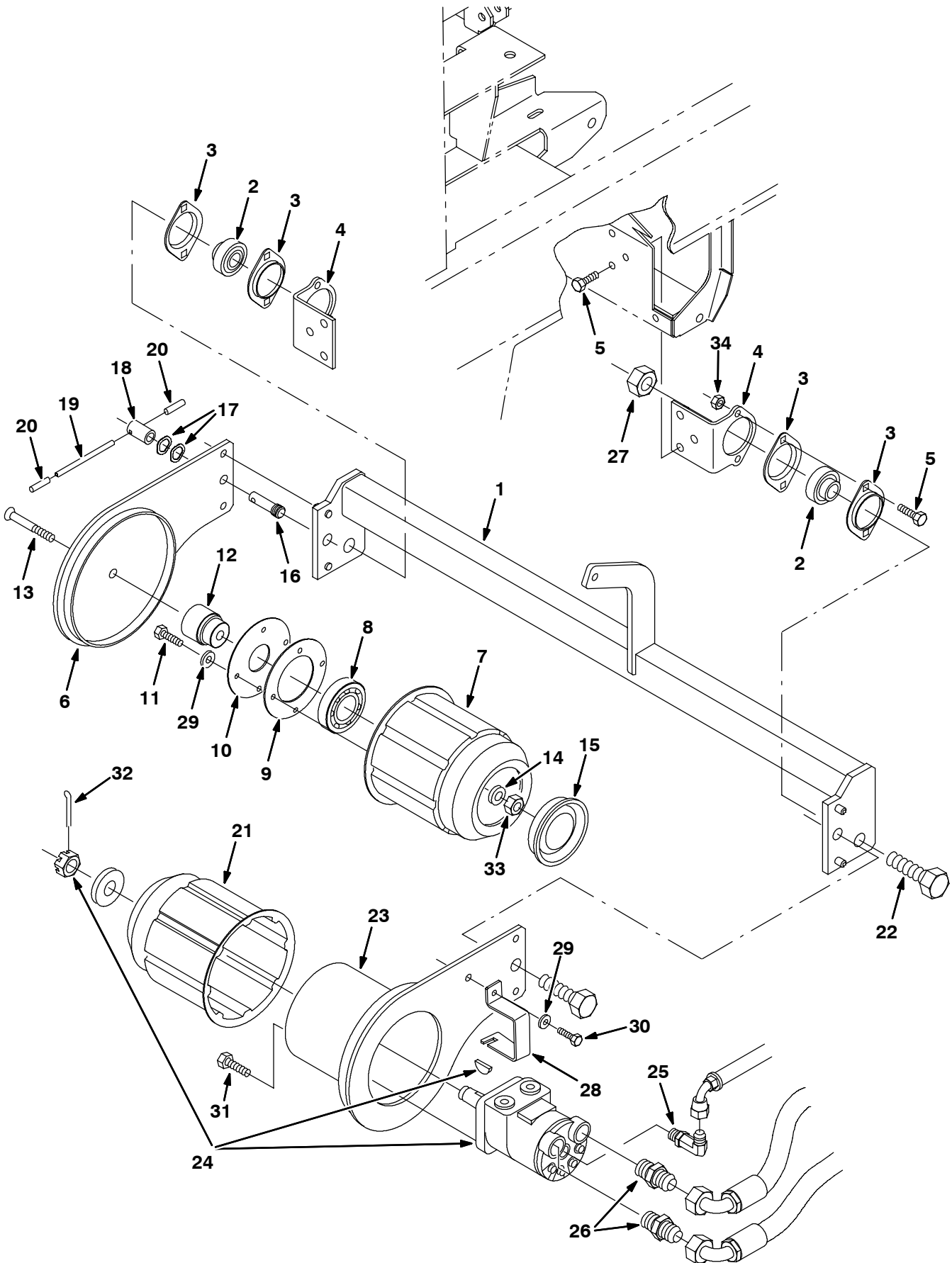


Fig. 49 - Main Brush Drive Group

Ref.	Part No.	Serial Number	Description	Qty.
1	364290	(000000-) Tube Wldt, Main Brush	1
2	25887	(000000-) Bearing	2
3	35973	(000000-) Flange, Bearing	4
4	360132	(000000-) Bracket, Mounting, Bearing	2
5	09740	(000000-) Screw, Hex, M08-1.25 X 20, Ss	10
6	360107	(000000-) Arm	1
7	55779	(000000-) Plug, Idler, Brush	1
8	24899AM	(000000-) Bearing, Ball, 1.38b 2.83d 0.67w	1
9	30252	(000000-) Strip, Retainer	1
10	30253	(000000-) Plate, Seal	1
11	12277	(000000-) Screw, Hex, M06-1.0 X 20, Ss	4
12	30251	(000000-) Shaft Idler	1
13	361555	(000000-) Screw, Flat, M12-1.75X 80,10.9	1
14	51564	(000000-) Washer	1
15	30255	(000000-) Plug	1
16	364769	(000000-) Stud, T-Nut, Brush Arm	1
17	52508	(000000-) Washer	2
18	364770	(000000-) Sleeve, Hex, T-Nut, Brush Arm	1
19	11631	(000000-) Pin	1
20	360492	(000000-) Cap	2
21	87631	(000000-) Plug, Drive, Brush	1
22	39395	(000000-) Screw, Hex, .75-10 X 2.50, FI	2
23	360349	(000000-) Arm, Lift, Brush	1
24	364104	(000000-) Motor, Hyd Gear (See Breakdowns)	1
25	82825	(000000-) Fitting, Hyd, E90	1
26	44869	(000000-) Fitting, Hyd, Str	2
27	31704	(000000-) Nut, Hex, Flexlock, .75-10	1
28	365170	(000000-) Clamp, Hose Retainer	1
29	01684	(000000-) Washer, Flat .25 Ss	5
30	09744	(000000-) Screw, Hex Ss/M6 X 1.0 12	1
31	01762	(000000-) Screw, Hex, .38-16 X 0.75, NI	4
32	08175	(000000-) Pin, Cotter, .125 X 1.25	1
33	08711	(000000-) Nut, Hex, Lock, M12 X 1.75,NI	1
34	08713	(000000-) Nut, Hex, Lock, M12 X 1.75,NI	4

Fig. 50 - Side Brush Motor And Pivot Group

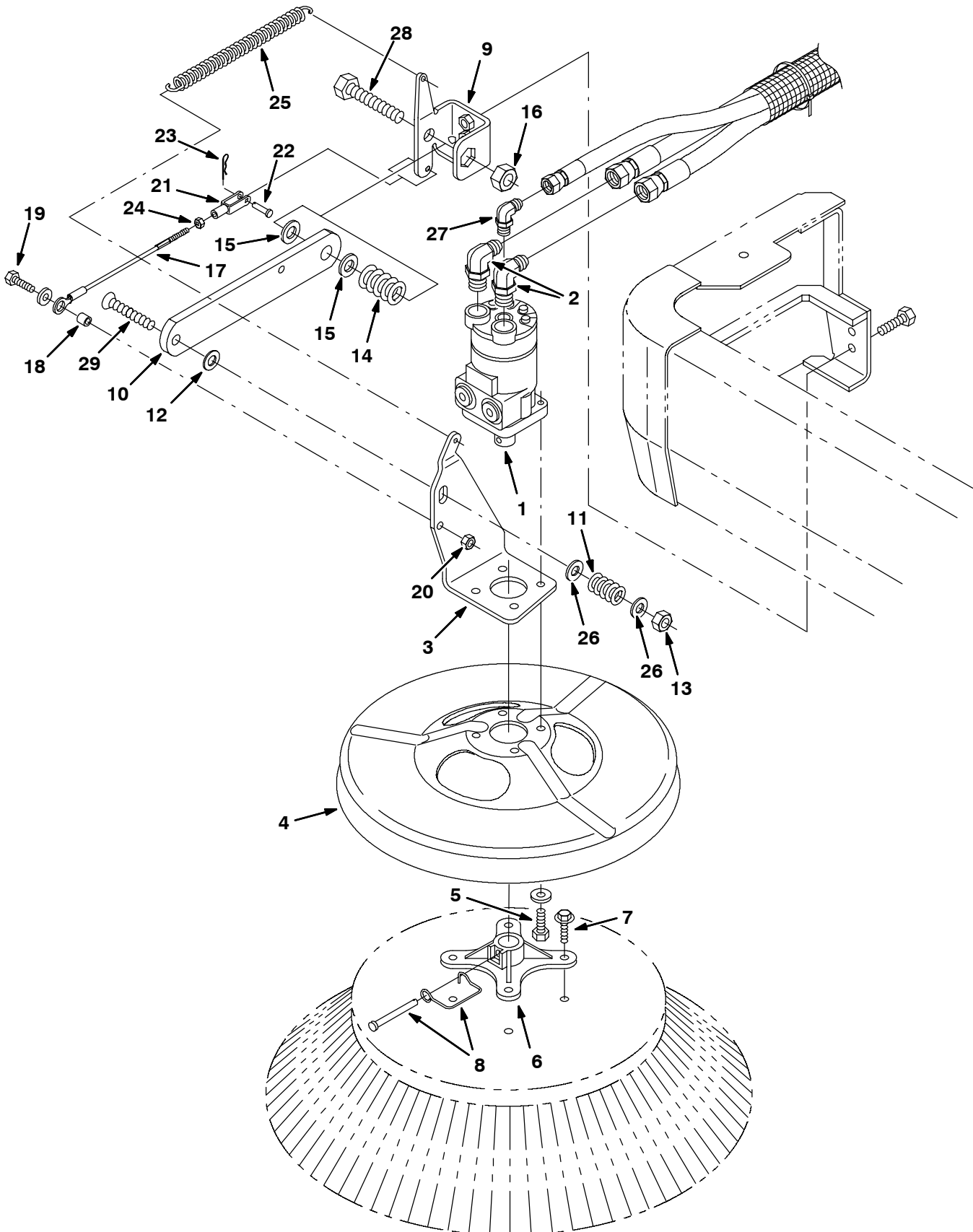


Fig. 50 - Side Brush Motor And Pivot Group

Ref.	Part No.	Serial Number	Description	Qty.
1	364108	(000000-) Motor, Hyd Gear (See Breakdowns)	1
2	47512	(000000-) Fitting, Hyd, Elbow	2
3	360028	(000000-) Bracket, Mounting, Motor	1
4	53984	(000000-) Guard	1
5	46559	(000000-) Screw, Hex, .38-16 X 1.25, NI	4
6	47501	(000000-) Hub, Brush	1
7	39396	(000000-) Screw, Hex, Fmgab,.31 X 1.50	4
8	84581	(000000-) Pin	1
9	364679	(000000-) Bracket	1
10	361070	(000000-) Arm, Lift	1
11	365274	(000000-) Spring, Die .50ld 1.00D 1.25L	1
12	86860	(000000-) Bearing, Thrust	1
13	86029	(000000-) Nut, Hex, Flexlock, .50-13	1
14	360081	(000000-) Spring, Die .62ld 1.25Od 1.75L	1
15	364963	(000000-) Washer, Thrust, 1.18D.69B.06W	2
16	33342	(000000-) Nut, Hex, Lock, M16-2.0, NI	1
17	360078	(000000-) Cable	1
18	360801	(000000-) Sleeve	1
19	09010	(000000-) Screw, Hex, M08-1.25 X 25, Ss	1
20	08713	(000000-) Nut, Hex, Lock, M08-1.25,NI,Ss	1
21	14595-1	(000000-) Clevis	1
22	14605	(000000-) Pin, Clevis	1
23	08085	(000000-) Pin, Hair Cotter	1
24	32899	(000000-) Nut, Hex, Jam, .25-28	1
25	364962	(000000-) Sprng, Tens, .725 Od X .154 Wi	1
26	32486	(000000-) Washer, Flat, .50 Sae	2
27	77097	(000000-) Fitting, Hyd, Elbow	1
28	06988	(000000-) Screw, Hex, M16 X 2.0 X 90, 8.8	1
29	27108	(000000-) Screw, Flt, .50-13 X 2.50, AI	1

Fig. 51 - Side Brush Lift Group

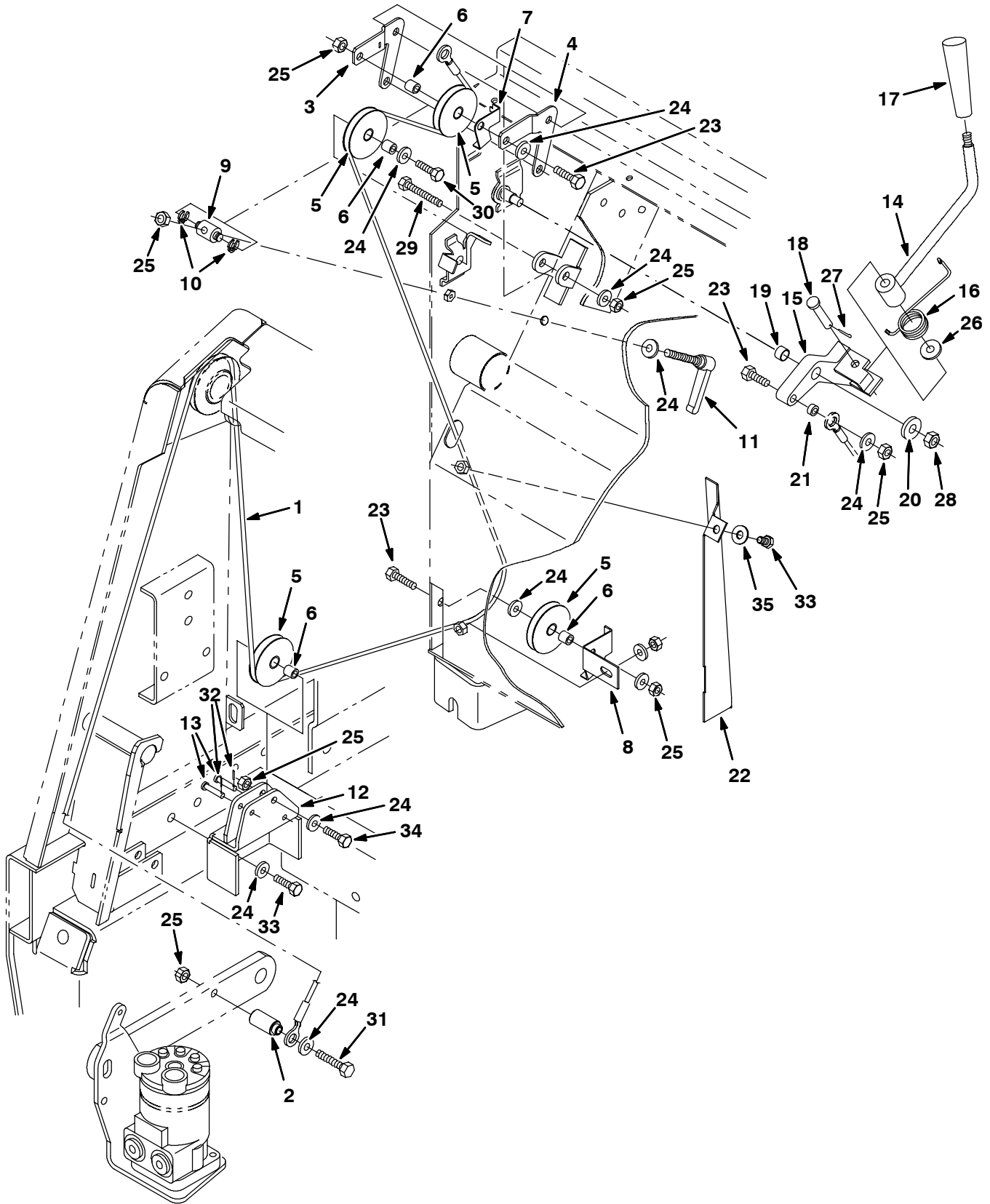


Fig. 51 - Side Brush Lift Group

Ref.	Part No.	Serial Number	Description	Qty.
1	364689	(000000-) Cable	1
2	364722	(000000-) Sleeve, .318B .75Od 1.625L	1
3	364684	(000000-) Arm, Brush, Adj, Rh	1
4	364685	(000000-) Arm, Brush, Adj, Lh	1
5	360454	(000000-) Pulley	4
6	222460	(000000-) Sleeve	4
7	364740	(000000-) Angle, Cable Keeper	1
8	364812	(000000-) Bracket, Cable Keeper	1
9	71126	(000000-) Block	1
10	12364	(000000-) Ring, Retaining	2
11	360414	(000000-) Lever, Adj, Plastic	1
12	364721	(000000-) Brkt Wldt, Cable, Side Brush	1
13	17870	(000000-) Pin, Clevis	2
14	364683	(000000-) Handle Wldt	1
15	364682	(000000-) Lever Wldt	1
16	360961	(000000-) Spring, Torsion	1
17	54995	(000000-) Knob, Tapered	1
18	51813	(000000-) Pin, Clevis	1
19	64173AM	(000000-) Bushing, Sleeve, 0.50b 0.59d 0.38l, Stl	1
20	39346	(000000-) Washer, Flat, .44 Std Hard	1
21	360801	(000000-) Sleeve	1
22	364739	(000000-) Panel, Cable Cover	1
23	76570	(000000-) Screw, Hex, M8 X 1.25 X 30, 8.8	3
24	32491	(000000-) Washer, Flat, 0.31 Std	10
25	08709	(000000-) Nut, Hex, Lock, M8 X 1.25, NI	7
26	32492	(000000-) Washer, Flat, 0.38 Std	1
27	08179	(000000-) Pin, Cotter, .094 X 1.00	1
28	41430	(000000-) Nut, Hex, Lock, M10 X 1.5, NI	1
29	06957	(000000-) Screw, Hex, M8 X 1.25 X 60, 8.8	1
30	39277	(000000-) Screw, Hex, M8 X 1.25 X 25	1
31	87531	(000000-) Screw, Hex, M8 X 1.25 X 65, 8.8	1
32	08350	(000000-) Pin, Cotter, .062 X 1.00	2
33	16931	(000000-) Screw, Hex, M8 X 1.25 X 20, 8.8	4
34	06955	(000000-) Screw, Hex, M8 X 1.25 X 35, 8.8	1
35	39349	(000000-) Washer, Flat, 0.31 Sae	2

Fig. 52 - Scrub Head Group, Max Pro 1000 (Two-Brush)

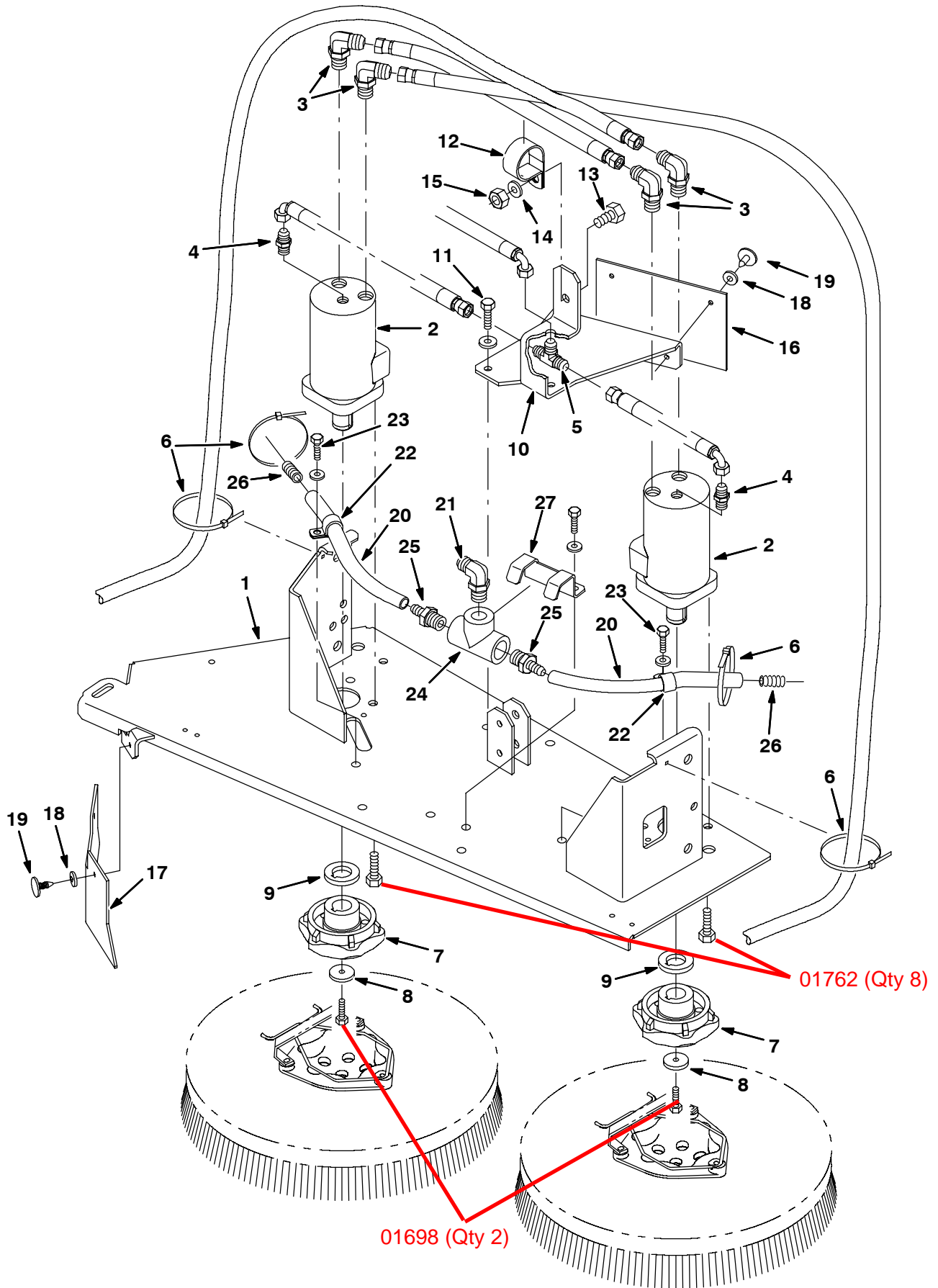


Fig. 52 - Scrub Head Group, Max Pro 1000 (Two-Brush)

Ref.	Part No.	Serial Number	Description	Qty.
1	364380	(000000-) Frame Wldt, Scrub Hd, 2-Brush	1
2	364105	(000000-) Motor, Hyd Gear (See Breakdowns)	2
3	44868	(000000-) Fitting, Hyd, Elbow	4
4	55586	(000000-) Fitting, Hyd, Str	2
5	34392	(000000-) Fitting, Hyd, Tee	1
6	49266	(000000-) Tie, Cable 1.75D Max 7.50Lg	5
7	377351	(000000-) Hub, Drive, Brush, Disk, 1.00B 6T	2
8	19191	(000000-) Spacer	2
9	25611	(000000-) Spacer	2
10	364467	(000000-) Bracket, Skirt, Rear, Scrubhd	1
11	09740	(000000-) Screw, Hex, M08-1.25 X 20, Ss	2
12	53468	(000000-) Clamp, Hose	1
13	09010	(000000-) Screw, Hex, M08-1.25 X 25, Ss	1
14	01685	(000000-) Washer, Flat, .31 Ss	1
15	08713	(000000-) Nut, Hex, Lock, M08-1.25,NI,Ss	1
16	364468	(000000-) Skirt, Rear, Scrubhead	1
17	364469	(000000-) Skirt, Front, Scrubhd	1
18	41178	(000000-) Washer, Flat, .25 Fender	4
19	21168	(000000-) Rivet, Plstc	4
20	45487-2	(000000-) Hose, Vinyl	2
21	18595	(000000-) Fitting, Plstc, Elbow	1
22	67767	(000000-) Clamp, Cable	2
23	15675	(000000-) Screw, Hex, M08-1.25 X 16, Ss	2
24	42133A	(000000-) Fitting, Plstc, Tee	1
25	365095	(000000-) Ftg, Plastic Str 10Bm X 12Pm	2
26	365164	(000000-) Ftg, Str .62	2
27	365172	(000000-) Clamp, Tee Ftg	1

Fig. 53 - Scrub Head Lift Group, Max Pro 1000 (Two-Brush)

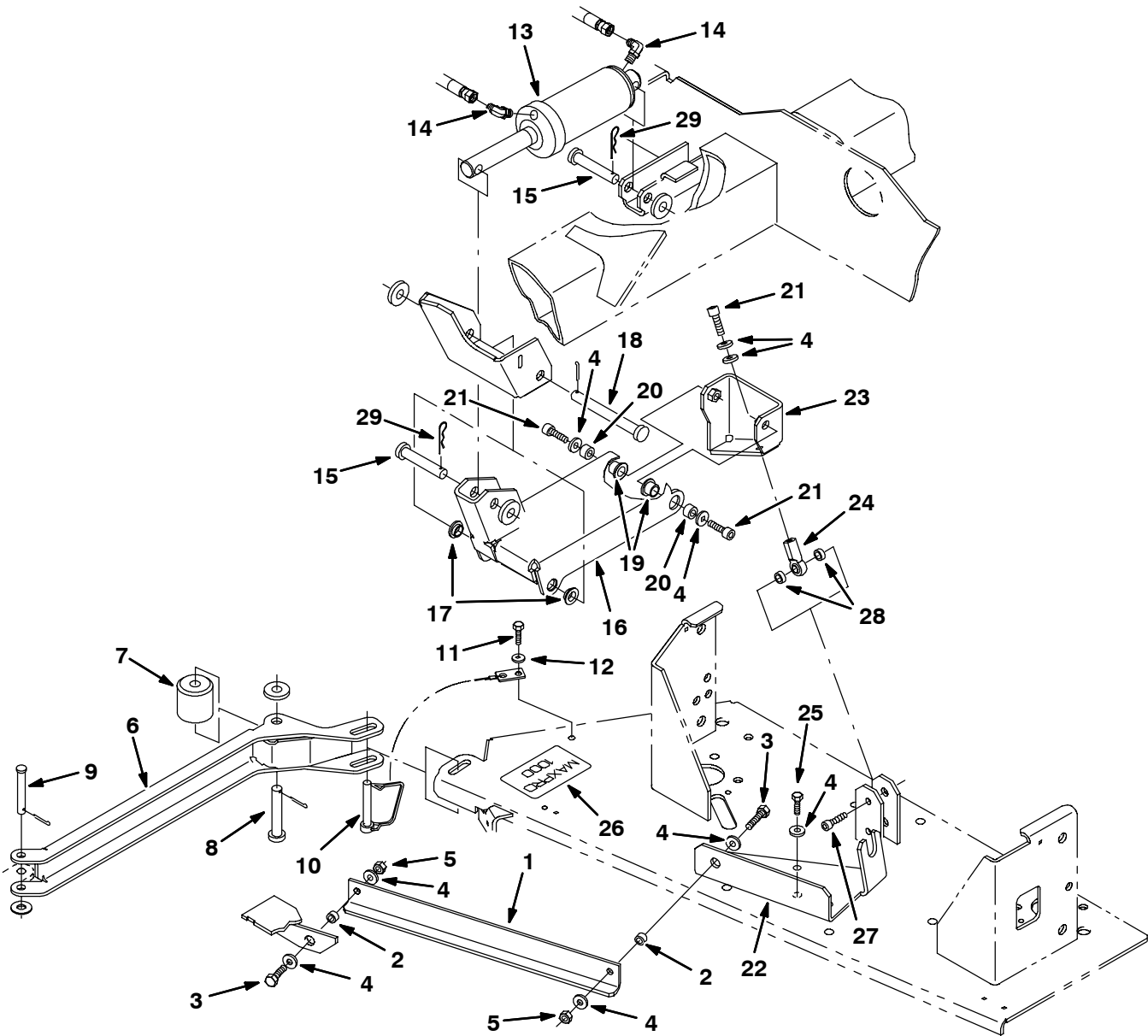


Fig. 53 - Scrub Head Lift Group, Max Pro 1000 (Two-Brush)

Ref.	Part No.	Serial Number	Description	Qty.
1	364447	(000000-) Arm, Stop, Kick-In, Scrub Hd	1
2	222516	(000000-) Sleeve	2
3	09011	(000000-) Screw, Hex, M08-1.25 X 30, Ss	2
4	01685	(000000-) Washer, Flat, .31 Ss	14 10
5	08713	(000000-) Nut, Hex, Lock, M08-1.25,NI,Ss	2
6	364086	(000000-) Guard, Kick-In, Scrubhead	1
7	72946	(000000-) Roller	1
8	06279	(000000-) Pin, Clevis	1
9	365180	(000000-) Pin, Clevis	1
10	365030	(000000-) Pin, Snapper, .375 X 2.25	1
11	24199	(000000-) Screw, Hex, M05-0.8 X 16, Ss	1
12	01683	(000000-) Washer, Flat, #10 Ss	1
13	54096	(000000-) Cylinder, Hyd	1
14	77097	(000000-) Fitting, Hyd, Elbow	2
15	51534	(000000-) Pin, Clevis	2
16	364624	(000000-) Wldt, Lift Arm, Scrubhd, 2-Br	1
17	15648	(000000-) Bearing, Flange	2
18	51225	(000000-) Pin, Clevis	1
19	04843	(000000-) Bearing, Flange	2
20	222556	(000000-) Sleeve	2
21	374174	(000000-) Screw, Soc, M08 X 1.25 X 20, 12.9	4 2
22	364592	(000000-) Brkt, Stop, Scrub Hd, Nonshift	1
23	364611	(000000-) Brkt, Lift, Scrubhd, Nonshift	1
24	364885	(000000-) Rod End, Female, M8	1
25	09740	(000000-) Screw, Hex, M08 X 1.25 X 20, Ss	4
26	365156	(000000-) Label Set, Max Pro 1000	1
27	374190	(000000-) Screw, Soc, M8X1.25X45, 12.9	1
28	12955	(000000-) Sleeve	2
29	44906	(000000-) Pin, Hair Cotter	2
30	39308	(000000-) Screw, Soc, M08 X 1.25 X 25, 12.9	2

STANDARD PARTS

Fig. 54 - Scrub Head Linkage Group, Max Pro 1000 (Two-Brush)

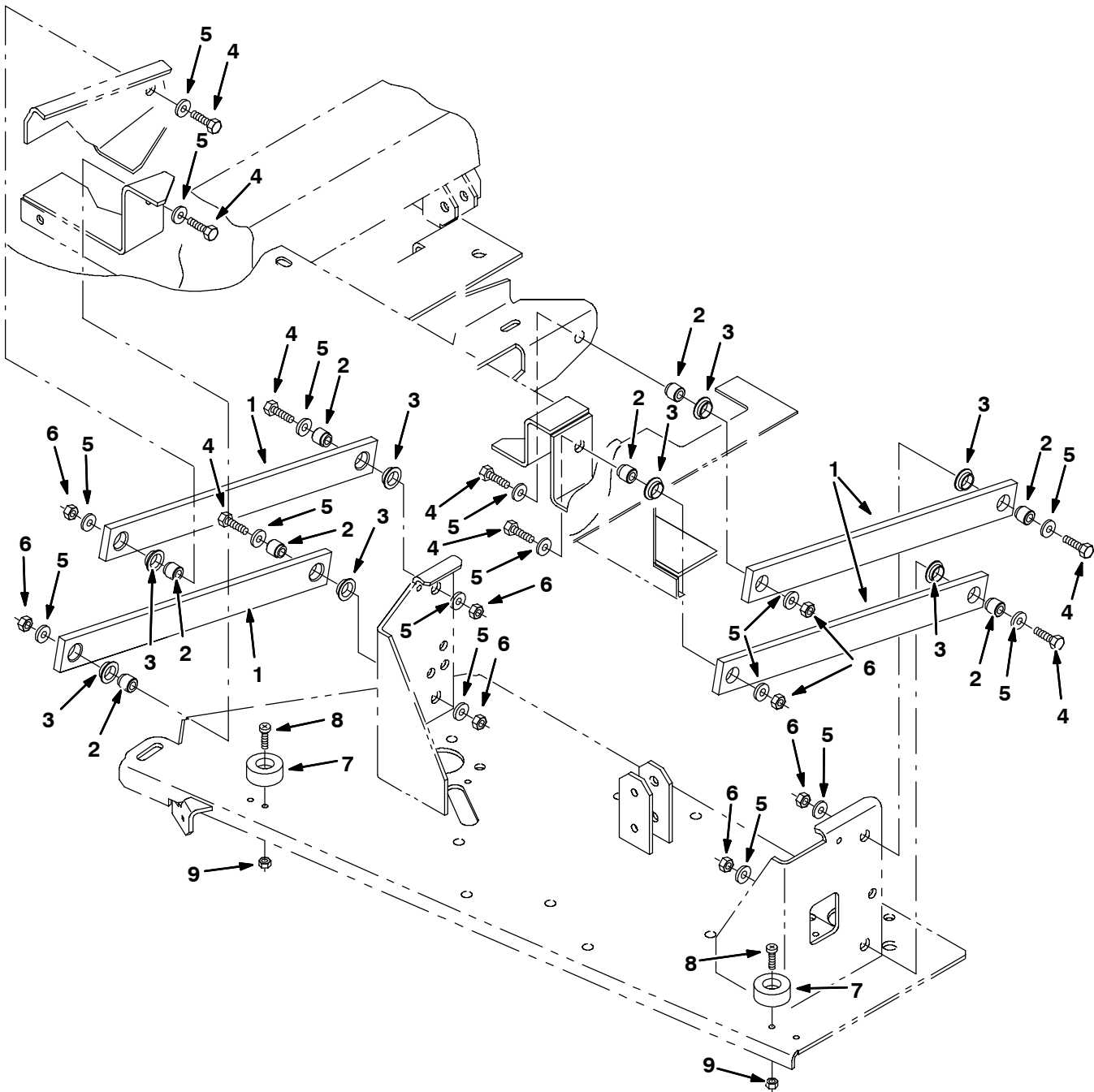
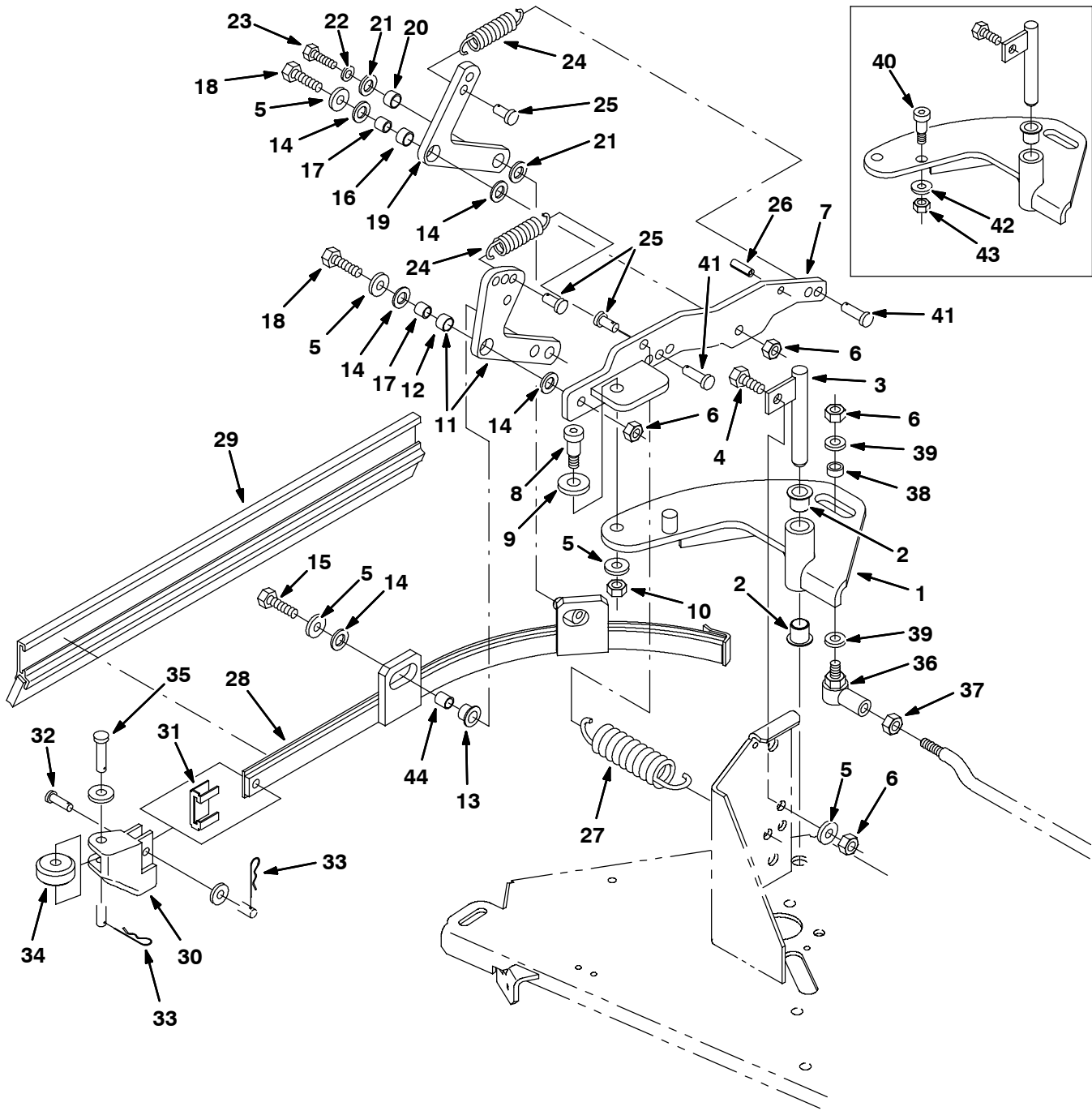


Fig. 54 - Scrub Head Linkage Group, Max Pro 1000 (Two-Brush)

Ref.	Part No.	Serial Number	Description	Qty.
1	364612	(000000-) Link, Drag, Scrubhd, Nonshift	4
2	364613	(000000-) Tube, .344B X .625D X .610Lg	8
3	04843	(000000-) Bearing, Flange	8
4	09023	(000000-) Screw, Hex, M08-1.25 X 35, Ss	8
5	01685	(000000-) Washer, Flat, .31 Ss	16
6	08713	(000000-) Nut, Hex, Lock, M08-1.25,Nl,Ss	8
7	364614	(000000-) Bumper, Neoprene	2
8	24196	(000000-) Screw, Pan	2
9	09739	(000000-) Nut	2

Fig. 55 - Squeegee Group, Max Pro 1000 (Two-Brush), Right Side



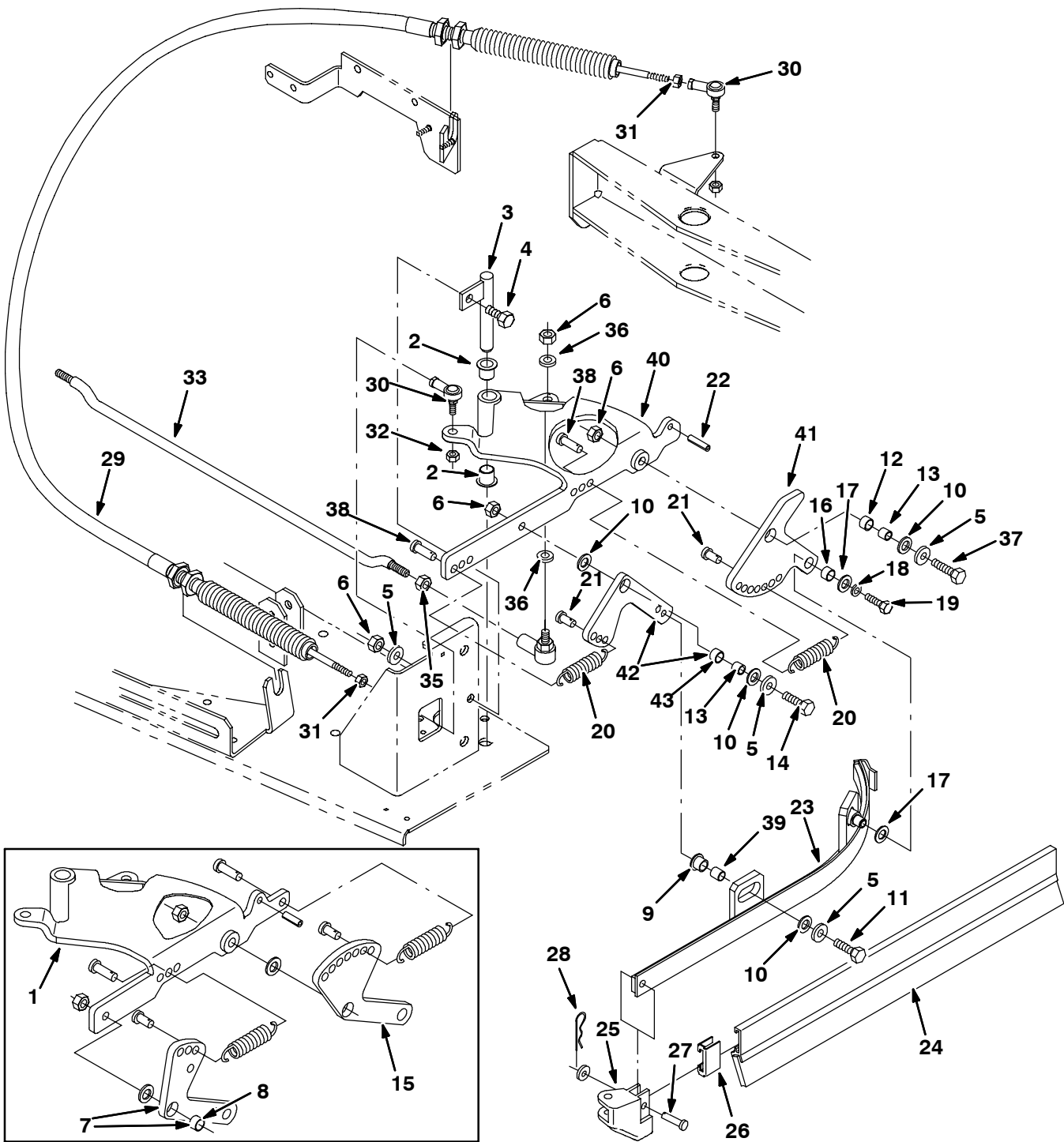
NOTE: For a complete Squeegee Assy, RH order part number 365143

Fig. 55 - Squeegee Group, Max Pro 1000 (Two-Brush), Right Side

Ref.	Part No.	Serial Number	Description	Qty.	
1	364235	(000000-) Pivot Weldt, Bottom Right	1	
2	72777	(000000-) Bushing, Flanged	2	
3	364413	(000000-) Pin Wldt	1	
4	09028	(000000-) Screw, Hex, M10-1.5 X 25, Ss	1	
5	01686	(000000-) Washer, Flat, .38 Ss	5	
6	08714	(000000-) Nut, Hex, Lock, M10-1.5, NI,Ss	4	
7	364416	(000000-) Pivot Weldt, Rh	1	
8	33123	(000000-) Bolt, Shld .50D X 0.75, .38-16	1	
9	41619	(000000-) Washer, Flat, .50 Ss	2	
10	36643	(000000-) Nut, Hex, Lock, .38-16, NI	1	
▽	11	393406	(000000-) Arm Assembly, Squeegee, Front	1
▲	12	71607	(000000-) Bushing, Sleeve, 0.63B 0.72D 0.38L	1
	13	25730	(000000-) Bearing, Flange	1
	14	64425	(000000-) Washer	5
	15	09740	(000000-) Screw, Hex, M08-1.25 X 20, Ss	1
	16	71607	(000000-) Bearing	1
	17	71608	(000000-) Sleeve	2
	18	77347	(000000-) Screw, Hex, M10-1.5 X 35, Ss	2
	19	365083	(000000-) Arm, Squeegee, Right Rear	1
	20	64173AM	(000000-) Bushing, Sleeve, 0.50b 0.59d 0.38l, Stl	1
	21	86860	(000000-) Bearing, Thrust	2
	22	01685	(000000-) Washer, Flat, .31 Ss	1
	23	09011	(000000-) Screw, Hex, M08-1.25 X 30, Ss	1
	24	87816	(000000-) Spring, Extension	2
	25	41305	(000000-) Pin, Clevis	3
	26	23999-8	(000000-) Pin	1
	27	50864	(000000-) Spring, Tension	1
	28	364243	(000000-) Squeegee Weldt, Rh	1
	29	364246	(000000-) Blade Assy, Side Squeegee	1
	29	365394	(000000-) Blade Assy, Side Squeegee, Urethane (Max Pro 1000)	1
	30	77333	(000000-) Guide	1
	31	86759	(000000-) Retainer, Squeegee	1
	32	69582	(000000-) Pin, Clevis	1
	33	08085	(000000-) Pin, Hair Cotter	2
	34	77331	(000000-) Roller	1
	35	29558	(000000-) Pin, Clevis	1
	36	05686	(000000-) Rod-End	1
	37	32716	(000000-) Nut, Hex, Jam, M10 X 1.5, Ss	1
	38	45416-1	(000000-) Sleeve	1
	39	32492	(000000-) Washer, Flat, .38 Hard	2
	40	36758	(000000-xxxxxx) Bolt, Shld .50D X 0.50, .38-16	1
	41	86240	(000000-) Pin, Clevis	2
	42	01686	(000000-xxxxxx) Washer	1
	43	36643	(000000-xxxxxx) Screw	1
	44	25736AM	(000000-) Tube, 0.62d 0.41b 0.6l, Ss, Cham	1

NOTE: For a complete Squeegee Assy, RH order part number 365143

Fig. 56 - Squeegee Group, Max Pro 1000 (Two-Brush), Left Side



NOTE: For a complete Squeegee Assy, LH order part number 365142

Fig. 56 - Squeegee Group, Max Pro 1000 (Two-Brush), Left Side

Ref.	Part No.	Serial Number	Description	Qty.	
1	364227	(000000-019999)	Arm Wldt, Left, Pivot	1	
2	72777	(000000-) Bushing, Flanged	2	
3	364413	(000000-) Pin Wldt	1	
4	09028	(000000-) Screw, Hex, M10-1.5 X 25, Ss	1	
5	01686	(000000-) Washer, Flat, .38 Ss	4	
6	08714	(000000-) Nut, Hex, Lock, M10-1.5, NI,Ss	5	
▽	7	393406	(000000-019999) Arm Assembly, Squeegee, Front	1	
▲	8	71607	(000000-019999) Bushing, Sleeve, 0.63B 0.72D 0.38L	1	
9	25730	(000000-) Bearing, Flange	1	
10	64425	(000000-) Washer	5	
11	12317	(000000-) Screw, Hex, M10-1.5 X 30, Ss	1	
12	71607	(000000-) Bearing	1	
13	71608	(000000-) Sleeve	2	
14	77347	(000000-) Screw, Hex, M10-1.5 X 35, Ss	1	
15	364223	(000000-019999)	Arm, Squeegee, Rear	1	
16	64173AM	(000000-) Bushing, Sleeve, 0.50b 0.59d 0.38l, Stl	1	
17	86860	(000000-) Bearing, Thrust	2	
18	01685	(000000-) Washer, Flat, .31 Ss	1	
19	09740	(000000-) Screw, Hex, M08-1.25 X 20, Ss	1	
20	87816	(000000-) Spring, Extension	2	
21	41305	(000000-) Pin, Clevis	2	
22	23999-8	(000000-) Pin	1	
23	364242	(000000-) Squeegee Weldt, Lh	1	
24	364246	(000000-) Blade Assy, Side Squeegee	1	
24	365394	(000000-) Blade Assy, Side Squeegee, Urethane (Max Pro 1000)	1	
25	77333	(000000-) Guide	1	
26	86759	(000000-) Retainer, Squeegee	1	
27	69582	(000000-) Pin, Clevis	1	
28	08085	(000000-) Pin, Hair Cotter	1	
29	72837	(000000-) Cable, Push-Pull	1	
30	36466	(000000-) Rod-End	2	
31	01715	(000000-) Nut, Hex, Std, .31-24	2	
32	32960	(000000-) Nut, Hex, Lock, .31-24, NI	2	
33	364248	(000000-) Rod	1	
34	05686	(000000-) Rod-End	1	
35	32716	(000000-) Nut, Hex, Jam, M10 X 1.5, Ss	1	
36	32492	(000000-) Washer, Flat, .38 Hard	2	
37	32731	(000000-) Screw, Hex, M10-1.5 X 50, Ss	1	
38	86240	(000000-) Pin, Clevis	2	
39	25736AM	(000000-) Tube, 0.62d 0.41b 0.6l, Ss, Cham	1	
40	1016912	(020000-) Arm Wldt, Lh	1	
41	1016910	(020000-) Bellcrank, Sqge, Rear, Lh	1	
▽	42	9000799	(020000-) Arm Assy, Sqge, Side, Front, W/GM Engine	1
▲	43	71607	(020000-) Bushing, Sleeve, 0.63B 0.72D 0.38L	1

NOTE: For a complete Squeegee Assy, LH order part number 365142

Fig. 57 - Squeegee Linkage Group, Rear

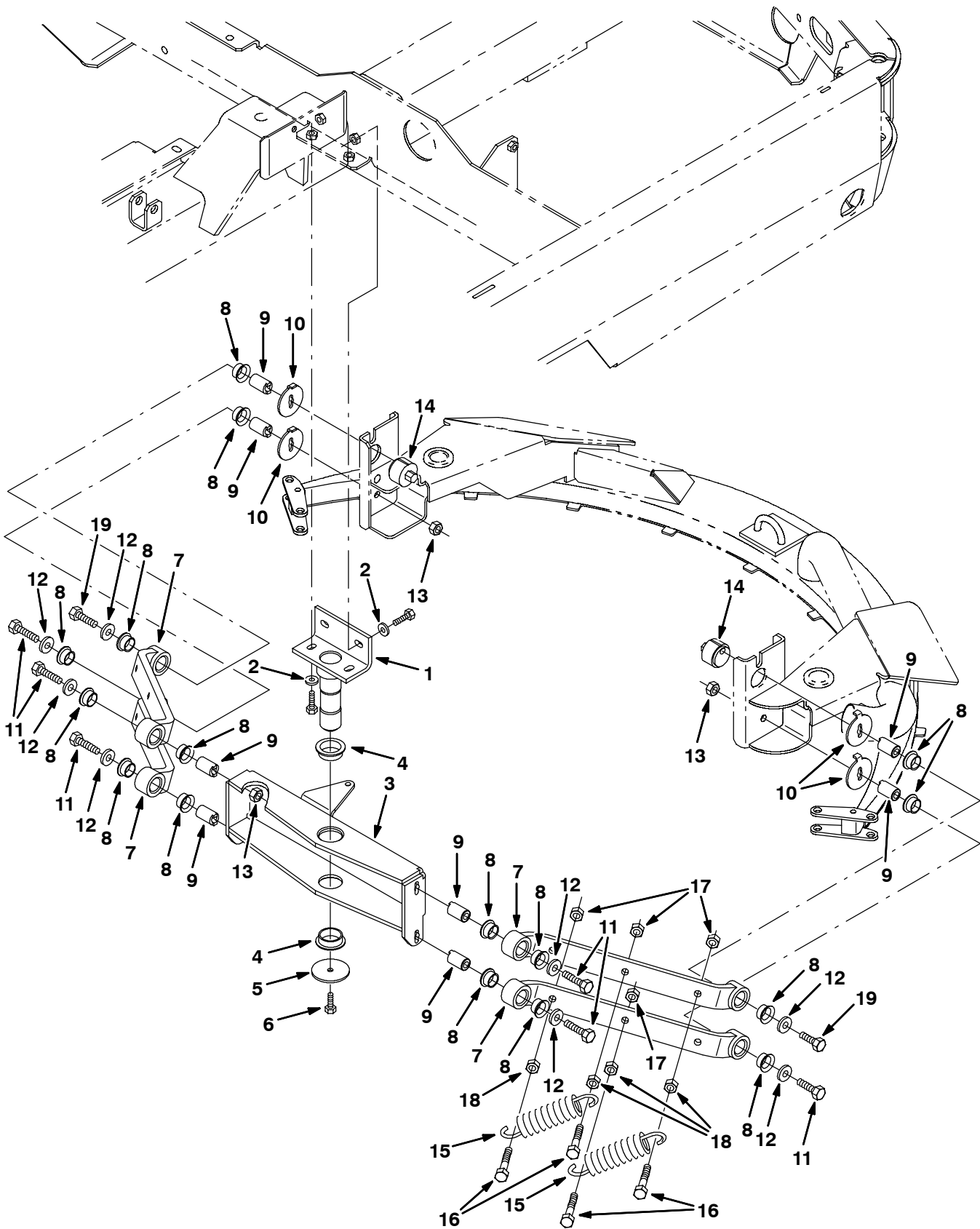


Fig. 57 - Squeegee Linkage Group, Rear

Ref.	Part No.	Serial Number	Description	Qty.
1	364221	(000000-) Pin Weldt, Pivot	1
2	41186	(000000-) Washer, Belleville, .31	4
3	364373	(000000-) Channel Weldt, Pivot	1
4	364249	(000000-) Bearing, Flange	2
5	63288	(000000-) Washer	1
6	12273	(000000-) Screw, Hex, M08-1.25 X 20, Ss	1
7	365207	(000000-) Link, Machining	4
8	04928	(000000-) Bearing	16
9	364919	(000000-) Sleeve, .75 Od .406 Id 1.176 L	8
10	364374	(000000-) Washer, Adjusting	4
11	04417	(000000-) Screw, Hex, M10-1.5 X 60, Ss	6
12	13248	(000000-) Washer	8
13	08714	(000000-) Nut, Hex, Lock, M10-1.5, NI,Ss	6
14	364216	(000000-) Cam, Hex	2
15	364222	(000000-) Spring, Extension, 3.88L 1.5D	4
16	33401	(000000-) Screw, Hex, M08-1.25 X 50, Ss Full Thread	8
17	08713	(000000-) Nut, Hex, Lock, M08-1.25,NI,Ss	8
18	07786	(000000-) Nut, Hex, Std, M08-1.25, Ss	8
19	32731	(000000-) Screw, Hex, M10-1.5 X 50, Ss	2

Fig. 58 - Squeegee Lift Group, Rear

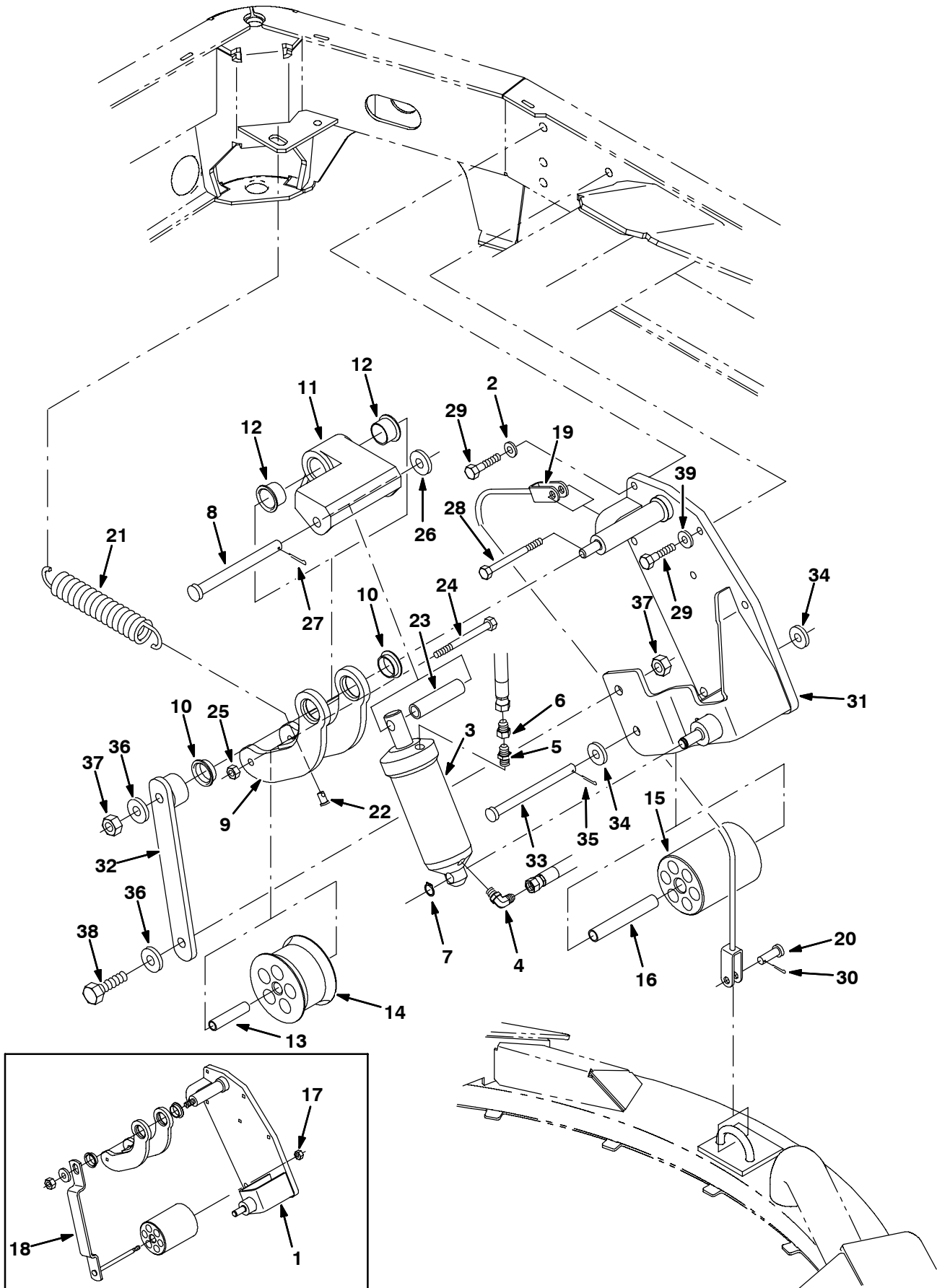
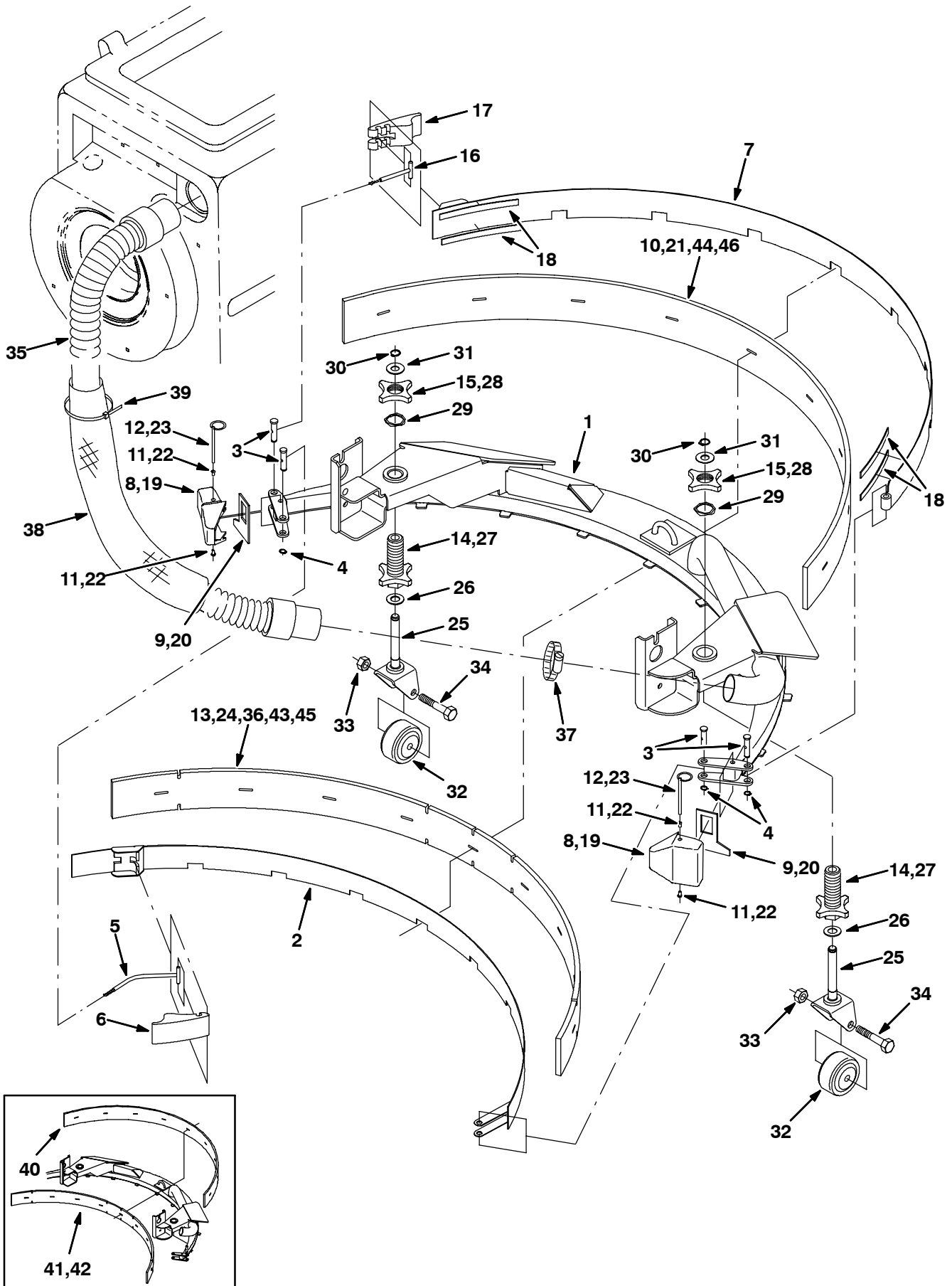


Fig. 58 - Squeegee Lift Group, Rear

Ref.	Part No.	Serial Number	Description	Qty.
1	364358	(000000-020075)	Pin Weldt (Replaced by 365296)	1
2	41186	(000000-)	Washer, Belleville, .31	3
3	54096	(000000-)	Cylinder, Hyd	1
4	77097	(000000-)	Fitting, Hyd, Elbow	1
5	55586	(000000-)	Fitting, Hyd, Str	1
6	16456	(000000-)	Fitting, Hyd, Restrictor	1
7	23524	(000000-)	Ring, Retaining	1
8	51225	(000000-)	Pin, Clevis	1
9	365213	(000000-)	Bellcrank Weldt, Lower	1
10	83733	(000000-)	Bearing	2
11	365211	(000000-)	Bellcrank Wldt, Upper	1
12	56166	(000000-)	Bearing, Flange	2
13	364369	(000000-)	Roller, Thimble	1
14	364368	(000000-)	Tube, 0.50D 0.38B 2.27L Ss	1
15	364353	(000000-)	Roller	1
16	23005	(000000-)	Sleeve	1
17	41430	(000000-020075)	Nut, Hexloc Nylon, Std, M10-1.5	1
18	365271	(000000-020075)	Bracket, Gusset, Rear	1
19	364352	(000000-)	Cable	1
20	86240	(000000-)	Pin, Clevis	1
21	23007	(000000-)	Spring, Extension	1
22	41305	(000000-)	Pin, Clevis	1
23	365277	(000000-)	Tube, .56B .75D 2.9L	1
24	39281	(000000-)	Screw, Hex, M8 X 1.25 X 90, 8.8	1
25	08709	(000000-)	Nut, Hex, Lock, M8 X 1.25, NI	1
26	41619	(000000-)	Washer, Flat, 0.56b 1.38d .11, Ss	1
27	08175	(000000-)	Pin, Cotter, .125 X 1.25	1
28	39281	(000000-)	Screw, Hex, M8 X 1.25 X 90, 8.8	1
29	41342	(000000-)	Screw, Hex, M8 X 1.25 X 40, 8.8	5
30	08719	(000000-)	Cable, Pull, 055.0l, .3clevis / None	1
31	365406	(020076-)	Bracket Wldt, Sqge Lift	1
32	1016156	(020076-)	Plate Wldt, Stiffener [8200/8210]	1
33	1018328	(020076-)	Pin, Clevis, .44d X 5.5l	1
34	32492	(020076-)	Washer, Flat, 0.38 Std	2
35	08182	(020076-)	Pin, Cotter, .125 X 1.00	1
36	32486	(020076-)	Washer, Flat, 0.50 Sae	2
37	08711	(020076-)	Nut, Hex, Lock, M12 X 1.75,NI	1
38	06968	(020076-)	Screw, Hex, M12 X 1.75 X 35, 8.8	1
39	32485	(000000-)	Washer, Flat, 0.38 Sae	2

Fig. 59 - Squeegee Group, Rear



This page has been updated since the last printing.

351456 - ALL

Fig. 59 - Squeegee Group, Rear

Ref.	Part No.	Serial Number	Description	Qty.
▽		365139	(000000-) Squeegee Assy Kit, Replmt [8200/8210]	1
▲	1	364200	(000000-) Frame Wldt, Sqge	1
▲	2	364215	(000000-) Strip, Front Retainer	1
▲	3	21603	(000000-) Pin	4
▲	4	24555	(000000-) Ring, Retaining, External	4
▲	5	83794	(000000-) Rod	1
▲	6	21601	(000000-) Cam	1
▲	7	364213	(000000-) Strip, Rear Retainer	1
▲	8	21586	(000000-) Bumper, Squeegee	2
▲	9	83874	(000000-) Gasket	2
▲	10	365323	(006183-) Blade, Squeegee, Rear, Linatex	1
▲	11	79219	(000000-) Retainer	4
▲	12	71199	(000000-) Pin, Hitch	2
▲	13	365322	(006183-) Blade, Squeegee, Front, Linatex (5 slot)	1
▲	14	77228	(000000-) Knob, Adj	1
▲	15	77227	(000000-) Knob, Jam	1
▲	16	21606	(000000-) Pin	1
▲	17	21602	(000000-) Cam	1
▲	18	03495	(000000-) Strip, Nonslip	4
▽		365140	(000000-) Squeegee Kit, Rear 8200/8210	1
▲	19	21586	(000000-) Bumper, Squeegee	2
▲	20	83874	(000000-) Gasket	2
▲	21	365323	(006183-) Blade, Squeegee, Rear, Linatex	1
▲	22	79219	(000000-) Retainer	4
▲	23	71199	(000000-) Pin, Hitch	2
▲	24	365322	(006183-) Blade, Squeegee, Front, Linatex (5 slot)	1
▽		78979	(000000-) Kit, Caster, Squeegee	2
▲	25	84593	(000000-) Pivot	1
▲	26	07450	(000000-) Bearing, Thrust	1
▲	27	77228	(000000-) Knob, Adj	1
▲	28	77227	(000000-) Knob, Jam	1
▲	29	79217	(000000-) Washer	1
▲	30	01516	(000000-) Ring, Retaining	1
▲	31	77272	(000000-) Washer	1
▲	32	20833	(000000-) Wheel, 3 Inch Dia	1
▲	33	02931	(000000-) Nut, Hex, Lock, .50-13, NI, Ss	1
▲	34	81952	(000000-) Screw	1
	35	364419AM	(000000-) Hose Assy, W/2cuff, 2.0d 75l 2.0/2.0	1
	36	365324	(006183-) Blade, Squeegee, Front Tile, Linatex (1 slot)	1
	37	14432	(000000-) Clamp, Hose, Wormdrive, 1.81-2.75d	1
	38	1020022	(000000-) Sleeve, Nyl 2.88 Id 35.00 L	1
	39	44961	(000000-) Tie, Cable, Nyl, 14.5l .30w 4.0 Max D	2
	40	364351	(000000-006182) Blade, Squeegee, Rear (Repl by 365381)	1
	41	364350	(000000-006182) Blade, Squeegee, Front (Repl by 365381)	1
	42	365240	(000000-006182) Blade, Squeegee, Front Tile (Repl by 365382)	1
▽		365383	(000000-) Blade Kit, Sqge, Ure, 5sl, Replmt	1
▲	43	365325	(000000-) Blade, Sqge, Front, 56.88l Ure, 5sl	1
▲	44	365326	(000000-) Blade, Sqge, Rear, 64.13l Ure	1
▽		365384	(000000-) Blade Kit, Sqge, Ure, 1sl, Replmt	1
▲	45	365380	(000000-) Blade, Sqge, Front, Ure, 1sl	1
▲	46	365326	(000000-) Blade, Sqge, Rear, 64.13l Ure	1

Fig. 60 - Solution Tank Group

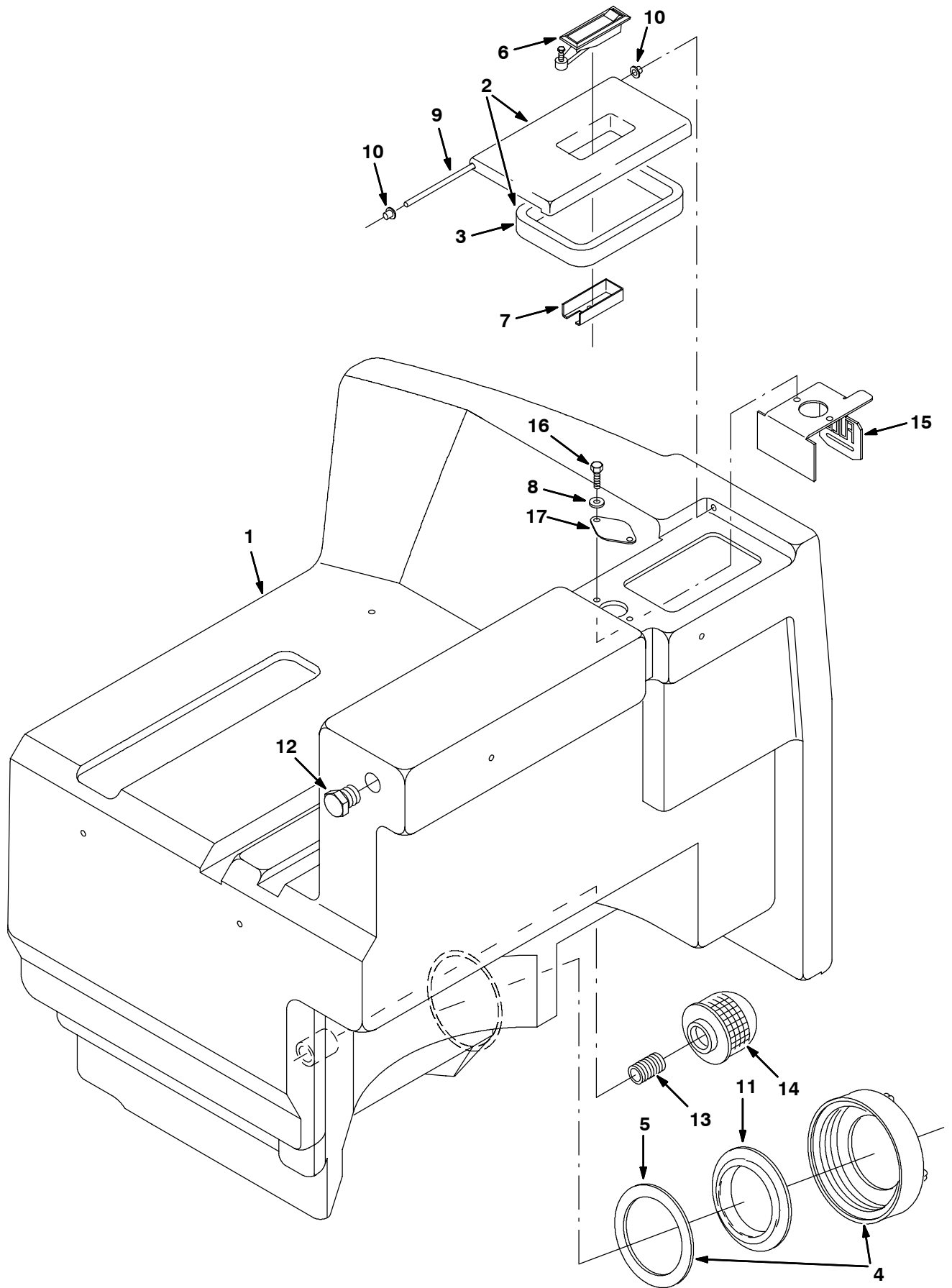


Fig. 60 - Solution Tank Group

Ref.	Part No.	Serial Number	Description	Qty.
	1	364336	(000000-) Tank, Solution	1
▽	2	365123	(000000-) Cover, Solution Tank, W/Seal	1
▲	3	364831	(000000-) Gasket, Tank, Solution	1
▽	4	24358	(000000-) Cap, Tank	1
▲	5	375200	(000000-) Gasket	1
	6	64533	(000000-) Latch, Trigger	1
	7	364834	(000000-) Channel, Latch, Cover, Sol.	1
	8	01684	(000000-) Washer, Flat, .25 Ss	2
	9	364437	(000000-) Pin, Hinge, Cover, Sol Tank	1
	10	49740	(000000-) Cap, Plastic	2
	11	86636	(000000-) Cover, Tank	1
	12	75611	(000000-) Fitting, Plug	1
	13	223499	(000000-) Fitting, Plstc	1
	14	20810	(000000-) Strainer, Screen, Solution Tank	1
	15	364673	(000000-) Bracket, Level, Water	1
	16	15678	(000000-) Screw, Hex, M06-1.0 X 16, Ss	2
	17	364975	(000000-) Plug, Float Switch	1

Fig. 61 - Recovery Tank Group

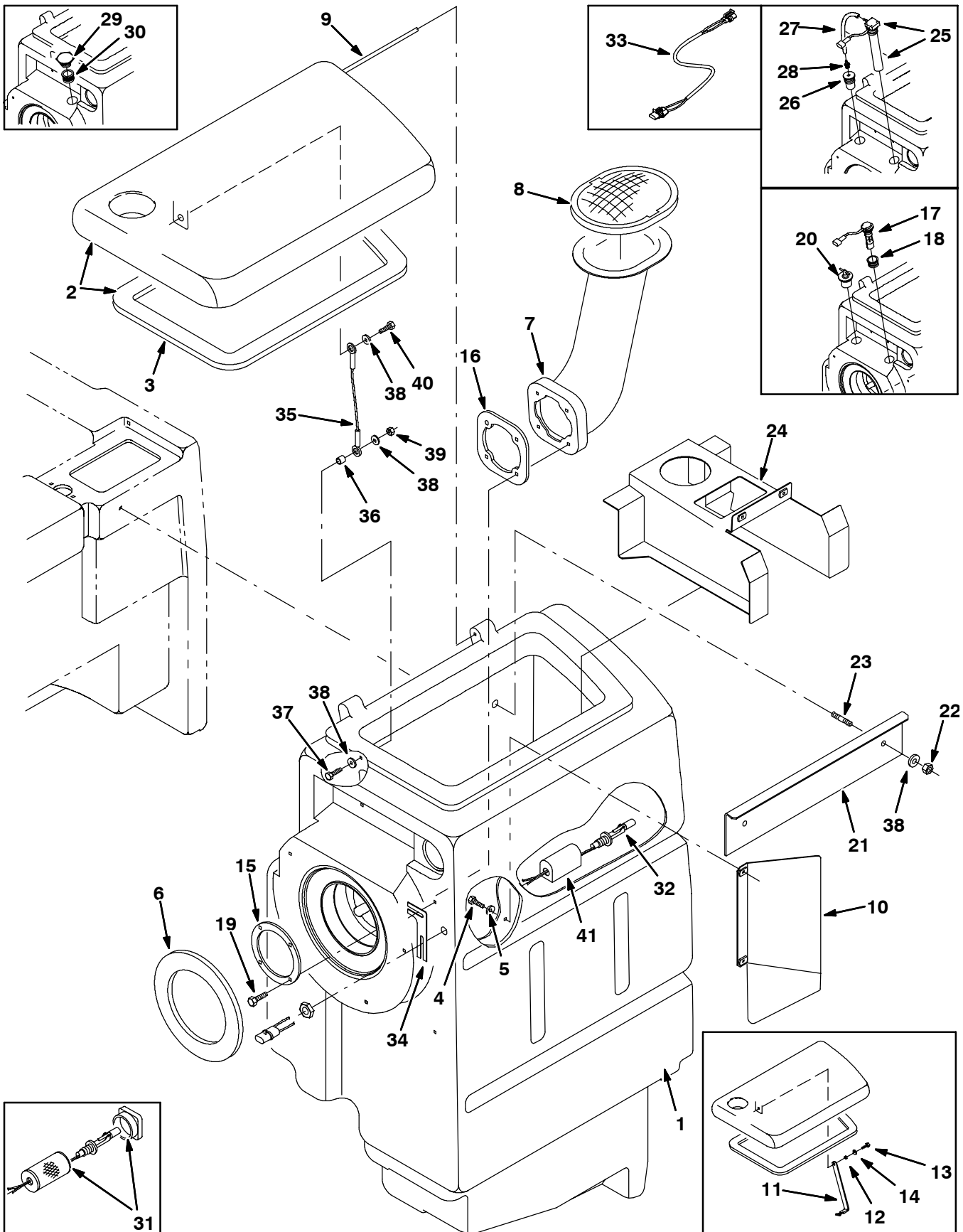


Fig. 61 - Recovery Tank Group

Ref.	Part No.	Serial Number	Description	Qty.
	1	365257	(000000-006075) Kit, Recovery Tank	1
	1	365251	(006076-) Tank, Recovery	1
▽	2	365124	(000000-) Cover, Recovery Tank, W/Seal	1
▲	3	364435	(000000-) Gasket, Cover, Recovery Tank	1
	4	08716	(000000-) Screw, Hex, M06-1.0 X 20, Ss	2
	5	01684	(000000-) Washer, Flat, .25 Ss	2
	6	364451	(000000-) Gasket, Mtg, Fan	1
	7	364381	(000000-) Duct, Snorkel, Recovery Tank	1
	8	364725	(000000-) Screen, Snorkel	1
	9	364438	(000000-) Pin, Hinge, Recovery Cover	1
	10	364762	(000000-) Bracket, Tank, Deflector	1
	11	364395	(000000-006708) Bar, Cover, Prop	1
	12	360801	(000000-006708) Sleeve	1
	13	09010	(000000-006708) Screw, Hex, M08-1.25 X 25, Ss	1
	14	01685	(000000-006708) Washer, Flat, .31 Ss	1
	15	364394	(000000-) Ring, Retaining, Snorkel Duct	1
	16	364436	(000000-) Gasket, Snorkel Duct	1
	17	393321	(000000-006214) Kit, Press Switch, Non Es, [8200/10]	1
	18	223528	(000000-006214) Grommet, Level	1
	19	364441	(000000-) Scr Hexssm 8X1.25 110	4
	20	398850	(000000-006214) Plug, Expandable, 1.5D 1.8L	1
	21	364619	(000000-) Angle, Mtg, Tank, Rec	1
	22	08713	(000000-) Nut, Hex, Lock, M08-1.25,Nl,Ss	2
	23	30327	(000000-) Stud, M8X1.25 25 8.8 Pltd	2
	24	365250	(006076-) Bracket, Stiffener, Recovery Tank	1
	25	375426	(006215-006708) Switch Assy, Press, 3 Inch, 8" Tube	1
	26	385750	(006215-006708) Tube Assembly, 2 in	1
	27	57578	(006215-006708) Hose, Vacuum	1
	28	40607	(006215-006708) Fitting, Straight	1
	29	49745	(006709-006756) Fitting, Plstc, Plug, Pm16	2
	30	223528	(006709-006756) Grommet, Level Sensing, 1.6d 9.6l F/1.4h	2
	31	375302	(006709-020027) Strainer, Switch, Grd Rep.By1023713	1
	32	222822	(006709-) Sensor, Level, Liquid, 30w [Mag]	1
	33	369766	(006709-019999) Harness, Sensor, Jumper	1
	34	365414	(006709-) Plate, Align, Switch, Level, Liquid	1
	35	87172	(006709-) Cable, .13d, 10.0l, .51eye /.51eye	1
	36	46563	(006709-) Bushing, Sleeve, 0.37b 0.50d 0.50l Oib	1
	37	09010	(006709-) Screw, Hex, M8 X 1.25 X 25, Ss	1
	38	01685	(006709-) Washer, Flat, 0.31 Ss	5
	39	07785	(006709-) Nut, Hex, Std, M06 X 1.0 , Ss	1
	40	09740	(006709-) Screw, Hex, M8 X 1.25 X 20, Ss	1
	41	1019285	(020028-) Bracket, Protector, Float Switch	1

Fig. 62 - Recovery Tank Drain Group

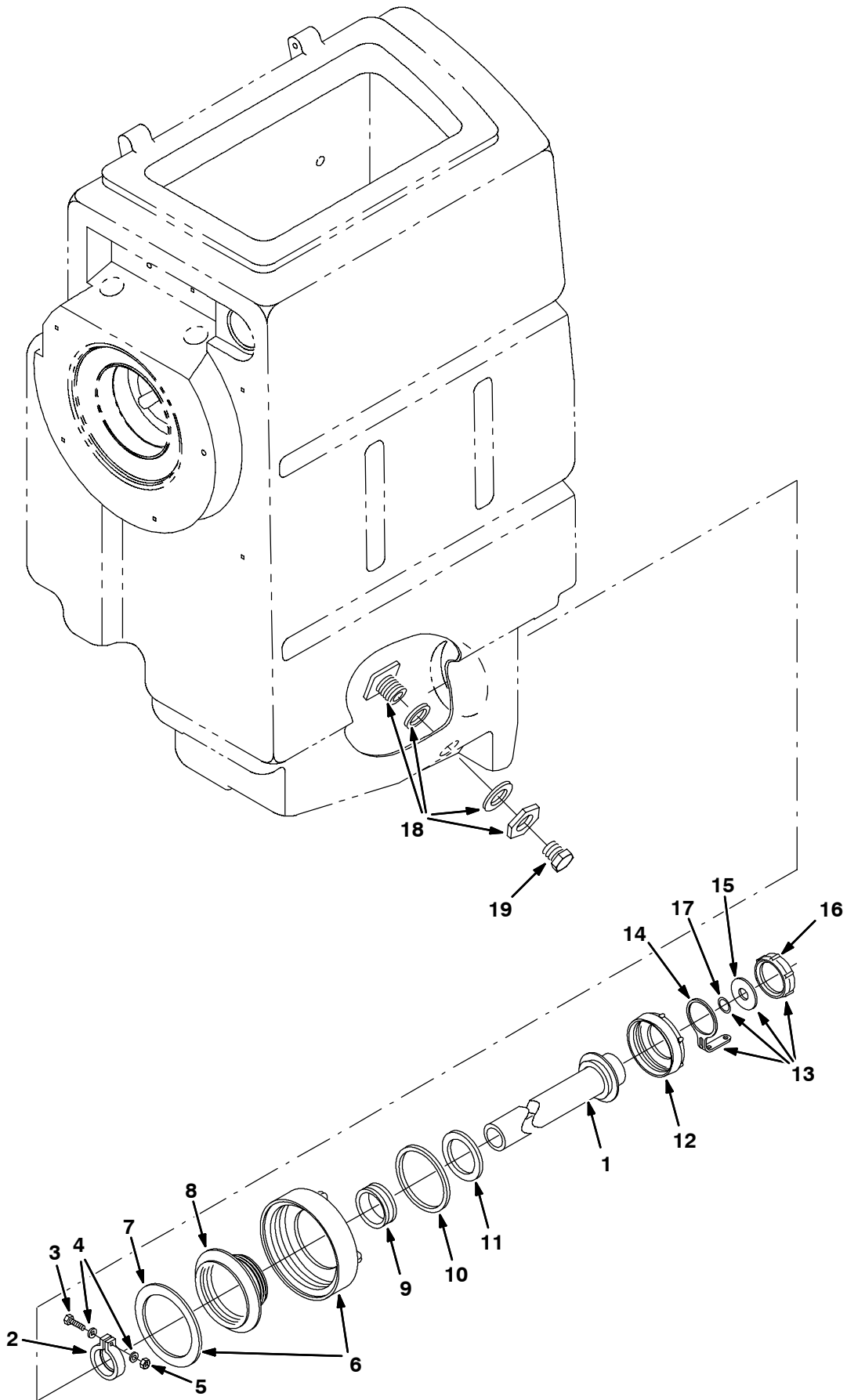


Fig. 62 - Recovery Tank Drain Group

	Ref.	Part No.	Serial Number	Description	Qty.
▽		223533	(000000-) Hose Assembly, Drain	1
▲	1	24174	(000000-) Hose, Drain	1
▲	2	41454	(000000-) Clamp, Hose	1
▲	3	12316	(000000-) Screw, Hex, M05-0.8 X 25, Ss	1
▲	4	01683	(000000-) Washer, Flat, #10 Ss	2
▲	5	09739	(000000-) Nut, Hex, Lock, M05-0.8, NI,Ss	1
▲▽	6	24358	(000000-) Cap, Tank	1
▲▲	7	375200	(000000-) Gasket	1
▲	8	14864	(000000-) Cover, Insert	1
▲	9	41421	(000000-) Seal, Hose	1
▲	10	79320	(000000-) Gasket	1
▲	11	41451	(000000-) Gasket	1
▲	12	14880	(000000-) Cap, Drain Hose	1
▲▽	13	32501	(000000-) Kit, Cap, Drain	1
▲▲	14	32508	(000000-) Strap Cap Retainer	1
▲▲	15	32614	(000000-) Gasket	1
▲▲	16	32613	(000000-) Cap, Drain	1
▲▲	17	32669	(000000-) Ring, Retaining	1
	18	377349	(000000-) Fitting, Plstc, Bkhd, Pf12/Pf12	1
	19	75611	(000000-) Fitting, Plug	1

Fig. 63 - Solution Control Group

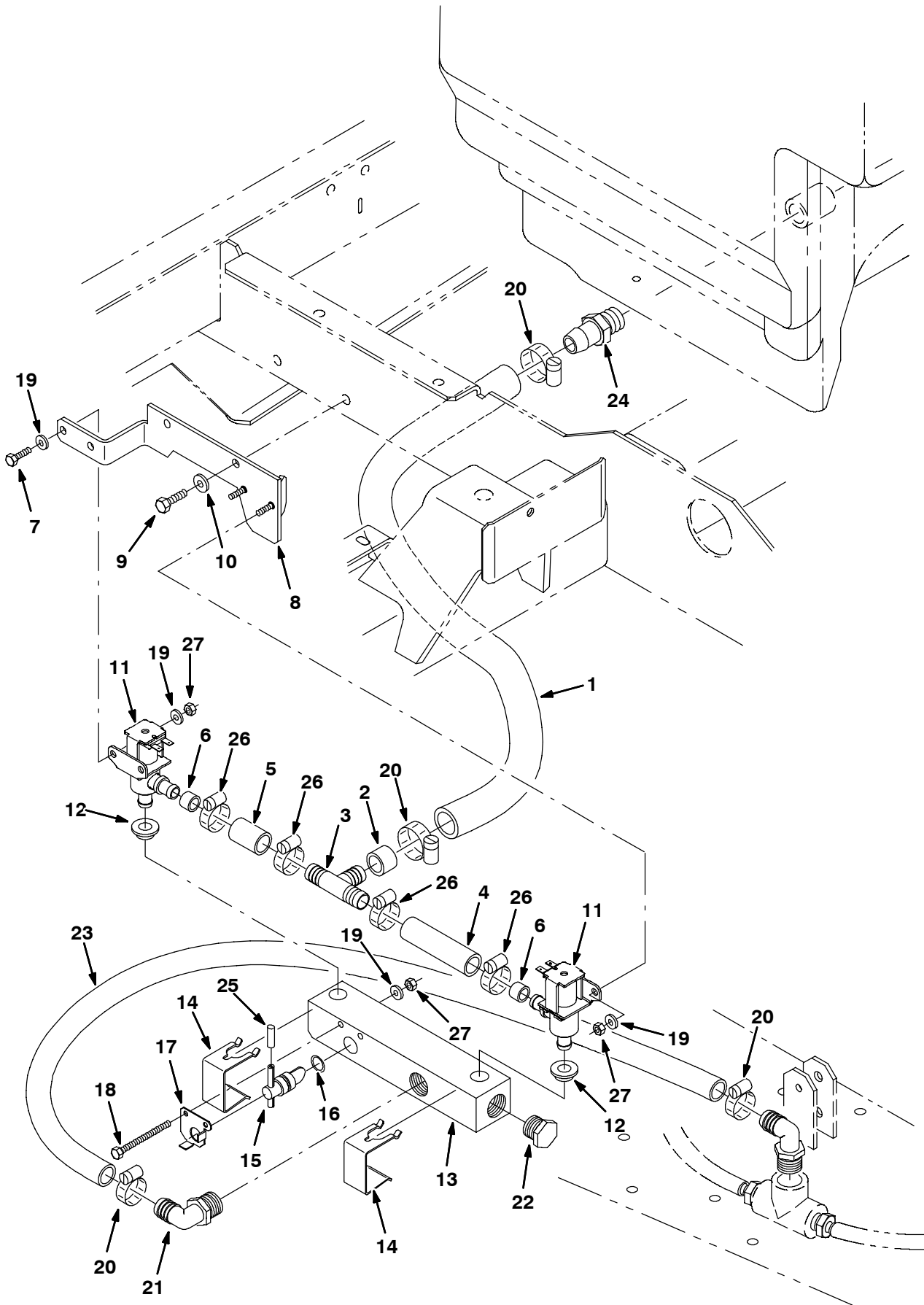


Fig. 63 - Solution Control Group

Ref.	Part No.	Serial Number	Description	Qty.
1	365046	(000000-) Hose, Vin Brd 1.0Id1.4Od15.8Ol	1
2	364712	(000000-) Hose, Vinyl .75Id 1.03Od .75Lg	1
3	41315	(000000-) Fitting, Plstc, Tee	1
4	365026	(000000-) Hose, Vin Brd .75Id1.0Od 3.75L	1
5	16914	(000000-) IHose, Pvc, Brd, 0.75id 1.03od 02.00l	1
6	84095	(000000-) Hose, Vinyl Clear	2
7	15678	(000000-) Screw, Hex, M06-1.0 X 16, Ss	2
8	364637	(000000-) Bracket Wldt, Solenoid Valves	1
9	09740	(000000-) Screw, Hex, M08-1.25 X 20, Ss	2
10	01685	(000000-) Washer, Flat, .31 Ss	2
11	369850	(000000-) Valve, Water, Sol .50 Hose 12V	2
12	364954	(000000-) Grommet, Water Valves	2
13	364950	(000000-) Manifold, Water, Sol Valves	1
14	365039	(000000-) Bracket, Valve Retaining	2
15	365043	(000000-) Shaft Ass'Y, Water Manifold	1
16	365042	(000000-) Seal, O-Ring .549Id X .103Thk	1
17	365040	(000000-) Bracket, Shaft Retaining	1
18	09771	(000000-) Screw, Hex, M06-1.0 X 70, Ss	2
19	01684	(000000-) Washer, Flat, .25 Ss	8
20	11399	(000000-) Clamp, Wormdrive	4
21	365093	(000000-) Fitting, Plstc, Elbow	1
22	75611	(000000-) Fitting, Plug	1
23	365044	(000000-) Hose, Special 3.4X30.5 Lg W/1.	1
24	364620	(000000-) Ftg, Plastic Str 16Bm/16Pm	1
25	365179	(000000-) Cap	1
26	63810	(000000-) Clamp, Wormdrive	4
27	08712	(000000-) Nut, Hex, Lock, M6 X 1.0, Ss, NI	6

Fig. 64 - Scrubbing Vacuum Fan Group

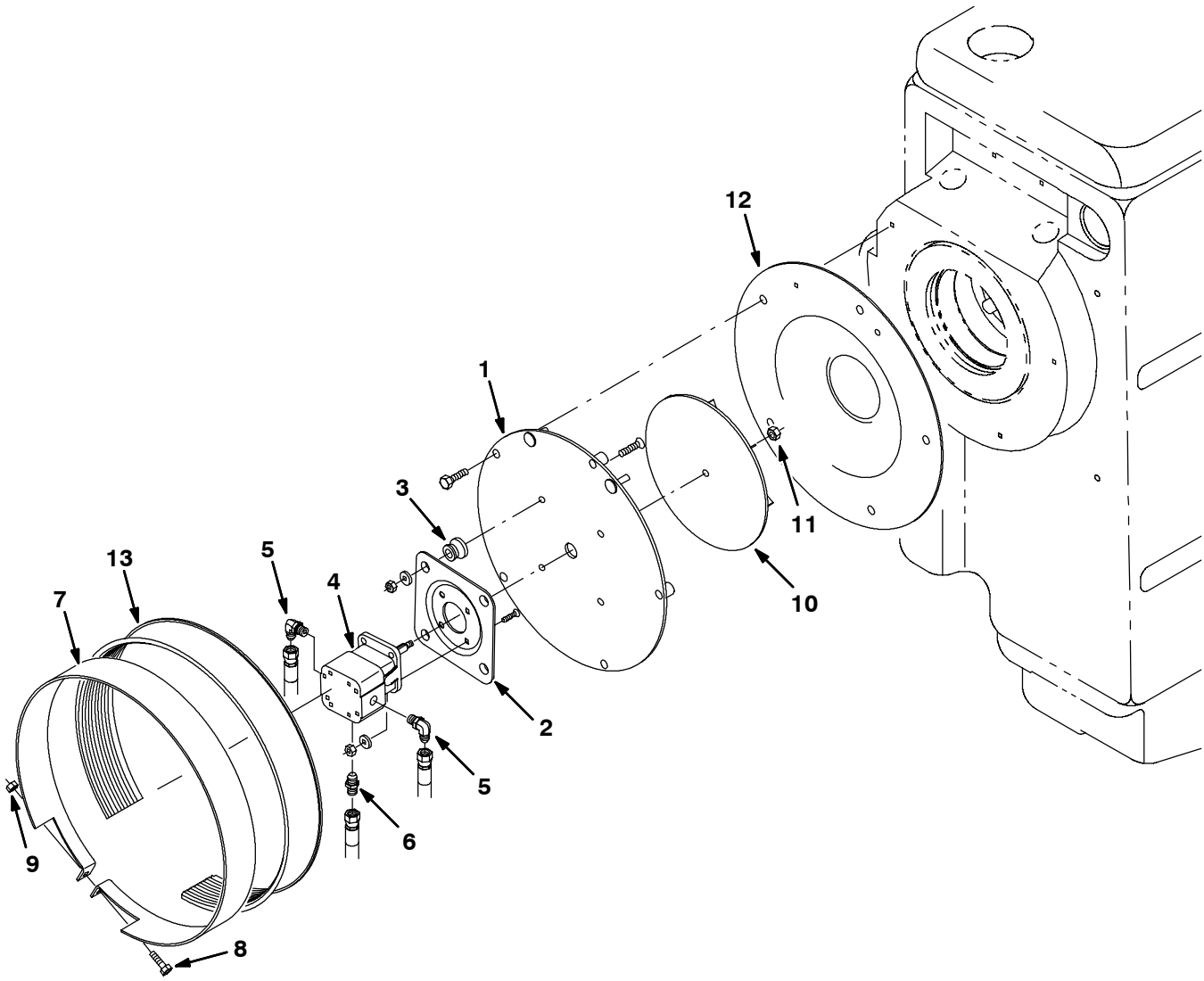


Fig. 64 - Scrubbing Vacuum Fan Group

Ref.	Part No.	Serial Number	Description	Qty.
1	364486	(000000-) Fan Wldt, Vac (See Breakdowns)	1
2	54275A	(000000-) Bracket, Mtg	1
3	54274	(000000-) Isolator, Vibration	4
4	364107	(000000-) Motor, Hyd Gear (See Breakdowns)	1
5	44868	(000000-) Fitting, Hyd, Elbow	2
6	55586	(000000-) Fitting, Hyd, Str	1
7	364621	(000000-) Clamp, Retaining, Molding, Fan	1
8	364441	(000000-) Scr Hexssm 8X1.25 110	1
9	08713	(000000-) Nut, Hex, Lock, M08-1.25,NI,Ss	1
10	365186	(000000-) Impeller, 9.06D X .500B, Bal.	1
11	41130	(000000-) Nut - Low Crown .50-20	1
12	364746	(000000-) Plate, Inlet, Fan (Painted)	1
13	364442	(000000-) Molding, Fan Discharge	1

Fig. 65 - Sweeping Vacuum Fan Group

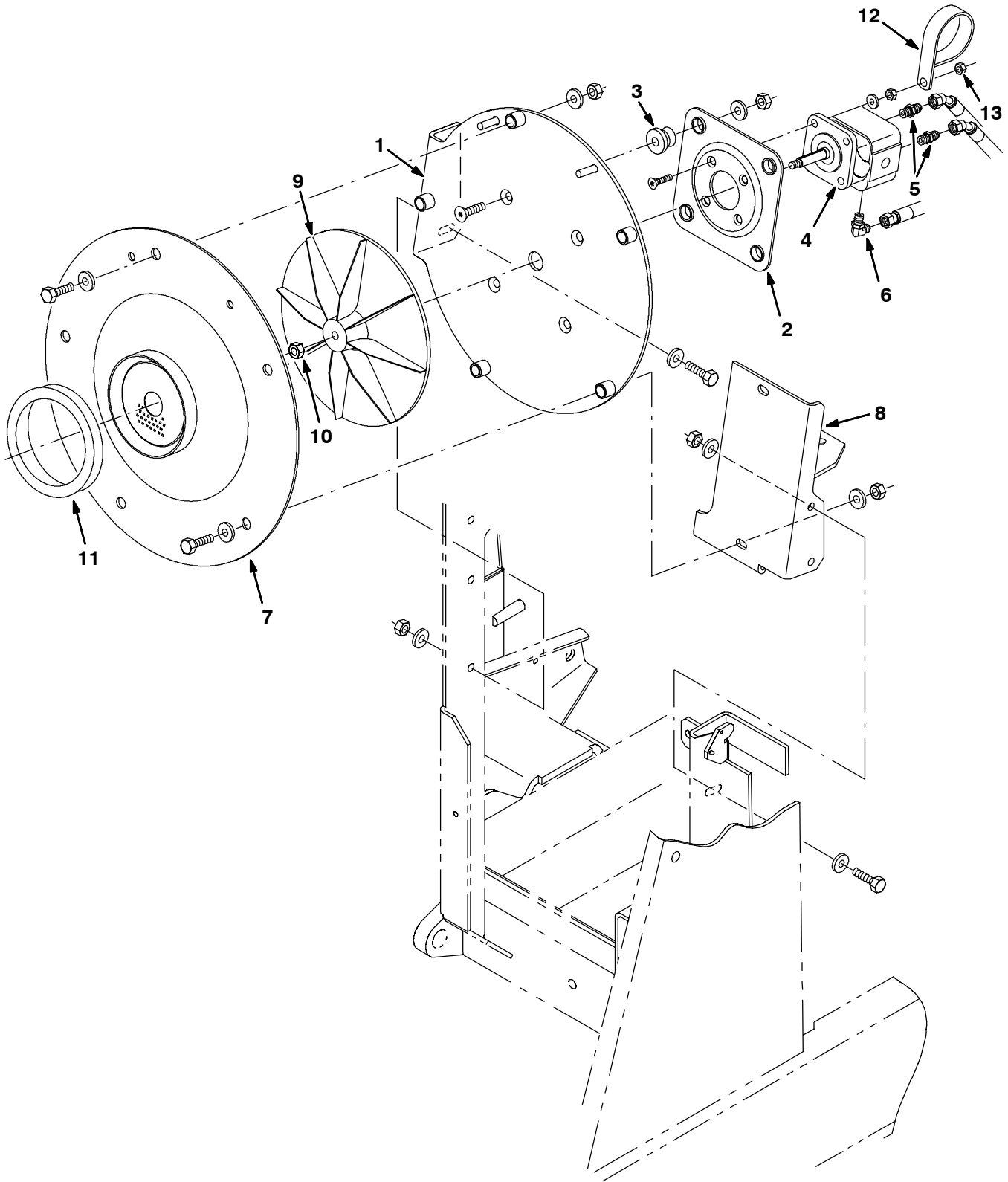
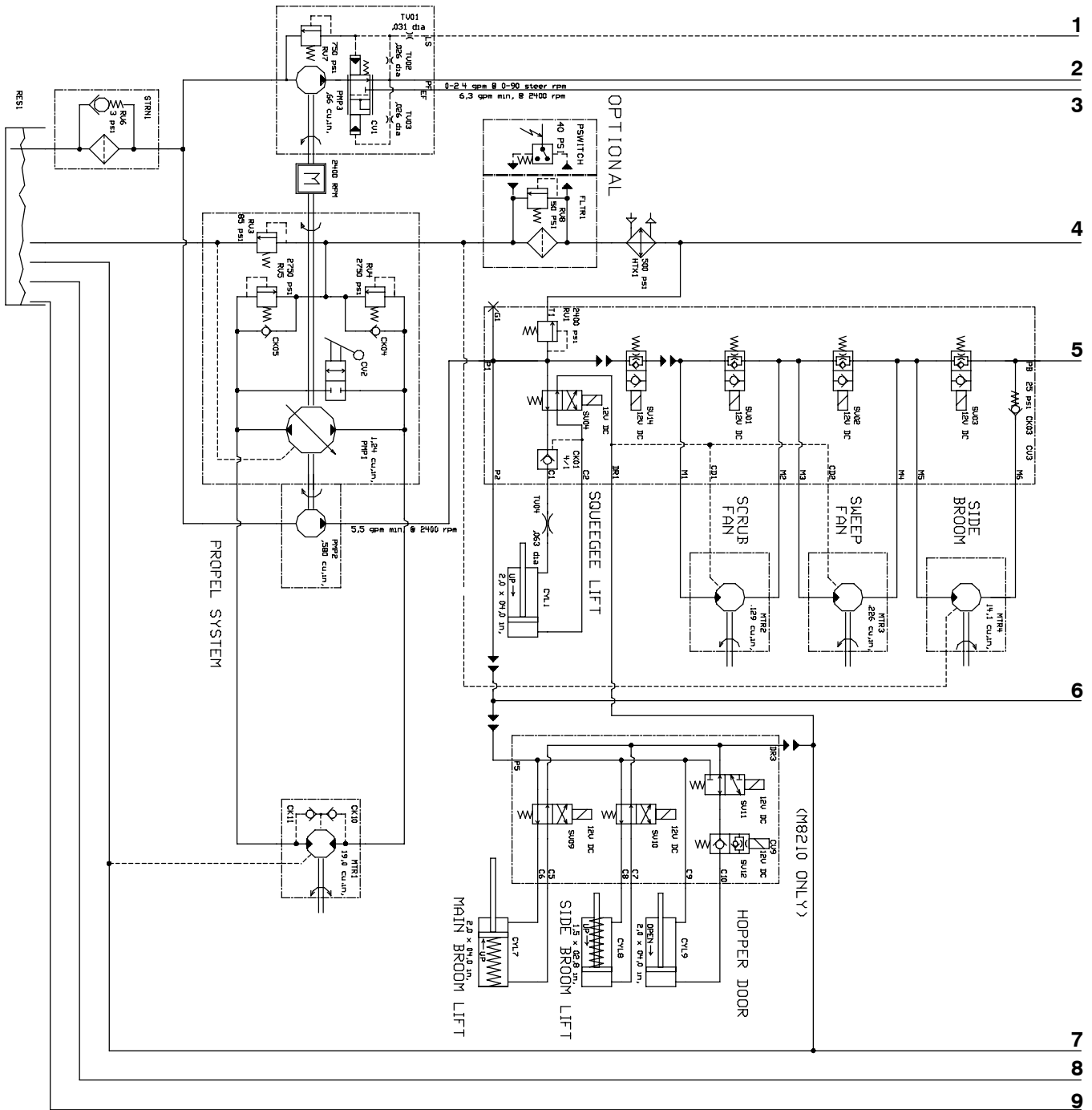


Fig. 65 - Sweeping Vacuum Fan Group

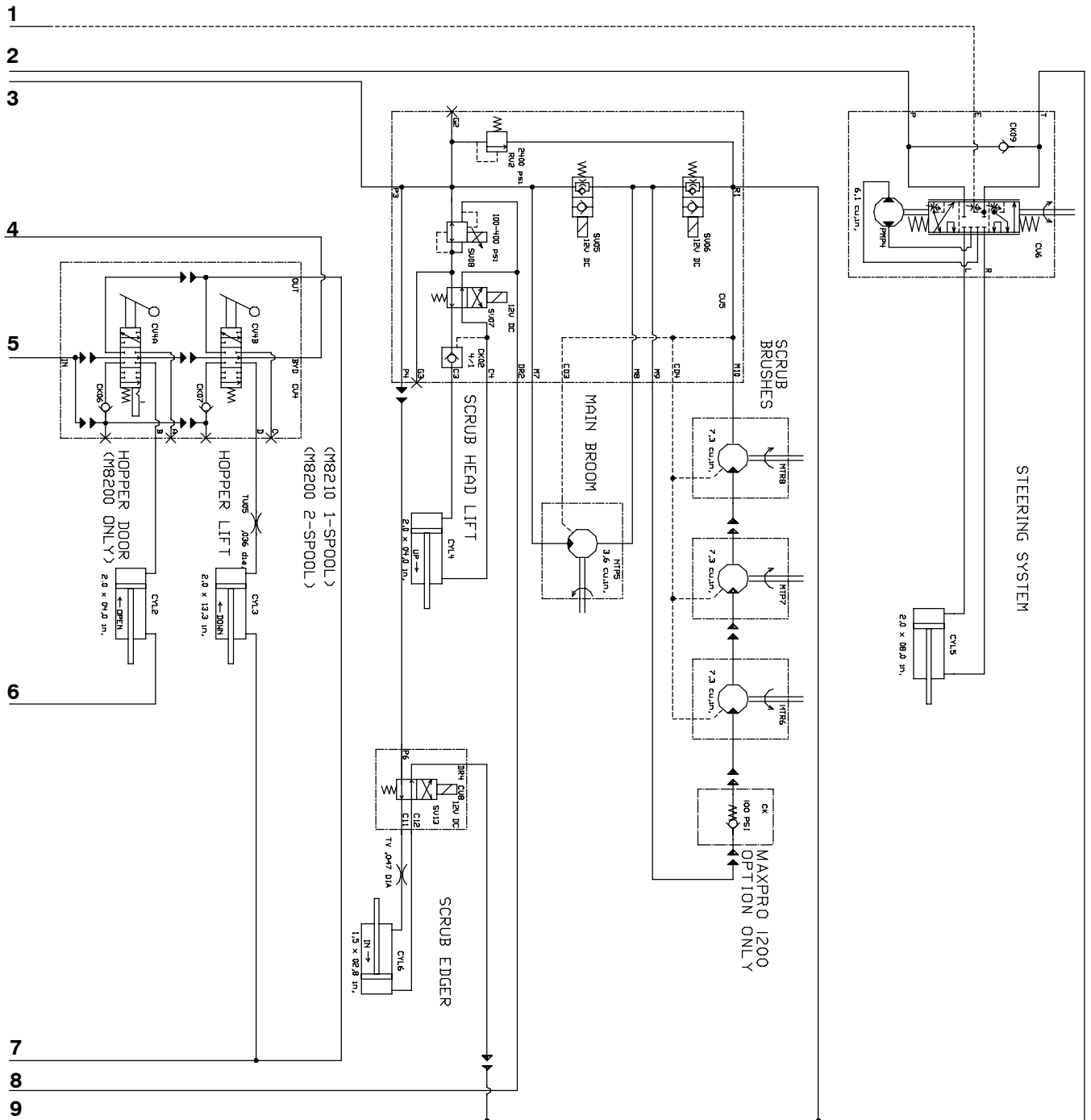
Ref.	Part No.	Serial Number	Description	Qty.
1	364525	(000000-) Fan Wldt, Vac Sweeper	1
2	54275A	(000000-) Bracket, Mtg	1
3	54274	(000000-) Isolator, Vibration	4
4	364112	(000000-) Motor, Hyd Gear (See Breakdowns)	1
5	44869	(000000-) Fitting, Hyd, Str	2
6	77097	(000000-) Fitting, Hyd, Elbow	1
7	364741	(000000-) Fan Wldt, Inlet Plate	1
8	364392	(000000-019999) Angle, Fan Mounting	1
8	1013134	(020000-) Angle, Fan Mounting	1
9	364523	(000000-) Impeller, 9.06D X .500B, Bal.	1
10	41130	(000000-) Nut - Low Crown .50-20	1
11	364764	(000000-) Seal, Assy, Bulb	1
12	34312	(000000-) Clamp, Cable, Stl, 3.00D X 1.00W, 1H	1
13	07791	(000000-) Nut, Hex, Flng, M08 X 1.25	1

Fig. 66 - Hydraulic Schematic



351672 - ALL

Fig. 66 - Hydraulic Schematic



351672 - ALL

Fig. 67 - Hydraulic Hose Group

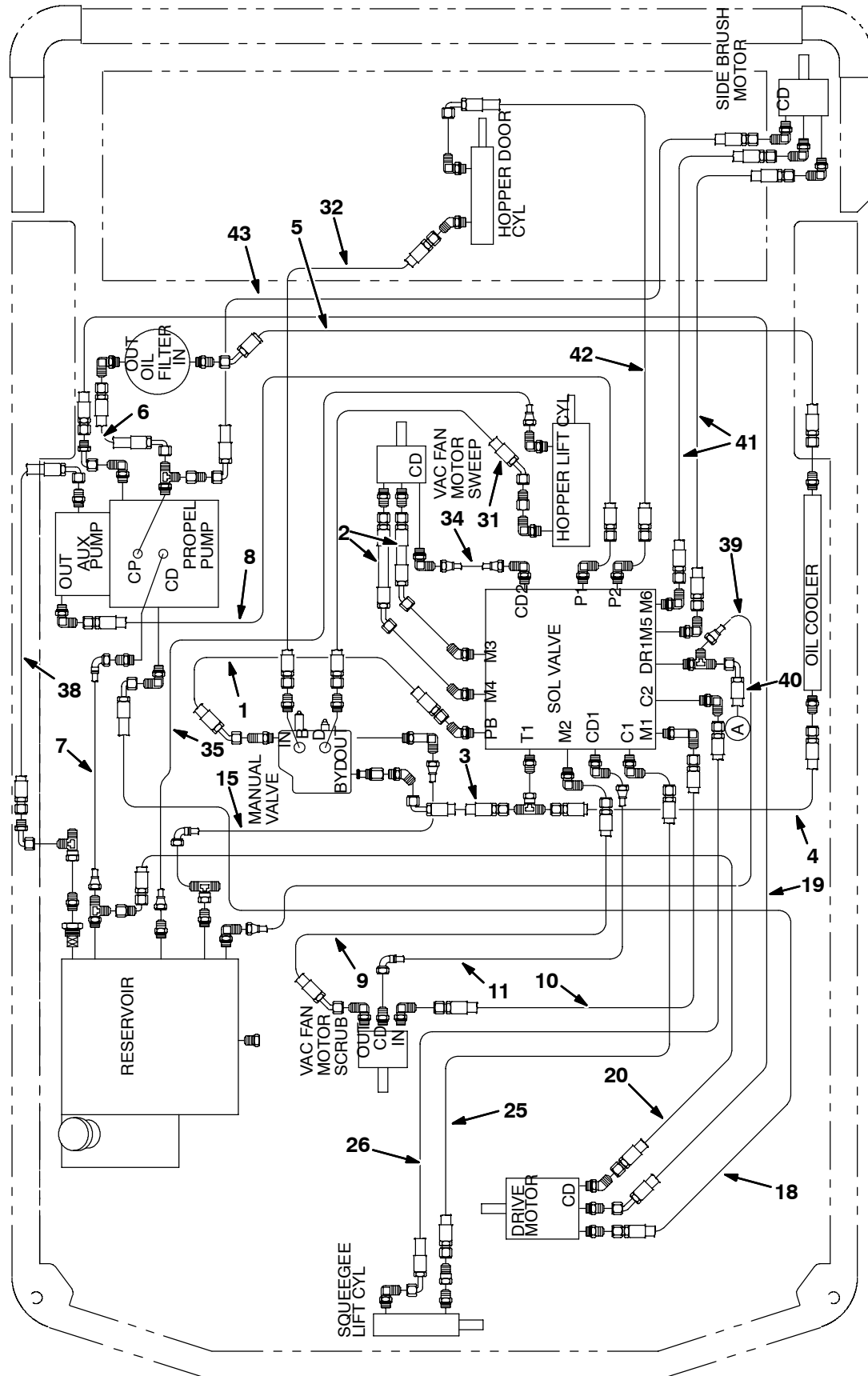


Fig. 67 - Hydraulic Hose Group

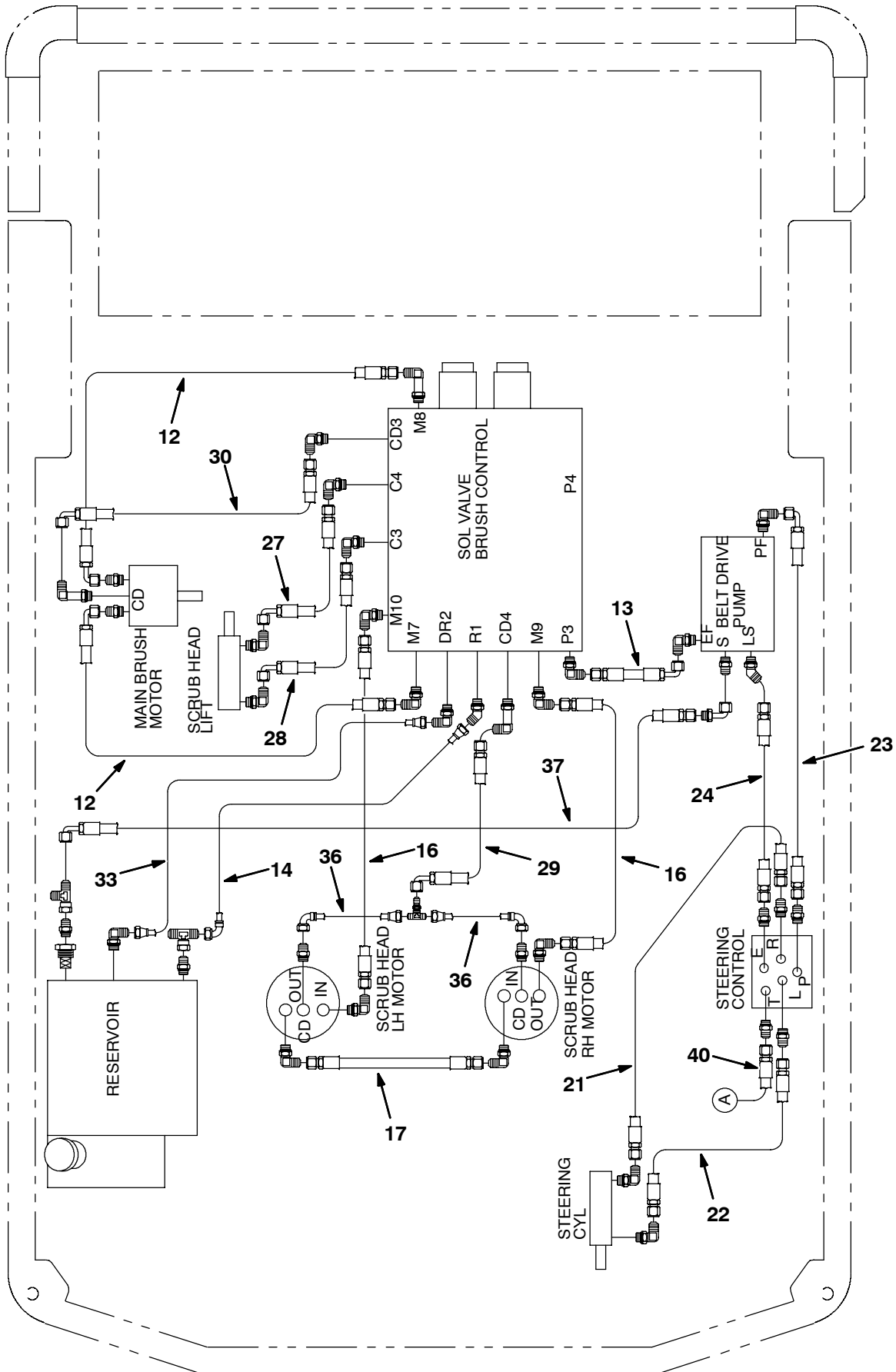


Fig. 67 - Hydraulic Hose Group

Ref.	Part No.	Serial Number	Description	Qty.
1	364977	(000000-) Hose-Hyd Med08	1
2	82506	(000000-) Hose, Hyd	2
3	57576	(000000-) Hose, Hyd	1
4	364980	(000000-) Hose-Hyd Med08	1
5	16463	(000000-) Hose, Hyd	1
6	59578	(000000-) Hose, Hyd	1
7	71557	(000000-) Hose, Hyd	1
8	365056	(000000-) Hose-Hyd Med 08	1
9	364978	(000000-) Hose-Hyd Med08	1
10	364981	(000000-) Hose-Hyd Med08	1
11	34368	(000000-) Hose, Hyd	1
12	365004	(000000-) Hose-Hyd Ar 08	2
13	55697	(000000-019999) Hose, Hyd	1
13	82818	(020000-) Hose, Hyd	1
14	364964	(000000-) Hose-Hyd Low08	1
15	365003	(000000-) Hose-Hyd Low08	1
16	365007	(000000-) Hose-Hyd Ar 04	2
17	55696	(000000-) Hose, Hyd	1
18	365014	(000000-) Hose-Hyd Ar 10	1
19	365013	(000000-) Hose-Hyd Ar 10	1
20	365058	(000000-) Hose-Hyd Med04	1
21	77304	(000000-) Hose, Hyd	1
22	364984	(000000-) Hose-Hyd Med06	1
23	59560	(000000-) Hose, Hyd	1
24	364993	(000000-) Hose-Hyd Med04	1
25	31568	(000000-) Hose, Hyd	1
26	57963	(000000-) Hose, Hyd	1
27	364985	(000000-) Hose-Hyd Med04	1
28	19645	(000000-) Hose, Hyd	1
29	365005	(000000-) Hose-Hyd Ar 04	1
30	365006	(000000-) Hose-Hyd Ar 04	1
31	364990	(000000-) Hose-Hyd Med04	1
32	364991	(000000-) Hose-Hyd Med04	1
33	364998	(000000-) Hose-Hyd Low06	1
34	365057	(000000-) Hose-Hyd Low04	1
35	364999	(000000-) Hose-Hyd Low06	1
36	82805	(000000-) Hose, Hyd	2
37	365091	(000000-019999) Hose-Hyd Suc16	1
37	1017713	(020000-) Hose-Hyd Suc16, Jf16 Str/Jf16E90, 40	1
38	33723	(000000-) Hose, Hyd	1
39	365000	(000000-) Hose-Hyd Low06	1
40	364983	(000000-) Hose-Hyd Med06	1
41	365092	(000000-) Hose-Hyd Ar 06	2
42	87652	(000000-) Hose-Hyd Med04	1
43	71749	(000000-) Hose, Hyd	1

Fig. 68 - Hydraulic Pump Linkage Group (00000-019999)

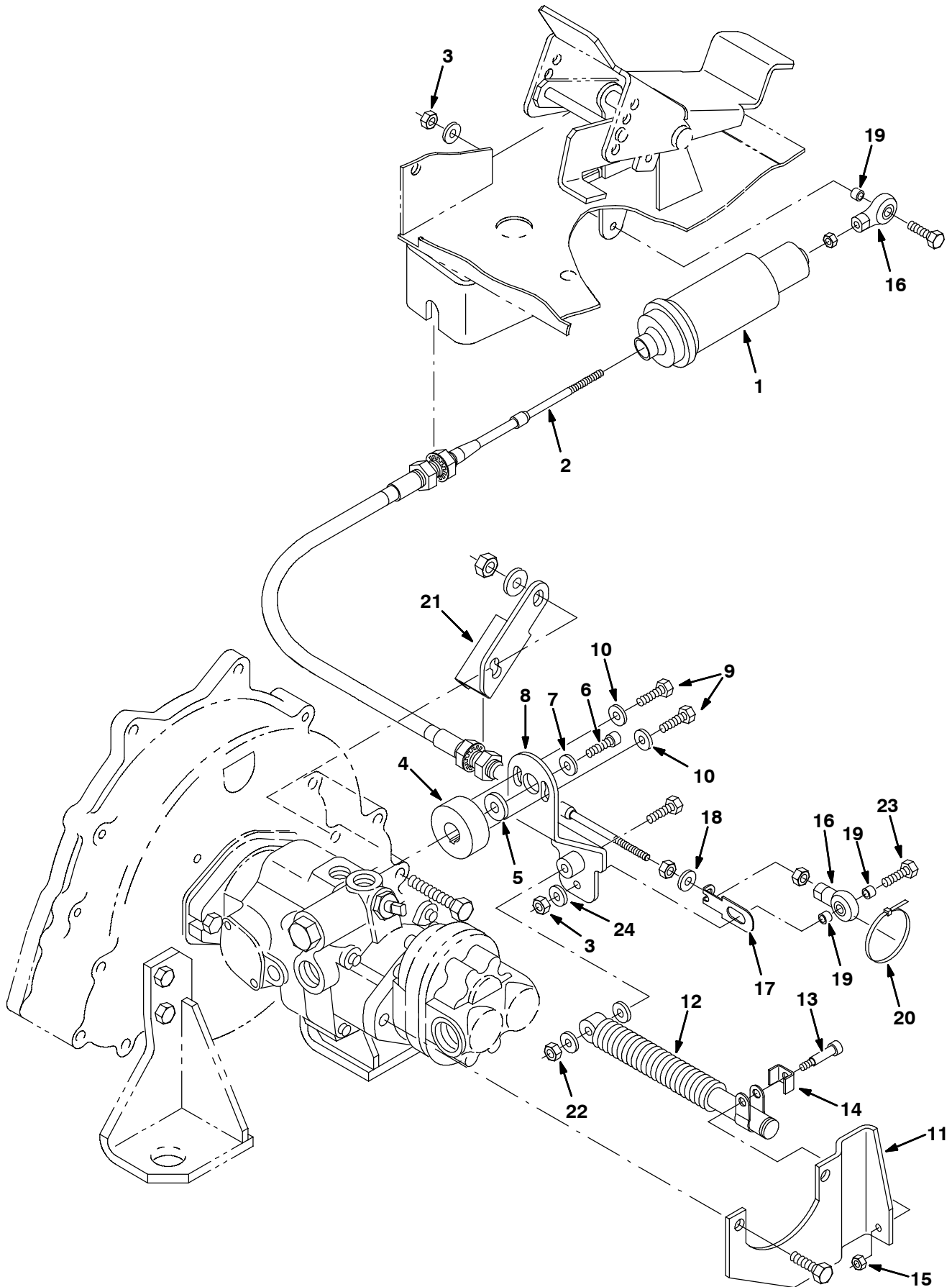


Fig. 68 - Hydraulic Pump Linkage Group (000000-019999)

Ref.	Part No.	Serial Number	Description	Qty.
1	63292	(000000-019999)	Spring, Propel, Centering	1
2	360343	(000000-019999)	Cable, Push-Pull	1
3	32981	(000000-019999)	Nut, Hex, Lock, .25-20 NI	2
4	72728	(000000-019999)	Hub	1
5	364889	(000000-019999)	Washer	1
6	39987	(000000-019999)	Screw, Soc, .31-24 X 0.75, Al	1
7	01685	(000000-019999)	Washer, Flat, .31 Ss	1
8	365402	(000000-019999)	Lever, Wldt, Pintle	1
9	16931	(000000-019999)	Screw, Hex, M08 X 1.25 X 20, 8.8	2
10	41186	(000000-019999)	Washer, Belleville, .31	2
11	364397	(000000-019999)	Bracket, Shock Absorber	1
12	73411	(000000-019999)	Shock Absorber	1
13	16213	(000000-019999)	Bolt, Shld .31D X 1.00, .25-20	1
14	84170	(000000-019999)	Bracket, Retainer	1
15	75934	(000000-019999)	Nut, Hex, Lock, .25-20, NI	1
16	68866	(000000-019999)	Rod-End	2
17	83887	(000000-019999)	Bracket	1
18	78785	(000000-019999)	Washer	1
19	65441	(000000-019999)	Spacer	3
20	49266	(000000-019999)	Tie, Cable 1.75D Max 7.50Lg	1
21	364780	(000000-019999)	Bracket, Mtg, Cable	1
22	08709	(000000-019999)	Nut, Hex, Lock, M08-1.25,NI	1
23	25049	(000000-019999)	Screw, Hex, .25-20 X 1.75, 5	1
24	32490	(000000-019999)	Washer, Flat, .25 Std	1

STANDARD PARTS

Fig. 69 - Hydraulic Pump Linkage Group (020000-)

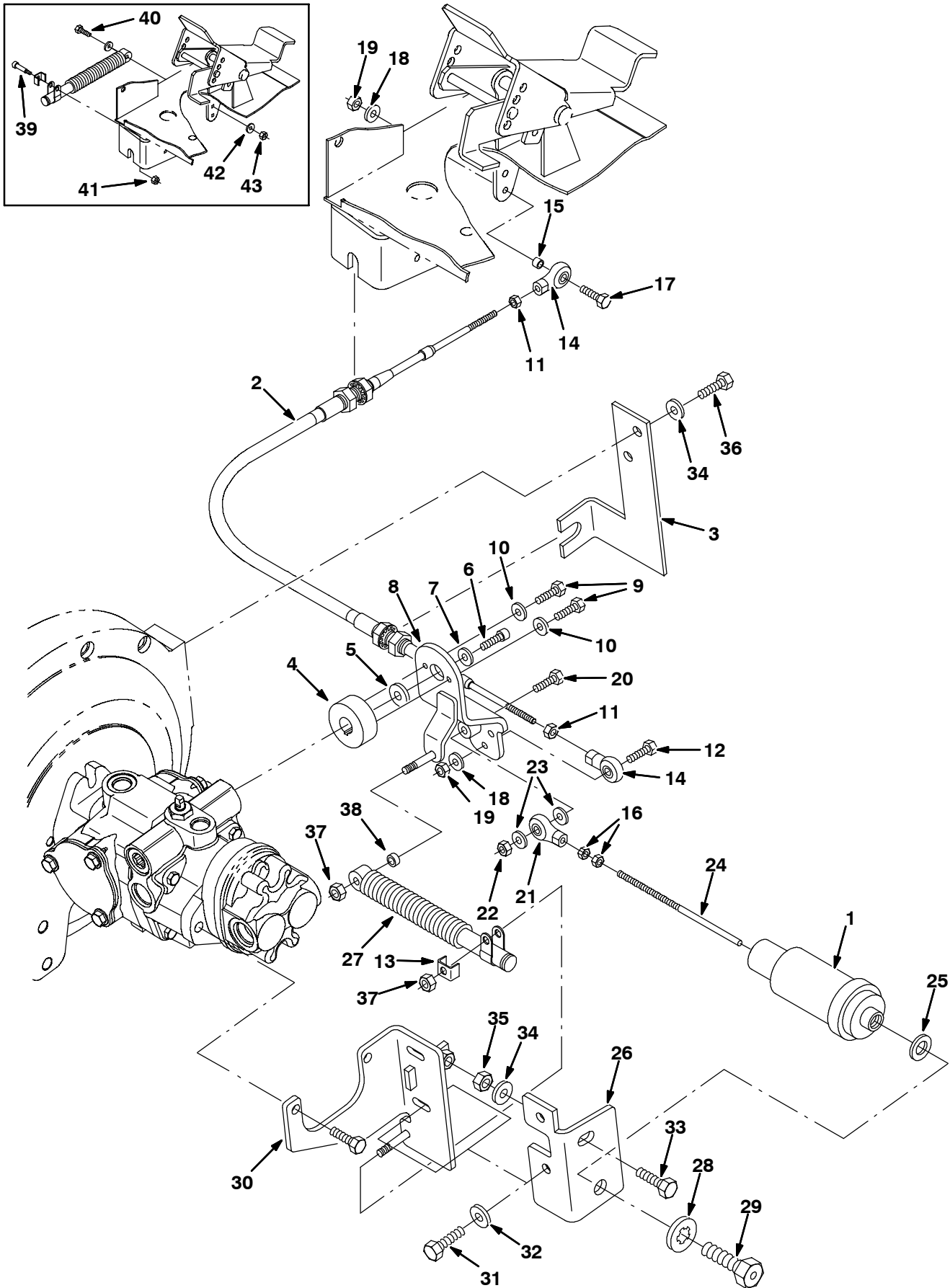


Fig. 69 - Hydraulic Pump Linkage Group (020000-)

Ref.	Part No.	Serial Number	Description	Qty.
1	63292	(020000-) Spring	1
2	360343	(020000-) Cable, Push/Pull, 47.0l, 3.0 .25-28	1
3	1011546	(020000-) Bracket, Mtg, Cable	1
4	72728	(020000-) Hub, Mtg, Arm, Cntrl, Pintle	1
5	364889	(020000-) Washer, Flat, 0.33b 0.75d .18, Stl, Pl	1
6	39987	(020000-) Screw, Soc, .31-24 X 0.75, Al	1
7	01685	(020000-) Washer, Flat, 0.31 Ss	1
8	1016016	(020000-) Lever Wldt, Cntrl, Pintle	1
9	16931	(020000-) Screw, Hex, M8 X 1.25 X 20, 8.8	2
10	41186	(020000-) Washer, Belleville, .31	2
11	01714	(020000-) Nut, Hex, Std, .25-28	3
12	25046	(020000-) Screw, Hex, .25-20X1.00, 5	3
13	84170	(020000-) Bracket, Retainer, Safety	1
14	68866	(020000-) Rod-End, .25-28rh Fem 0.25b	2
15	65441	(020000-) Tube, 00.38d 00.26b 00.3l Stl Plt	1
16	32899	(020000-) Nut, Hex, Jam, .25-28	2
17	25049	(020000-) Screw, Hex, .25-20 X 1.75, 5	1
18	32490	(020000-) Washer, Flat, 0.25 Std	2
19	32981	(020000-) Nut, Hex, Lock, .25-20, NI	3
20	06948	(020000-) Screw, Hex, M6 X 1.0 X 45, 8.8	1
21	68866	(020000-) Rod-End, .25-28rh Fem 0.25b	1
22	08708	(020000-) Nut, Hex, Lock, M6 X 1.0, NI	1
23	32483	(020000-) Washer, Flat, 0.25 Sae	2
24	1016949	(020000-) Rod, Thr, 1 End, .25-28 7.5L	1
25	32494	(020000-) Washer, Flat, 0.62 Std	1
26	365422	(020000-) Bracket, Mtg, Centering Spring, [8210]	1
27	73411	(020000-) Shock Absorber, 2.3 Strk	1
28	32990	(020000-) Washer, Lock, Int, .62	1
29	1015673	(020000-) Bolt, .62-18X2.0L, Mtg, Spring	1
30	365436	(020000-) Bracket, Mtg, Centering Spring, [8210]	1
31	39277	(020000-) Screw, Hex, M8 X 1.25 X 25, 8.8	2
32	32485	(020000-) Washer, Flat, 0.38 Sae	2
33	33401	(020000-) Screw, Hex, M8 X 1.25 X 50, Ss, Fl	1
34	32491	(020000-) Washer, Flat, 0.31 Std	5
35	08709	(020000-) Nut, Hex, Lock, M8 X 1.25, NI	1
36	21197	(020000-) Screw, Hex, .38-16 X 1.00, 5	2
37	32983	(020063-) Nut, Hex, Lock, .31-18, NI	2
38	360801	(020063-) Sleeve, .318b .496d .250l Ss	1
39	16213	(020000-020062)) Bolt, Shld, .31d X 1.00, .25-20	1
40	25049	(020000-020062)) Screw, Hex, .25-20 X 1.75, 5	1
41	75934	(020000-020062)) Nut, Hex, Lock, .25-20, NI	1
42	32491	(020000-020062)) Washer, Flat, 0.31 Std	1
43	32981	(020000-020062)) Nut, Hex, Lock, .25-20, NI	1

Fig. 70 - Hydraulic Pumps And Filter Group

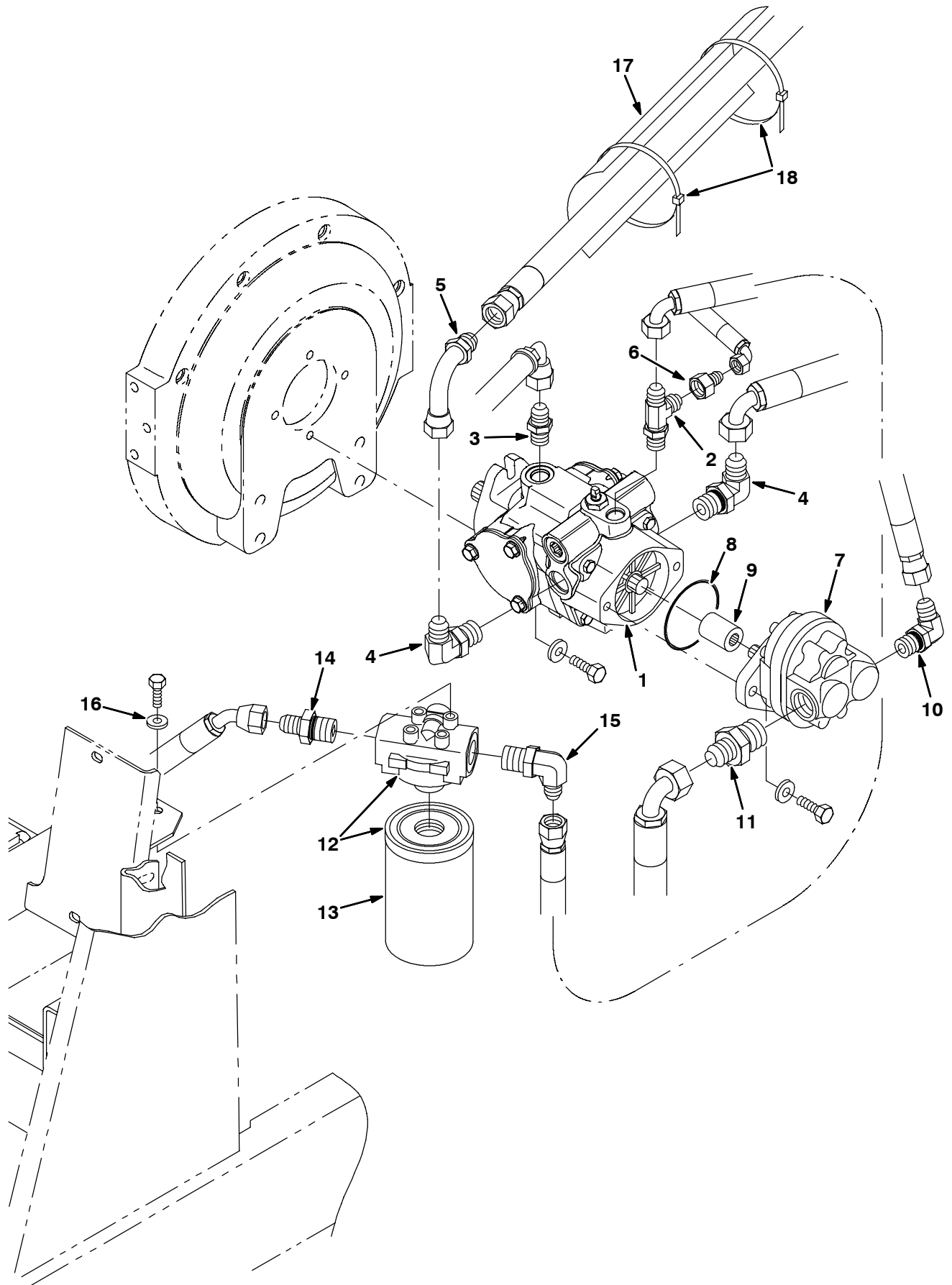


Fig. 70 - Hydraulic Pumps And Filter Group

Ref.	Part No.	Serial Number	Description	Qty.	
1	364103	(000000-019999)	Pump, Hyd Piston (See Breakdowns)	1	
1	373455	(020000-)	Pump, Hyd Piston (See Breakdowns)	1	
2	40755	(000000-)	Fitting, Hyd, Tee	1	
3	44869	(000000-)	Fitting, Hyd, Str	1	
4	53076	(000000-)	Fitting, Hyd, Elbow	2	
5	365073	(000000-)	Ftg-Hyd E90 Spcl Jm10/Jf10	1	
6	57979	(000000-)	Fitting, Hyd, Str	1	
7	364102	(000000-)	Pump, Hyd Gear (See Breakdowns)	1	
8	65145-1	(000000-)	O-Ring, Gland	1	
9	71721	(000000-)	Coupling	1	
10	56821	(000000-)	Fitting, Hyd, Elbow	1	
11	34357	(000000-)	Fitting, Hyd, Str	1	
▽	12	10664	(000000-)	Filter, Oil, Hyd	1
▲	13	65221	(000000-)	Element, Filter	1
	14	42227	(000000-)	Fitting, Hyd, Str	1
15	47655	(000000-)	Fitting, Hyd, Elbow	1	
16	41186	(000000-)	Washer, Belleville, .31	2	
17	762180	(020000-)	Sheet, Rbr, 8.00L Guard, Hose	1	
18	763116	(020000-)	Tie, Cable, Nyl, 15.3L. W4.5 MaxD	2	

Fig. 71 - Hydraulic Belt Drive Pump Group (000000-019999)

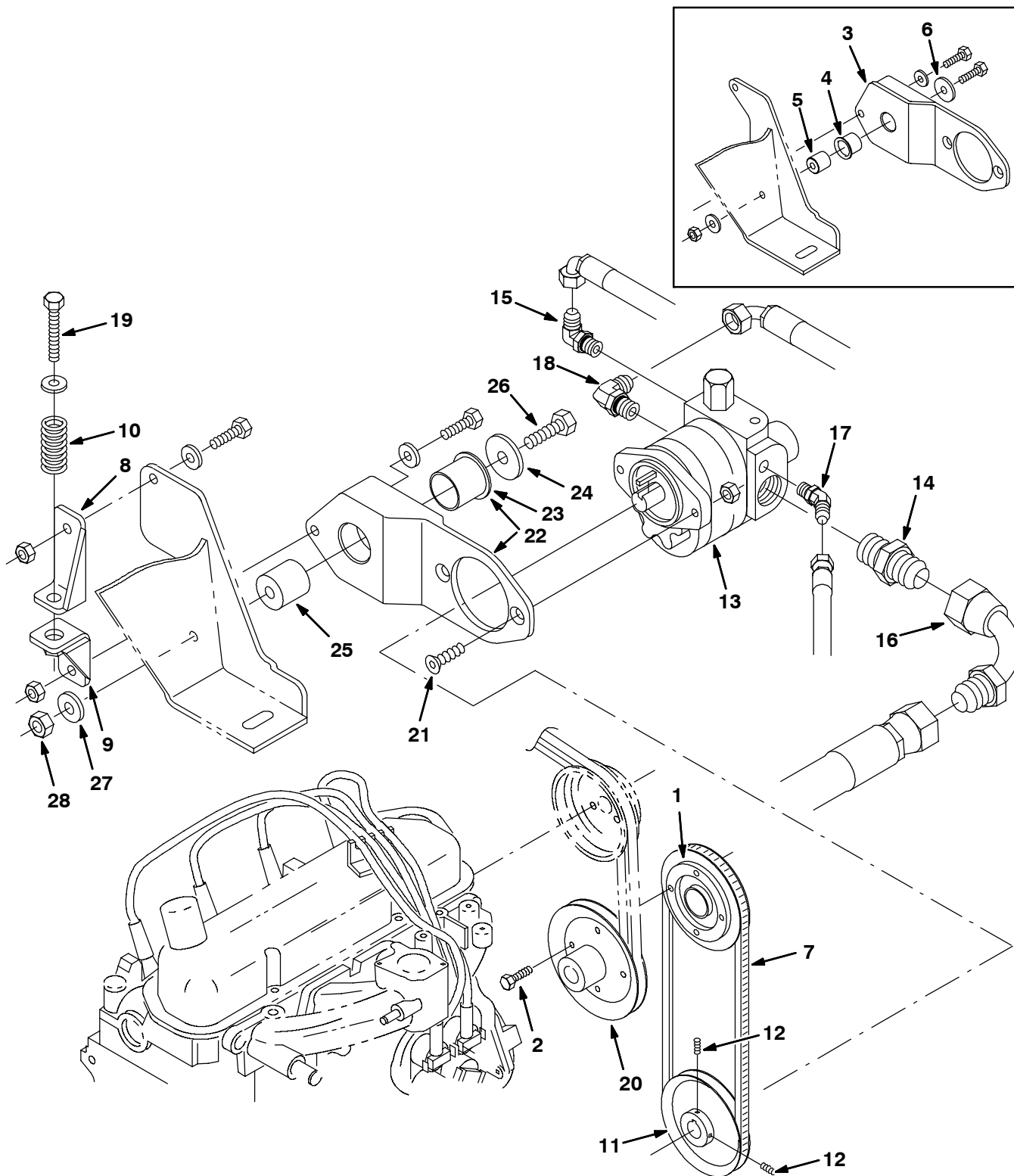


Fig. 71 - Hydraulic Belt Drive Pump Group (000000-019999)

Ref.	Part No.	Serial Number	Description	Qty.	
1	364028	(000000-019999)	Sheave, Engine	1	
2	34323	(000000-019999)	Screw, Hex, .25-20 X 0.75, NI	4	
3	365017	(000000-006203)	Plate, Pivot (Repl by 393311)	1	
4	54618AM	(000000-006203)	Bushing, Flng, 1.00b 1.13d 1.00l	1	
5	364958	(000000-006203)	Spacer	1	
6	36996	(000000-006203)	Washer	1	
7	364047	(000000-019999)	Belt, Pump	1	
8	393305	(000000-019999)	Bracket, Pivot, Upper	1	
9	393303	(000000-019999)	Bracket, Pivot, Lower	1	
10	16816	(000000-019999)	Spring, Compression	1	
11	370185	(000000-006132)	Sheave Kit, Pump	1	
11	365363	(006133-009999)	Sheave, Pump	1	
12	39323	(000000-006132)	Screw, Set, #10-32 X 0.38,	2	
12	09162	(006133-009999)	Screw, Set, M6x1.0 8	2	
13	364101	(000000-019999)	Pump, Hyd Gear (See Breakdowns)	1	
14	52929	(000000-019999)	Fitting, Hyd, Str	1	
15	56820	(000000-019999)	Fitting, Hyd, Elbow	1	
16	365022	(000000-019999)	Ftg-Hyd E90 Spcl Bsa Jm16/Jf16	1	
17	34359	(000000-019999)	Fitting, Hyd, Elbow	1	
18	44868	(000000-019999)	Fitting, Hyd, Elbow	1	
19	84036	(000000-019999)	Screw, Hex, M12-1.75 X110, FI	1	
20	364030	(000000-019999)	Sheave, Engine, Rework	1	
21	06535	(000000-019999)	Screw, Flat, M10-1.5 X 35,10.9	2	
▽	22	393312	(006204-009999)	Plate Assembly, Pivot	1
▲	23	393313	(006204-009999)	Bearing, Flange	1
	24	04414	(006204-009999)	Washer	1
	25	393314	(006204-009999)	Spacer	1
	26	06974	(006204-009999)	Screw, Hex	1
	27	32486	(006204-009999)	Washer, Flat	1
	28	09741	(006204-009999)	Nut, Hex. Lock	1

Fig. 72 - Hydraulic Belt Drive Pump Group (020000-)

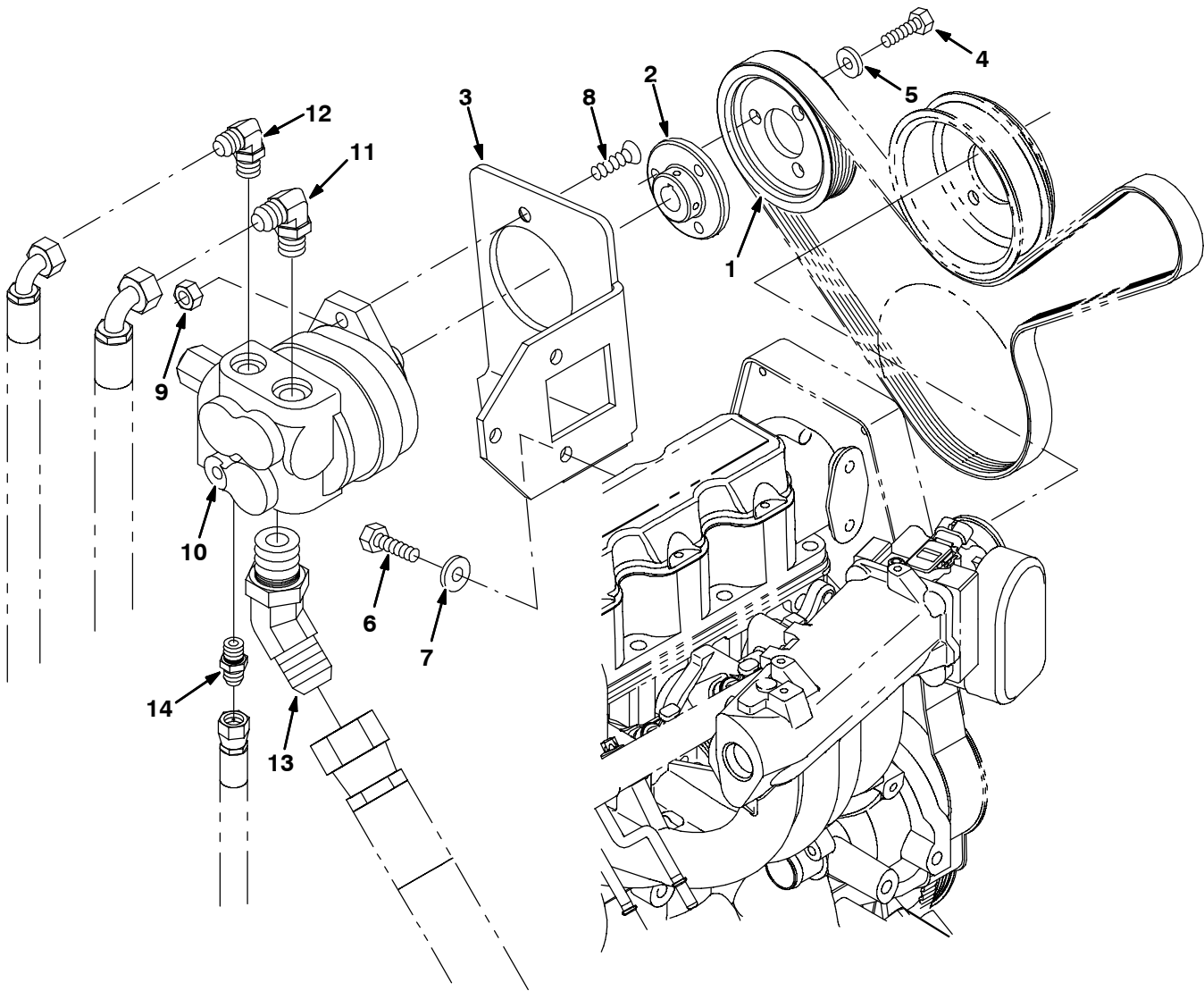


Fig. 72 - Hydraulic Belt Drive Pump Group (020000-)

Ref.	Part No.	Serial Number	Description	Qty.
1	1009583	(020000-) Sheave	1
2	1009438	(020000-) Adapter, Pulley, [Gm1.6]	1
1029270 3	1009682	(020000-) Plate, Mtg, Hyd, Pump	1
4	06961	(020000-) Screw, Hex, M10 X 1.5 X 20, 8.8	3
5	32485	(020000-) Washer, Flat, 0.38 Sae	3
6	39283	(020000-) Screw, Hex, M10 X 1.5 X 25, 8.8	3
7	32492	(020000-) Washer, Flat, 0.38 Std	3
8	06535	(020000-) Screw, Flt, M10 X 1.5 X 35, 10.9	2
9	41430	(020000-) Nut, Hex, Lock, M10 X 1.5, NI	2
10	1012092	(020000-) Pump, Hyd, Gear [Ex1] 0.66 [R] 3000 (See Breakdown)	1
11	44868	(020000-) Fitting, Hyd, E90, Jm08/Om08	1
12	56820	(020000-) Fitting, Hyd, E90, Jm06/Om06	1
13	57479	(020000-) Fitting, Hyd, E45, Jm16/Om16	1
14	55586	(020000-) Fitting, Hyd, Str, Jm04/Om04	1

Fig. 73 - Hydraulic Reservoir Group, Gasoline

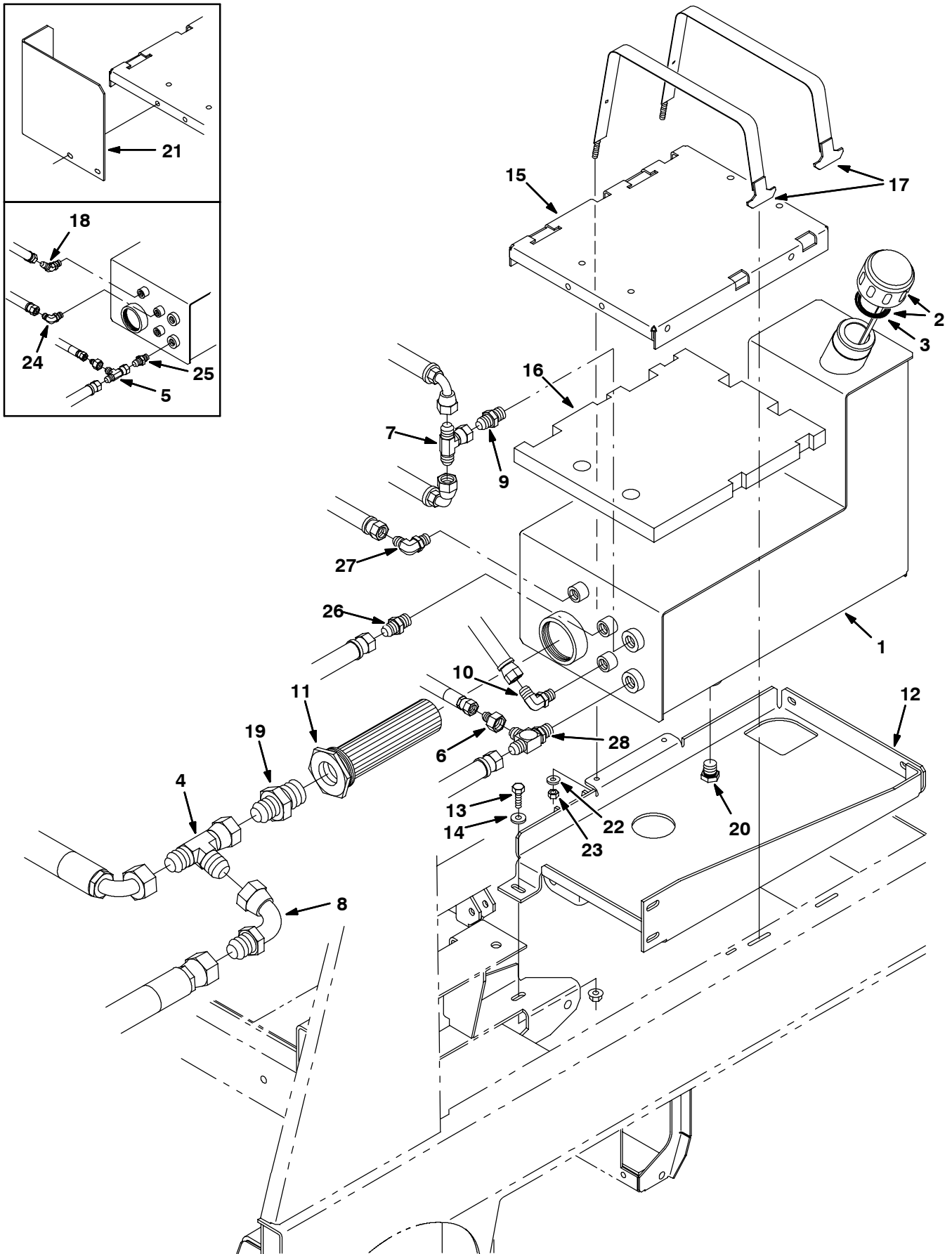


Fig. 73 - Hydraulic Reservoir Group, Gasoline

Ref.	Part No.	Serial Number	Description	Qty.
	1	364084	(000000-019999) Reservoir, Hydraulic	1
	1	1016160	(020000-) Reservoir, Hydraulic	1
▽	2	78730	(000000-) Breather, Hyd	1
▲	3	70006	(000000-) Gasket, Hyd Cap	1
	1	1016160	(020000-) Reservoir, Hyd, 8.2 Gal	1
▽	2	78730	(020000-) Breather, Hyd	1
▲	3	70006	(020000-) Gasket, Hyd Cap	1
	4	73113	(000000-) Fitting, Hyd, Tee	1
	5	45482	(000000-019999) Fitting, Hyd, Tee	1
	6	57979	(000000-) Fitting, Hyd, Str	1
	7	76315	(000000-) Fitting, Hyd, Tee	1
	8	365022	(000000-) Ftg-Hyd E90 Spcl Bsa Jm16/Jf16	1
	9	44869	(000000-) Fitting, Hyd, Str	1
	10	56820	(000000-) Fitting, Hyd, Elbow	1
	11	31613	(000000-) Strainer-Hyd Suction 25-100-03	1
	12	364560	(000000-019999) Tray Wldt, Hyd Tank	1
	12	1015515	(020000-) Tray Wldt, Tank, Hyd	1
	13	09740	(000000-) Screw, Hex, M08-1.25 X 20, Ss	5
	14	01685	(000000-) Washer, Flat, .31 Ss	5
	15	364744	(000000-019999) Channel, Base	1
	15	1016341	(020000-) Channel, Base, Gas	1
	16	364833	(000000-019999) Insulation, Thermal	1
	16	1017560	(020000-) Insulation, Acstc, 1.00	1
	17	1020029	(000000-) Strap Wldt, Mtg, Tank, .36 1.00w 28.8l	2
	18	47522	(000000-019999) Fitting, Hyd, Elbow	1
	19	16863	(000000-) Fitting, Hyd, Str	1
	20	42268	(000000-) Fitting, Hyd, Plug	1
	21	365067	(000000-006261) Angle, Corner (Repl by None)	1
	22	32490	(000000-) Washer, Flat, 0.25 Std	2
	23	32981	(000000-) Nut, Hex, Lock, .25-20, NI	2
	24	56820	(000000-019999) Fitting, Hyd, Elbow	1
	25	44869	(000000-019999) Fitting, Hyd, Str	1
	26	44869	(020000-) Fitting, Hyd, Str	1
	27	56820	(020000-) Fitting, Hyd, Elbow	1
	28	40755	(020000-) Fitting, Hyd, Tee	1

Fig. 74 - Hydraulic Reservoir Group, LPG

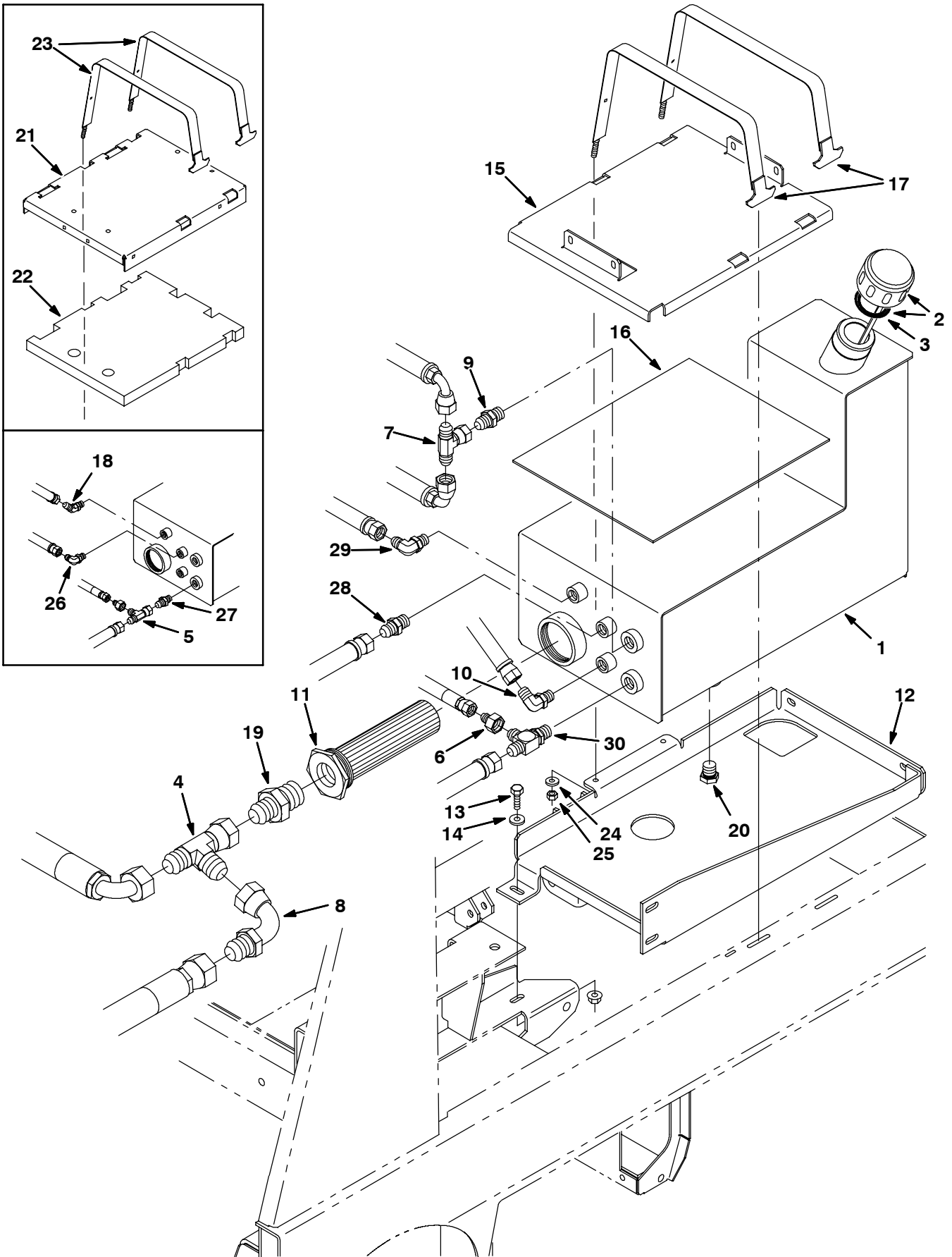


Fig. 74 - Hydraulic Reservoir Group, LPG

Ref.	Part No.	Serial Number	Description	Qty.
	1	364084	(000000-019999) Reservoir, Hydraulic	1
	1	1016160	(020000-) Reservoir, Hyd, 8.2 Gal	1
▽	2	78730	(000000-) Breather, Hyd	1
▲	3	70006	(000000-) Gasket, Hyd Cap	1
	4	73113	(000000-) Fitting, Hyd, Tee	1
	5	45482	(000000-019999) Fitting, Hyd, Tee	1
	6	57979	(000000-) Fitting, Hyd, Str	1
	7	76315	(000000-) Fitting, Hyd, Tee	1
	8	365022	(000000-) Ftg-Hyd E90 Spcl Bsa Jm16/Jf16	1
	9	44869	(000000-) Fitting, Hyd, Str	2
	10	56820	(000000-) Fitting, Hyd, Elbow	2
	11	31613	(000000-) Strainer-Hyd Suction 25-100-03	1
	12	364560	(000000-019999) Tray Wldt, Hyd Tank	1
	12	1015515	(020000-) Tray Wldt, Tank, Hyd	1
	13	09740	(000000-) Screw, Hex, M08-1.25 X 20, Ss	5
	14	01685	(000000-) Washer, Flat, .31 Ss	5
	15	365220	(006076-009999) Channel, Base, Lpg	1
	15	1016315	(020000-) Channel, Base, Lpg	1
	16	365223	(006076-009999) Insulation	1
	16	1017591	(020000-) Insulation	1
	17	365225	(000000-) Strap	2
	18	47522	(000000-019999) Fitting, Hyd, Elbow	1
	19	16863	(000000-) Fitting, Hyd, Str	1
	20	42268	(000000-) Fitting, Hyd, Plug	1
	21	364744	(000000-006075) Channel, Base	1
	22	364833	(000000-006075) Insulation, Thermal	1
	23	364552	(000000-006075) Strap	2
	24	32490	(000000-) Washer, Flat, 0.25 Std	2
	25	32981	(000000-) Nut, Hex, Lock, .25-20, NI	2
	26	56820	(000000-019999) Fitting, Hyd, Elbow	1
	27	44869	(000000-019999) Fitting, Hyd, Str	1
	28	44869	(020000-) Fitting, Hyd, Str	1
	29	56820	(020000-) Fitting, Hyd, Elbow	1
	30	40755	(020000-) Fitting, Hyd, Tee	1

Fig. 75 - Hydraulic Control Valve Group

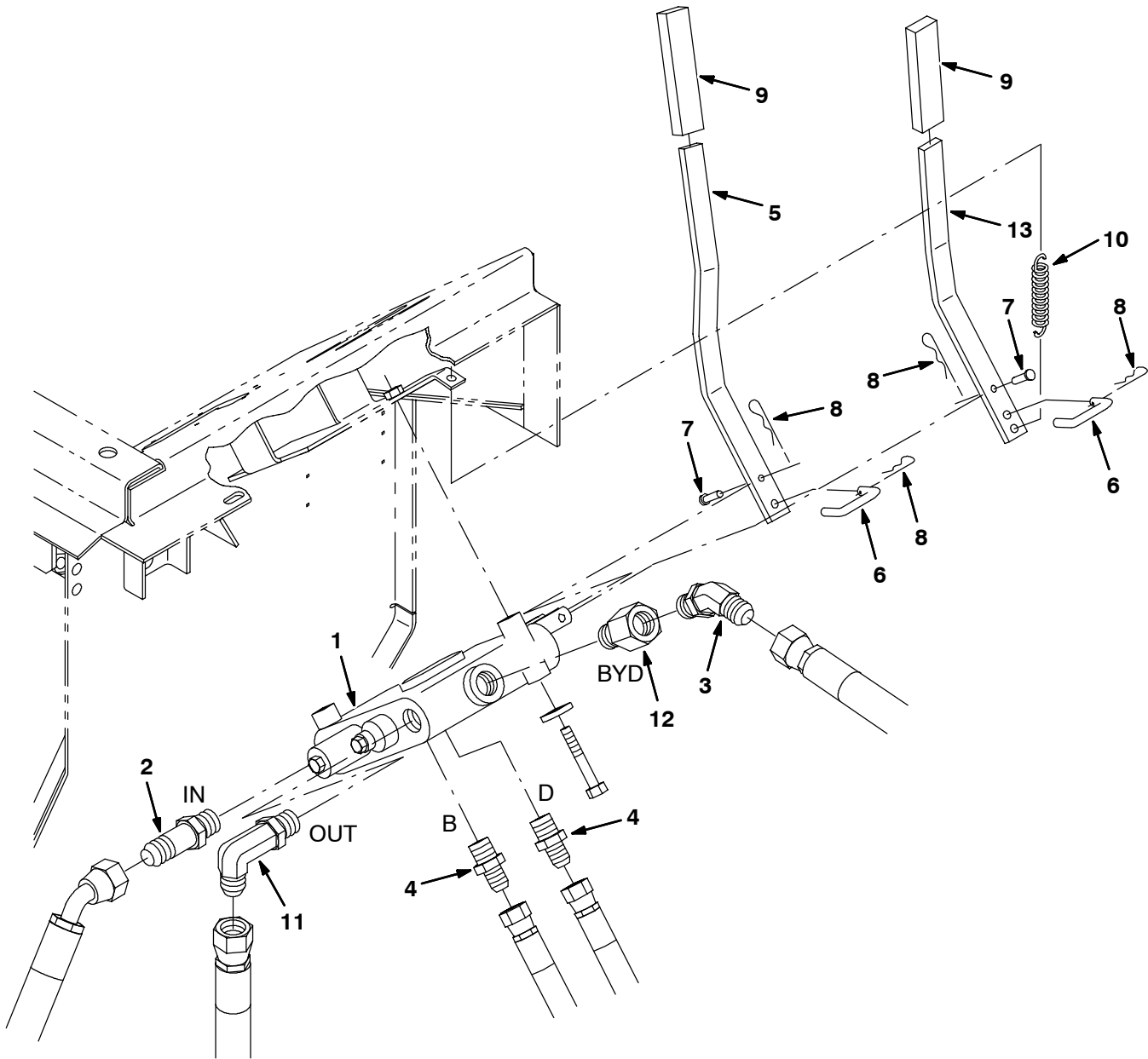


Fig. 75 - Hydraulic Control Valve Group

Ref.	Part No.	Serial Number	Description	Qty.
1	364118	(000000-) Valve, Hydraulic Control, Man (See Breakdowns)	1
2	31605	(000000-) Fitting, Hyd, Str	1
3	42226	(000000-) Fitting, Hyd, Elbow	1
4	55685	(000000-) Fitting, Hyd, Str	2
5	364927	(000000-) Handle, Control, Valve	1
6	21903	(000000-) Link, Valve Handle	2
7	374550	(000000-) Pin, Clevis, 5Mm Dia X 20Mm	2
8	08085	(000000-) Pin, Hair Cotter	4
9	360467	(000000-) Grip, Vinyl	2
10	59870	(000000-) Spring, Tension	1
11	69173	(000000-) Fitting, Hyd, Elbow	1
12	79823	(000000-) Plug Assy, Byd	1
13	364961	(000000-) Handle, Control, Valve	1

Fig. 76 - Hydraulic Solenoid Valve Group

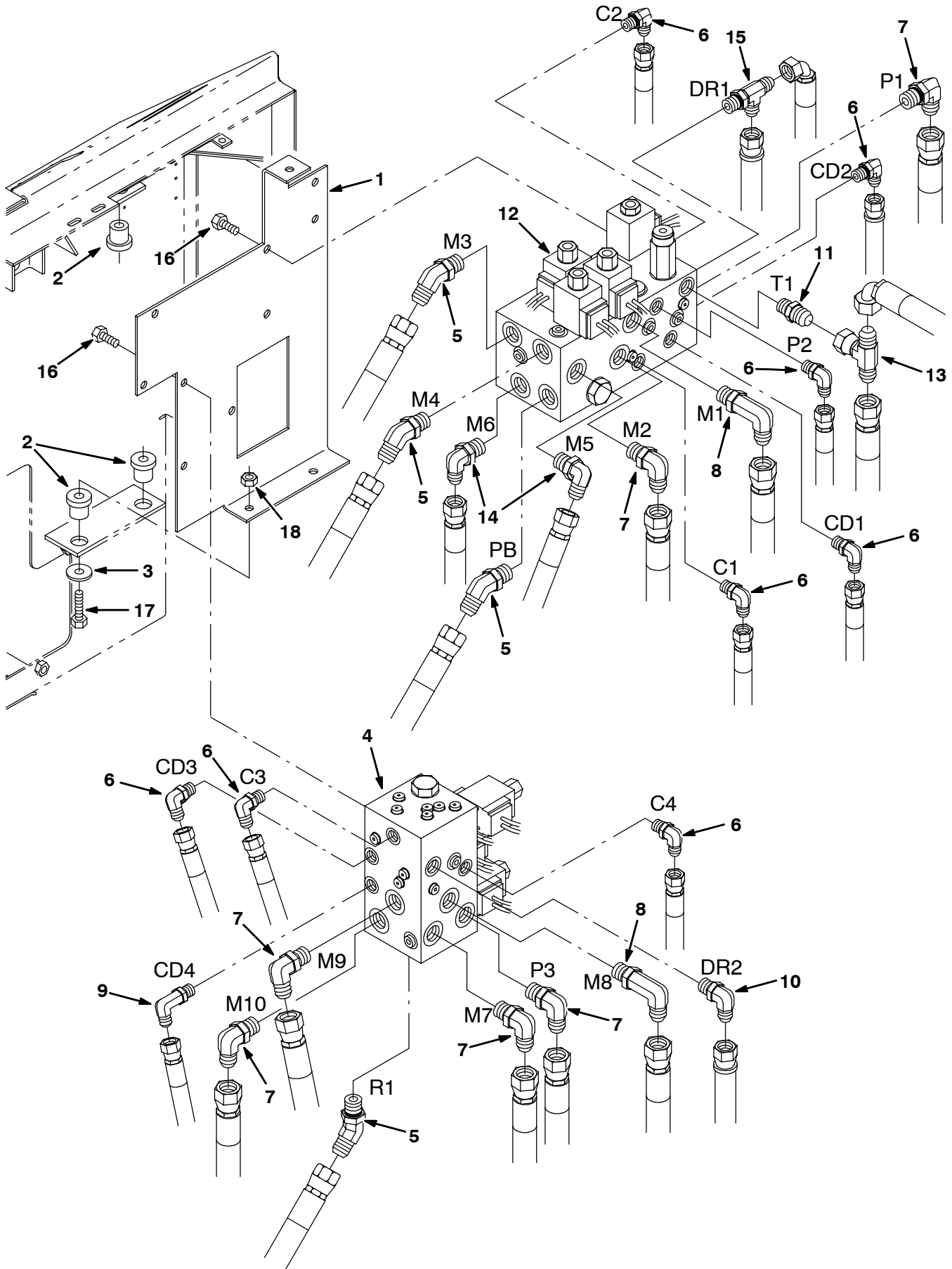
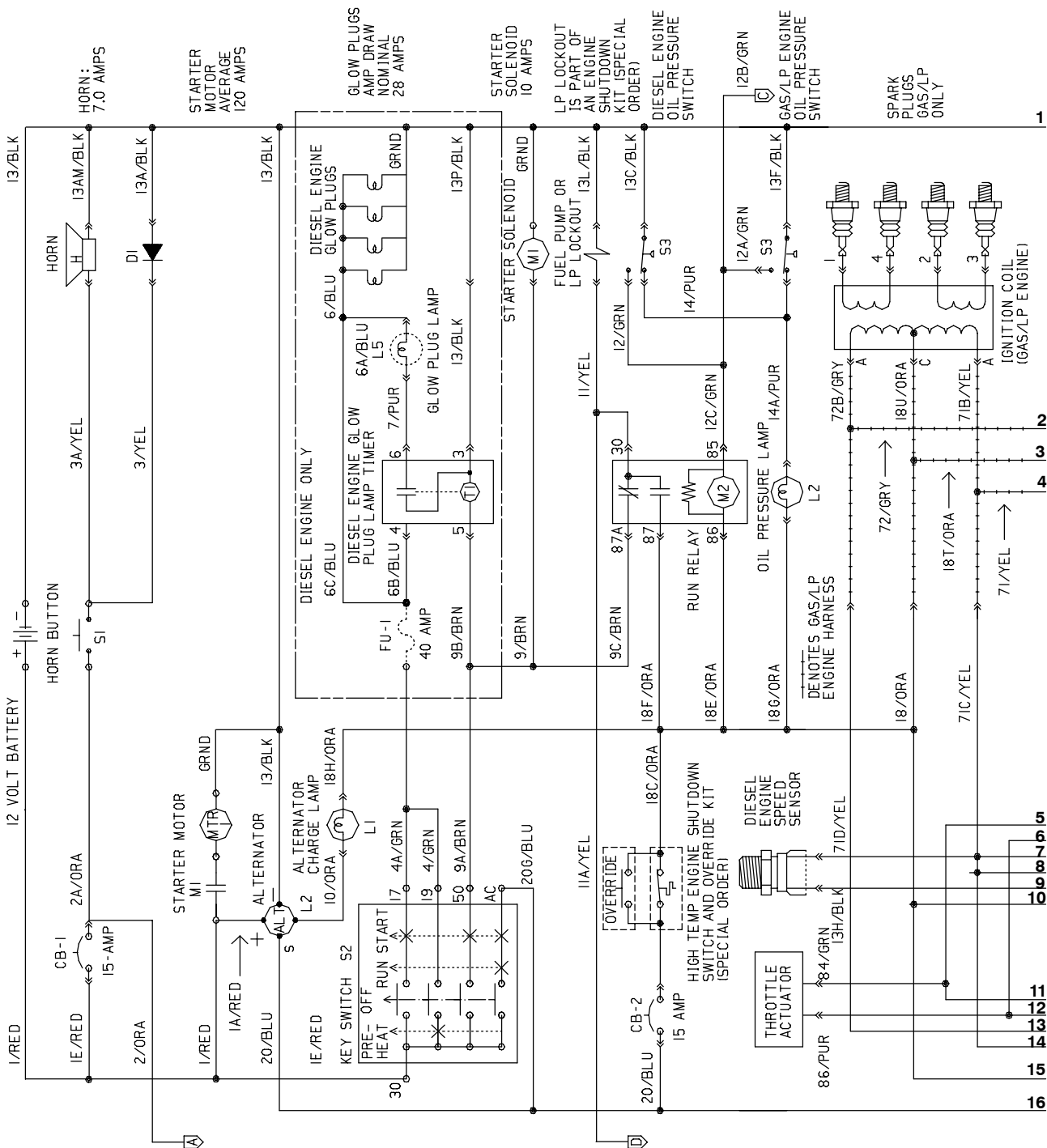


Fig. 76 - Hydraulic Solenoid Valve Group

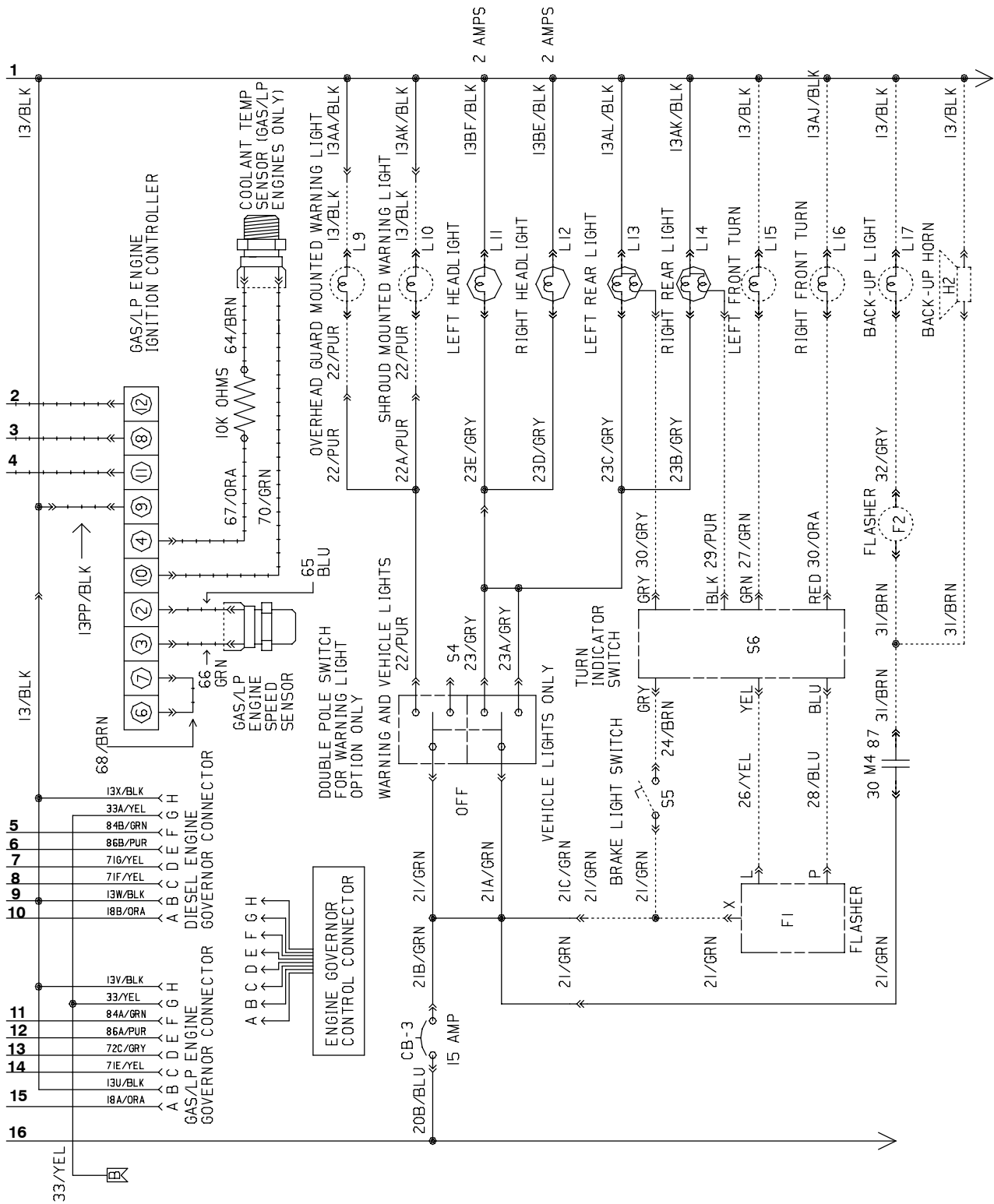
Ref.	Part No.	Serial Number	Description	Qty.
1	364315	(000000-) Plate, Mtg, Valve	1
2	54274	(000000-) Isolator, Vibration	3
3	13248	(000000-) Washer	3
4	364114	(000000-) Valve, Hyd Control Sol (See Breakdowns)	1
5	42226	(000000-) Fitting, Hyd, Elbow	4
6	77097	(000000-) Fitting, Hyd, Elbow	8
7	44868	(000000-) Fitting, Hyd, Elbow	6
8	69173	(000000-) Fitting, Hyd, Elbow	2
9	82825	(000000-) Fitting, Hyd, Elbow	1
10	56820	(000000-) Fitting, Hyd, Elbow	1
11	56835	(000000-) Fitting, Hyd, Str	1
12	364115	(000000-) Valve, Hyd Control Sol (See Breakdowns)	1
13	76315	(000000-) Fitting, Hyd, Tee	1
14	47512	(000000-) Fitting, Hyd, Elbow	2
15	76316	(000000-) Fitting, Hyd, Tee	1
16	16735	(000000-) Screw, Hex, M8 X 1.25 X 16, 8.8	7
17	06955	(000000-) Screw, Hex, M8 X 1.25 X 35, 8.8	3
18	08709	(000000-) Nut, Hex, Lock, M8 X 1.25, NI	3

Fig. 77 - Electrical Schematic (000000-019999)



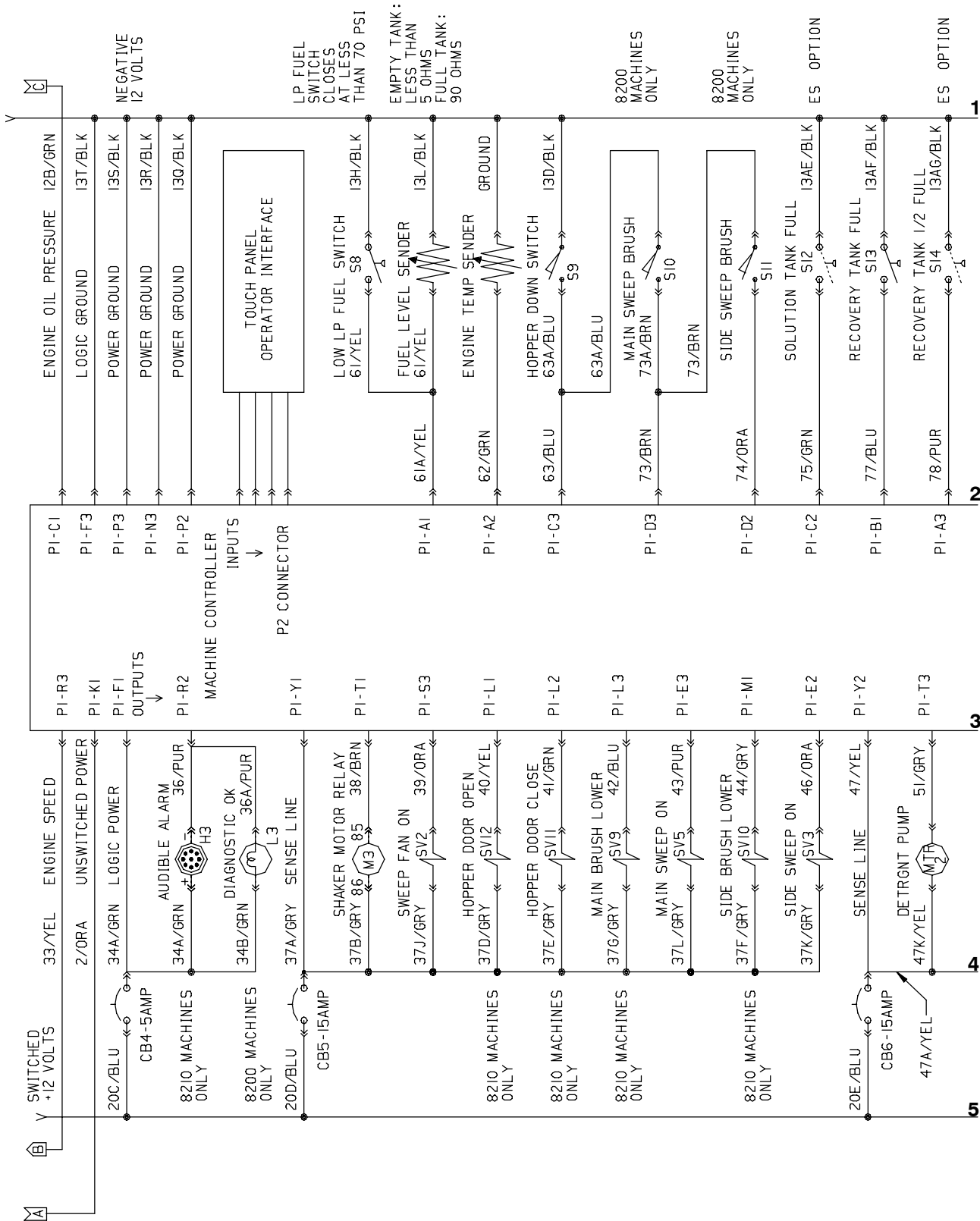
351556 - ALL

Fig. 77 - Electrical Schematic (000000-019999)



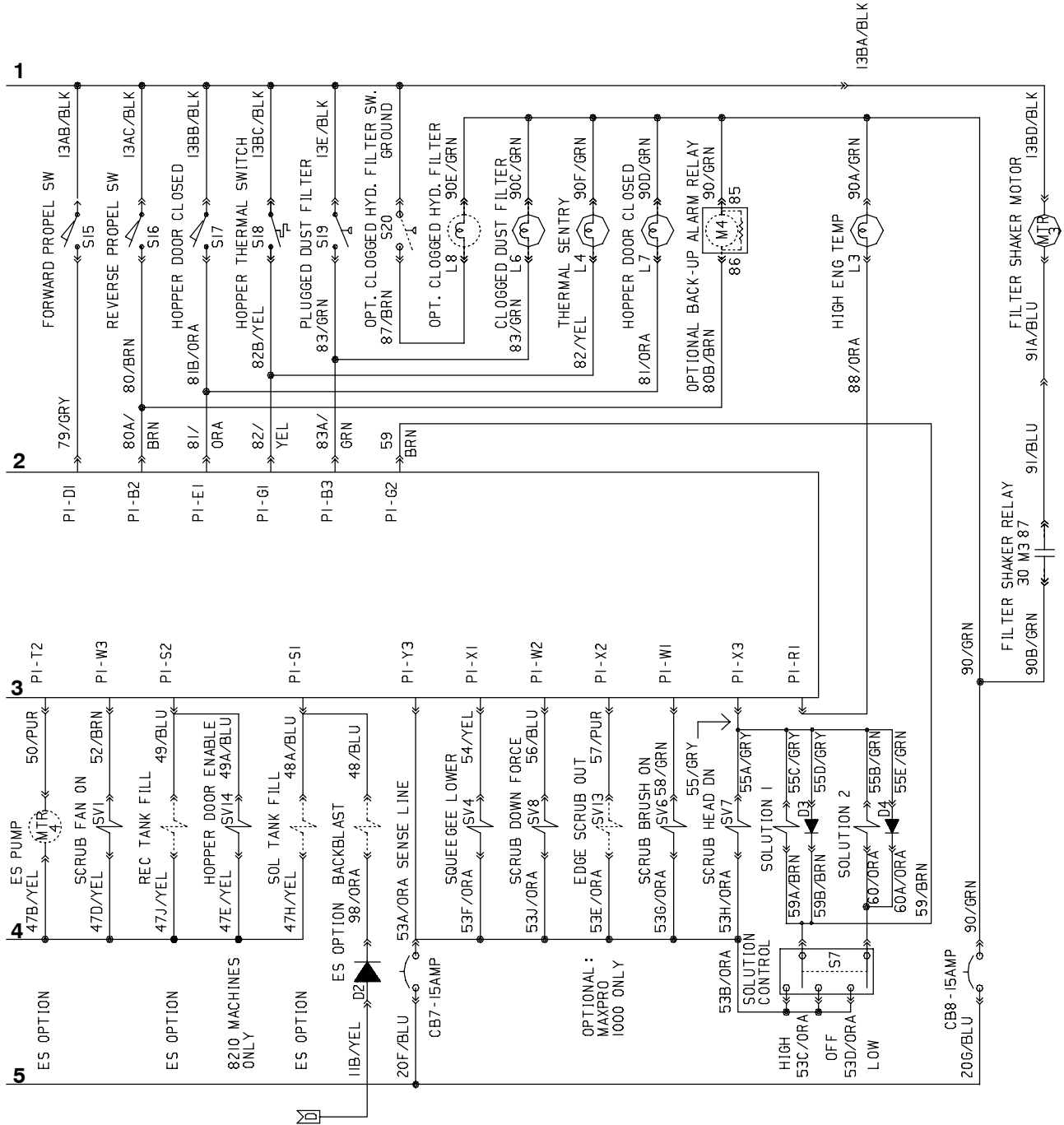
351556 - ALL

Fig. 77 - Electrical Schematic (000000-019999)



351556 - ALL

Fig. 77 - Electrical Schematic (000000-019999)



351556 - ALL

Fig. 78 - Electrical Schematic (020000-)

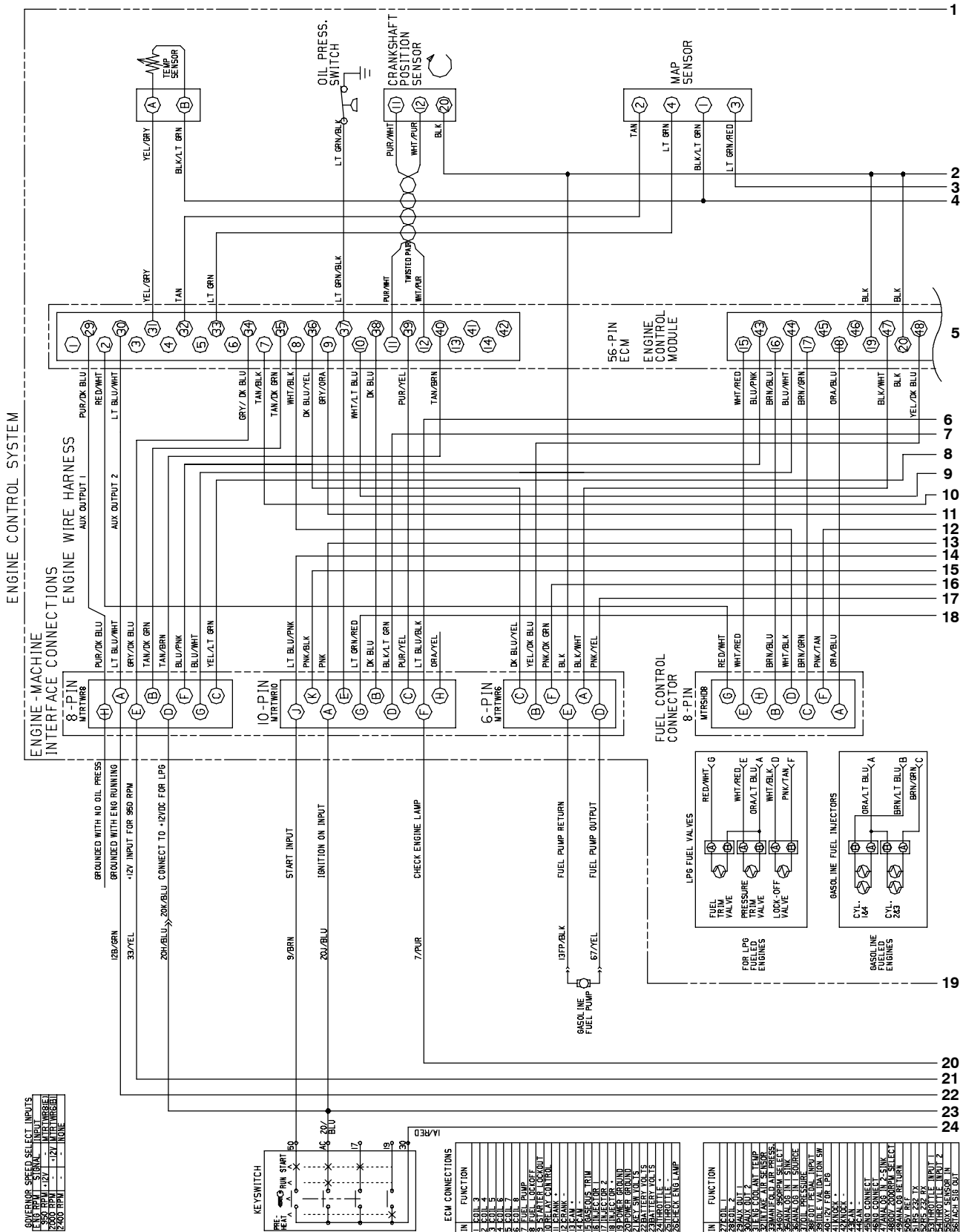


Fig. 78 - Electrical Schematic (020000-)

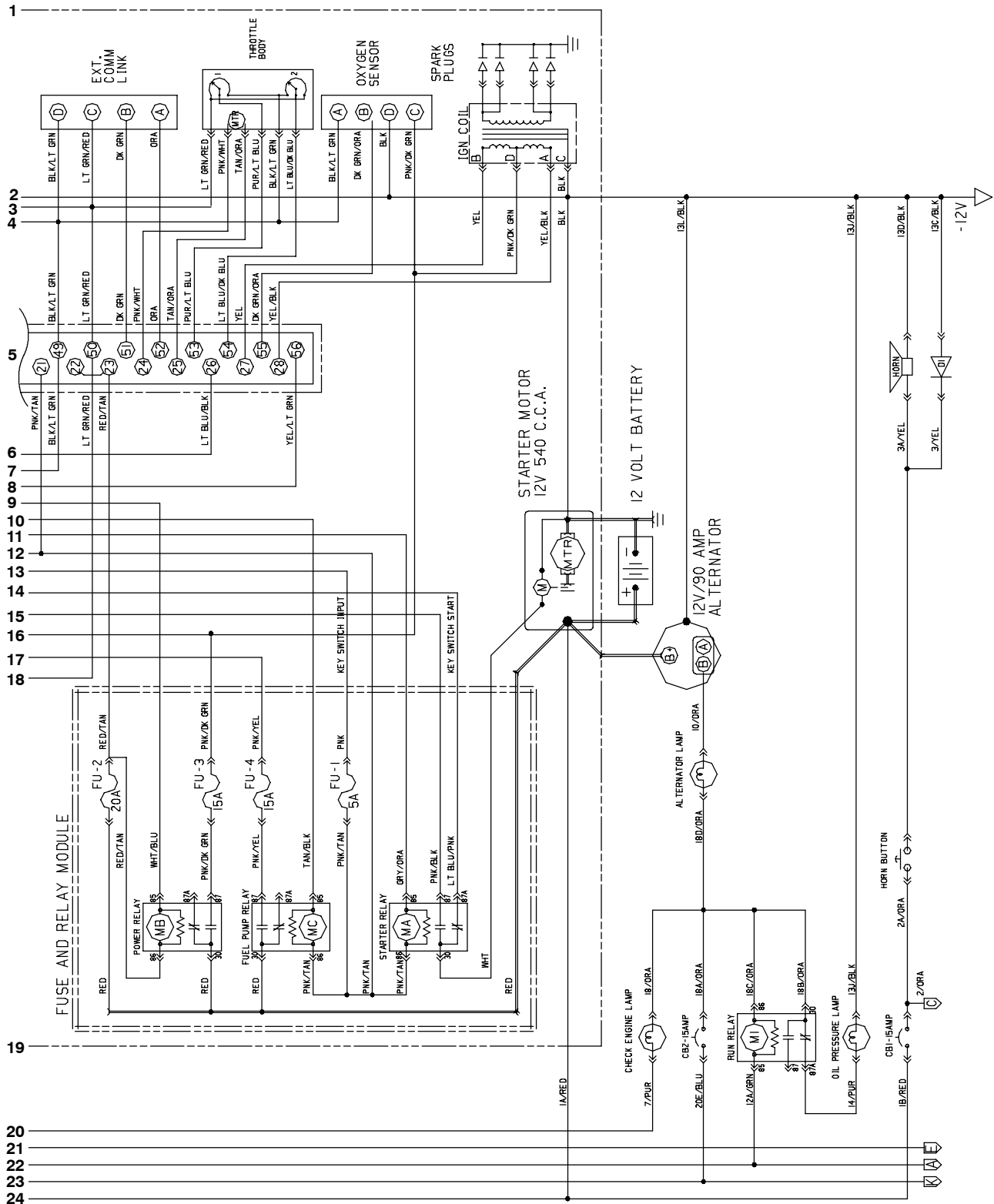
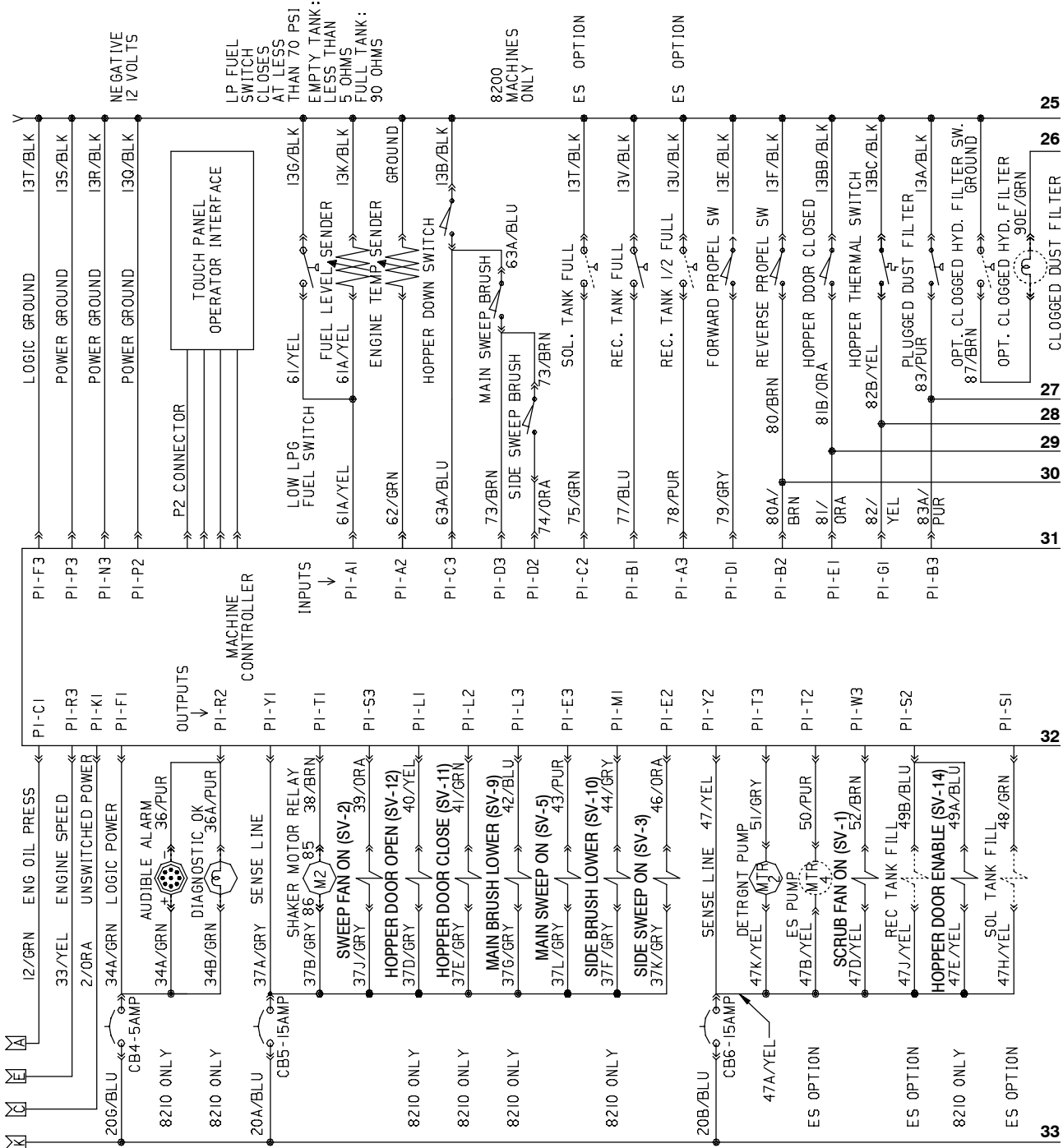


Fig. 78 - Electrical Schematic (020000-)



354250 - 398532 - ALL

Fig. 78 - Electrical Schematic (020000-)

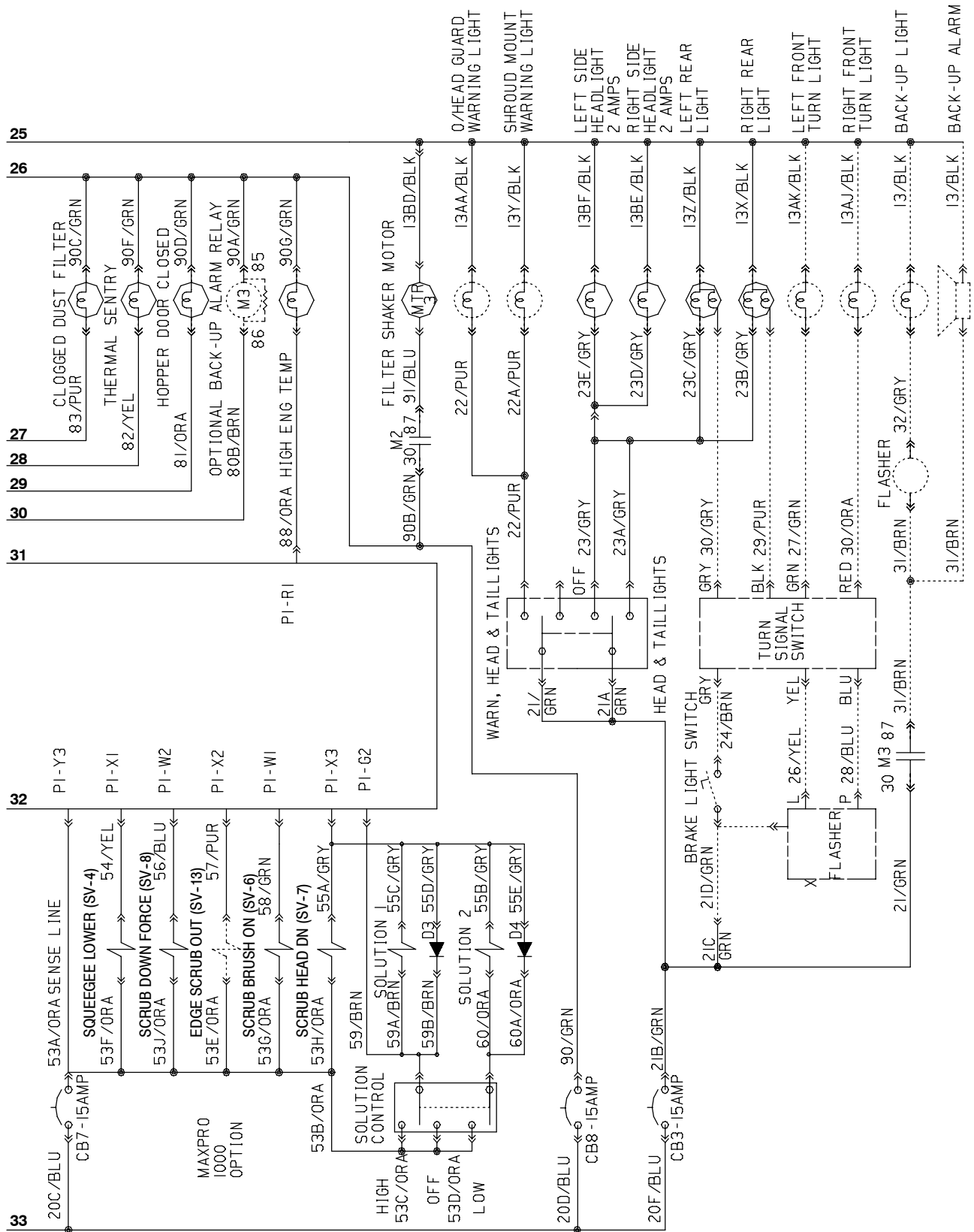
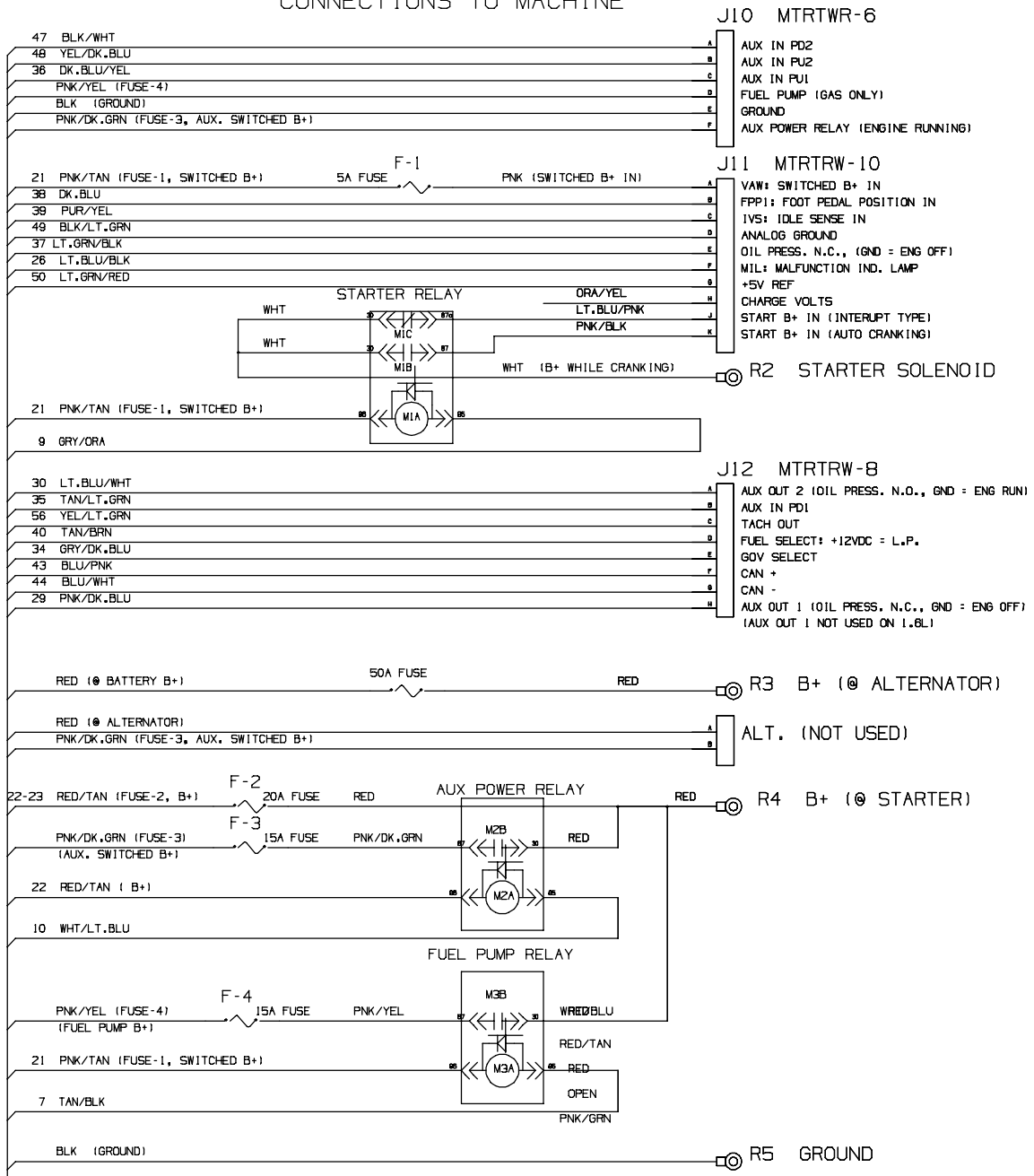


Fig. 78 - Electrical Schematic (020000-)
CONNECTIONS TO MACHINE



NOTES:

- 1) VENDOR: E-CONTROLS #E1331100A
- 2) ALL WIRE TO BE: SAE J1128 TXL
- 3) 1.6L GAS ENGINES INC. AUX. INJECTOR HARNESS:
E-CONTROLS #E1408000 / TENNANT #1011019
- 4) 1.6L L.P. ENGINES INC. AUX. INJECTOR HARNESS:
E-CONTROLS #E1408200 / TENNANT #1011020

Fig. 79 - Electrical Wire Harness Group

Hopper Wire Harness

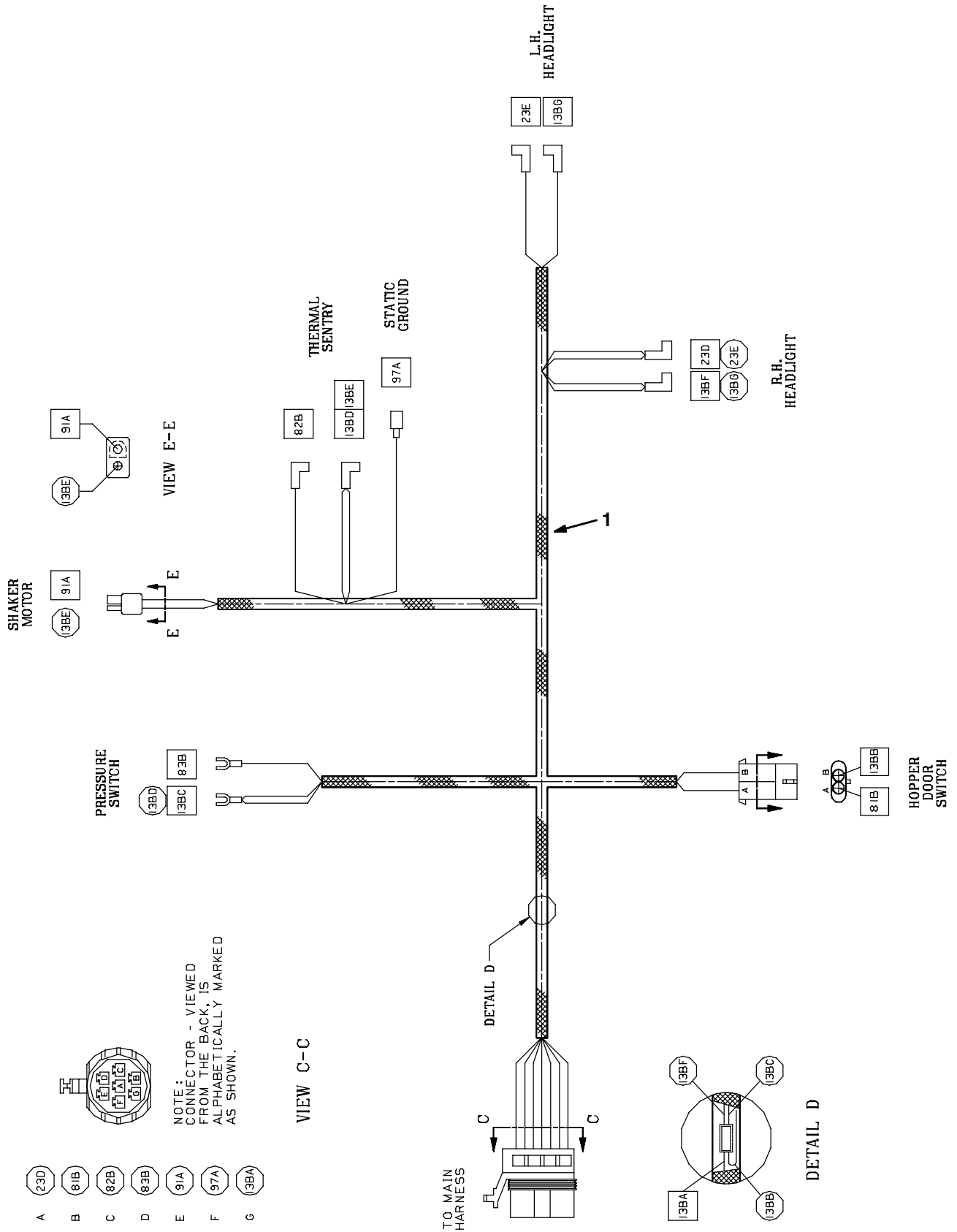


Fig. 79 - Electrical Wire Harness Group
Main Wire Harness (00000-019999)

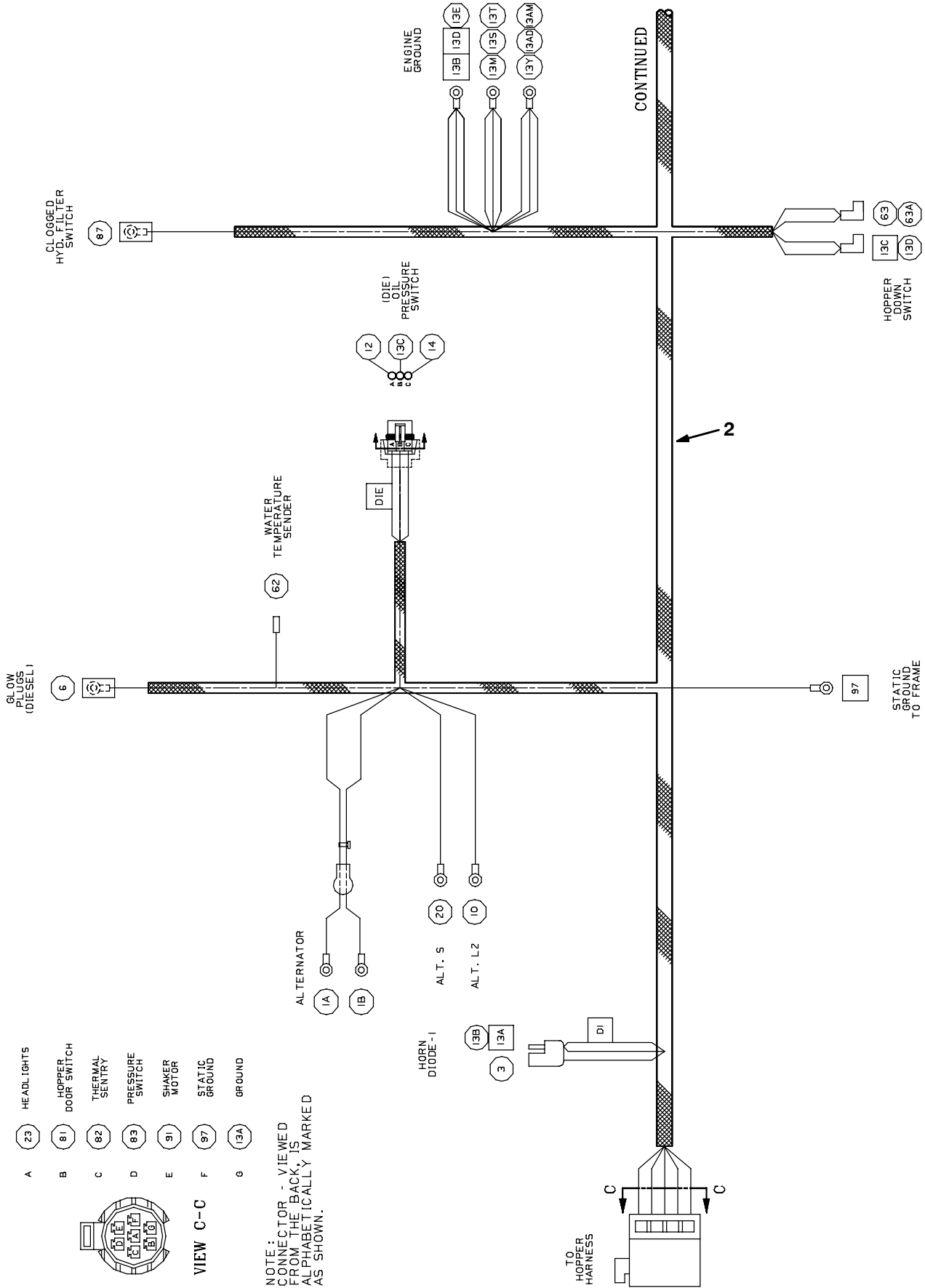


Fig. 79 - Electrical Wire Harness Group
Main Wire Harness (000000-019999)

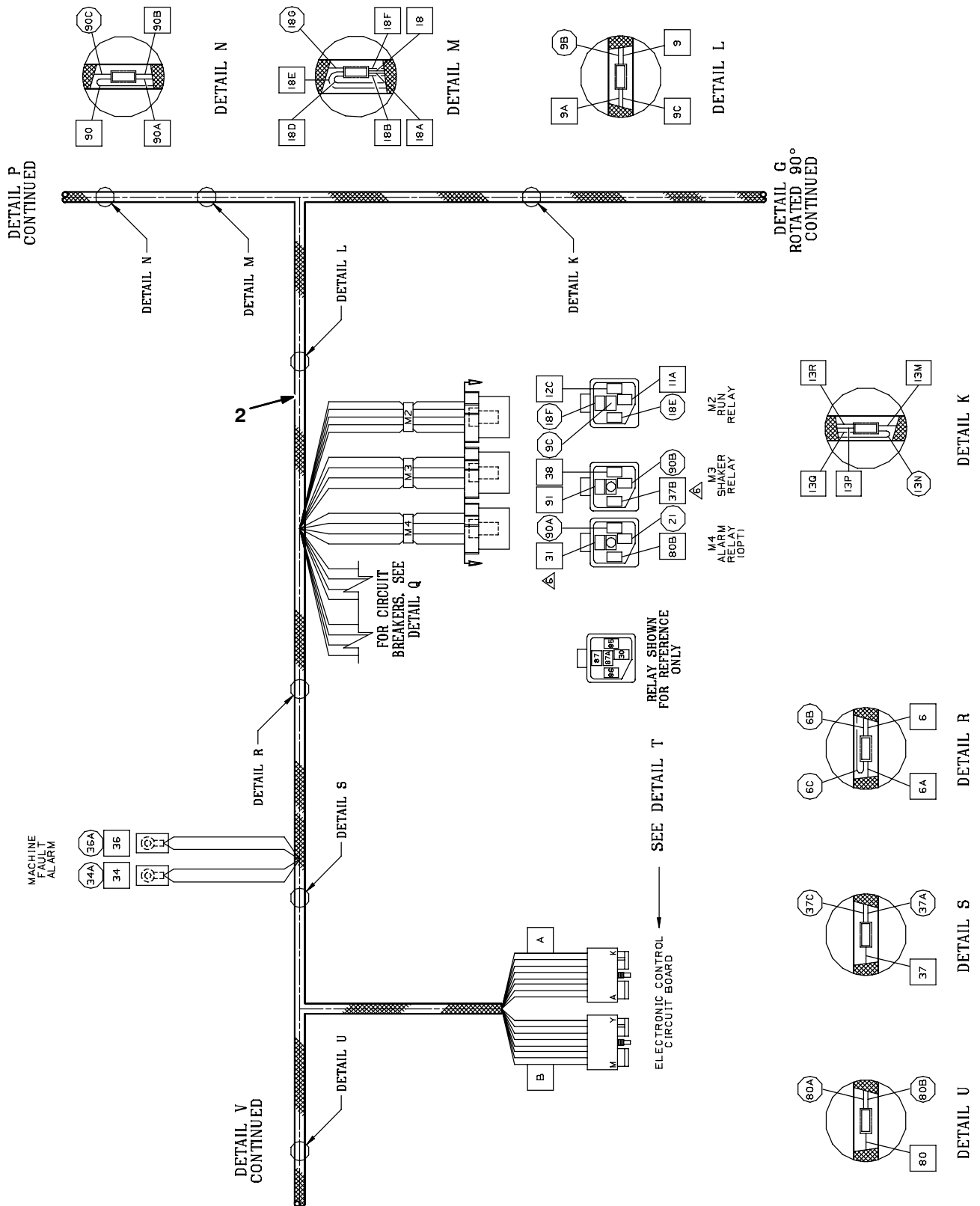


Fig. 79 - Electrical Wire Harness Group
Main Wire Harness (000000-019999)

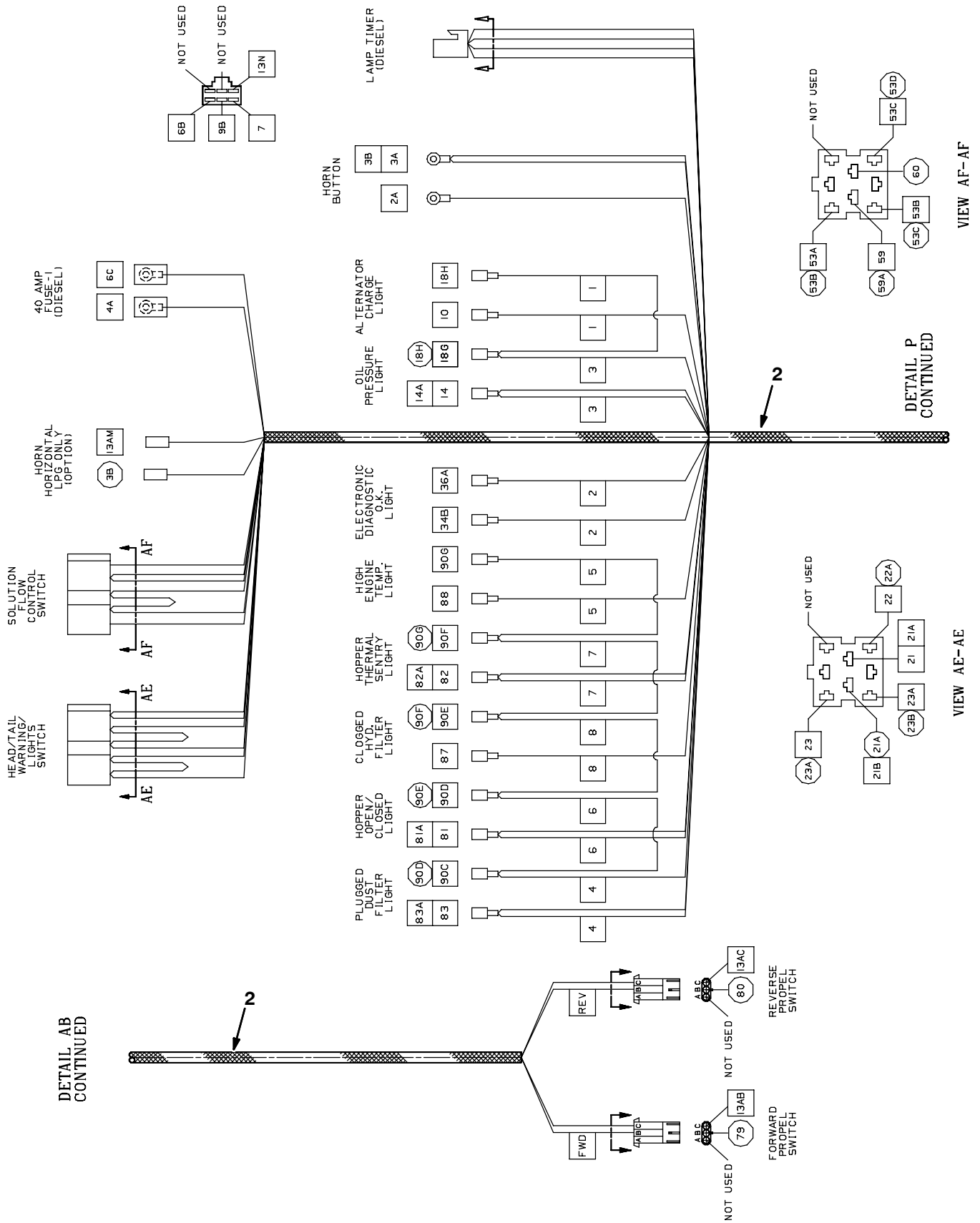


Fig. 79 - Electrical Wire Harness Group
Main Wire Harness (000000-019999)

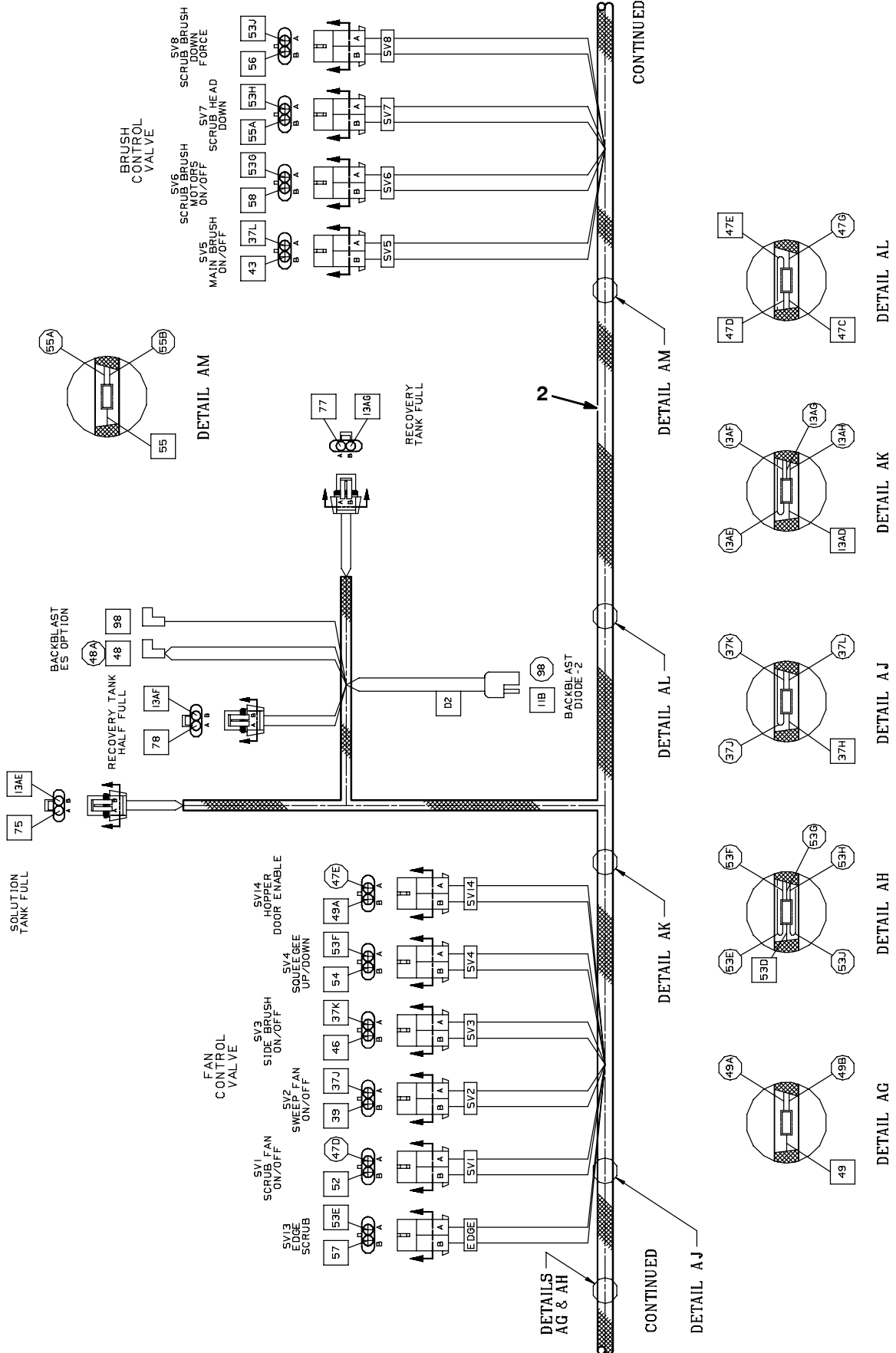


Fig. 79 - Electrical Wire Harness Group
Main Wire Harness (000000-019999)

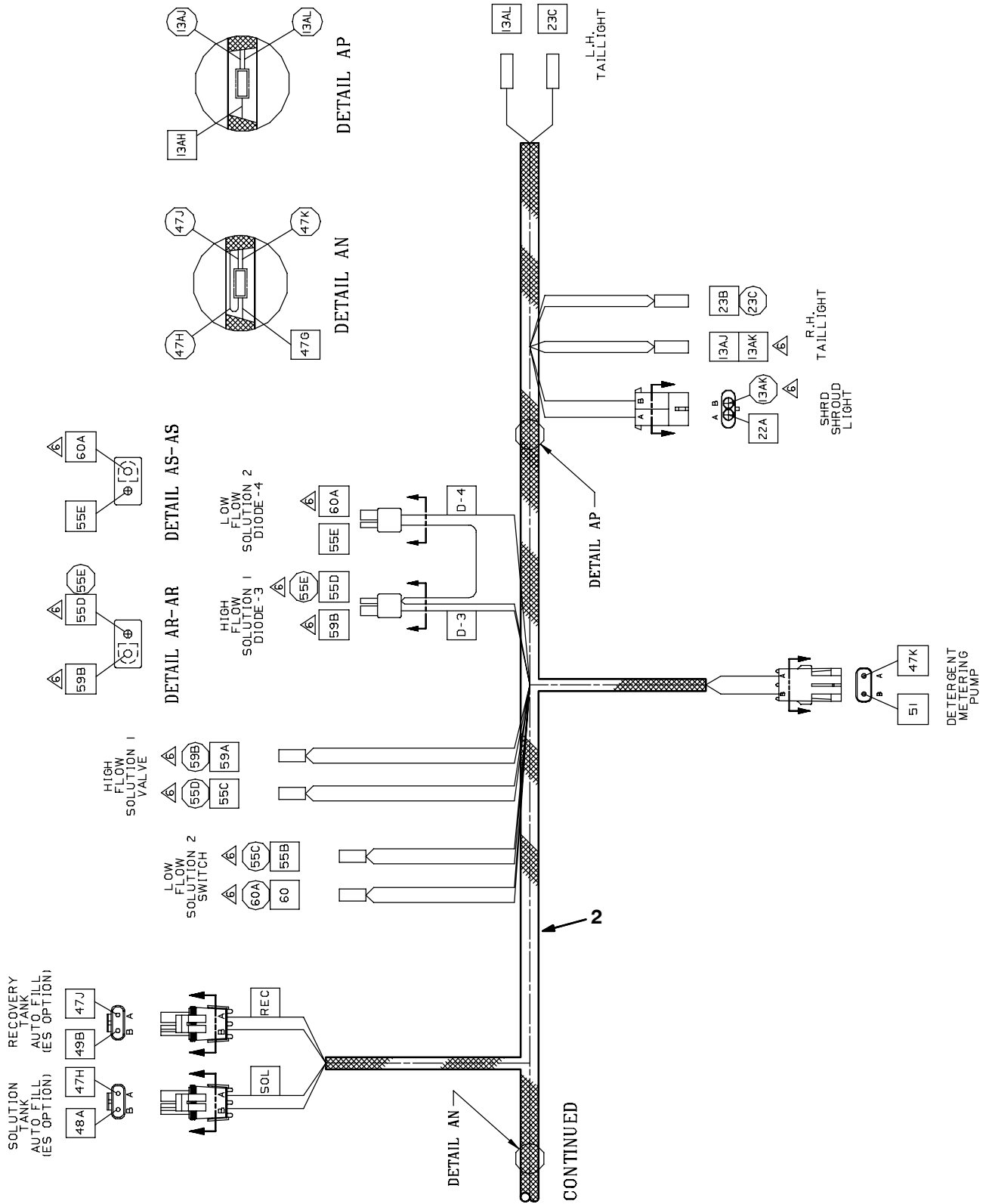
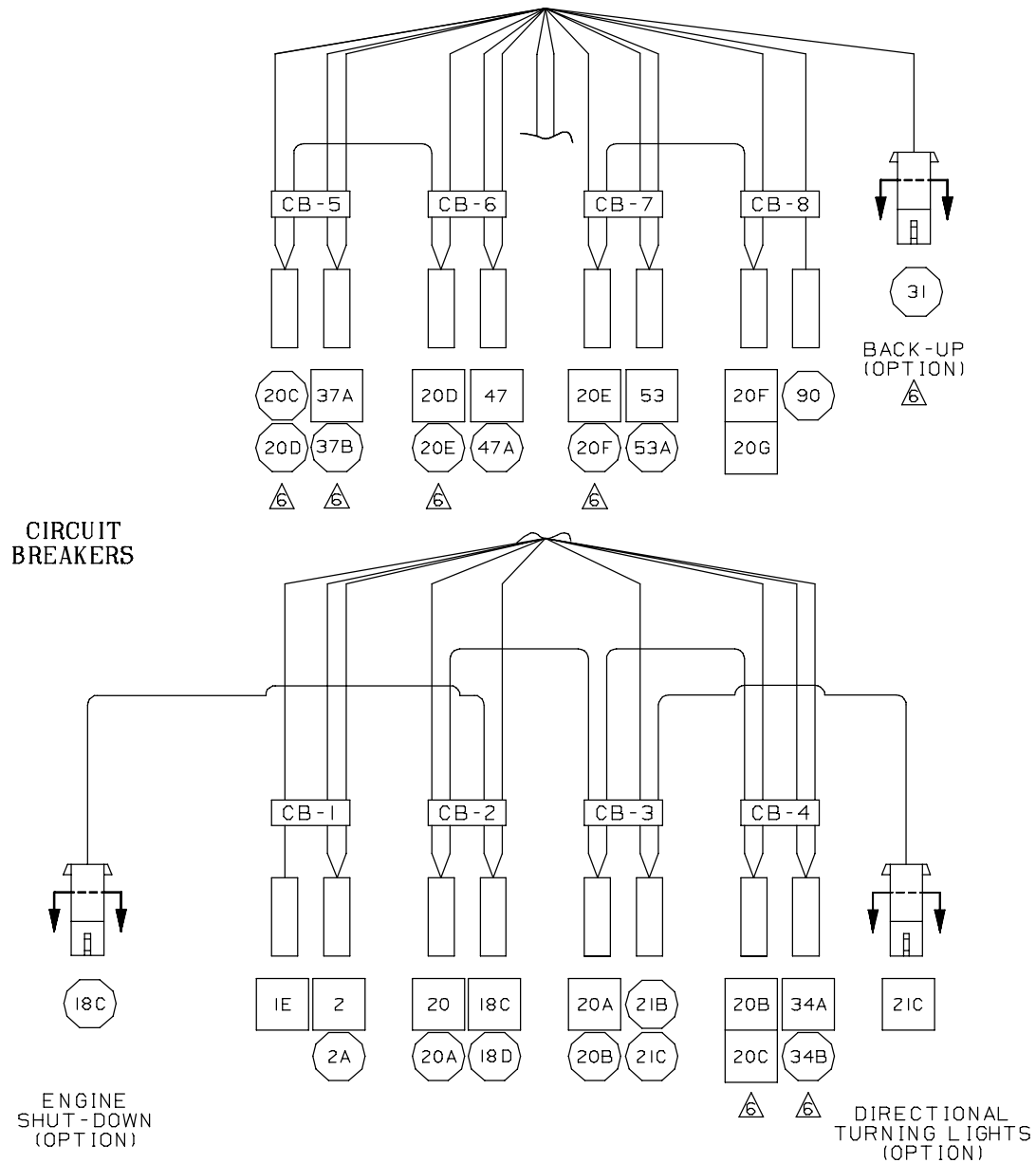


Fig. 79 - Electrical Wire Harness Group

Main Wire Harness (000000-019999)

DETAIL Q

CONTINUED



- CB-1 IGNITION AND HORN
- CB-2 RUN RELAY, FUEL PUMP, SHUTDOWN RELAY, OIL PRESSURE, IGN. COIL
- CB-3 WARNING, VEHICLE, DIRECTIONAL LIGHTS
- CB-4 MACHINE FAULT ALARM
- CB-5 SWEEP VAC FAN, HOPPER DOOR, MAIN AND SIDE BRUSHES
- CB-6 AUTOFILL, SCRUB VAC FAN, ES AND DETERGENT PUMPS
- CB-7 SWEEP SOLENOIDS
- CB-8 PLUGGED DUST FILTER, THERMAL SENTRY, CLOGGED HYD. FILTER, POWER WAND, SHAKER MOTOR

Fig. 79 - Electrical Wire Harness Group
Main Wire Harness (020000-)

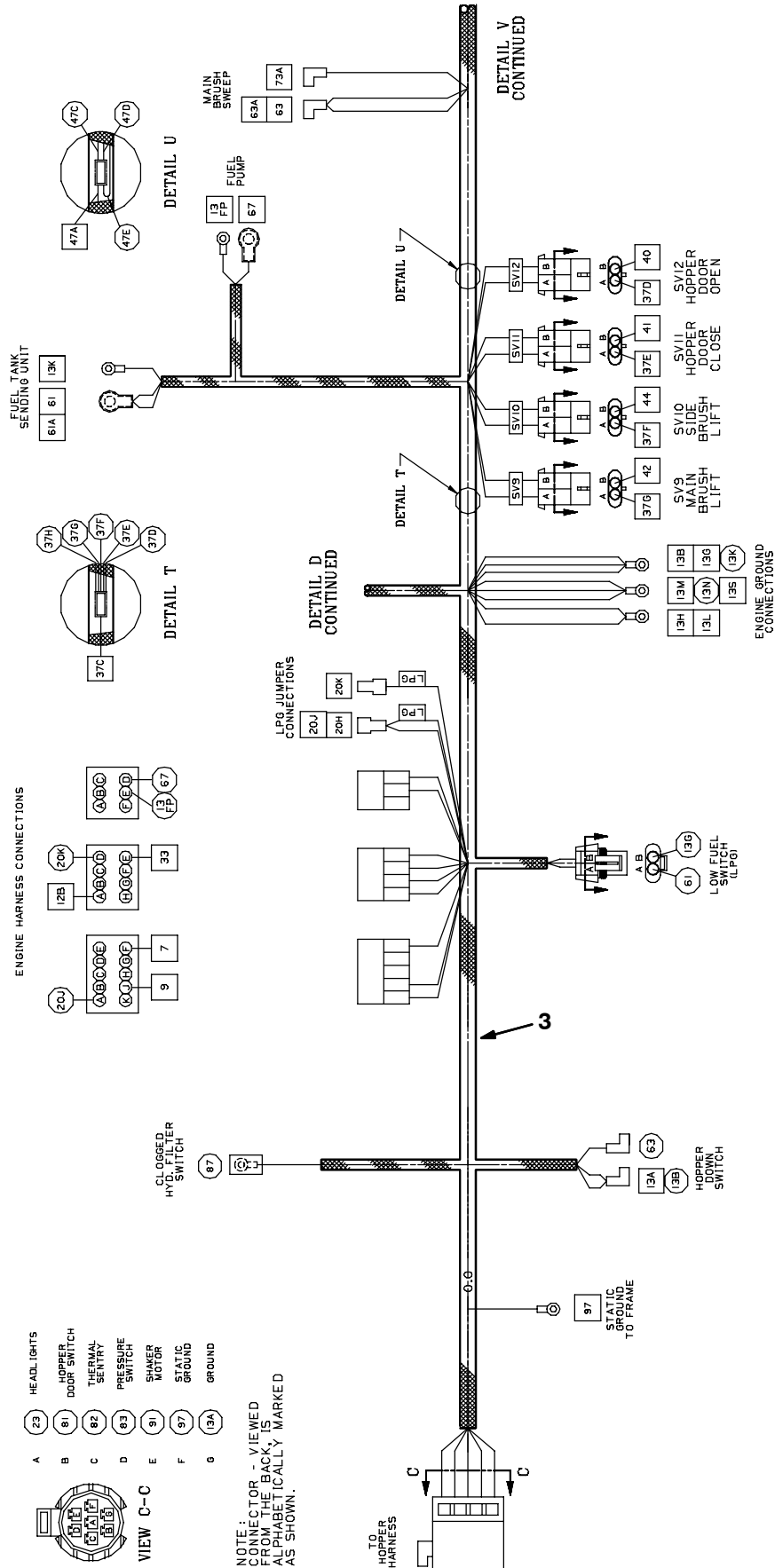


Fig. 79 - Electrical Wire Harness Group
Main Wire Harness (020000-)

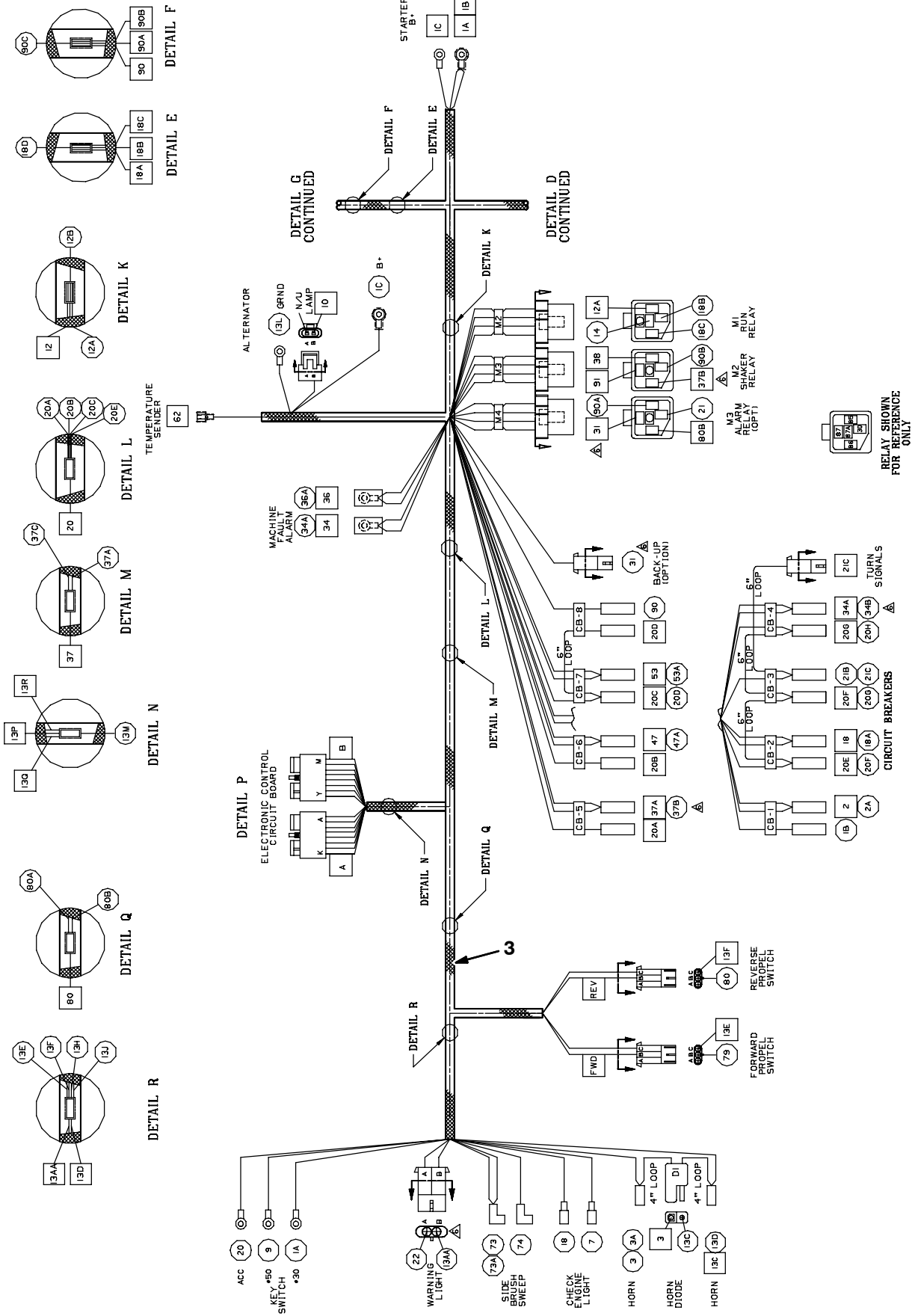


Fig. 79 - Electrical Wire Harness Group
Main Wire Harness (020000-)

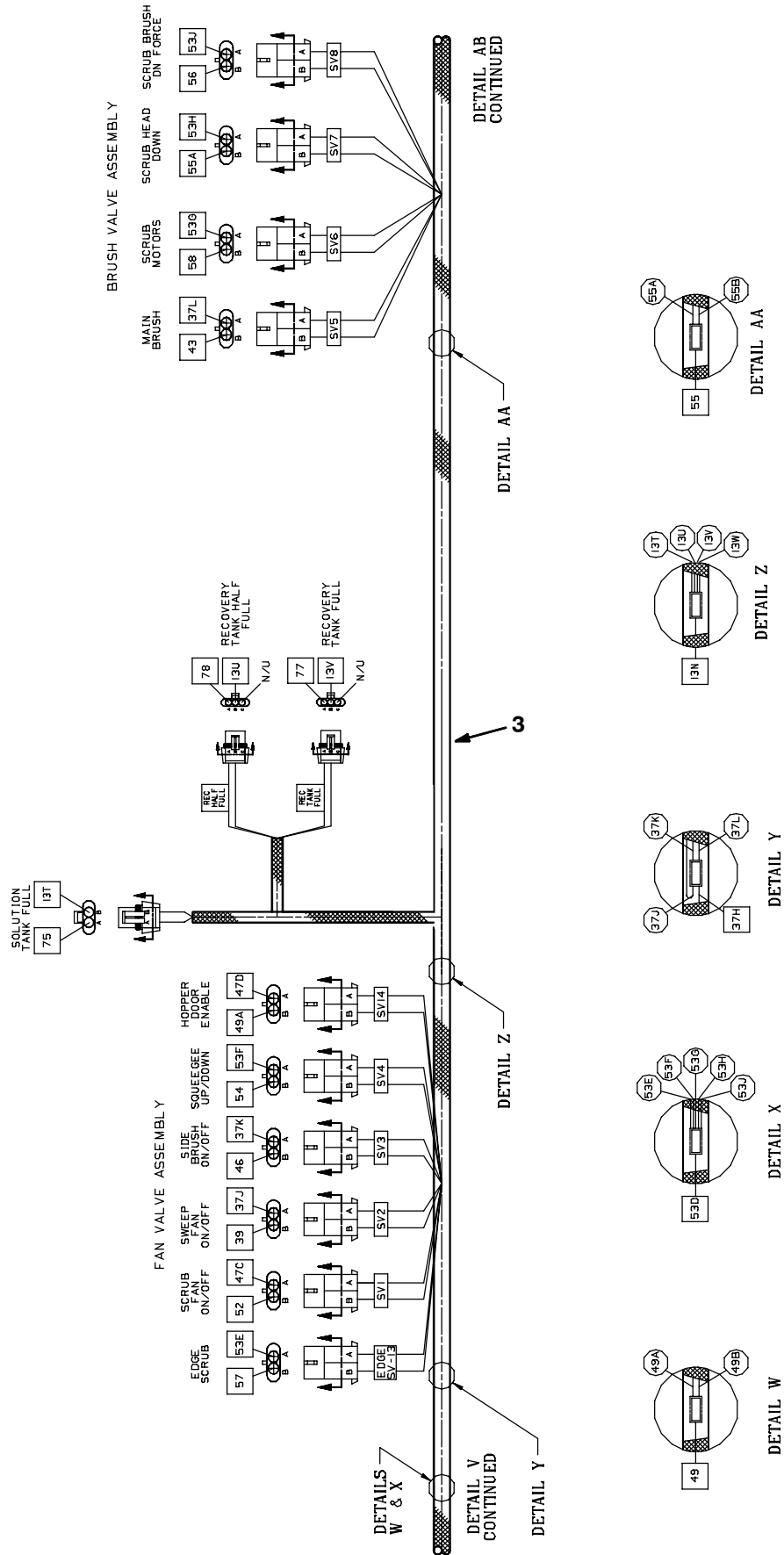


Fig. 79 - Electrical Wire Harness Group
 Engine Wire Harness (00000-006451)

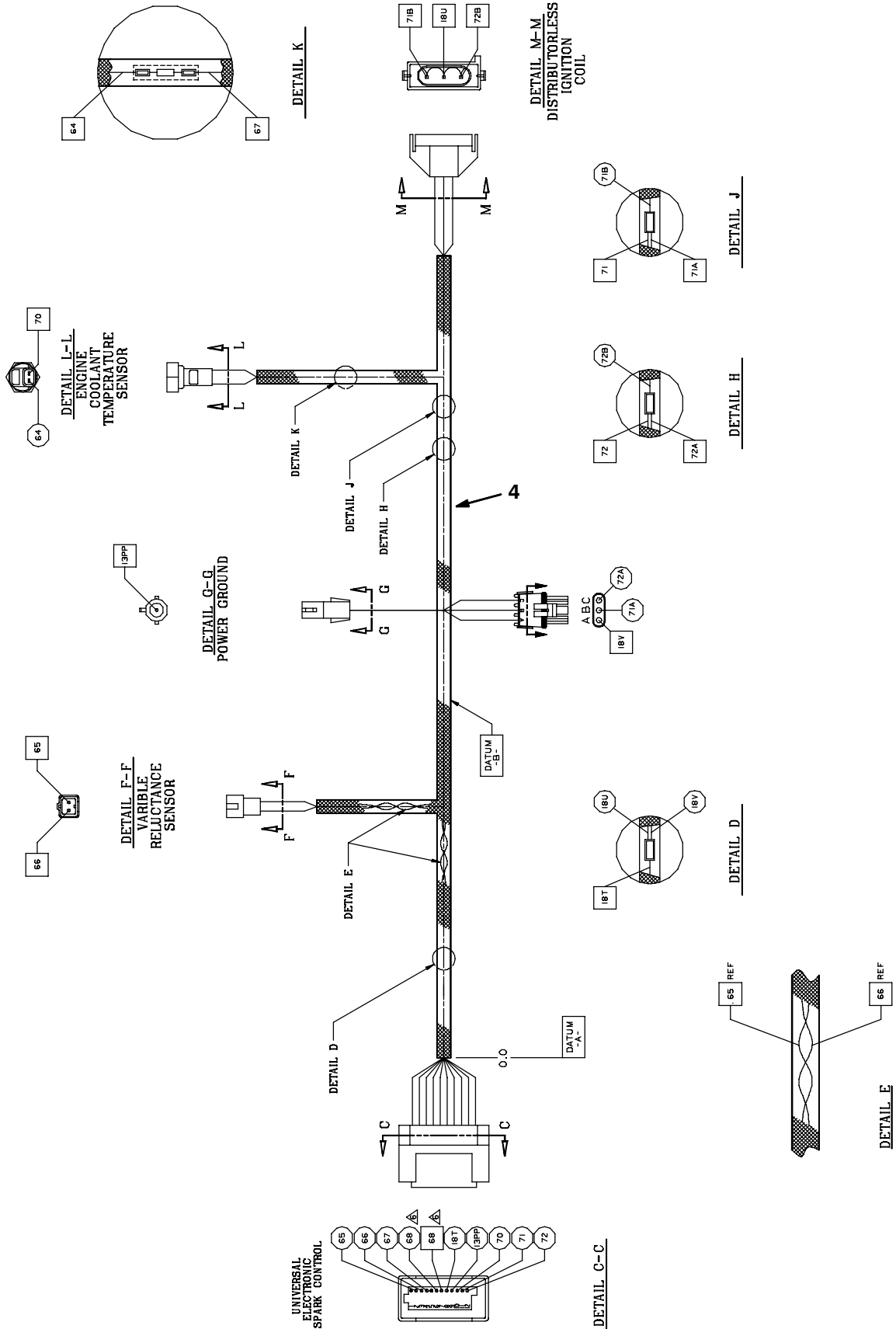


Fig. 79 - Electrical Wire Harness Group
Engine Wire Harness (006452-019999)

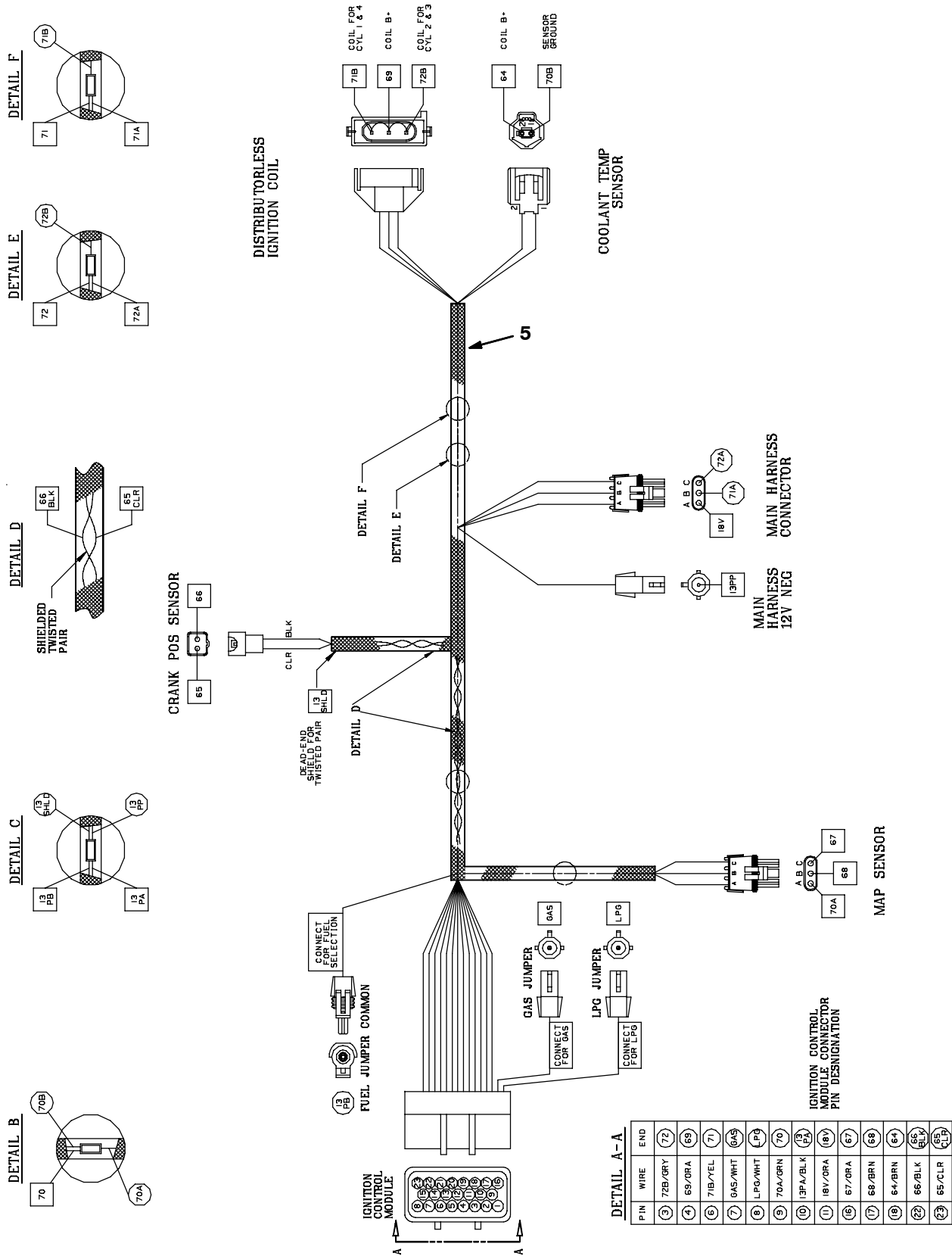


Fig. 79 - Electrical Wire Harness Group

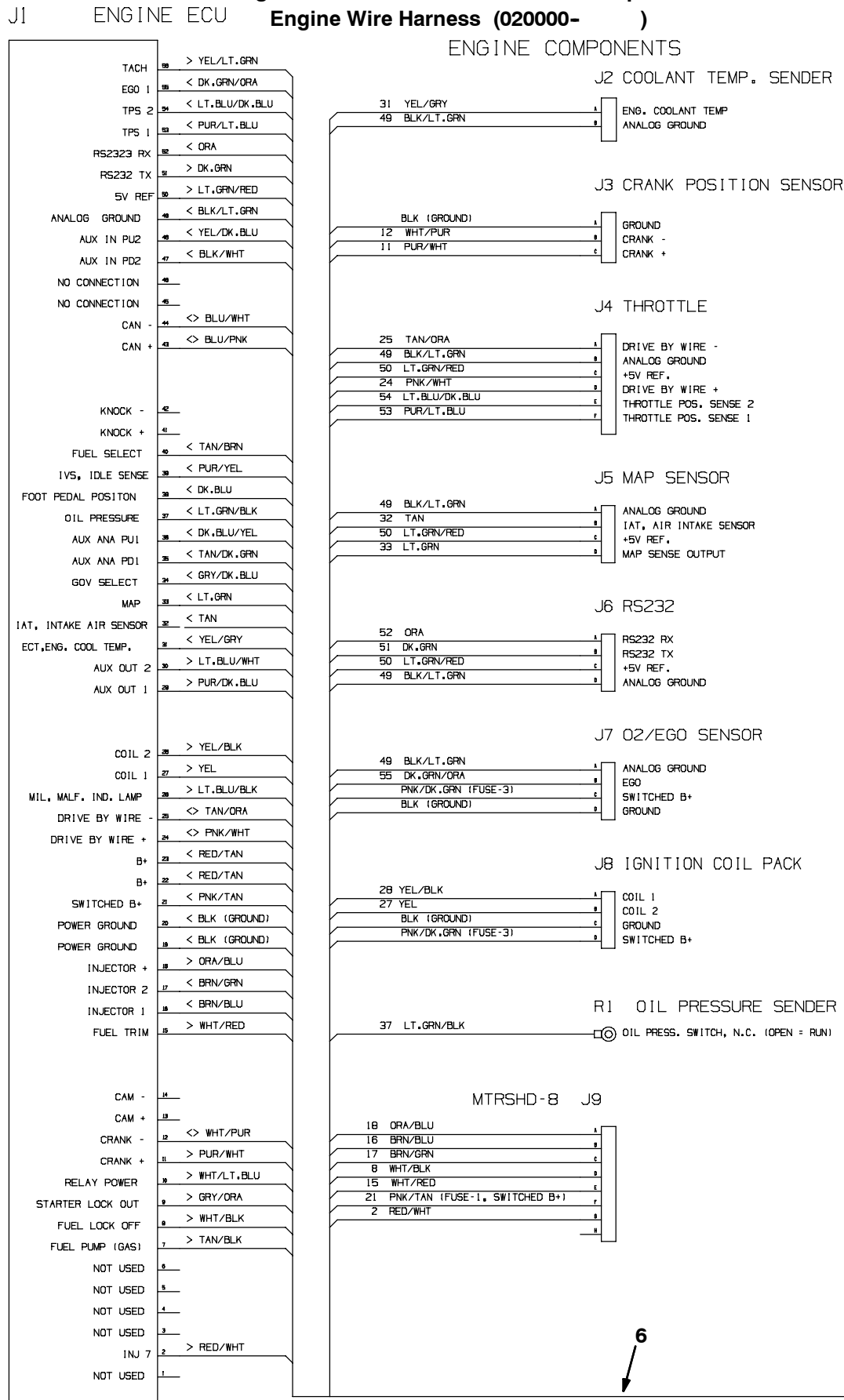
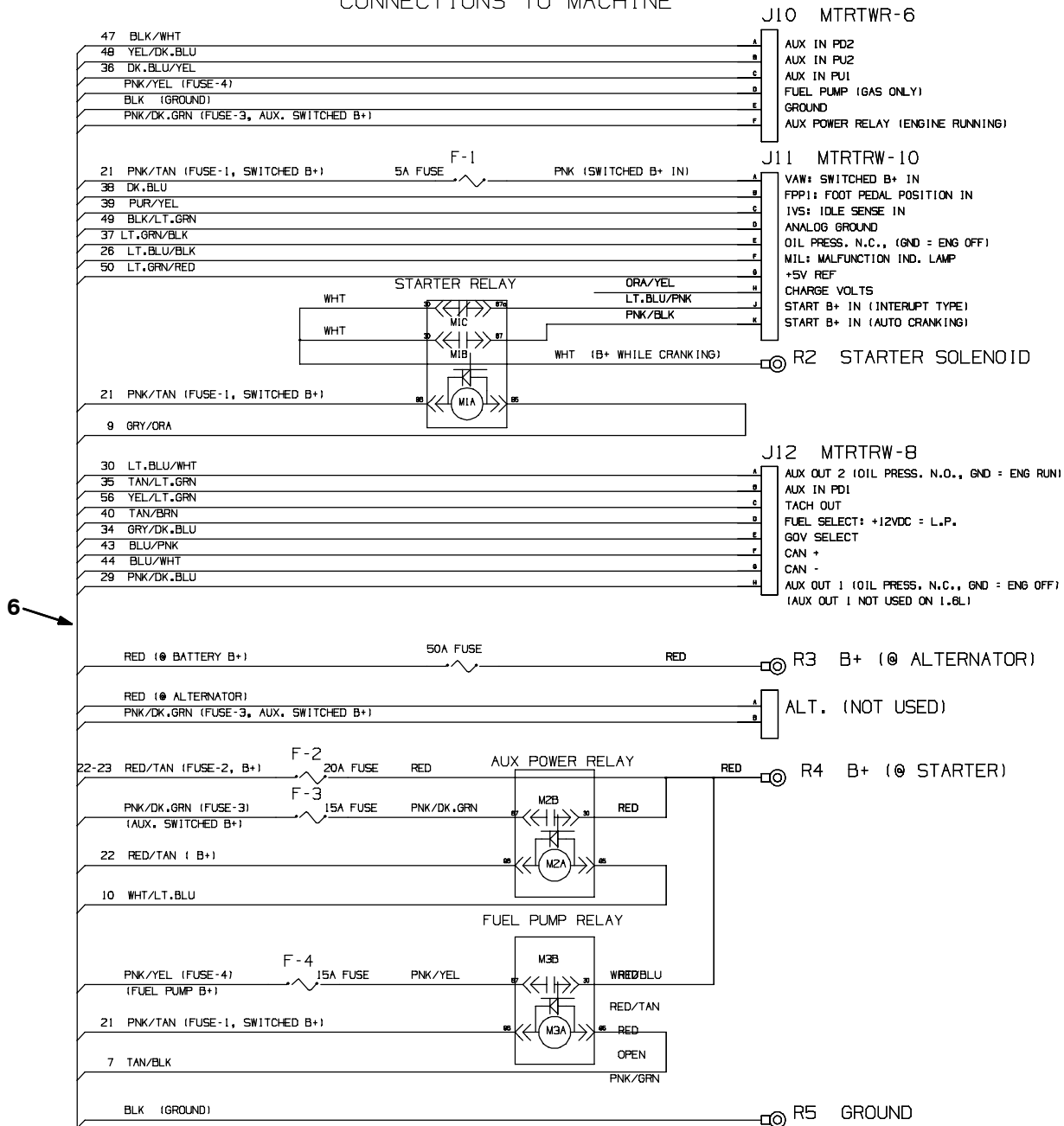


Fig. 79 - Electrical Wire Harness Group
 Engine Wire Harness (020000-)

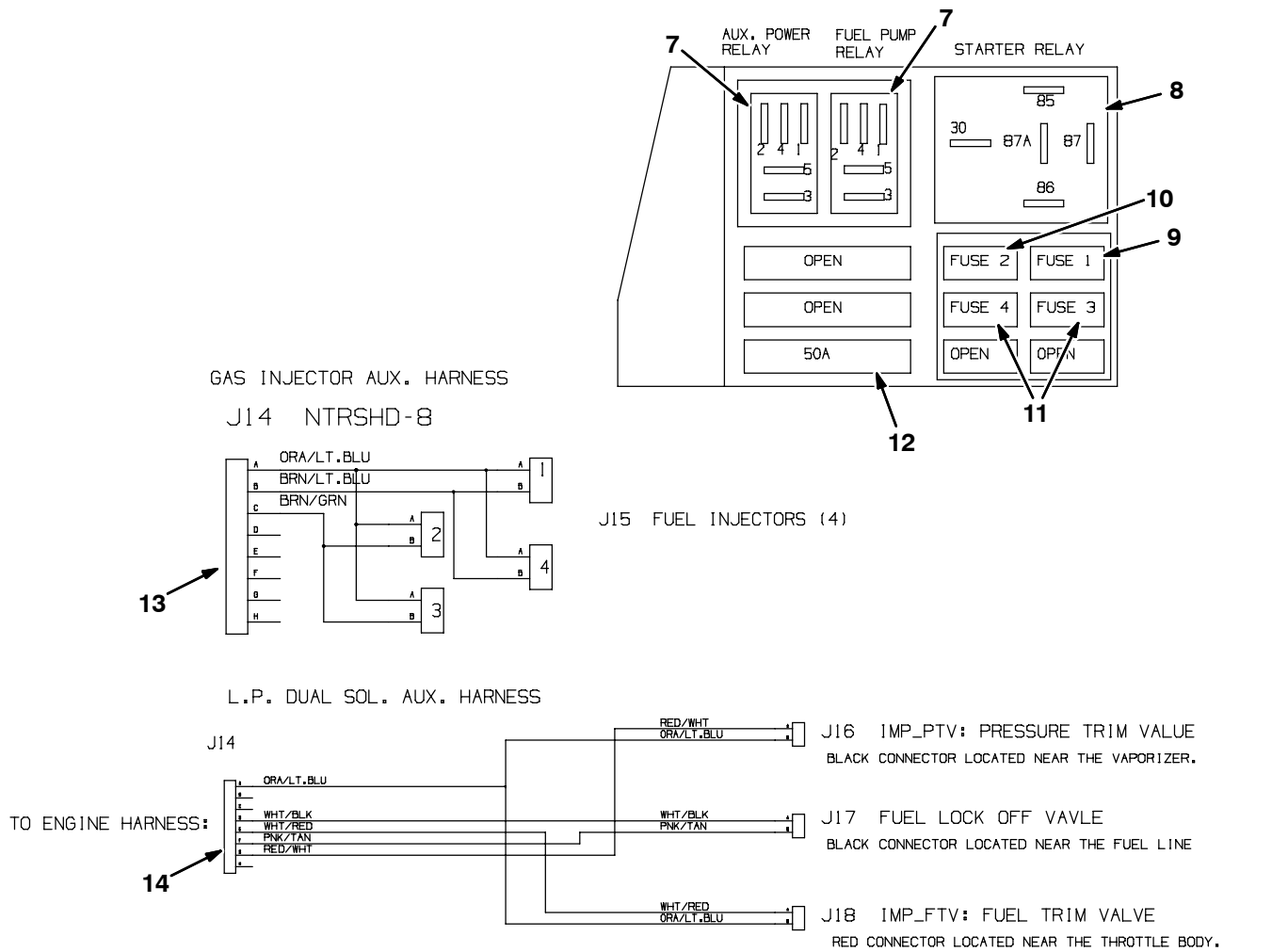
CONNECTIONS TO MACHINE



NOTES:

- 1) VENDOR: E-CONTROLS #E1331100A
- 2) ALL WIRE TO BE: SAE J1128 TXL
- 3) 1.6L GAS ENGINES INC. AUX. INJECTOR HARNESS:
E-CONTROLS #E1408000 / TENNANT #1011019
- 4) 1.6L L.P. ENGINES INC. AUX. INJECTOR HARNESS:
E-CONTROLS #E1408200 / TENNANT #1011020

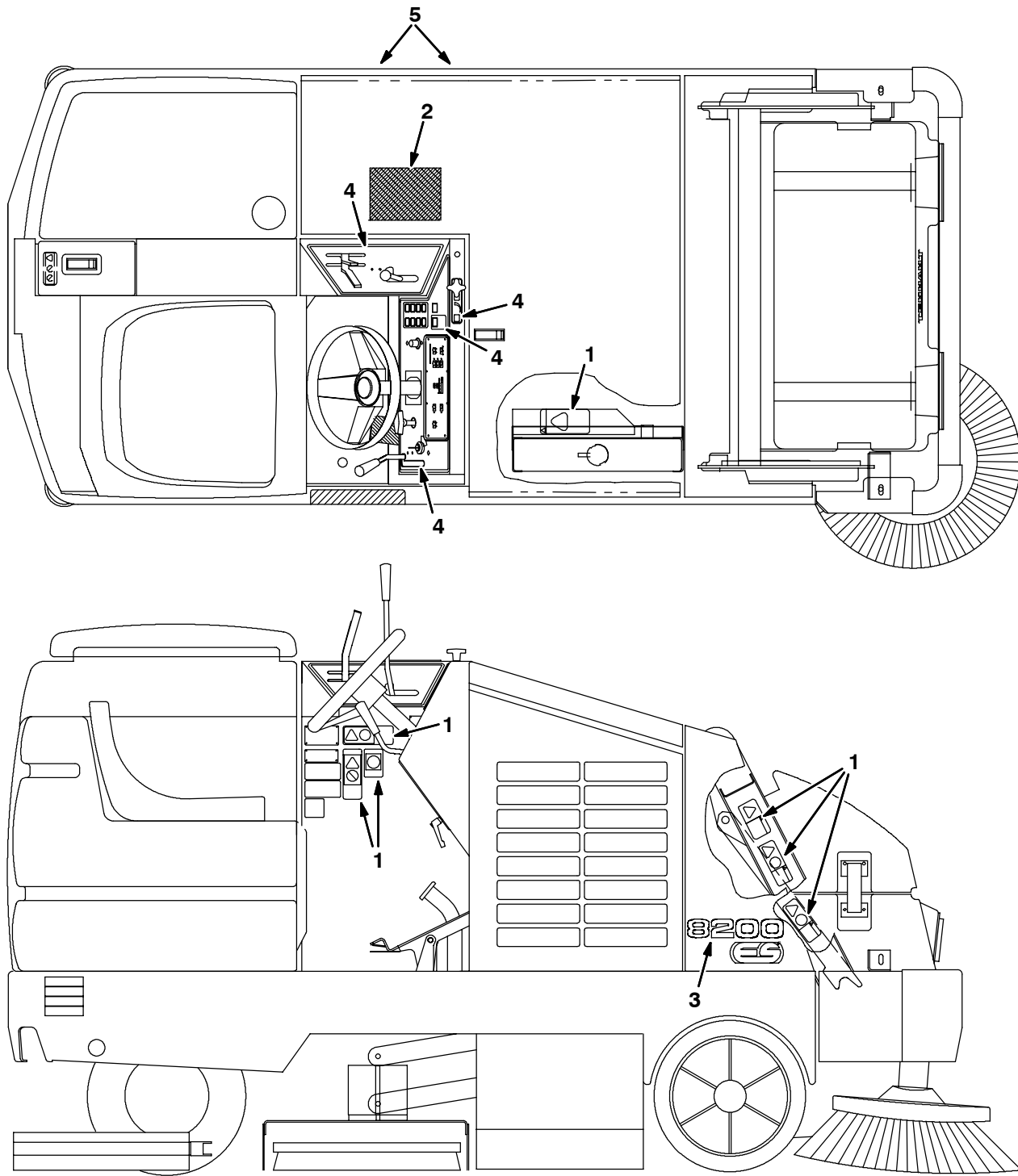
**Fig. 79 - Electrical Wire Harness Group
Engine Wire Harness (020000-)**



351644, 351645, 351681, 353647 - G, LP

Ref.	Part No.	Serial Number	Description	Qty.	
1	364182	(000000-)	Harness, Hopper, 8200/8210	1	
2	364181	(000000-019999)	Harness, Main, Gas/Lpg/Die 8200	1	
3	391896	(020000-)	Harness, Main, Gas/Lpg [8200/8210 Impco]	1	
4	71459	(000000-006451)	Harness, Engine Vsg411/413	1	
5	398509	(006452-009999)	Harness, Engine, Gas/Lpg	1	
▽	6	1011018	(020000-)	Harness, Engine, Gas/Lpg	1
▲	7	394916	(020000-)	Relay, 12 Vdc, 20A, Spdt [Mini]	2
▲	8	57804	(020000-)	Relay, 12 Vdc, 40A, Spdt [Potter]	1
▲	9	372235	(020000-)	Fuse, 5A, [Min-5]	1
▲	10	372237	(020000-)	Fuse, 20A, [Min-20]	1
▲	11	372236	(020000-)	Fuse, 15A, [Min-15]	2
▲	12	394921	(020000-)	Fuse, 50Amp	1
▲	13	1011019	(020000-)	Harness, Injector, Gas [1.6l, Gm, E-Cntrl]	1
▲	14	1011020	(020000-)	Harness, Injector, Lpg [1.6l, Gm, E-Cntrl]	1

Fig. 80 - Label Group



351640 - 8200, NA

Ref.	Part No.	Serial Number	Description	Qty.
1	77221	(000000-)	Label Set, Info & Hzd	1
2	364922	(000000-)	Guide, Use and Care, 8200	1
3	364313	(000000-)	Label, Numerals 8200	1
4	364314	(000000-)	Label Set, Operatnl 8200	1
5	1017141	(020000-)	Label Set, Hi Temp	1

SECTION 3

Contents	Page
Fig. 1 - ES Pump and Autofill Group (000000 - 006550)	3-2
Fig. 2 - ES Pump and Autofill Group (006551-019999)	3-4
Fig. 3 - ES Pump and Autofill Group (020000-)	3-6
Fig. 4 - ES Tanks Group (000000-006550)	3-8
Fig. 5 - ES Tanks Group (006551-019999)	3-10
Fig. 6 - ES Tanks Group (020000-)	3-12
Fig. 7 - ES Solution Tank Drain Group . . .	3-14
Fig. 8 - Detergent Metering Kit (000000-019999)	3-16
Fig. 9 - Detergent Metering Kit (020000-)	3-18
Fig. 10 - Revolving Light Kit	3-20
Fig. 11 - Revolving Light Kit, Overhead Guard	3-22
Fig. 12 - Overhead Guard Kit	3-24
Fig. 13 - Heavy Duty Bumper Kit	3-26
Fig. 14 - Foot Rest Kit	3-28
Fig. 15 - Edge Scrub Head Lift Group, Max Pro 1000 (Two-Brush)	3-30
Fig. 16 - Edge Scrub Head Linkage Group, Max Pro 1000 (Two-Brush)	3-32
Fig. 17 - Scrub Head Lift Group, Max Pro 1200 (Three-Brush) . . .	3-34
Fig. 18 - Scrub Head Group, Max Pro 1200 (Three-Brush) . . .	3-36
Fig. 19 - Scrub Head Linkage Group, Max Pro 1200 (Three-Brush) . . .	3-38
Fig. 20 - Squeegee Group, Max Pro 1200 (Three-Brush), Right Side	3-40
Fig. 21 - Squeegee Pivot Group, Max Pro 1200 (Three-Brush), Right Side	3-42
Fig. 22 - Squeegee Group, Max Pro 1200 (Three-Brush), Left Side	3-44
Fig. 23 - Squeegee Hose's Group, Max Pro 1200 (Three-Brush) . . .	3-46
Fig. 24 - Max Path Side Brush Kit, Max Pro 1200 (Three Brush)	3-48
Fig. 25 - Side Brush Dust Control Kit, Max Path	3-50

Contents	Page
Fig. 26 - Side Brush Dust Control Kit	3-52
Fig. 27 - Vacuum Wand Kit	3-54
Fig. 28 - Fuel Tank and Engine Cover Group, Horizontal LPG (000000-006137)	3-56
Fig. 29 - Fuel Tank Group, Horizontal LPG (006138-019999)	3-58
Fig. 30 - Fuel Tank Group, Horizontal LPG (020000-)	3-60
Fig. 31 - Engine Side Door and Cover Group, Horizontal LPG	3-62
Fig. 32 - Severe Enviroment Kit	3-64
Fig. 33 - Hopper Door Light Kit	3-66
Fig. 34 - Steering Tilt Kit	3-68
Fig. 35 - Seat Belt Kit	3-70
Fig. 36 - Deluxe Suspension Seat Group . .	3-72
Fig. 37 - Adjustable Seat Group	3-73
Fig. 38 - Fire Extinguisher Kit	3-74
Fig. 39 - Heavy Duty Engine Air Filter Kit . .	3-75
Fig. 40 - Back-up Alarm Kit	3-76
Fig. 41 - Soft Ride Puncture Proof Tire and Wheel Assembly	3-78
Fig. 42 - Positive Solution Control Drain Kit, Standard	3-80
Fig. 43 - Positive Solution Control Drain Kit, ES	3-82
Fig. 44 - Protectoseal Fuel Tank Cap Group	3-84
Fig. 45 - Squeegee Guard Kit	3-85
Fig. 46 - Documentation Group	3-86

Fig. 1 - ES Pump and Autofill Group (000000 - 006550)

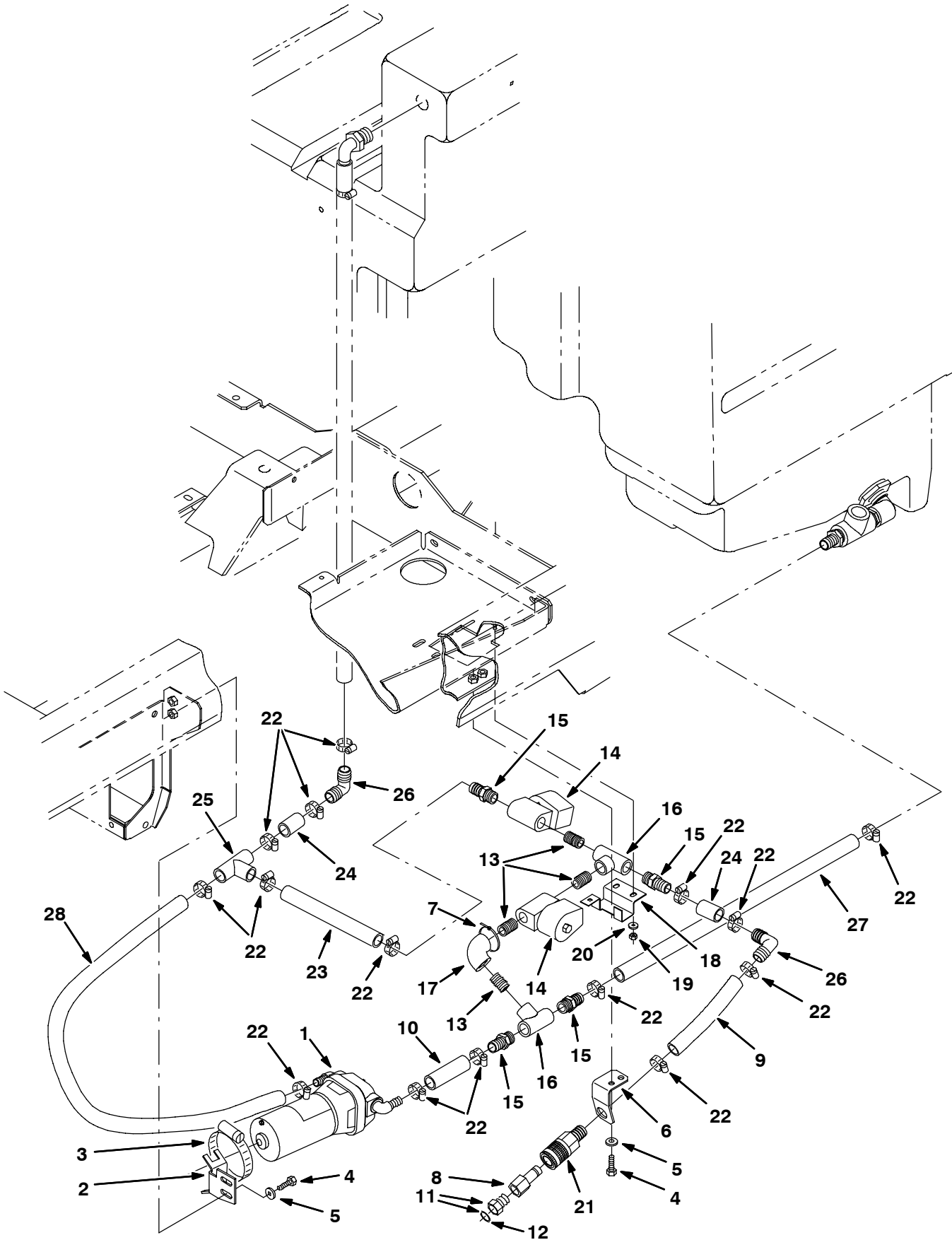


Fig. 1 - ES Pump and Autofill Group (000000- 006550)

Ref.	Part No.	Serial Number	Description	Qty.
1	364638	(000000-006550)	Pump, Assy, Flowjet, (See Breakdowns)	1
2	364542	(000000-006550)	Bracket, Mtg, Pump, ES™	1
3	17188	(000000-006550)	Clamp, Wormdrive	1
4	09740	(000000-006550)	Screw, Hex, M08-1.25 X 20, Ss	4
5	01685	(000000-006550)	Washer, Flat, .31 Ss	4
6	364543	(000000-006550)	Bracket, Quick Disconnect	1
7	49266	(000000-006550)	Tie, Cable 1.75D Max 7.50Lg	1
8	33295	(000000-006550)	Fitting, Qdc	1
9	364895	(000000-006550)	Hose	1
10	364890	(000000-006550)	Hose, Vin Brd .75ldx1.00dx3.25	1
▽	11	375322	(000000-006550) Kit, Fitting, Garden Hose	1
▲	12	01316	(000000-006550) Washer, Rbr, .12 0.66B 1.00D	1
▽		364866	(000000-006550) Manifold, Es 8200	1
▲	13	11442-3	(000000-006550) Fitting, Pipe	4
▲	14	73433	(000000-006550) Valve, Solenoid, 12V Dc	2
▲	15	78398	(000000-006550) Fitting, Plstc, Str	4
▲	16	79497	(000000-006550) Fitting, Plstc, Tee	2
▲	17	79572	(000000-006550) Fitting, Plstc, Elbow	1
	18	364545	(000000-006550) Bracket, Support, Auto-Fill	1
	19	08712	(000000-006550) Nut, Hex, Lock, M06-1.0, NI,Ss	3
	20	01684	(000000-006550) Washer, Flat, .25 Ss	3
	21	24105	(000000-006550) Fitting, Qdc, Female	1
	22	63810	(000000-006550) Clamp, Wormdrive	15
	23	364896	(000000-006550) Hose, Vin Brd .75ld1.0ld12.00I	1
	24	364899	(000000-006550) Hose, Vin Brd .75ld1.00d1.50I	2
	25	75119	(000000-006550) Fitting, Plstc, Tee	1
	26	40566	(000000-006550) Fitting, Plstc, Elbow	2
	27	364897	(000000-006550) Hose, Vin Brd .75ld1.00d30.00I	1
	28	364894	(000000-006550) Hose, Vin Brd .75ld1.00d35.00I	1

Fig. 2 - ES Pump and Autofill Group (006551-019999)

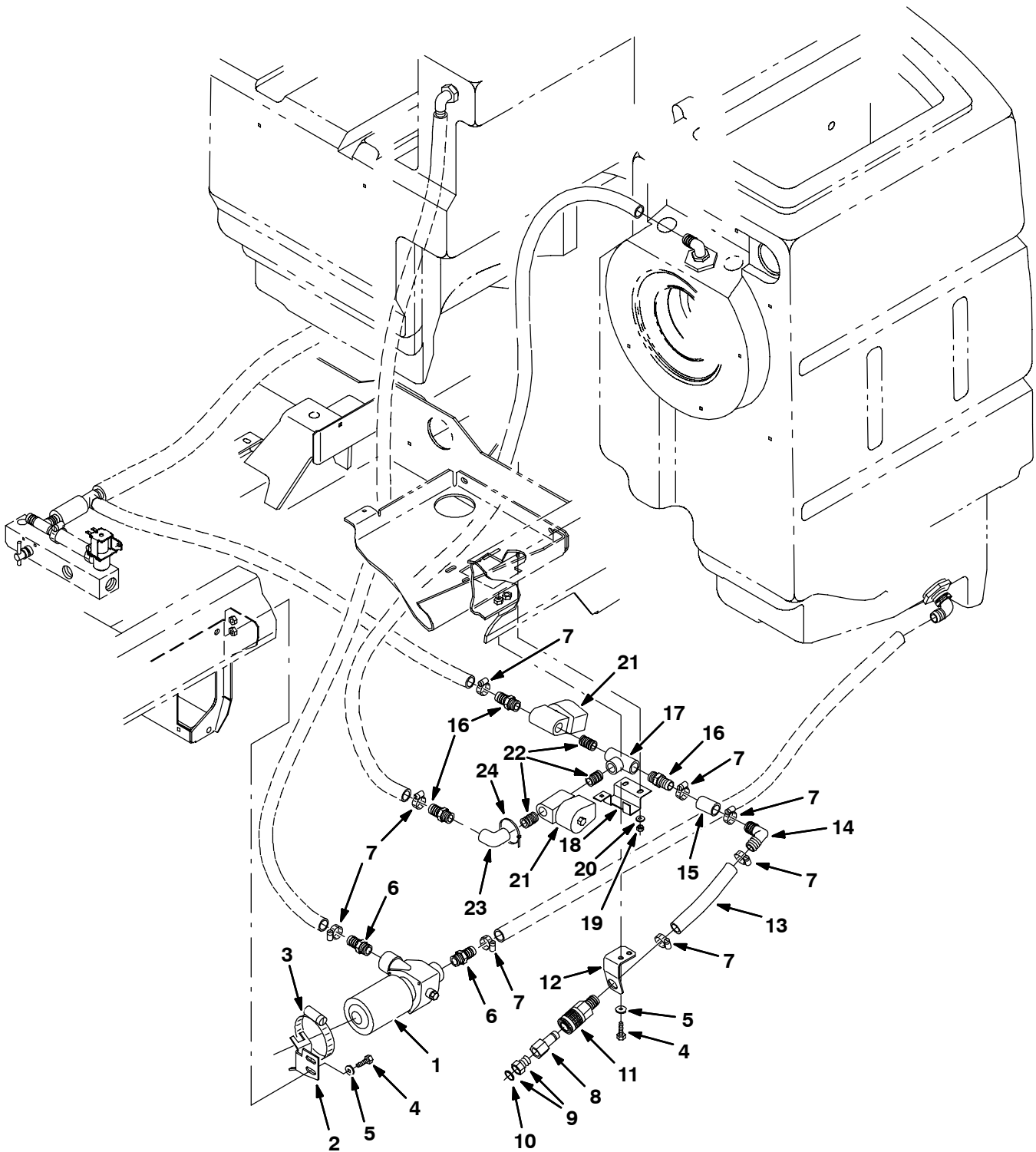


Fig. 2 - ES Pump and Autofill Group (006551-019999)

Ref.	Part No.	Serial Number	Description	Qty.	
1	1017076	(006551-019999)	Pump, Soltn, Impeller, 12Vdc	1	
2	364542	(006551-019999)	Bracket, Mtg, Pump, Es	1	
3	17188	(006551-019999)	Clamp, Hose, Wormdrive, 1.62-3.50d	1	
4	09740	(006551-019999)	Screw, Hex, M08 X 1.25 X 20, Ss	4	
5	01685	(006551-019999)	Washer, Flt, .31 Ss	4	
6	377334	(006551-019999)	Fitting, Brs, Str, Bm12/Pm12	2	
7	63810	(006551-019999)	Clamp, Hose, Wormdrive, 0.56-1.06d	8	
8	33295	(006551-019999)	Fitting, Qm, Male	1	
▽	9	375322	(006551-019999)	Kit, Fitting, Garden Hose	1
▲	10	01316	(006551-019999)	Washer, Rbr, .12 0.66B 1.00D	1
11	24105	(006551-019999)	Fitting, Brs, Qdc, Bm12/Qf08	1	
12	364543	(006551-019999)	Bracket, Qdc	1	
13	364895	(006551-019999)	Hose, Pvc, Brd, 0.75id 1.03od 05.00l	1	
14	40566	(006551-019999)	Fitting, Plstc, E90, Bm12/Bm12	1	
15	364899	(006551-019999)	Hose, Pvc, Brd, 0.75id 1.03od 01.50l	1	
16	78398	(006551-019999)	Fitting, Plstc, Str, Bm12/Pm08	3	
17	79497	(006551-019999)	Fitting, Plstc, Tee, Pf08/Pf08/Pf08	1	
18	364545	(006551-019999)	Bracket, Sppt, Auto Fill	1	
19	08712	(006551-019999)	Nut, Hex, Lock, M06 X 1.0, NI, Ss	3	
20	01684	(006551-019999)	Washer, Flt, .25 Ss	6	
21	73433	(006551-019999)	Valve, Solenoid, 12vdc	2	
22	11442-3	(006551-019999)	Fitting, Pipe, Str, Pm08/Pm08 Close,Blk	3	
23	79572	(006551-019999)	Fitting, Plstc, E90, Pf08/Pf08	1	
24	49266	(006551-019999)	Tie, Cable, Nyl, 07.3l .19w 1.8 Max D	1	

Fig. 3 - ES Pump and Autofill Group (020000-)

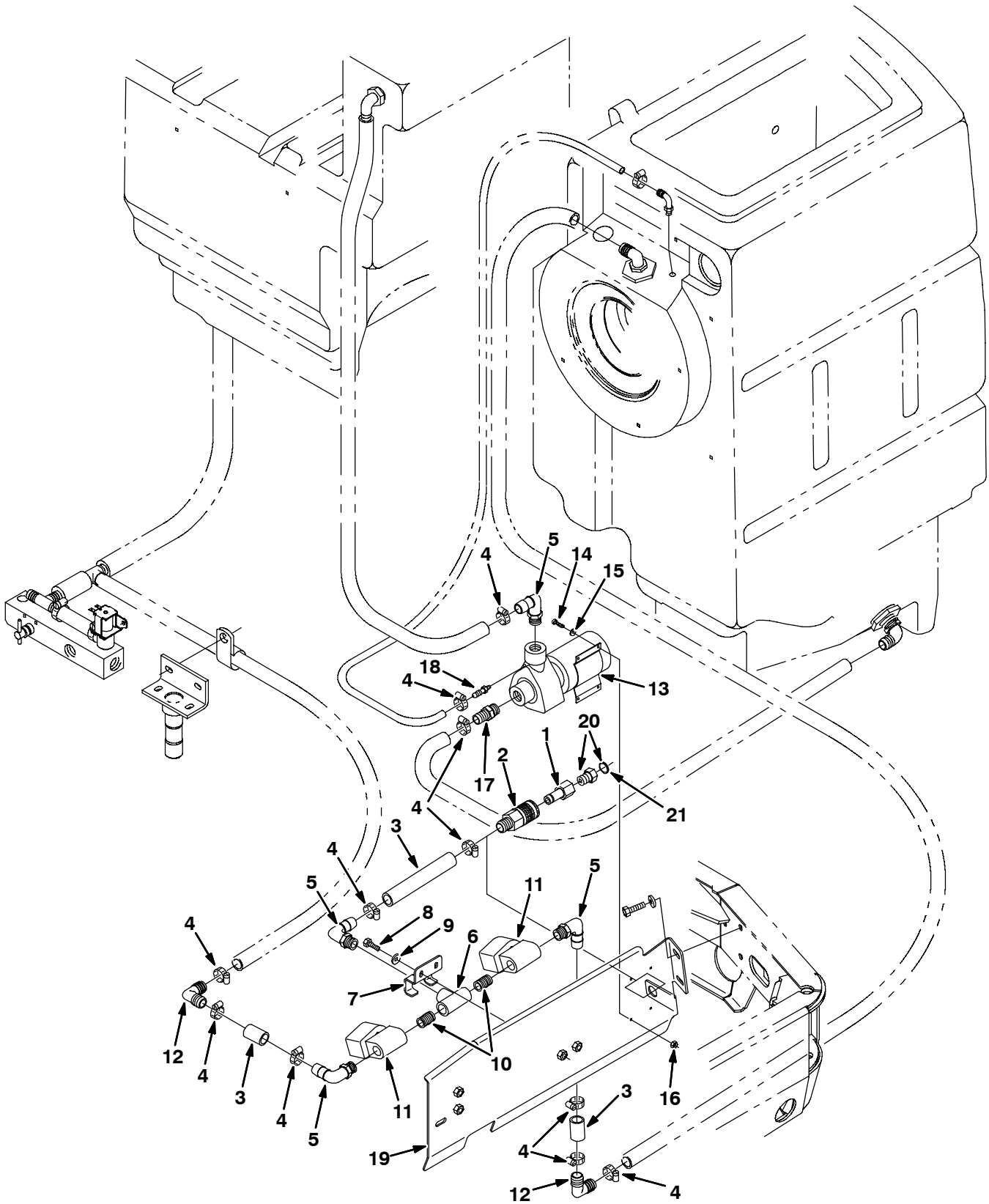


Fig. 3 - ES Pump and Autofill Group (020000-)

Ref.	Part No.	Serial Number	Description	Qty.	
1	33295	(020000-) Fitting, Brs, Qdc, Pf08 [Parker Bh3f]	1	
2	24105	(020000-) Fitting, Brs, Qdc, Bm12/Qf08	1	
3	1015048	(020000-) Hose, Afmkt, Pvc, Brd 0.75id 1 Ft	3	
4	63810	(020000-) Clamp, Hose, Wormdrive, 0.56-1.06d	11	
5	63244-2	(020000-) Fitting, Plstc, E90, Bm12/Pm08	4	
6	79497	(020000-) Fitting, Plstc, Tee, Pf08/Pf08/Pf08	1	
7	1016837	(020000-) Bracket, Mtg, Valve	1	
8	08716	(020000-) Screw, Hex, M6 X 1.0 X 20, Ss	2	
9	01684	(020000-) Washer, Flat, 0.25 Ss	2	
10	11442-3	(020000-) Fitting, Pipe, Str, Pm08/Pm08 Close,Blk	2	
11	73433	(020000-) Valve, Water, Sol, 12vdc 0.08pf	2	
12	40566	(020000-) Fitting, Plstc, E90, Bm12/Bm12	2	
13	1017076	(020000-) Pump, Soltn, Impeller, 12Vdc	1	
14	24265	(020000-) Screw, Pan, M4 X 0.7 X 16, Ss	4	
15	41579	(020000-) Washer, Flat, #08 Ss	4	
16	33932	(020000-) Nut, Hex, Lock, M4 X 0.7, NI, Ss	4	
17	377334	(020000-) Fitting, Brs, Str, Pm12/Bm12	1	
18	82544	(020000-) Fitting, Brs, Str, Pm02/Bm05	1	
19	1016809	(020000-) Bracket, Mtg, Pump	1	
▽	20	375322	(020000-) Kit, Fitting, Garden Hose	1
▲	21	01316	(020000-) Washer, Rbr, .12 0.66B 1.00D	1

Fig. 4 - ES Tanks Group (000000-006550)

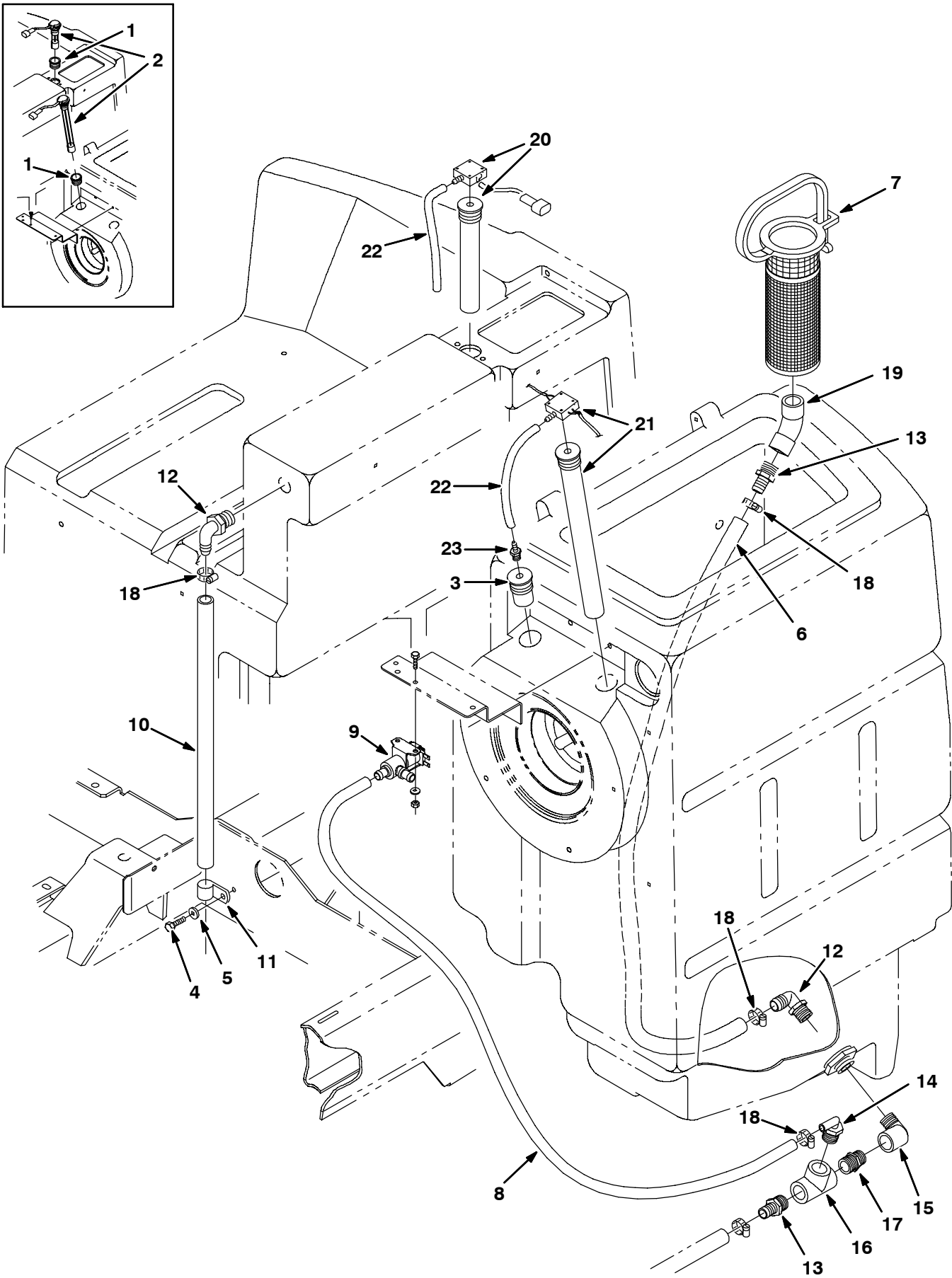


Fig. 4 - ES Tanks Group (000000-006550)

Ref.	Part No.	Serial Number	Description	Qty.
1	223528	(000000-006214)	Grommet, Level	2
2	393320	(000000-006214)	Kit, Press Switch, ES Level [8200/10]	1
3	385750	(006215-006550)	Tube Assembly, 2 in	1
4	15675	(000000-006550)	Screw, Hex, M08-1.25 X 16, Ss	1
5	01685	(000000-006550)	Washer, Flat, .31 Ss	1
6	365191	(000000-006550)	Hose, Vinyl	1
7	385667	(000000-006550)	Strainer, Recovery	1
8	25603	(000000-006550)	Hose, Vinyl, Clear	1
9	369320	(000000-006550)	Valve,Water 12V Soleniod (Replaced by 369850)	1
10	364898	(000000-006550)	Hose, Vin Brd .75Id1.0Od24.0OI	1
11	40678-1	(000000-006550)	Clamp, Cable	1
12	14877	(000000-006550)	Fitting, Elbow	2
13	79273-2	(000000-006550)	Fitting, Plstc, Cplg	2
14	63244-3	(000000-006550)	Fitting, Plstc, Elbow	1
15	69785	(000000-006550)	Fitting, Plstc, Elbow	1
16	42133A	(000000-006550)	Fitting, Plstc, Tee	1
17	24544	(000000-006550)	Fitting, Plstc, Str	1
18	63810	(000000-006550)	Clamp, Wormdrive	4
19	10575	(000000-006550)	Fitting, Plastic	1
20	375429	(006215-006550)	Kit, Replmt, Press Switch/8" Tube	1
21	375430	(006215-006550)	Kit, Replmt, Dual Press/14" Tube	1
22	57578	(006215-006550)	Hose, Vacuum	2
23	40607	(006215-006550)	Fitting, Straight	1

Fig. 5 - ES Tanks Group (006551-019999)

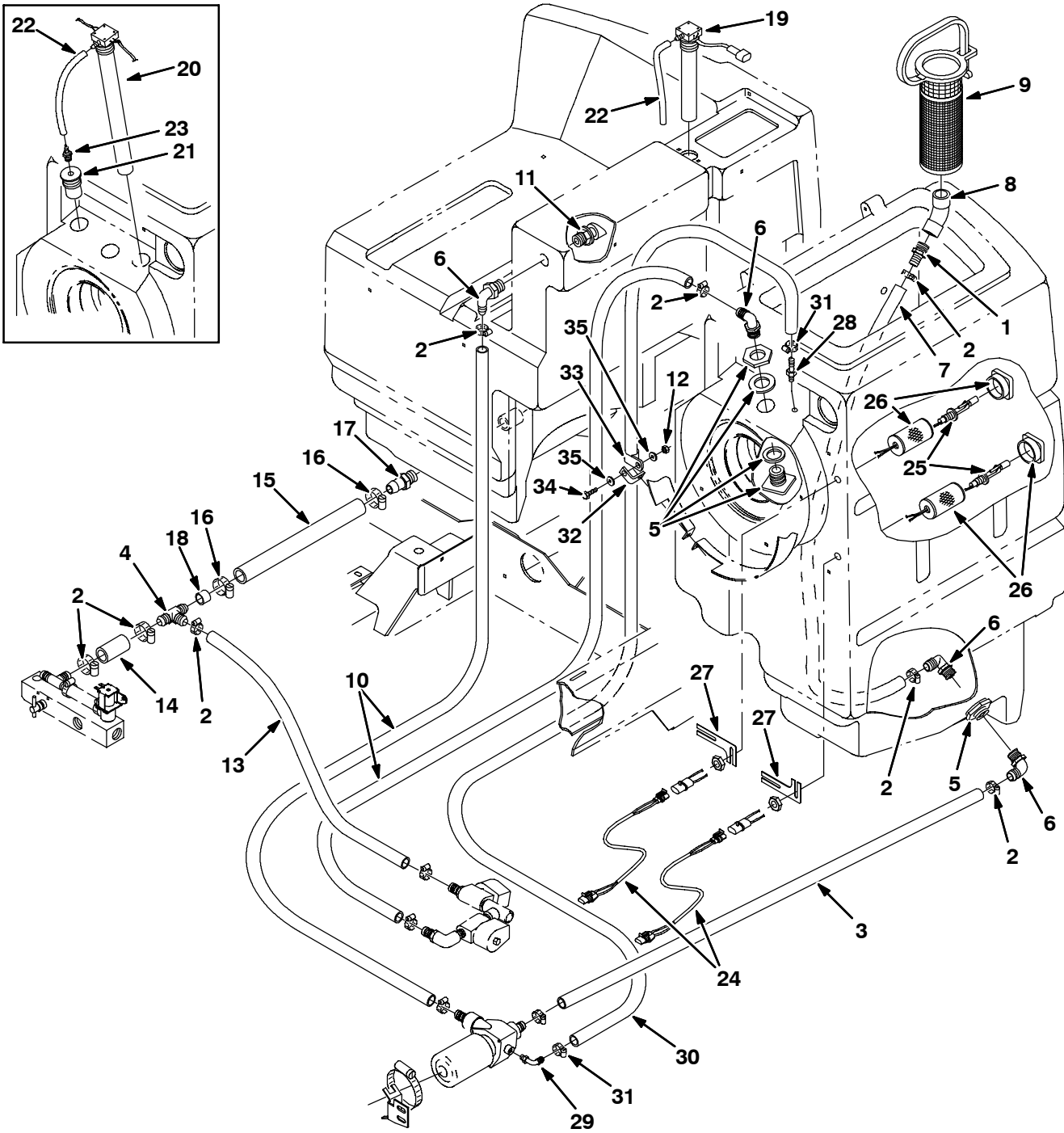


Fig. 5 - ES Tanks Group (006551-019999)

Ref.	Part No.	Serial Number	Description	Qty.
1	79273-2	(006551-019999)	Fitting, Plstc, Str, Bm12/Pm12	3
2	63810	(006551-019999)	Clamp, Hose, Wormdrive, 0.56-1.06d	8
3	364897	(006551-019999)	Hose, Pvc, Brd, 0.75id 1.03od 30.00l	1
4	75119	(006551-019999)	Fitting, Plstc, Tee, Bm12/Bm12/Bm12	1
5	377349	(006551-019999)	Fitting, Plstc, Bkhd, Pf12/Pf12	2
6	14877	(006551-019999)	Fitting, Plstc, E90, Bm12/Pm12	4
7	365191	(006551-019999)	Hose, Pvc, Wir, 0.75id 0.94od 36.00l	1
8	10575	(006551-019999)	Fitting, Plstc, E45, Pf12/Pf12	1
9	375424	(006551-019999)	Strainer, Soltn, 20mesh Cyl 3.5d 7.5l	1
10	393416	(006551-019999)	Hose, Vin Brd,0.75id, 53.0lg	2
11	369869	(006551-019999)	Valve, Check, Solution	1
12	08709	(006551-019999)	Nut, Hex, Lock, M8X1.25, NI	1
13	393417	(006551-019999)	Hose Vin Brd, 0.75id, 32.0lg	1
14	14734	(006551-019999)	Hose, Pvc, Brd, 0.75id 1.03od 02.60l	1
15	393419	(006551-019999)	Hose, Vin Brd, 1.0id, 12.0lg	1
16	11399	(006551-019999)	Clamp, Hose, Wormdrive, 0.81-1.50d	2
17	364620	(006551-019999)	Fitting, Plstc, Str, Bm16/Pm16	1
18	364712	(006551-019999)	Hose, Pvc, Brd, 0.75id 1.03od 00.80l	1
19	375426	(006551-019999)	Switch Assy, Press, 3 Inch, 8" Tube	1
20	375427	(006551-006708)	Switch Assy, Dual Press, 14" Tube	1
21	385750	(006551-006708)	Tube Glmnt, Sensor, Level, Soltn, 2.0l	1
22	57578	(006551-006708)	Hose, Vacuum, 0.16id X 08.0l	1
23	40607	(006551-006708)	Fitting, Brs, Str, Pm02/Bm03	1
24	369766	(006709-019999)	Harness, Sensor, Jumper	2
25	222822	(006709-019999)	Sensor, Level, Liquid, 30W [Mag]	2
26	375302	(006709-019999)	Strainer, Soltn, Switch Guard	2
27	365414	(006709-019999)	Plate, Align, Switch, Level, Liquid	2
28	1005375	(006551-019999)	Fitting, Plstc, Str, Bm06/Pm02, Nyl	1
29	1005564	(006551-019999)	Fitting, Plstc, E90, Bm06/Pm02, Nyl	1
30	1014930	(006551-019999)	Hose, Afmkt, Pvc, Clr 0.38ld 8Ft	1
31	43844	(006551-019999)	Clamp, Hose, Wormdrive, 0.25-0.62D	2
32	77336	(006551-019999)	Angle, Retainer, Spring	1
33	69234	(006551-019999)	Clamp, Cable, Stl, 1.00D X0.62W, 1H	1
34	16931	(006551-019999)	Screw, hex, m8X1.25X20, 8.8	1
35	32491	(006551-019999)	Washer, Flat, 0.31 Std	2

Fig. 6 - ES Tanks Group (020000-)

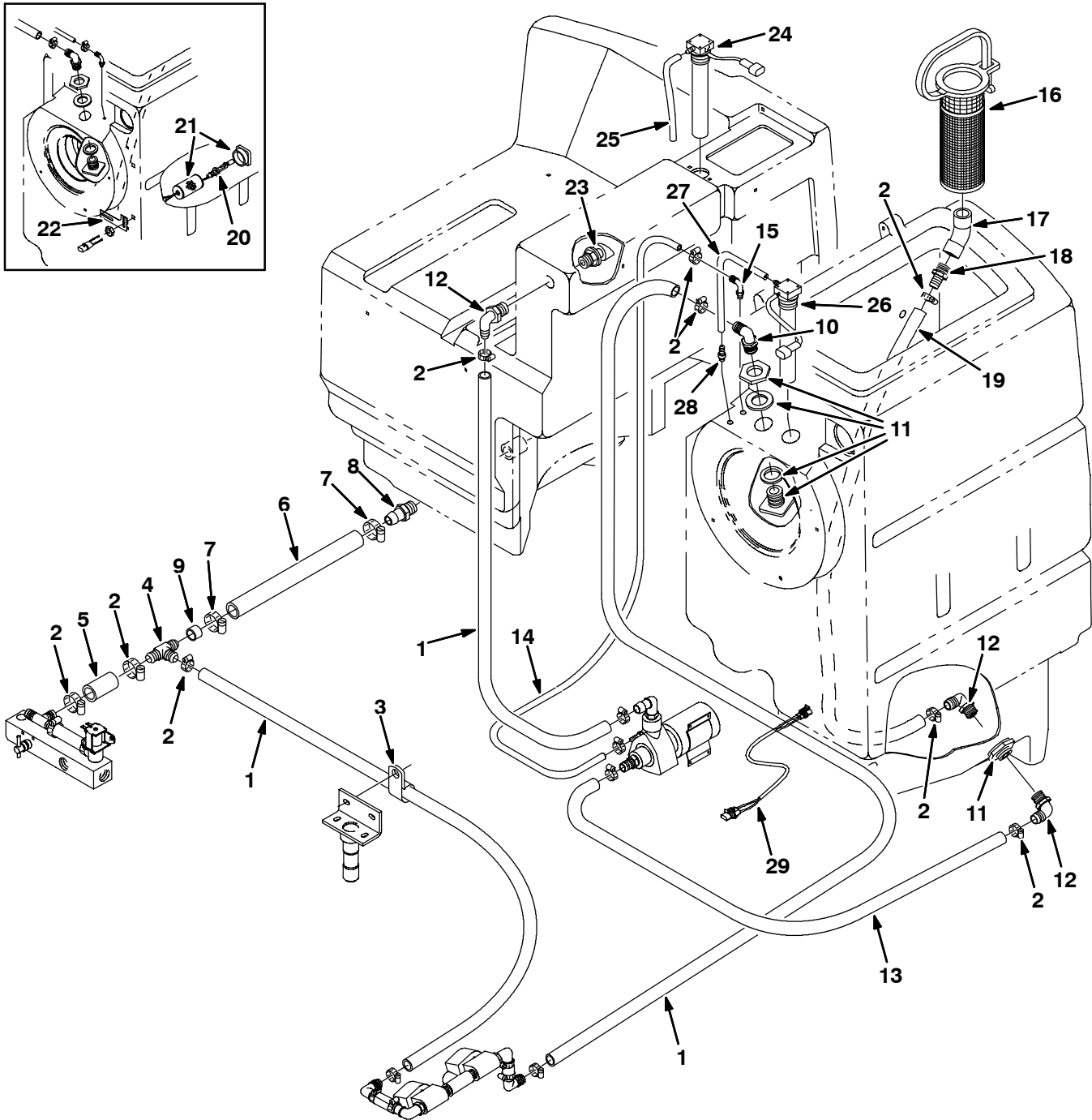


Fig. 6 - ES Tanks Group (020000-)

Ref.	Part No.	Serial Number	Description	Qty.
1	1015045	(020000-) Hose, Afmkt, Pvc, Brd 0.75id 8 Ft	1
2	63810	(020000-) Clamp, Hose, Wormdrive, 0.56-1.06d	9
3	69234	(020000-) Clamp, Cable, Stl, 1.00d X 0.62w, 1h	1
4	75119	(020000-) Fitting, Plstc, Tee, Bm12/Bm12/Bm12	1
5	1015048	(020000-) Hose, Afmkt, Pvc, Brd 0.75id 1 Ft	1
6	393419	(020000-) Hose, Vyl, Brd, 1.00id, 12.0l	1
7	11399	(020000-) Clamp, Hose, Wormdrive, 0.81-1.50d	2
8	364620	(020000-) Fitting, Plstc, Str, Bm16/Pm16	1
9	364712	(020000-) Hose, Pvc, Brd, 0.75id 1.03od 00.80l	1
10	14877	(020000-) Fitting, Plstc, E90, Bm12/Pm12	2
11	377349	(020000-) Fitting, Plstc, Bkhd, Pf12/Pf12	2
12	14877	(020000-) Fitting, Plstc, E90, Bm12/Pm12	3
13	1006410	(020000-) Hose, Afmkt, Pvc, Brd 0.75id 3 Ft	1
14	1014930	(020000-) Hose, Afmkt, Pvc, Clr 0.38id 8 Ft	1
15	1005564	(020000-) Fitting, Plstc, E90, Bm06/Pm02, Nyl	1
16	375424	(020000-) Strainer, Soltn, 20mesh Cyl 3.5d 7.5l	1
17	10575	(020000-) Fitting, Plstc, E45, Pf12/Pf12	1
18	79273-2	(020000-) Fitting, Plstc, Str, Bm12/Pm12	1
19	365191	(020000-) Hose, Pvc, Wir, 0.75id 0.94od 30.00l	1
20	222822	(020000-020038)) Sensor, Level, Liquid, 30w [Mag]	1
21	375302	(020000-020038)) Strainer, Switch, Grd Rep.By1023713	1
22	365414	(020000-020038)) Plate, Align, Switch, Level, Liq	1
23	369869	(020000-) Valve, Check, Soltn, 12pm	1
24	375426	(020000-) Switch, Press, 3.0" 02pf 08" Tube	1
25	57578	(020000-) Hose, Vacuum, 0.16id X 08.0l	1
26	1014934	(020039-) Switch Assy, Press, 3.0, 14.00, [8200]	1
27	13292	(020039-) Hose, Vacuum, 0.16id X 05.0l	1
28	40607	(020039-) Fitting, Brs, Str, Pm02/Bm03	1
29	391945	(020039-) Harness, Sensor, Jumper	1

Fig. 7 - ES Solution Tank Drain Group

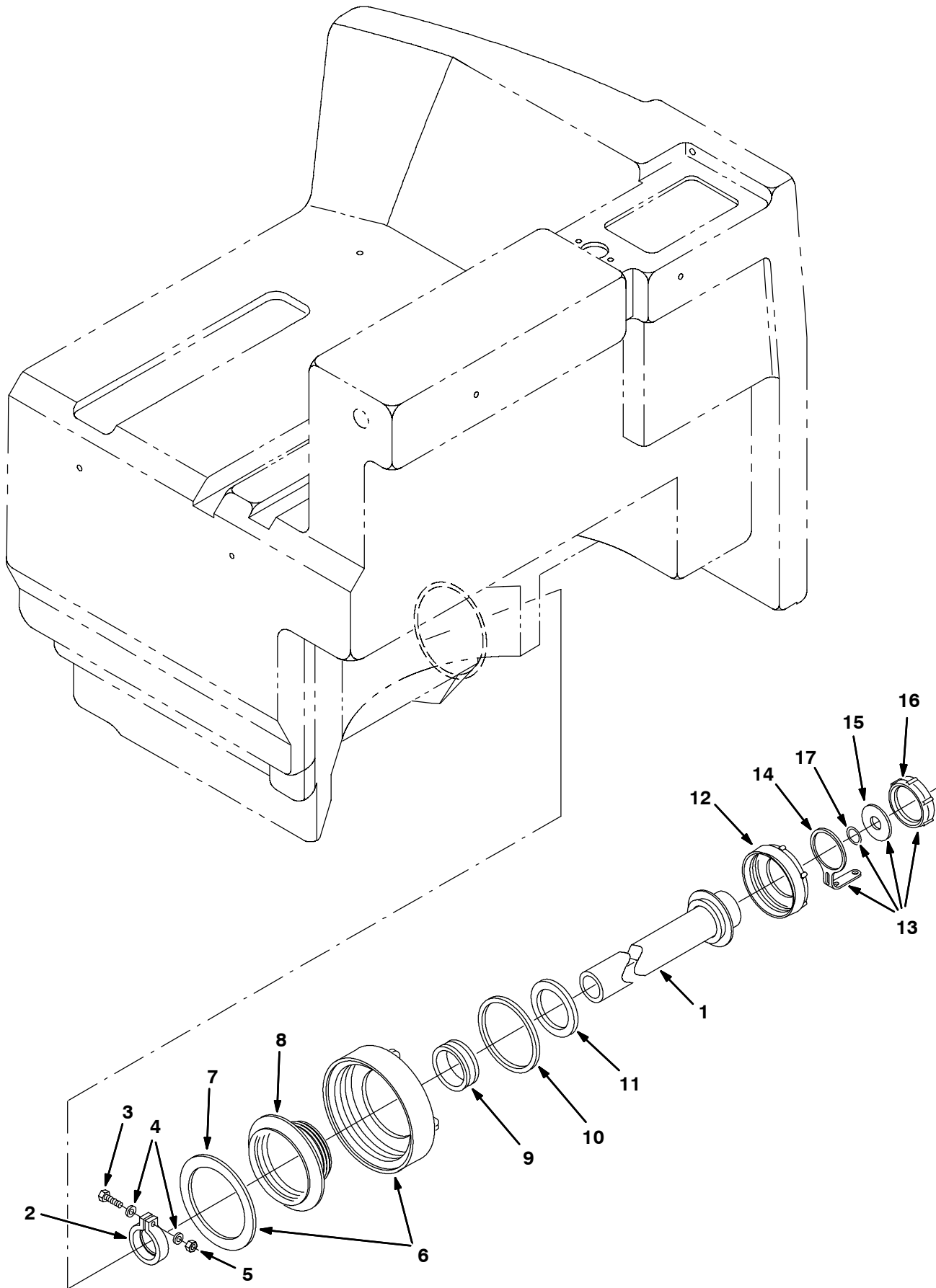


Fig. 7 - ES Solution Tank Drain Group

	Ref.	Part No.	Serial Number	Description	Qty.
▽		223533	(000000-) Hose Assy, Drain	1
▲	1	24174	(000000-) Hose, Drain	1
▲	2	41454	(000000-) Clamp, Hose	1
▲	3	12316	(000000-) Screw, Hex, M05-0.8 X 25, Ss	1
▲	4	01683	(000000-) Washer, Flat, #10 Ss	2
▲	5	09739	(000000-) Nut, Hex, Lock, M05-0.8, NI,Ss	1
▲▽	6	24358	(000000-) Cover Assy	1
▲▲	7	375200	(000000-) Gasket, Lid	1
▲	8	14864	(000000-) Cover, Insert	1
▲	9	41421	(000000-) Seal, Hose	1
▲	10	79320	(000000-) Gasket	1
▲	11	41451	(000000-) Gasket	1
▲	12	14880	(000000-) Cap, Drain Hose	1
▲▽	13	32501	(000000-) Kit, Cap, Drain	1
▲▲	14	32508	(000000-) Strap Cap Retainer	1
▲▲	15	32614	(000000-) Gasket	1
▲▲	16	32613	(000000-) Cap, Drain	1
▲▲	17	32669	(000000-) Ring, Retaining	1

Fig. 8 - Detergent Metering Kit (000000-019999)

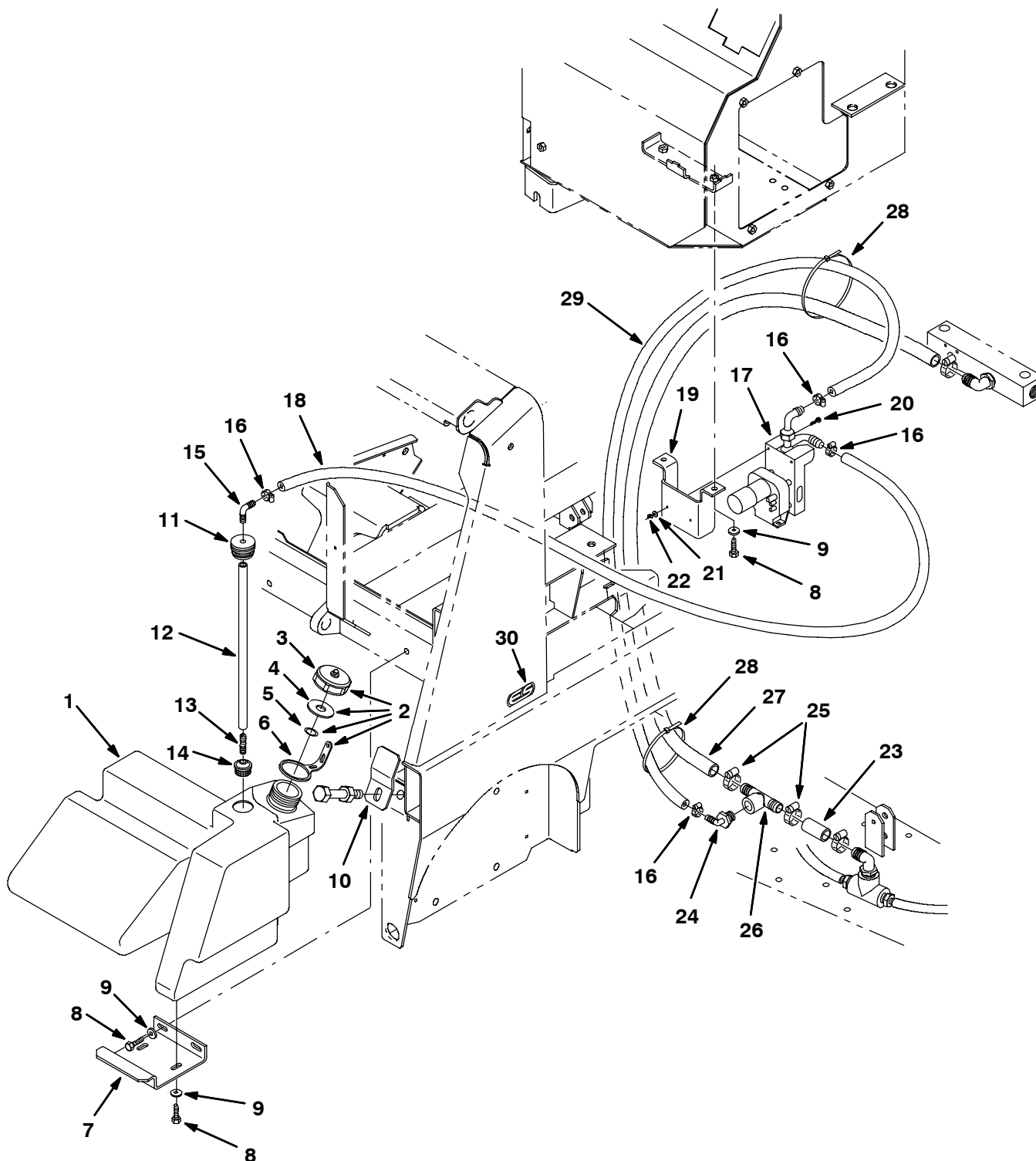


Fig. 8 - Detergent Metering Kit (000000-019999)

Ref.	Part No.	Serial Number	Description	Qty.
▽	365201	(000000-019999)	Metering Kit, Detergent	1
▲	1 364421	(000000-019999)	Tank, Detergent	1
▲▽	2 32501	(000000-019999)	Kit, Cap, Drain	1
▲▲	3 32613	(000000-019999)	Cap, Drain	1
▲▲	4 32614	(000000-019999)	Gasket	1
▲▲	5 32669	(000000-019999)	Ring, Retaining	1
▲▲	6 32508	(000000-019999)	Strap Cap Retainer	1
▲	7 364424	(000000-019999)	Bracket, Detergent Tank	1
▲	8 09740	(000000-019999)	Screw, Hex, M08-1.25 X 20, Ss	6
▲	9 01685	(000000-019999)	Washer, Flat, .31 Ss	6
▲	10 364666	(000000-019999)	Bracket, Tank Hold Down	1
▲	11 20944	(000000-019999)	Grommet	1
▲	12 365113	(000000-019999)	Hose, Vinyl, Clr Nylon Reinf	1
▲	13 20950	(000000-019999)	Fitting	1
▲	14 20952	(000000-019999)	Screen, Pump, Detergent	1
▲	15 20951	(000000-019999)	Fitting	1
▲	16 43844	(000000-019999)	Clamp, Wormdrive	4
▲	17 73260	(000000-019999)	Pump, Detergent Metering (See Breakdowns)	1
▲	18 364669	(000000-019999)	Hose, Vinyl, Clr Nylon Reinf	1
▲	19 364654	(000000-019999)	Bracket, Detergent Pump	1
▲	20 24265	(000000-019999)	Screw, Pan, M04-0.7 X 16, Ss	2
▲	21 41579	(000000-019999)	Washer, Flat, #08 Ss	4
▲	22 02850	(000000-019999)	Nut, Hex, Lock, M04-0.7, NI	2
▲	23 365150	(000000-019999)	Hose, Vinyl	1
▲	24 79484	(000000-019999)	Fitting, Plstc, Elbow	1
▲	25 11399	(000000-019999)	Clamp, Wormdrive	2
▲	26 365096	(000000-019999)	Ftg, Plastic Tee 16Bm,12Pf,16B	1
▲	27 365094	(000000-019999)	Hose, Special 3/4 X26.5Lg W/1.	1
▲	28 49266	(000000-019999)	Tie, Cable 1.75D Max 7.50Lg	2
▲	29 364668	(000000-019999)	Hose, Vinyl, Clr Nylon Reinf	1
	30 222604	(000000-019999)	Label, ES Logo, Off-White	2

Fig. 9 - Detergent Metering Kit (020000-)

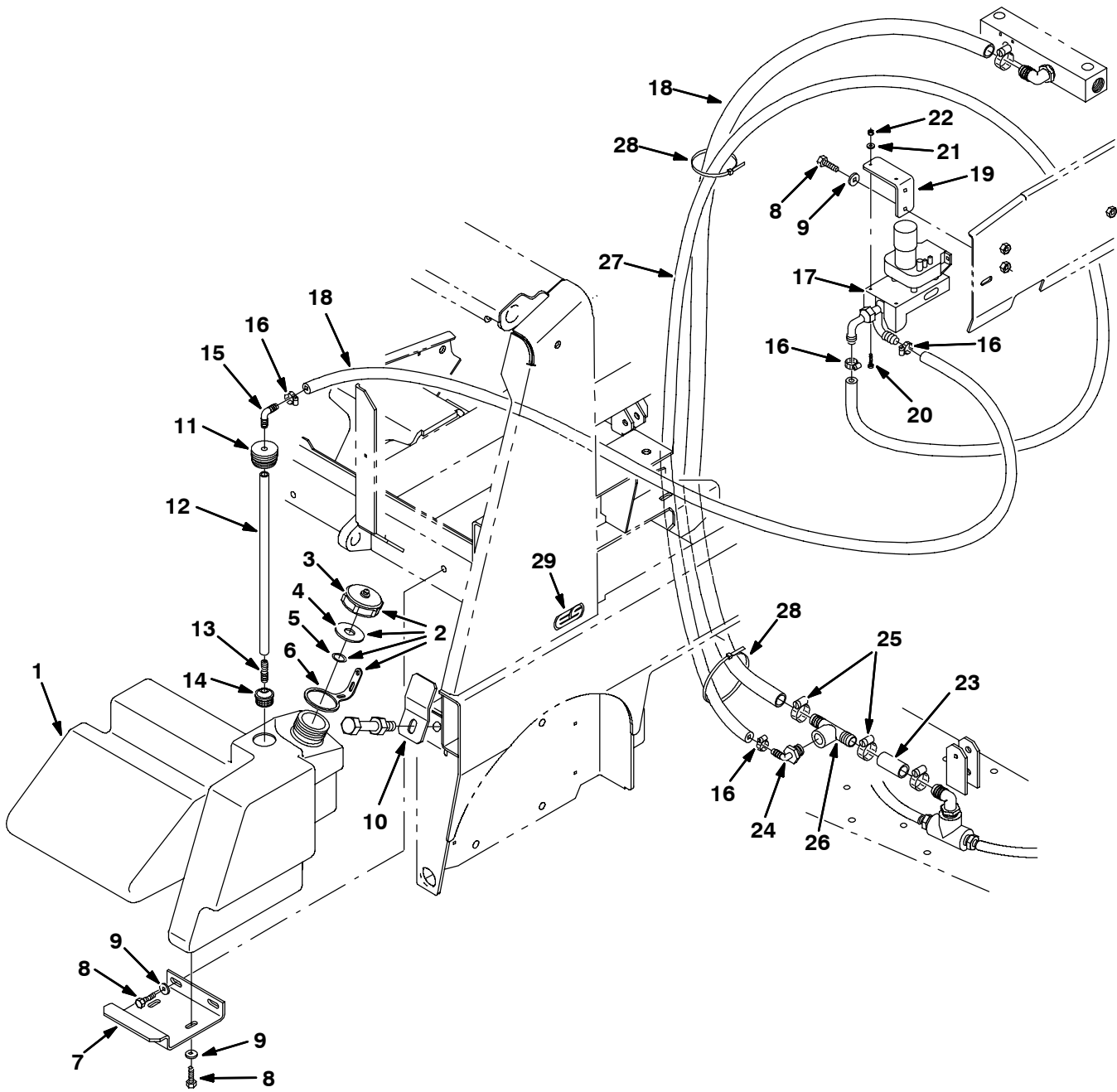


Fig. 9 - Detergent Metering Kit (020000-)

Ref.	Part No.	Serial Number	Description	Qty.
	1	364421	(020000-) Tank, Detergent	1
▽	2	32501	(020000-) Kit, Cap, Drain	1
▲	3	32613	(020000-) Cap, Drain	1
▲	4	32614	(020000-) Gasket	1
▲	5	32669	(020000-) Ring, Retaining	1
▲	6	32508	(020000-) Strap Cap Retainer	1
	7	364424	(020000-) Bracket, Detergent Tank	1
	8	09740	(020000-) Screw, Hex, M08-1.25 X 20, Ss	6
	9	01685	(020000-) Washer, Flat, .31 Ss	6
	10	364666	(020000-) Bracket, Tank Hold Down	1
	11	20944	(020000-) Grommet	1
	12	365113	(020000-) Hose, Vinyl, Clr Nylon Reinf	1
	13	20950	(020000-) Fitting	1
	14	20952	(020000-) Screen, Pump, Detergent	1
	15	20951	(020000-) Fitting	1
	16	43844	(020000-) Clamp, Wormdrive	4
	17	73260	(020000-) Pump, Detergent Metering (See Breakdowns)	1
	18	1014976	(020000-) Hose, Afmkt, Pvc, Brd 0.38ld 8Ft	2
	19	1016838	(020000-) Bracket, Mtg, Pump	1
	20	24265	(020000-) Screw, Pan, M04-0.7 X 16, Ss	2
	21	41579	(020000-) Washer, Flat, #08 Ss	4
	22	02850	(020000-) Nut, Hex, Lock, M04-0.7, NI	2
	23	365150	(020000-) Hose, Vinyl	1
	24	79484	(020000-) Fitting, Plstc, Elbow	1
	25	11399	(020000-) Clamp, Wormdrive	2
	26	365096	(020000-) Ftg, Plastic Tee 16Bm,12Pf,16B	1
	27	365094	(020000-) Hose, Special 3/4 X26.5Lg W/1.	1
	28	49266	(020000-) Tie, Cable 1.75D Max 7.50Lg	2
	30	222604	(020000-) Label, ES Logo, Off-White	2

Fig. 10 - Revolving Light Kit

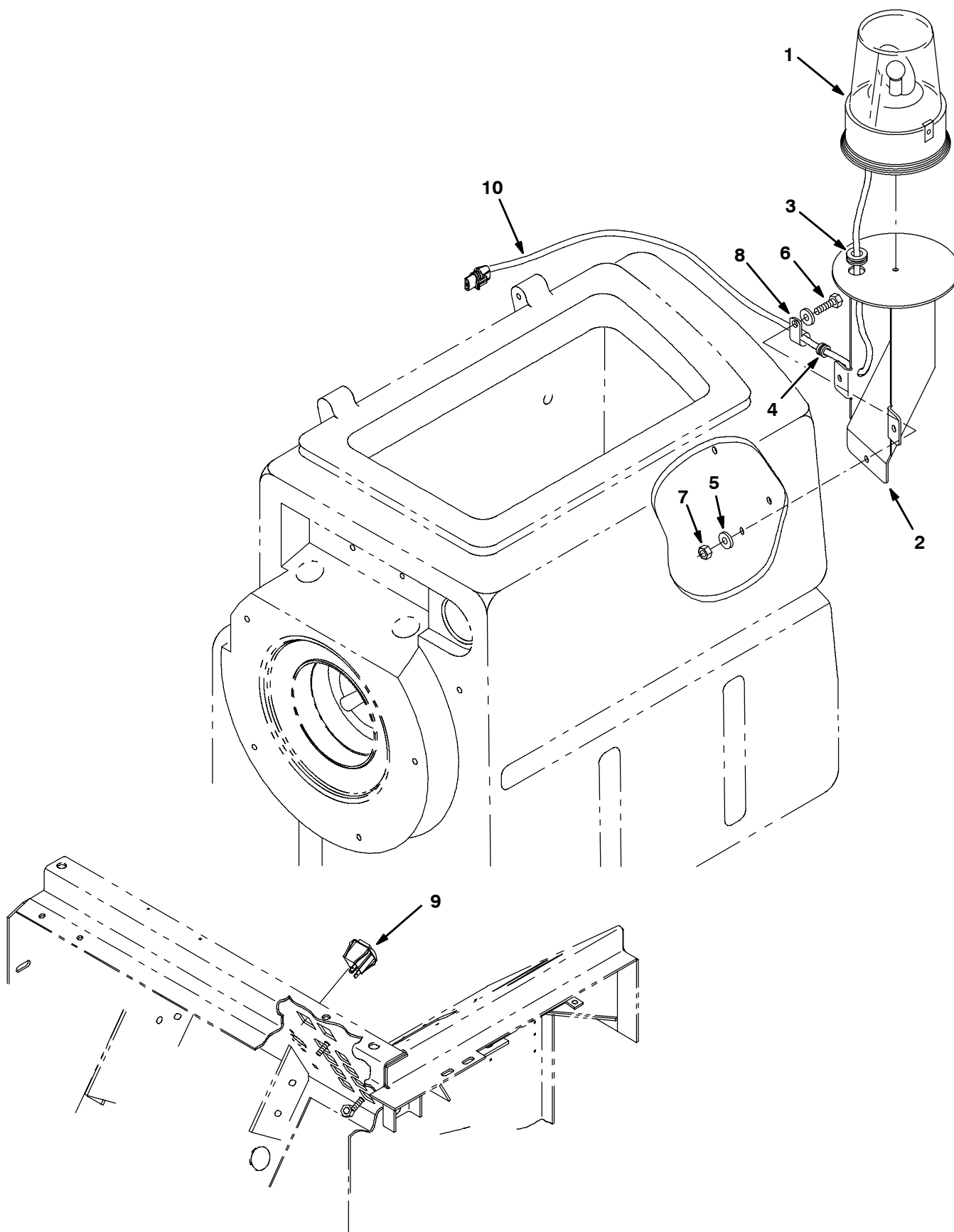


Fig. 10 - Revolving Light Kit

	Ref.	Part No.	Serial Number	Description	Qty.
▽		364881	(000000-) Light Kit, Rev, 8200 8210	1
▲▽	1	361975	(000000-) Light, Rev, Amber, 12V	1
▲▲		44681-1	(000000-) Lens,Rev.Light,Amber	1
▲▲		45779	(000000-) Lamp	1
▲	2	364884	(000000-) Channel Wldt, Revolve Light	1
▲	3	10632-9	(000000-) Grommet, Rubber	1
▲	4	10632-12	(000000-) Grommet, Rubber	1
▲	5	32087	(000000-) Washer, Sealing	3
▲	6	09011	(000000-) Screw, Hex, M08-1.25 X 30, Ss	3
▲	7	08713	(000000-) Nut, Hex, Lock, M08-1.25,NI,Ss	3
▲	8	46236	(000000-) Clamp, Cable	1
▲	9	360520	(000000-) Switch, Rocker, Spdt, 3Pos	1
▲	10	364887	(000000-) Harness, Light, Revolve, Tank	1
		44681	(000000-) Lens, Revolving Light, Red	1
		44681-2	(000000-) Lens, Revolving Light, Blue	1

Fig. 11 - Revolving Light Kit, Overhead Guard

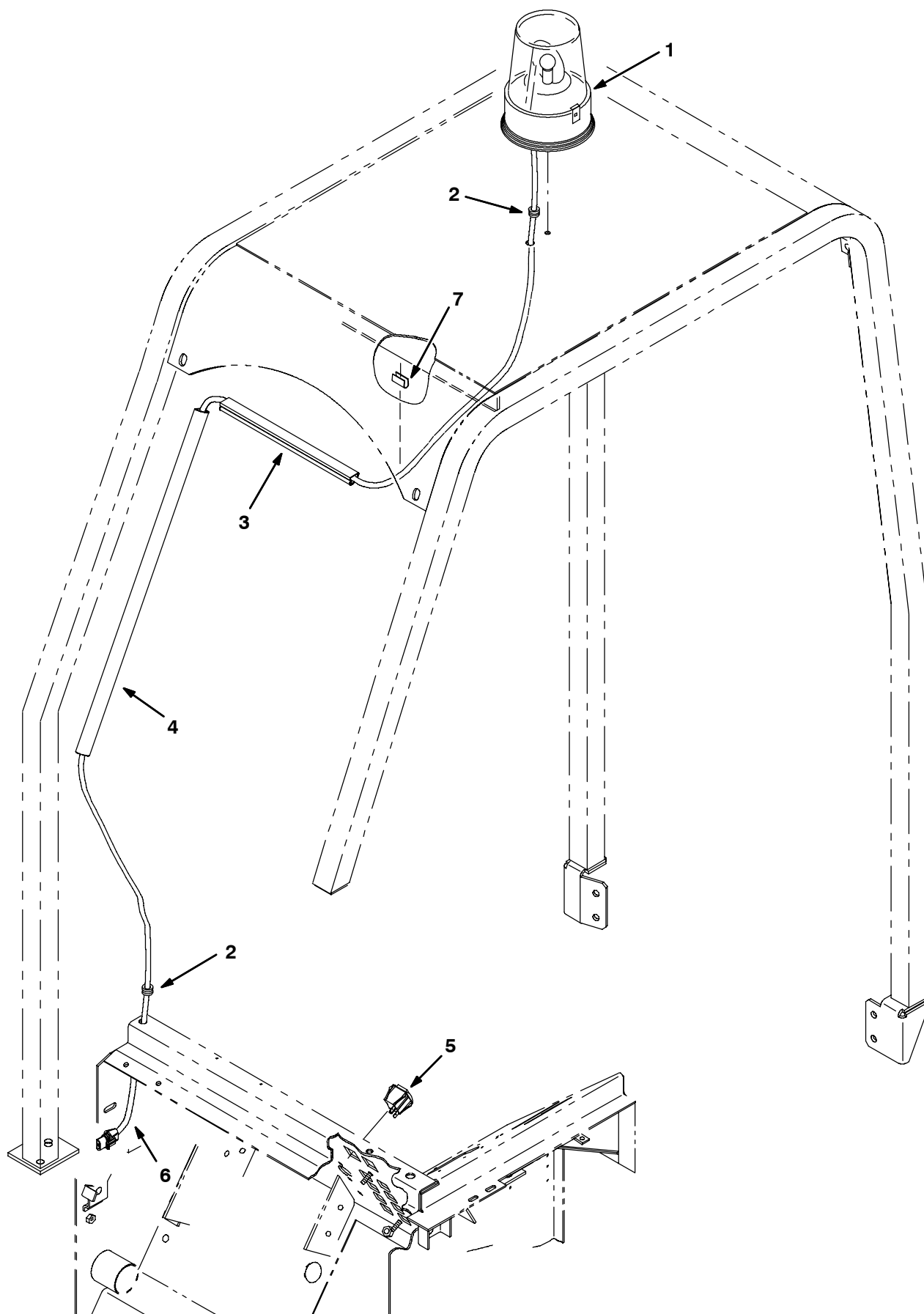


Fig. 11 - Revolving Light Kit, Overhead Guard

	Ref.	Part No.	Serial Number	Description	Qty.
▽		365036	(000000-) Light Kit, Rev. Ohg	1
▲▽	1	361975	(000000-) Light, Rev, Amber, 12V	1
▲▲		44681-1	(000000-) Lens,Rev.Light,Amber	1
▲▲		45779	(000000-) Lamp	1
▲▲	2	10632-12	(000000-) Grommet, Rubber	2
▲▲	3	365032	(000000-) Duct, Vinyl	1
▲	4	365033	(000000-) Duct, Vinyl	1
▲	5	360520	(000000-) Switch, Rocker, Spdt, 3Pos	1
▲	6	364183	(000000-) Harness, Revolving Light, 8200	1
▲	7	361160	(000000-) Molding, Rigid	1
		44681	(000000-) Lens, Revolving Light, Red	1
		44681-2	(000000-) Lens, Revolving Light, Blue	1

Fig. 12 - Overhead Guard Kit

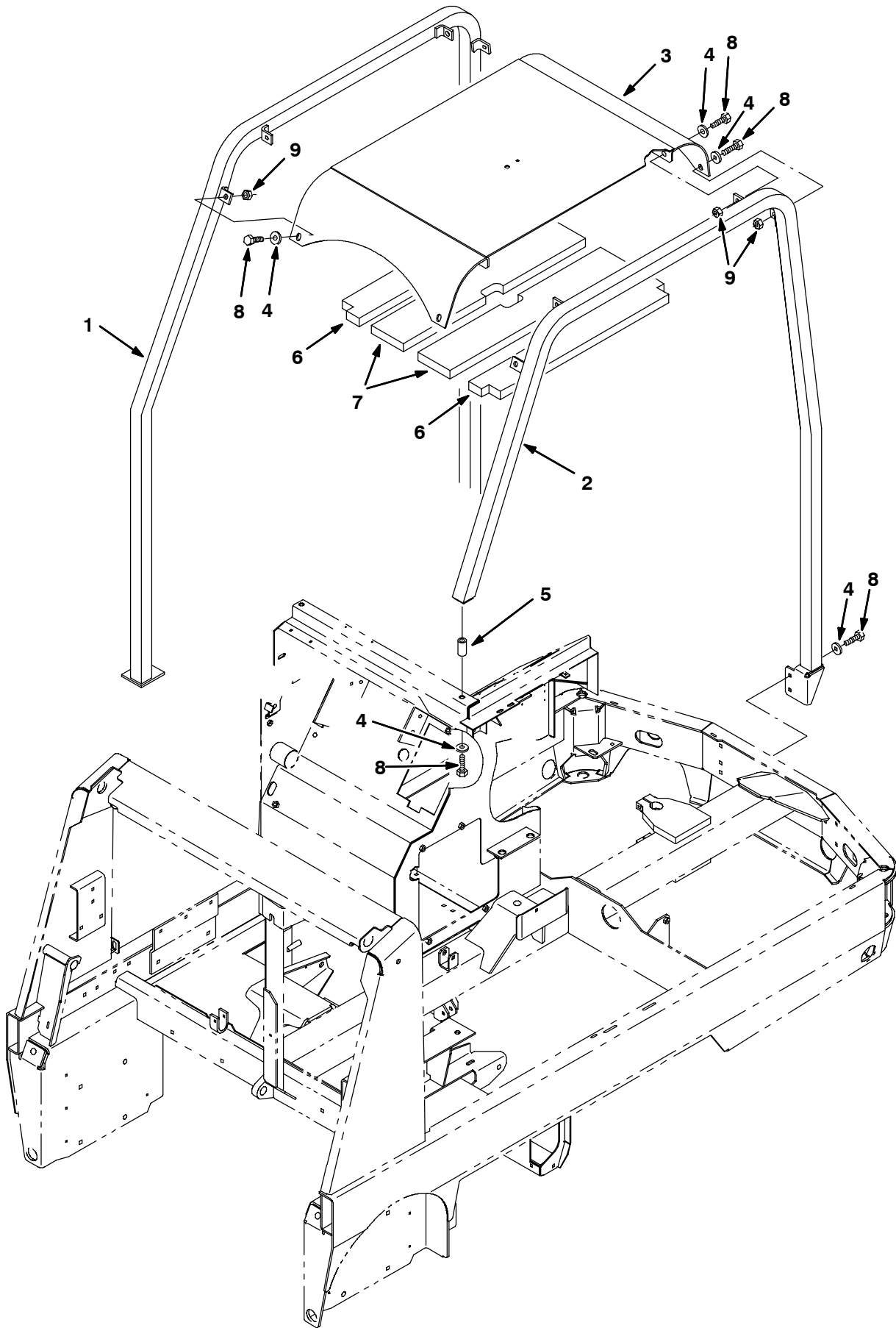


Fig. 12 - Overhead Guard Kit

	Ref.	Part No.	Serial Number	Description	Qty.
▽		364573	(000000-) Guard Kit, Overhead	1
▲	1	365203	(000000-) Tube Wldt, Leg, Ohg, Rh	1
▲	2	365204	(000000-) Tube Wldt, Leg, Ohg, Lh	1
▲	3	364570	(000000-) Guard Wldt, Ohg, Top	1
▲	4	32492	(000000-) Washer, Flat, 0.38 Std	21
▲	5	364953	(000000-) Sleeve, .88D, .50B, 1.63L	1
▲	6	365034	(000000-) Insulation, Soundfoam	2
▲	7	365035	(000000-) Insulation, Soundfoam	2
▲	8	03192	(000000-) Screw, Hex, M10 X 1.5 X 30, 8.8	13
▲	9	41430	(000000-) Nut, Hex, Lock, M10 X 1.5, NI	8

Fig. 13 - Heavy Duty Bumper Kit

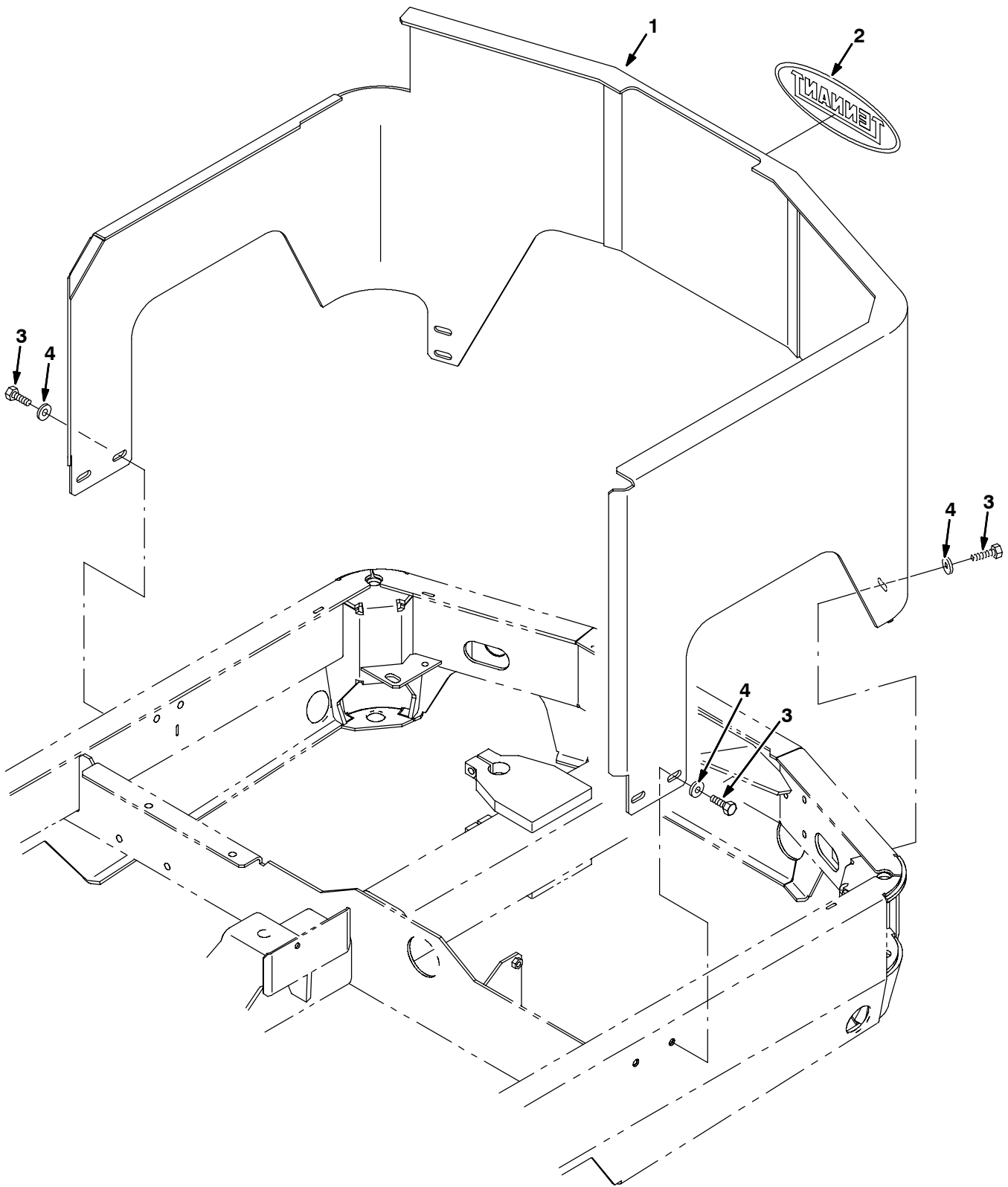


Fig. 13 - Heavy Duty Bumper Kit

	Ref.	Part No.	Serial Number	Description	Qty.
▽		364680	(000000-) Bumper Kit, Heavy Duty	1
▲	1	364630	(000000-) Bumper Wldt, Heavy Duty	1
▲	2	86877	(000000-) Label, Logo	1
▲	3	39283	(000000-) Screw, Hex, M10 X 1.5 X 25, 8.8	8
▲	4	32492	(000000-) Washer, Flat, 0.38 Std	8

Fig. 14 - Foot Rest Kit

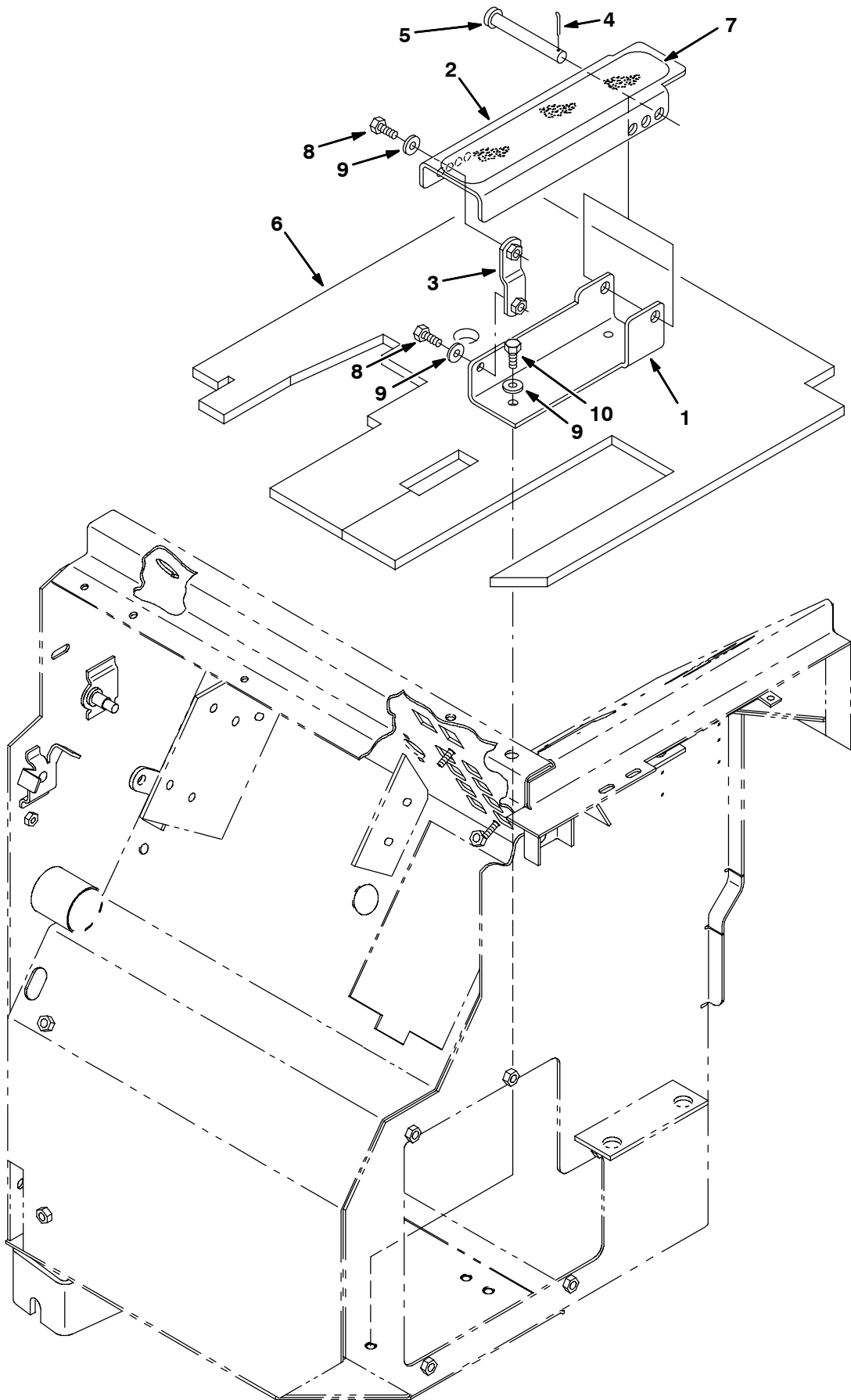


Fig. 14 - Foot Rest Kit

	Ref.	Part No.	Serial Number	Description	Qty.
▽		364921	(000000-) Foot Rest, Kit, 8200 Line	1
▲	1	364705	(000000-) Bracket, Foot Rest	1
▲	2	364706	(000000-) Plate, Foot Rest	1
▲	3	364707	(000000-) Plate, Support, Foot Rest	1
▲	4	08182	(000000-) Pin, Cotter, .125 X 1.00	1
▲	5	67290	(000000-) Pin, Clevis	1
▲	6	365053	(000000-) Floormat, W/Footrest	1
▲	7	82839	(000000-) Pad	1
▲	8	12273	(000000-) Screw, Hex, M8 X 1.25 X 20, Ss, NI	2
▲	9	01685	(000000-) Washer, Flat, 0.31 Ss	4
▲	10	09740	(000000-) Screw, Hex, M8 X 1.25 X 20, Ss	2

Fig. 15 - Edge Scrub Head Lift Group, Max Pro 1000 (Two-Brush)

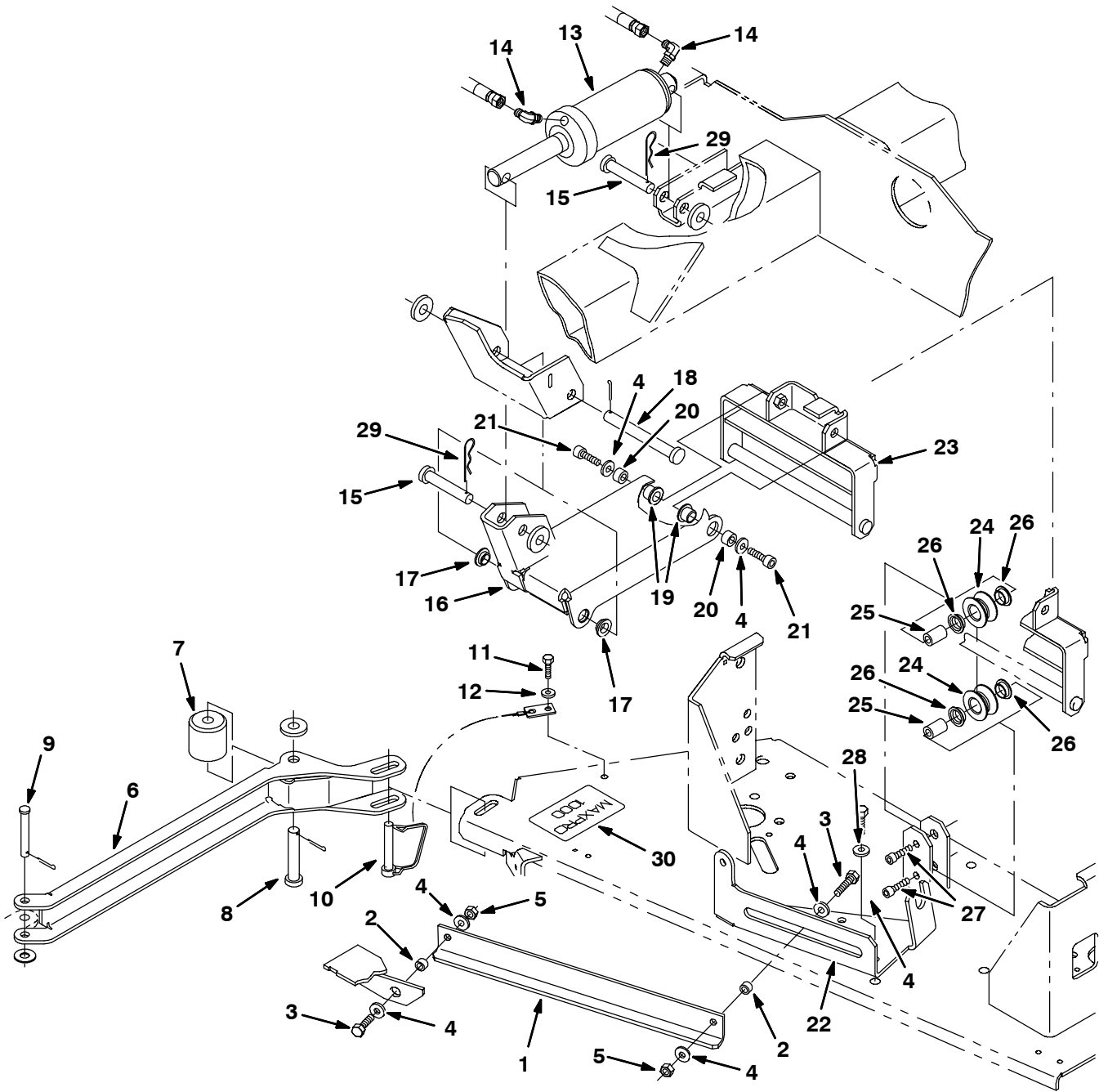


Fig. 15 - Edge Scrub Head Lift Group, Max Pro 1000 (Two-Brush)

Ref.	Part No.	Serial Number	Description	Qty.
1	364447	(000000-) Arm, Stop, Kick-In, Scrub Hd	1
2	222516	(000000-) Sleeve	2
3	09011	(000000-) Screw, Hex, M08-1.25 X 30, Ss	2
4	01685	(000000-) Washer, Flat, .31 Ss	9
5	08713	(000000-) Nut, Hex, Lock, M08-1.25,NI,Ss	2
6	364086	(000000-) Guard, Kick-In, Scrubhead	1
7	72946	(000000-) Roller	1
8	06279	(000000-) Pin, Clevis	1
9	365180	(000000-) Pin, Clevis	1
10	365030	(000000-) Pin, Snapper, .375 X 2.25	1
11	24199	(000000-) Screw, Hex, M05-0.8 X 16, Ss	1
12	01683	(000000-) Washer, Flat, #10 Ss	1
13	54096	(000000-) Cylinder, Hyd	1
14	77097	(000000-) Fitting, Hyd, Elbow	2
15	51534	(000000-) Pin, Clevis	2
16	364624	(000000-) Wldt, Lift Arm, Scrubhd, 2-Br	1
17	15648	(000000-) Bearing, Flange	2
18	51225	(000000-) Pin, Clevis	1
19	04843	(000000-) Bearing, Flange	2
20	222556	(000000-) Sleeve	2
21	374174	(000000-) Screw, Soc, M08 X 1.25 X 20, 12.9	2
22	364448	(000000-) Brkt, Stop, Kick-In, Scrub Hd	1
23	364432	(000000-) Lift Rail, Scrub Head	1
24	363120	(000000-) Roller	2
25	222277	(000000-) Sleeve	2
26	04843	(000000-) Bearing, Flange	4
27	374190	(000000-) Screw, Scoc, M8X1.25X45, 12.9	2
28	09010	(000000-) Screw, Hex, M08-1.25 X 25, Ss	3
29	44906	(000000-) Pin, Hair Cotter	2
30	365156	(000000-) Label Set, Maxpro	1

OPTIONS

Fig. 16 - Edge Scrub Head Linkage Group, Max Pro 1000 (Two-Brush)

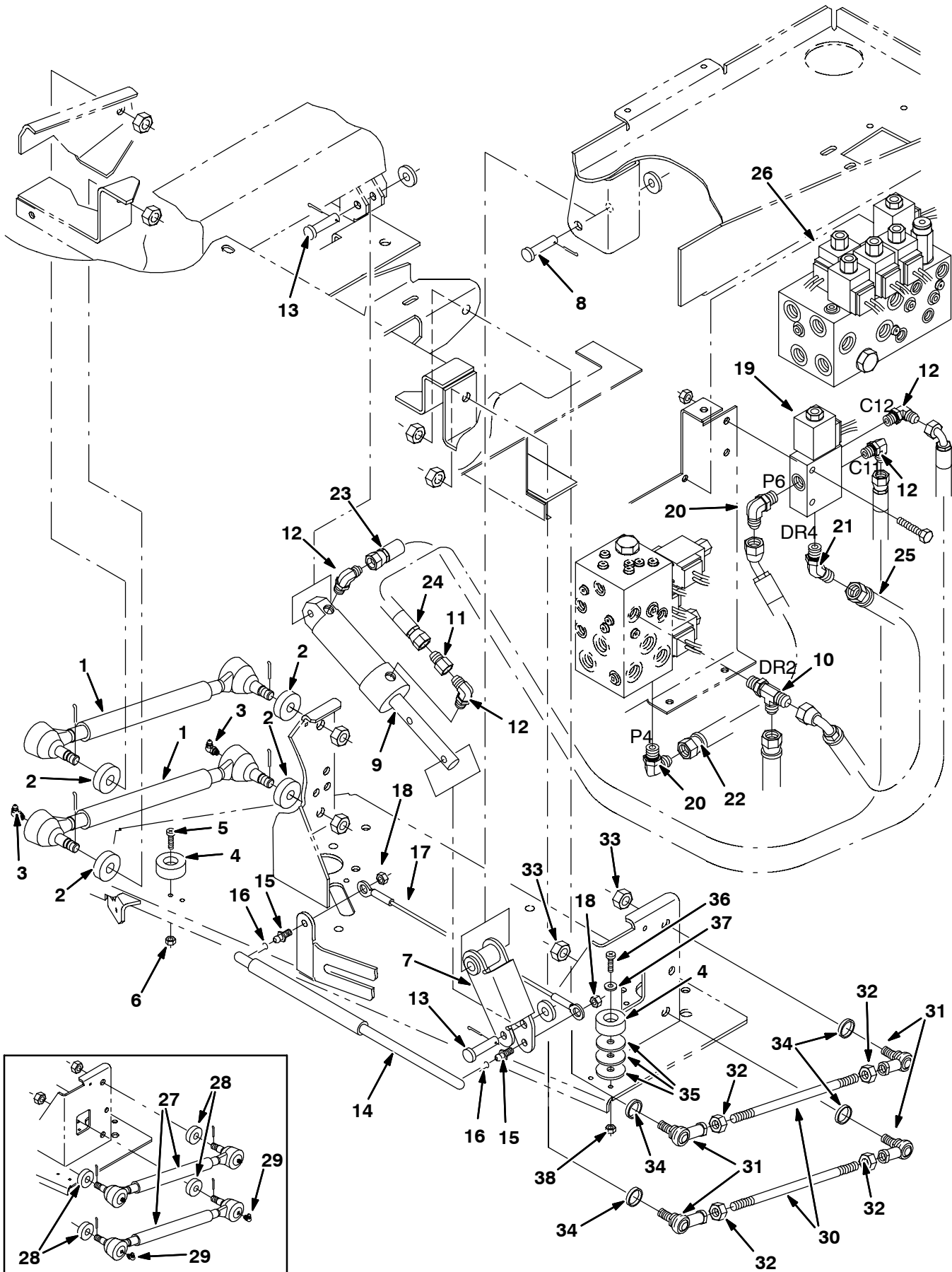


Fig. 16 - Edge Scrub Head Linkage Group, Max Pro 1000 (Two-Brush)

Ref.	Part No.	Serial Number	Description	Qty.
1	364022	(000000-) Link Wldt, Head Drag	2
2	14524	(000000-) Spacer	4
3	09718	(000000-) Fitting, Grease	2
4	364614	(000000-) Bumper, Neoprene	2
5	24196	(000000-) Screw, Pan, M05-0.8 X 20, Ss	1
6	09739	(000000-) Nut, Hex, Lock, M05-0.8, NI,Ss	1
7	364408	(000000-) Arm Wldt	1
8	23683	(000000-) Pin, Clevis	1
9	379030	(000000-) Cylinder, Hyd	1
10	76316	(000000-) Fitting, Hyd, Tee	1
11	16455	(000000-) Fitting, Hyd, Restrictor	1
12	77097	(000000-) Fitting, Hyd, Elbow	4
13	94877	(000000-) Pin, Clevis	2
14	364858	(000000-) Spring, Gas 56Lb	1
15	58494	(000000-) Stud, Ball, Gas Spring	2
16	64595	(000000-) Clip, Safety	2
17	364404	(000000-) Cable, Scrub Head 15.5L	1
18	14725	(000000-) Nut, Retainer, .31-18	2
19	364116	(000000-) Valve, Hyd, Solution Control (See Breakdowns)	1
20	56820	(000000-) Fitting, Hyd, Elbow	2
21	47522	(000000-) Fitting, Hyd, Elbow	1
22	361086	(000000-) Hose, Hyd	1
23	77308	(000000-) Hose-Hyd Med04 Jf/J9	1
24	57964	(000000-) Hose, Hyd	1
25	55763	(000000-) Hose, Hyd	1
26	365105	(000000-) Valve Assy, 8210 (See Breakdowns)	1
27	364022	(000000-019999) Link Wldt, Head Drag	2
28	14524	(000000-019999) Spacer	4
29	09718	(000000-019999) Fitting, Grease	2
30	1017185	(020000-) Rod, Thrd, 2 End M10X1.5 12.2L	1
31	05686	(020000-) Rod-End, M10X1.5Rh Fem M10X1.5 Stud	1
32	32716	(020000-) Nut, Hex, Jam, M10X1.5, Ss	1
33	07787	(020000-) Nut, Hex, Std, M10X1.5, Ss	1
34	1017445	(020000-) Tube, Rnd, Alm, 00.5.D 00.43B 00.2L	1
35	379829	(020000-) Washer, Flat, 0.34B 1.5D .12,, Stl, PI	3
36	07805	(020000-) Screw, Hex, M6X1.0X35, Ss	1
37	01684	(020000-) Washer, Flat, 0.25 Ss	1
38	08712	(020000-) Nut, Hex, Lock, M6X1.0, Ss, NI	1

Fig. 17 - Scrub Head Lift Group, Max Pro 1200 (Three-Brush)

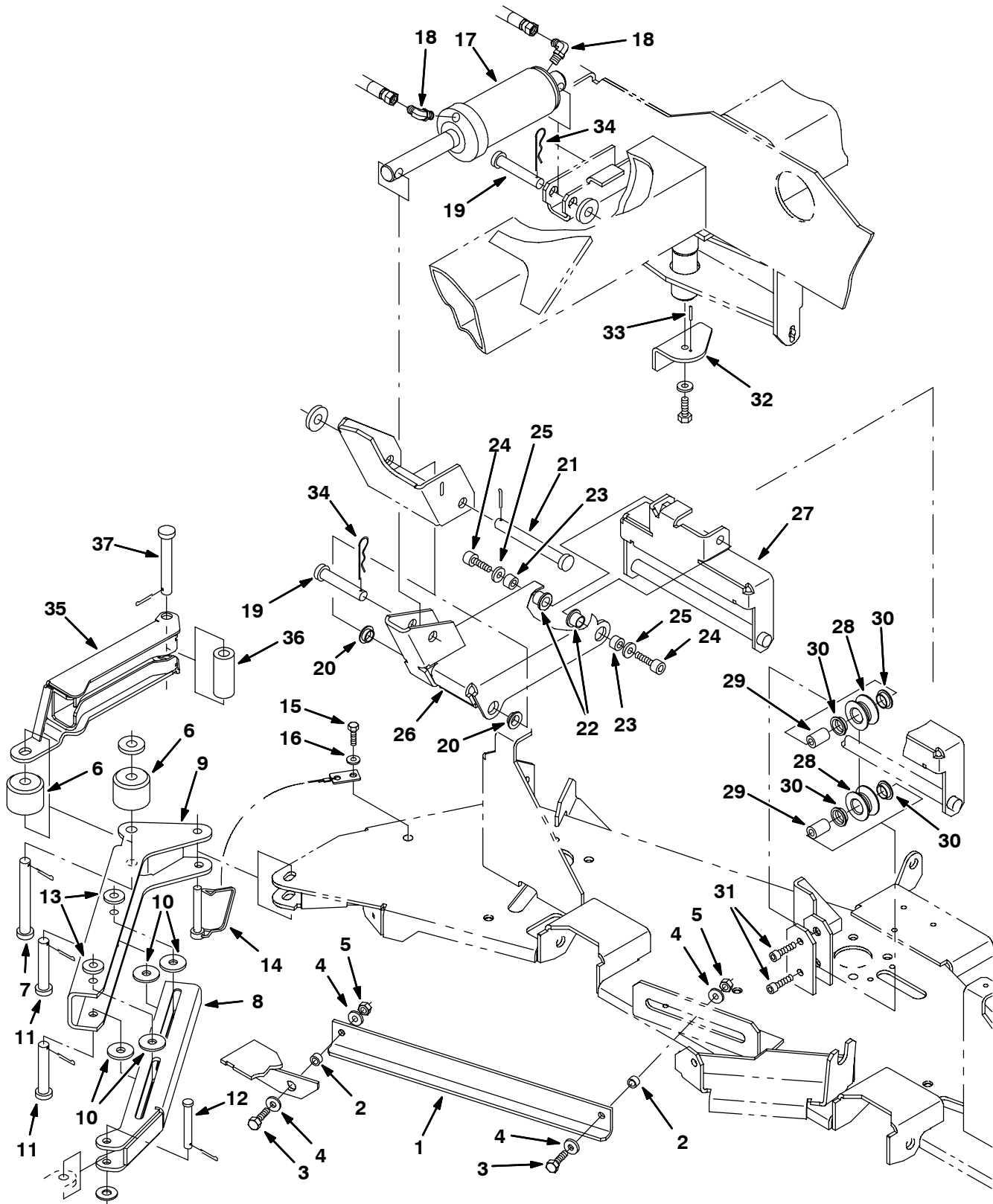


Fig. 17 - Scrub Head Lift Group, Max Pro 1200 (Three-Brush)

Ref.	Part No.	Serial Number	Description	Qty.
1	364447	(000000-) Arm, Stop, Kick-in	1
2	222460	(000000-) Sleeve	2
3	09011	(000000-) Screw, Hex, M08-1.25 X 30, Ss	2
4	01685	(000000-) Washer, Flat, .31 Ss	4
5	08713	(000000-) Nut, Hex, Lock, M08-1.25,NI,Ss	2
6	365234	(000000-) Roller, 1.75D X 1.22L	2
7	67290	(000000-) Pin, Clevis	1
8	364737	(000000-) Channel, Inner, Guard, 3-Br-Hd	1
9	364738	(000000-) Channel, Outer, Guard, 3-Br-Hd	1
10	364749	(000000-) Washer, .406B 1.25D .12Poly	4
11	365180	(000000-) Pin, Clevis	2
12	17461	(000000-) Pin, Clevis	1
13	01686	(000000-) Washer, Flat, .38 Ss	2
14	365030	(000000-) Pin, Snapper, .375 X 2.25	1
15	24199	(000000-) Screw, Hex, M05-0.8 X 16, Ss	1
16	01683	(000000-) Washer, Flat, #10 Ss	1
17	54096	(000000-) Cylinder, Hyd	1
18	77097	(000000-) Fitting, Hyd, Elbow	2
19	51534	(000000-) Pin, Clevis	2
20	15648	(000000-) Bearing, Flange	2
21	51225	(000000-) Pin, Clevis	1
22	04843	(000000-) Bearing, Flange	2
23	222556	(000000-) Sleeve	2
24	374174	(000000-) Screw, Soc, M08 X 1.25 X 20, 12.9	2
25	01685	(000000-) Washer, Flat, .31 Ss	2
26	364625	(000000-) Wldt, Lift Arm, Scrubhd, 3-Br	1
27	364432	(000000-) Lift Rail, Scrub Head	1
28	363120	(000000-) Roller	2
29	222277	(000000-) Sleeve	2
30	04843	(000000-) Bearing, Flange	4
31	374190	(000000-) Screw, Scoc, M8X1.25X45, 12.9	2
32	364734	(000000-) Angle, Up-Stop, Rear, 3-Br-Hd	1
33	20021	(000000-) Pin	1
34	44906	(000000-) Pin, Hair Cotter	2
35	365231	(000000-) Guard, Squeegee, RH	1
36	365239	(000000-) Roller, .975D X .506B X 2.28L	1
37	23683	(000000-) Pin, Clevis	1

Fig. 18 - Scrub Head Group, Max Pro 1200 (Three-Brush)

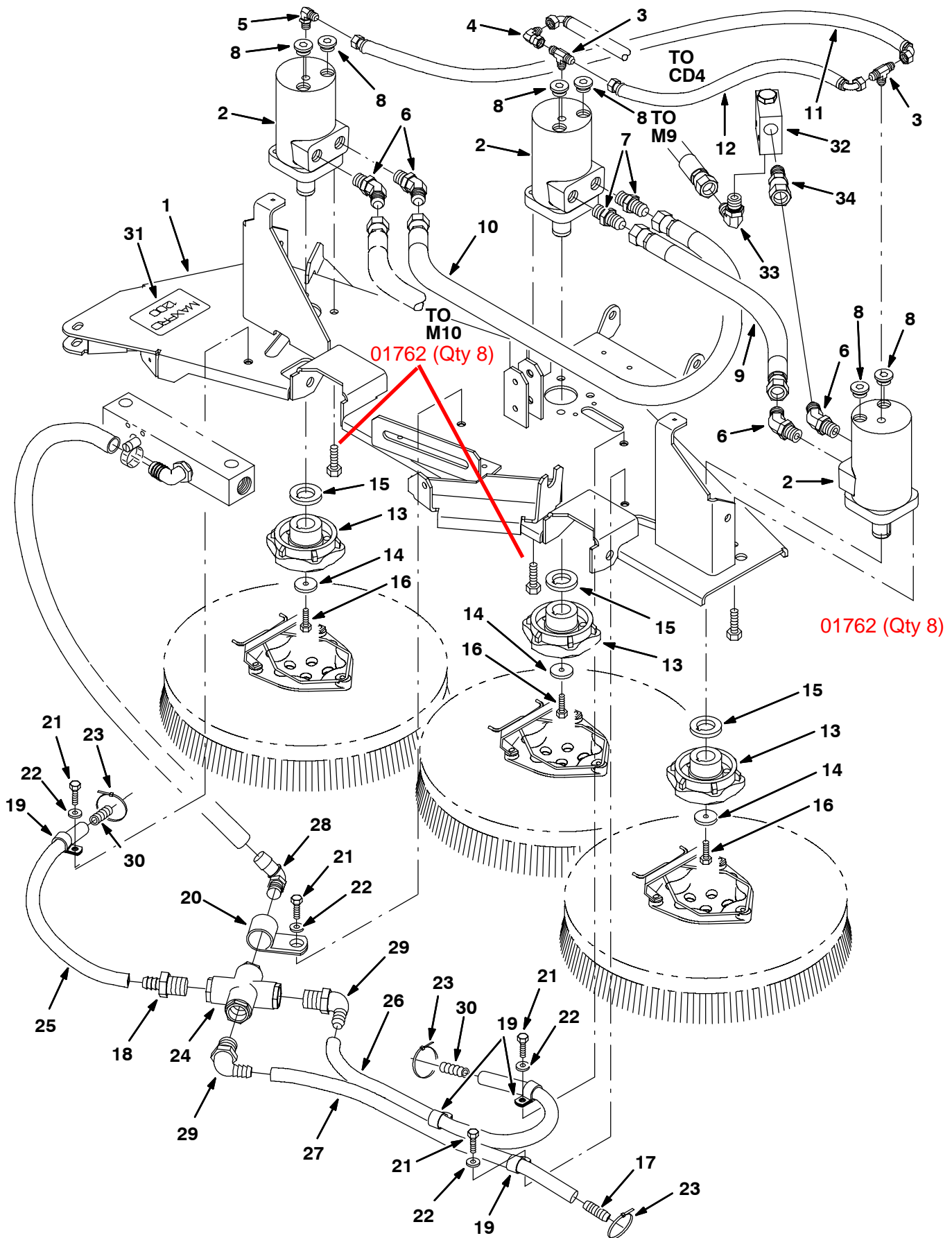


Fig. 18 - Scrub Head Group, Max Pro 1200 (Three-Brush)

Ref.	Part No.	Serial Number	Description	Qty.
1	364505	(000000-) Frame Wldt, Scrubhd, 3-Br-Hd	1
2	364105	(000000-) Motor, Hyd Gear (See Breakdown)	3
3	31599	(000000-) Fitting, Hyd, Tee	2
4	39210	(000000-) Fitting, Hyd, Elbow	1
5	77097	(000000-) Fitting, Hyd, Elbow	1
6	47513	(000000-) Fitting, Hyd, Elbow	4
7	56692	(000000-) Fitting, Hyd, Str	2
8	13907	(000000-) Plug	6
9	365008	(000000-) Hose-Hyd Ar 04 Jf/Jf	1
10	365009	(000000-) Hose-Hyd Ar 04 Jf/Jf	1
11	02205	(000000-) Hose, Hyd	1
12	34420	(000000-) Hose, Hyd	1
13	72625	(000000-) Hub, Brush	3
14	19191	(000000-) Spacer	3
15	25611	(000000-) Spacer	3
16	01698	(000000-) Screw, Hex, .25-20 X 1.00, Ss	3
17	364631	(000000-) Ftg, Plastic, Str, 1/2In	1
18	365095	(000000-) Ftg, Plastic Str 10Bm X 12Pm	1
19	67767	(000000-) Clamp, Cable	4
20	86328	(000000-) Clamp	1
21	12273	(000000-) Screw, Hex, M08-1.25 X 20, Ss	5
22	01685	(000000-) Washer, Flat, .31 Ss	5
23	49266	(000000-) Tie, Cable 1.75D Max 7.50Lg	3
24	365149	(000000-) Manifold, 3 Head .75-Npt	1
25	12685	(000000-) Hose, Vinyl, Clear	1
26	49398	(000000-) Hose, Clear	1
27	45487-6	(000000-) Hose, Vinyl, Clear	1
28	18595	(000000-) Fitting, Plstc, Elbow	1
29	73468	(000000-) Fitting, Plstc, Elbow	2
30	365164	(000000-) Ftg, Str, .62	2
31	365156	(000000-) Label Set, Maxpro	1
32	364120	(000000-) Valve, Check	1
33	44868	(000000-) Fitting, Hyd, Elbow	1
34	35255	(000000-) Fitting, Hyd, Str	1

Fig. 19 - Scrub Head Linkage Group, Max Pro 1200 (Three-Brush)

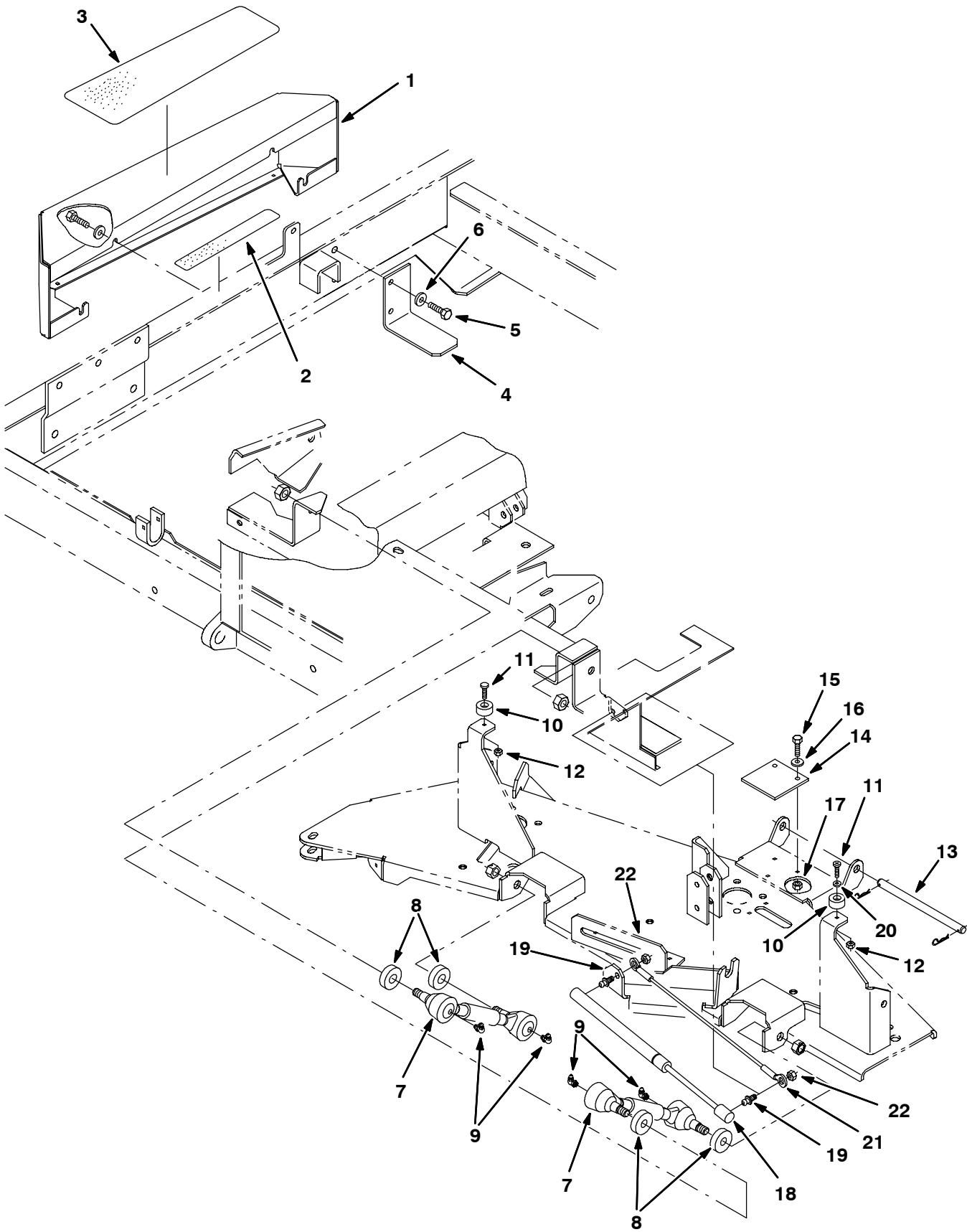


Fig. 19 - Scrub Head Linkage Group, Max Pro 1200 (Three-Brush)

Ref.	Part No.	Serial Number	Description	Qty.
1	364751	(000000-) Bumper, Side, Mp1200, Hyd	1
2	86798	(000000-) Pad	1
3	364835	(000000-) Tread, Floor, 4.8 X 15.0	1
4	364735	(000000-) Angle, Up-Stop, Rgt, 3-Br-Hd	1
5	09740	(000000-) Screw, Hex, M08-1.25 X 20, Ss	2
6	01685	(000000-) Washer, Flat, .31 Ss	2
7	363113	(000000-) Link Wldt, Head, Drag	2
8	14524	(000000-) Spacer	4
9	09718	(000000-) Fitting, Grease	4
10	82921	(000000-) Bumper, Rubber	2
11	24196	(000000-) Screw, Pan, M05-0.8 X 20, Ss	2
12	09739	(000000-) Nut, Hex, Lock, M05-0.8, NI,Ss	2
13	364736	(000000-) Pin, Headless, .50 Dia X 7.50	1
14	364420	(000000-) Plate, Wear, Uhmw	1
15	08716	(000000-) Screw, Hex, M06-1.0 X 20, Ss	2
16	01684	(000000-) Washer, Flat, .25 Ss	2
17	08712	(000000-) Nut, Hex, Lock, M06-1.0, NI,Ss	2
18	364858	(000000-) Spring, Gas 56Lb	1
19	58494	(000000-) Stud, Ball, Gas Spring	2
20	01683	(000000-) Washer, Ss	2
21	364404	(000000-) Cable, Scrub Head 15.5L	1
22	14725	(000000-) Nut, Retainer, .31-18	2

OPTIONS

Fig. 20 - Squeegee Group, Max Pro 1200 (Three-Brush), Right Side

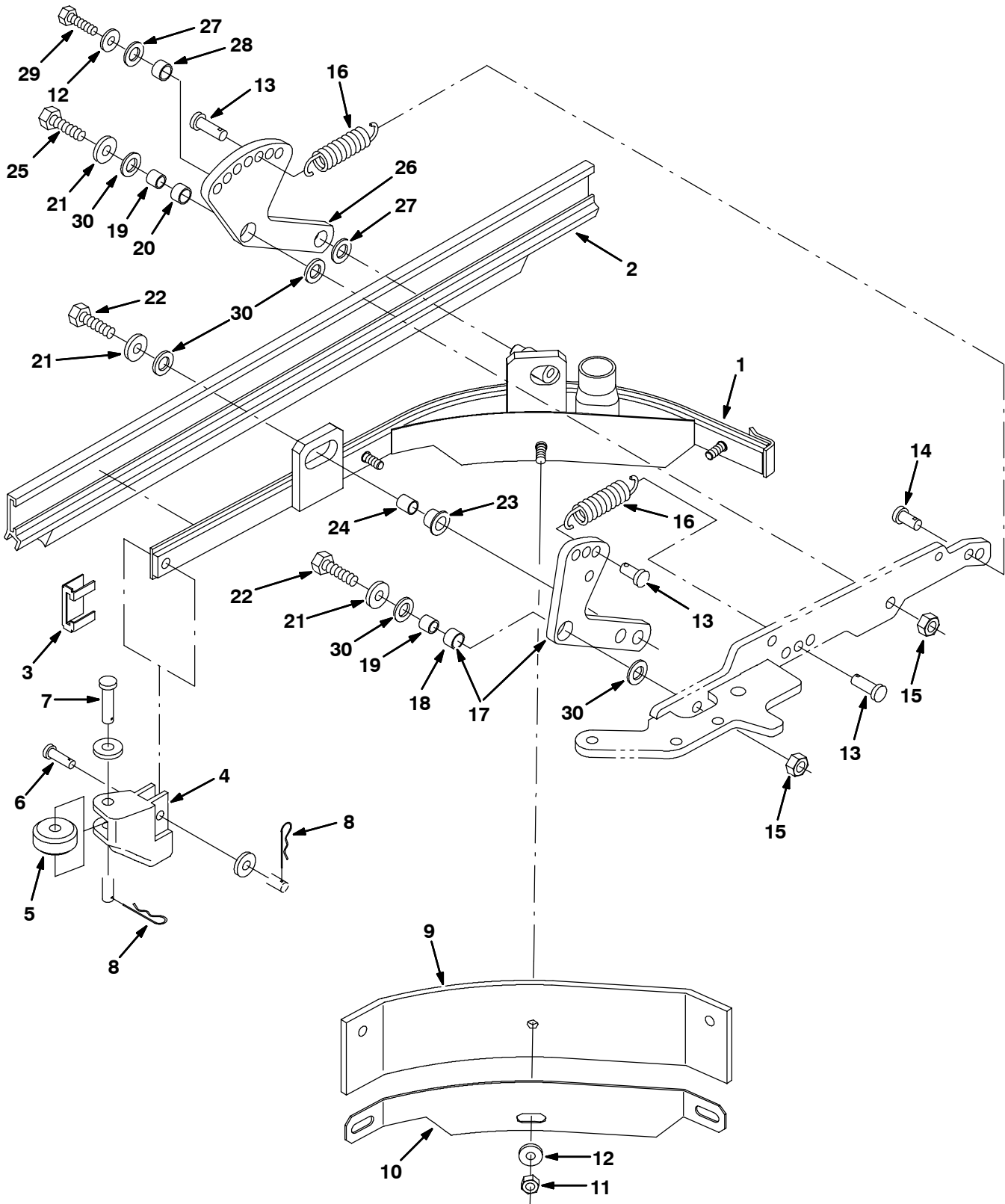


Fig. 20 - Squeegee Group, Max Pro 1200 (Three-Brush), Right Side

Ref.	Part No.	Serial Number	Description	Qty.	
1	365148	(000000-) Frame Assy, Squeegee 8210	1	
2	364655	(000000-) Blade Assy, Side Squeegee, Rh	1	
2	365395	(000000-) Blade Assy, Side Squeegee, Rh Urethane (1200)	1	
3	86759	(000000-) Retainer, Squeegee	1	
4	77333	(000000-) Guide	1	
5	77331	(000000-) Roller	1	
6	69582	(000000-) Pin, Clevis	1	
7	29558	(000000-) Pin, Clevis	1	
8	08085	(000000-) Pin, Hair Cotter	2	
9	364663	(000000-) Blade, Inner, Rh	1	
10	364664	(000000-) Retainer, Rh	1	
11	41437	(000000-) Nut, Hex, Lock, .31-18, NI, Ss	3	
12	01685	(000000-) Washer, Flat, .31 Ss	4	
13	86240	(000000-) Pin, Clevis	3	
14	41305	(000000-) Pin, Clevis	1	
15	08714	(000000-) Nut, Hex, Lock, M10-1.5, NI,Ss	2	
16	87816	(000000-) Spring, Extension	2	
▽	17	393406	(000000-) Arm Assembly, Squeegee, Front	1
▲	18	71607	(000000-) Bushing, Sleeve, 0.63b 0.72d 0.38l	1
19	71608	(000000-) Sleeve	2	
20	71607	(000000-) Bearing	1	
21	01686	(000000-) Washer, Flat, .38 Ss	3	
22	09740	(000000-) Screw, Hex, M08-1.25 X 20, Ss	2	
23	25730	(000000-) Bearing, Flange	1	
24	25736AM	(000000-) Tube, 0.62d 0.41b 0.6l, Ss, Cham	1	
25	77347	(000000-) Screw, Hex, M10-1.5 X 35, Ss	1	
26	364223	(000000-) Arm, Squeegee, Rear	1	
27	86860	(000000-) Bearing, Thrust	2	
28	64173AM	(000000-) Bushing, Sleeve, 0.50b 0.59d 0.38l, Stl	1	
29	09011	(000000-) Screw, Hex, M08-1.25 X 30, Ss	1	
30	64425	(000000-) Washer	5	

Fig. 21 - Squeegee Pivot Group, Max Pro 1200 (Three-Brush), Right Side

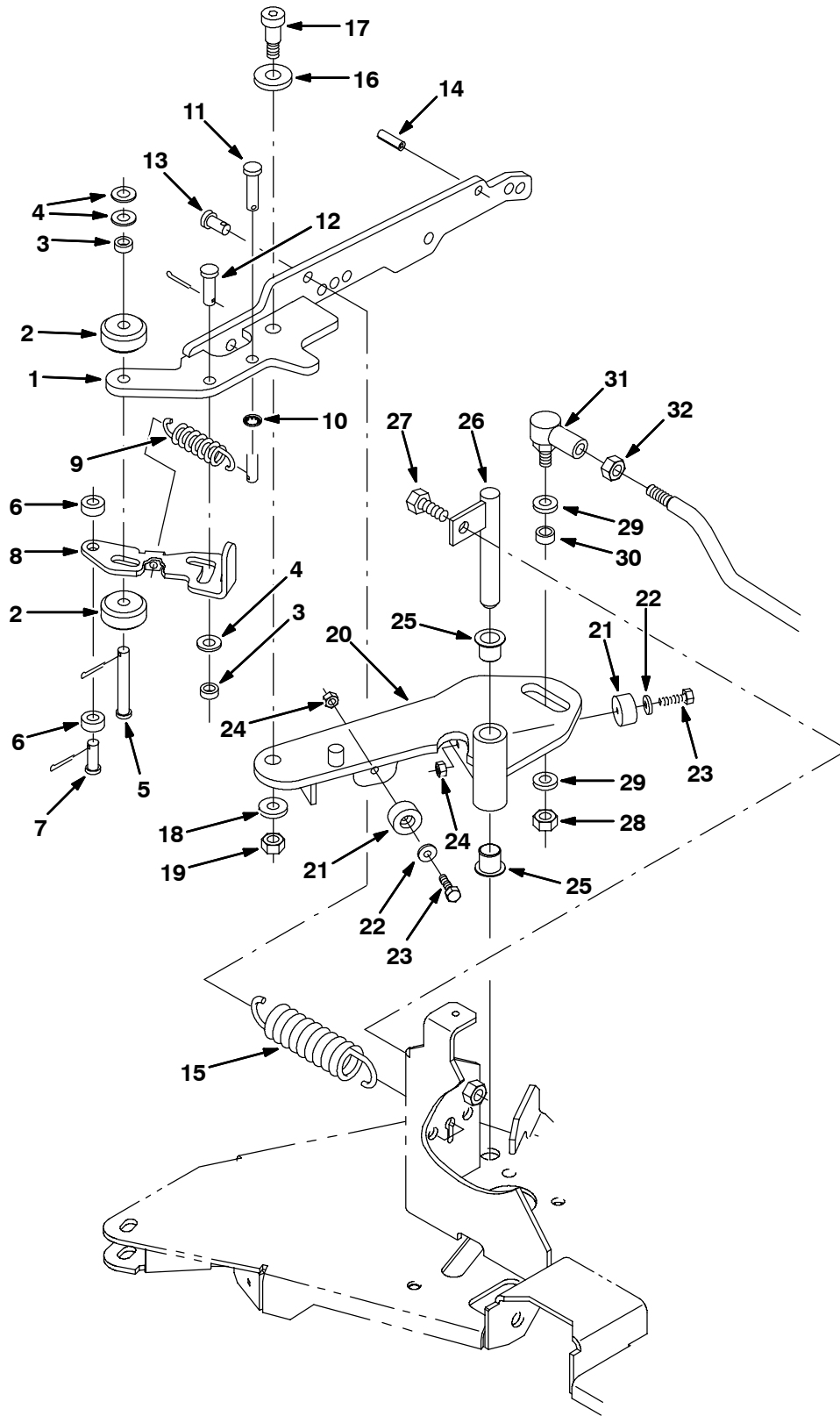


Fig. 21 - Squeegee Pivot Group, Max Pro 1200 (Three-Brush), Right Side

Ref.	Part No.	Serial Number	Description	Qty.
1	364649	(000000-) Arm Wldt, Rh	1
2	77331	(000000-) Roller	2
3	12955	(000000-) Sleeve	2
4	01685	(000000-) Washer, Flat, .31 Ss	3
5	365180	(000000-) Pin, Clevis, 0.37 Dia.X 2.50 L	1
6	365233	(000000-) Spacer, 0.75D 0.38B 0.31L Nyl	2
7	76653	(000000-) Pin, Clevis	1
8	365232	(000000-) Plate, Catch, Sqge Guard, 3-Hd	1
9	87816	(000000-) Spring, Extension	1
10	29217	(000000-) Retainer, Ring	1
11	86241	(000000-) Pin, Clevis	1
12	86240	(000000-) Pin, Clevis	1
13	41305	(000000-) Pin, Clevis	1
14	23999-8	(000000-) Pin	1
15	50864	(000000-) Spring, Tension	1
16	41619	(000000-) Washer, Flat, .50 Ss	1
17	33123	(000000-) Bolt, Shld .50D X 0.75, .38-16	1
18	01686	(000000-) Washer, Flat, .38 Ss	1
19	36643	(000000-) Nut, Hex, Lock, .38-16, NI	1
20	364648	(000000-) Pivot Wldt, Rh	1
21	82921	(000000-) Bumper, Rubber	2
22	01683	(000000-) Washer, Flat, #10 Ss	2
23	24196	(000000-) Screw, Pan, M05-0.8 X 20, Ss	2
24	09739	(000000-) Nut, Hex, Lock, M05-0.8, NI,Ss	2
25	72777	(000000-) Bushing, Flanged	2
26	364413	(000000-) Pin Wldt	1
27	10959	(000000-) Screw, Hex, M10-1.5 X 20, Ss	1
28	08714	(000000-) Nut, Hex, Lock, M10-1.5, NI,Ss	1
29	32492	(000000-) Washer, Flat, .38 Hard	2
30	45416-1	(000000-) Sleeve	1
31	05686	(000000-) Rod-End	1
32	32716	(000000-) Nut, Hex, Jam, M10 X 1.5, Ss	1

Fig. 22 - Squeegee Group, Max Pro 1200 (Three-Brush), Left Side

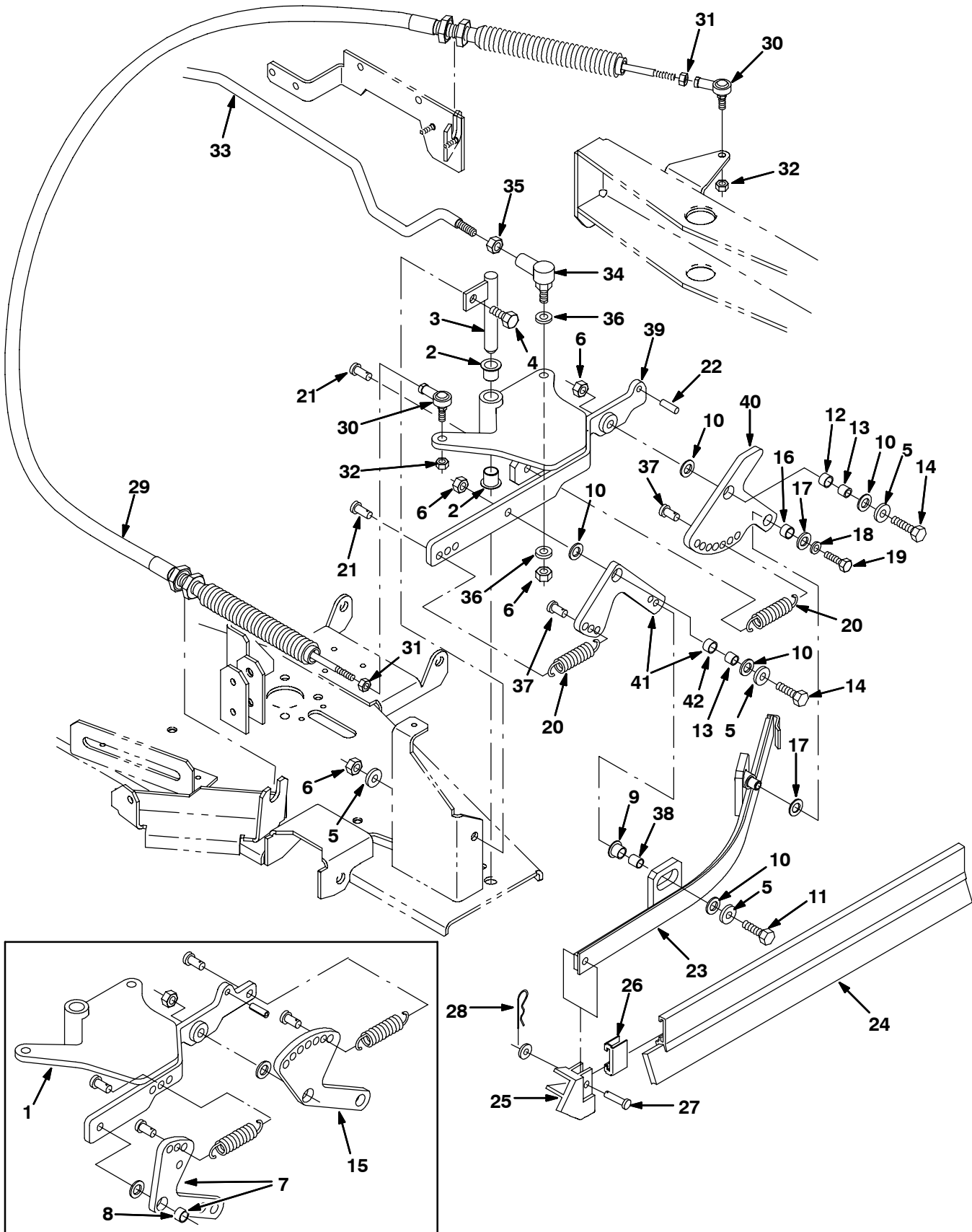


Fig. 22 - Squeegee Group, Max Pro 1200 (Three-Brush), Left Side

Ref.	Part No.	Serial Number	Description	Qty.	
1	364643	(000000-019999)	Pivot Wldt, Lh, Mp	1	
2	72777	(000000-	Bushing, Flanged	2	
3	364413	(000000-	Pin Wldt	1	
4	09028	(000000-	Screw, Hex, M10-1.5 X 25, Ss	1	
5	01686	(000000-	Washer, Flat, .38 Ss	4	
6	08714	(000000-	Nut, Hex, Lock, M10-1.5, NI,Ss	4	
▽	7	393406	(000000-019999)	Arm Assembly, Squeegee, Front	1
▲	8	71607	(000000-019999)	Bushing, Sleeve, 0.63b 0.72d 0.38l	1
9	25730	(000000-	Bearing, Flange	1	
10	64425	(000000-	Washer	5	
11	12317	(000000-	Screw, Hex, M10-1.5 X 30, Ss	1	
12	71607	(000000-	Bearing	1	
13	71608	(000000-	Sleeve	2	
14	77347	(000000-	Screw, Hex, M10-1.5 X 35, Ss	2	
15	364223	(000000-019999)	Arm, Squeegee, Rear	1	
16	64173AM	(000000-	Bushing, Sleeve, 0.50b 0.59d 0.38l, Stl	1	
17	86860	(000000-	Bearing, Thrust	2	
18	01685	(000000-	Washer, Flat, .31 Ss	1	
19	09740	(000000-	Screw, Hex, M08-1.25 X 20, Ss	1	
20	87816	(000000-	Spring, Extension	2	
21	41305	(000000-	Pin, Clevis	2	
22	23999-8	(000000-	Pin	1	
23	364650	(000000-	Frame Wldt, Lh, Mp	1	
24	365130	(000000-	Squeegee, Side, Lh	1	
24	365396	(000000-	Squeegee, Side, Lh Urethane (1200)	1	
25	393410	(000000-	Guide	1	
26	86759	(000000-	Retainer, Squeegee	1	
27	69582	(000000-	Pin, Clevis	1	
28	08085	(000000-	Pin, Hair Cotter	1	
29	72837	(000000-	Cable, Push-Pull	1	
30	36466	(000000-	Rod-End	2	
31	01715	(000000-	Nut, Hex, Std, .31-24	2	
32	32960	(000000-	Nut, Hex, Lock, .31-24, NI	2	
33	364665	(000000-	Rod, Mp	1	
34	05686	(000000-	Rod-End	2	
35	32716	(000000-	Nut, Hex, Jam, M10 X 1.5, Ss	1	
36	32492	(000000-	Washer, Flat, .38 Hard	4	
37	86240	(000000-	Pin, Clevis	2	
38	25736AM	(000000-	Tube, 0.62d 0.41b 0.6l, Ss, Cham	1	
39	1016914	(020000-	Pivot Wldt, Lh	1	
40	1016910	(020000-	Bellcrank, Sqge, Rear, Lh	1	
▽	41	9000799	(020000-	Arm Assy, Sqge, Side, Front, W/Gm Engine	1
▲	42	71607	(020000-	Bushing, sleeve, 0.63B 0.72D 0.38L	1

Fig. 23 - Squeegee Hose's Group, Max Pro 1200 (Three-Brush)

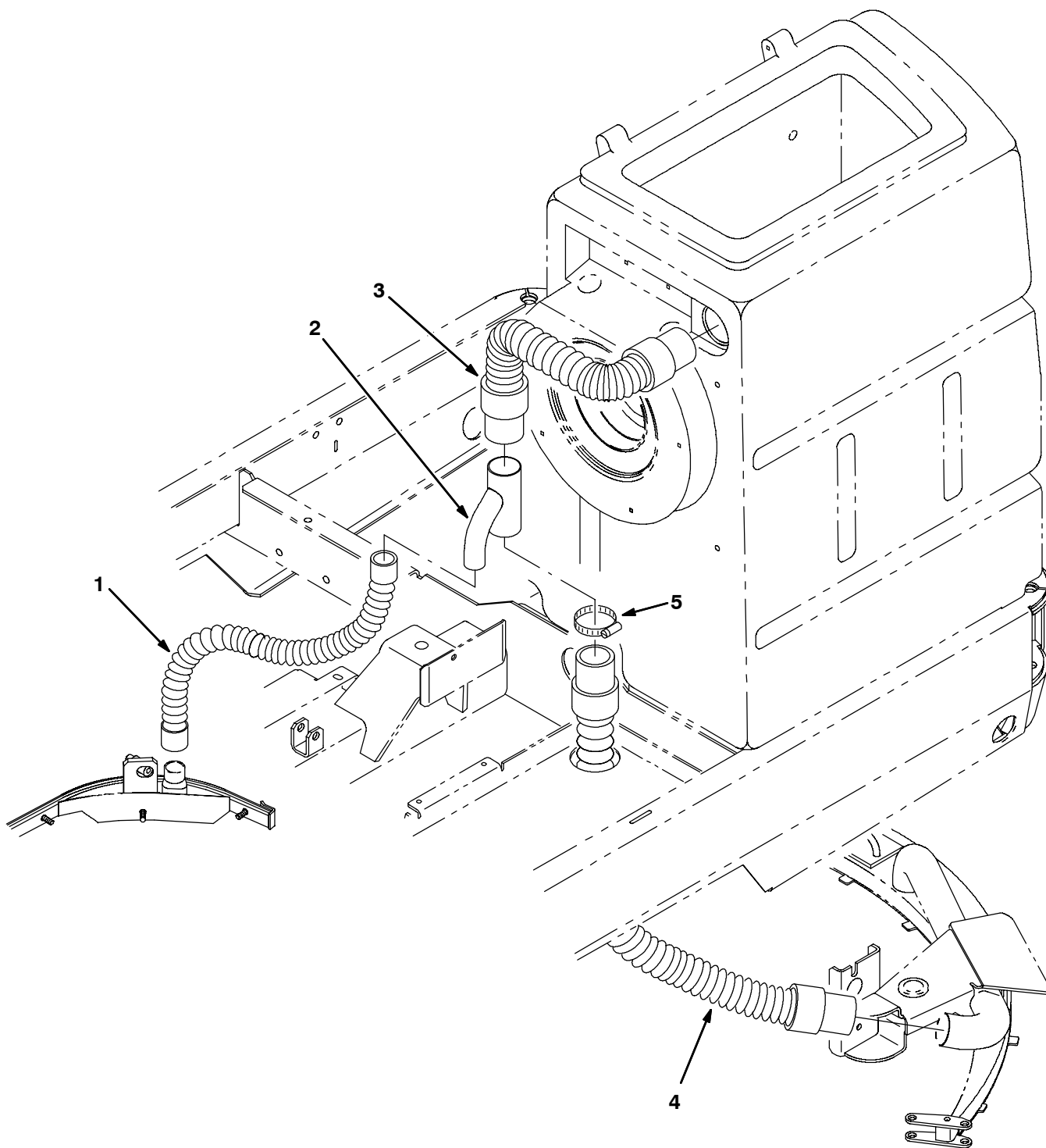


Fig. 23 - Squeegee Hose's Group, Max Pro 1200 (Three-Brush)

Ref.	Part No.	Serial Number	Description	Qty.
1	363401	(000000-) Hose, Vacuum	1
2	363311	(000000-) Tube, Wye, Round, 2X2X1	1
3	364422	(000000-) Hose, Vacuum, Hp, Top	1
4	364423	(000000-) Hose, Vaccum, Hp, Bottom	1
5	14432	(000000-) Clamp, Worm Drive	1

Fig. 24 - Max Path Side Brush Kit, Max Pro 1200 (Three Brush)

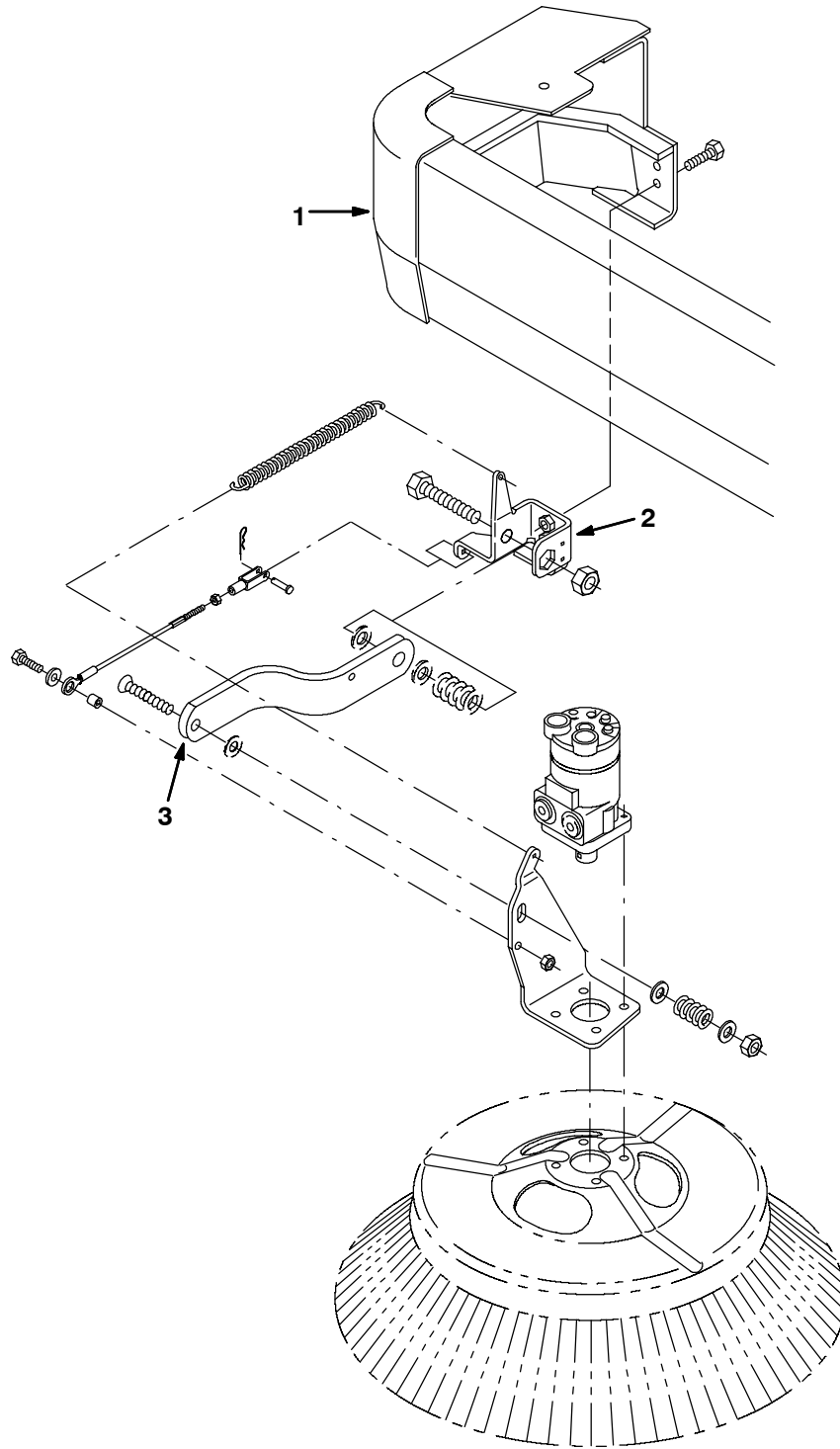


Fig. 24 - Max Path Side Brush Kit, Max Pro 1200 (Three Brush)

	Ref.	Part No.	Serial Number	Description	Qty.
▽		365269	(000000-) Kit, Side Brush, Maxpath	1
▲	1	365266	(000000-) Bumper, Front	1
▲	2	365261	(000000-) Bracket, Mtg, Side Brush	1
▲	3	365267	(000000-) Link, Side Brush	1

Fig. 25 - Side Brush Dust Control Kit, Max Path

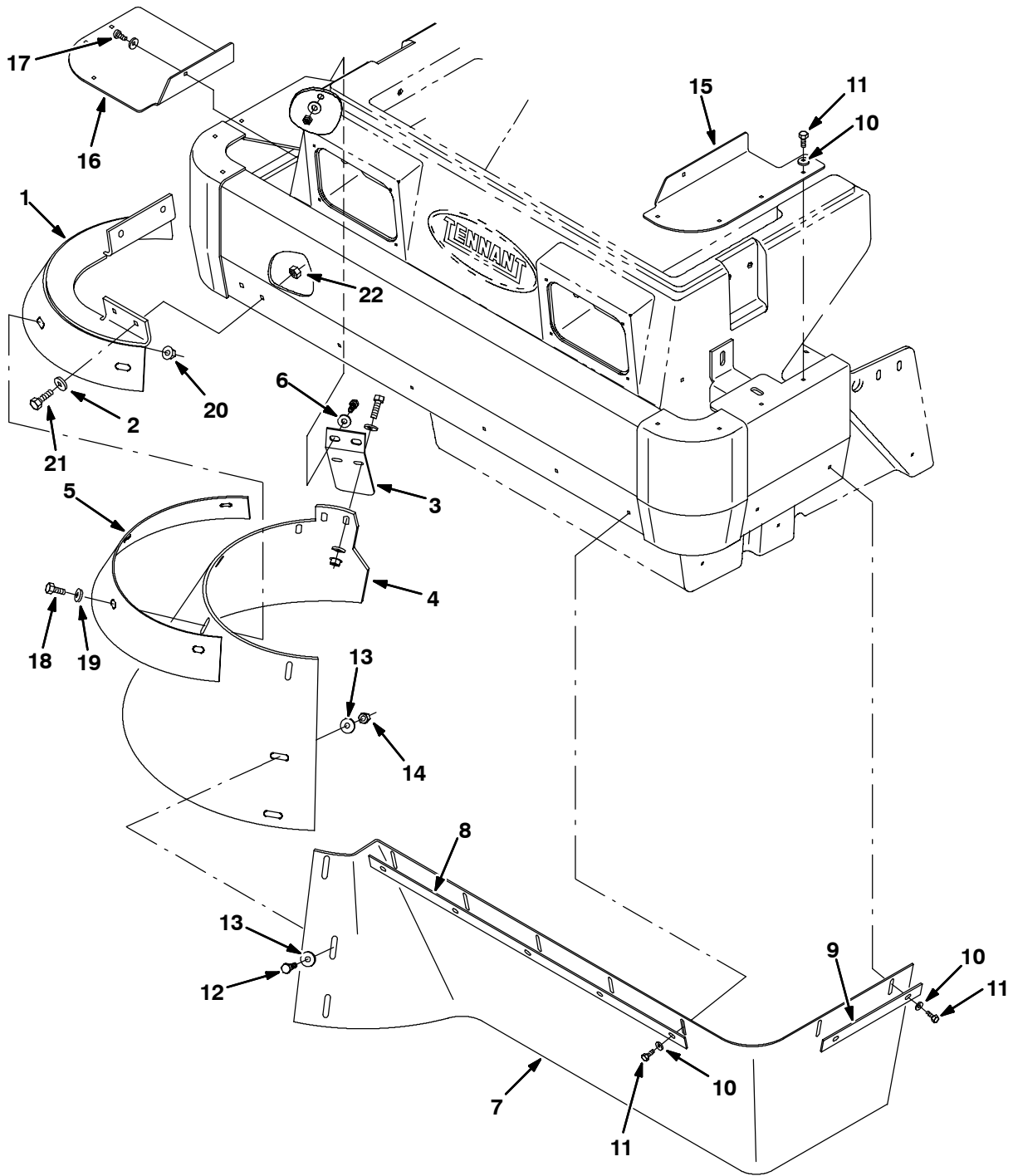


Fig. 25 - Side Brush Dust Control Kit, Max Path

	Ref.	Part No.	Serial Number	Description	Qty.
▽		365286	(000000-) Dust Control Kit, For Maxpath	1
▲	1	360883	(000000-) Bracket	1
▲	2	32492	(000000-) Washer, Flat, .38 Hard	4
▲	3	365290	(000000-) Bracket	1
▲	4	365282	(000000-) Skirt, Sbdc, Maxpath	1
▲	5	361292	(000000-) Strip, Retainer	1
▲	6	30013	(000000-) Washer, Flat, .31 Fender	2
▲	7	365283	(000000-) Skirt, Front, Sbdc, Maxpath	1
▲	8	365134	(000000-) Strip, Retainer, Sbdc	1
▲	9	361331	(000000-) Strip, Retainer	1
▲	10	32490	(000000-) Washer, Flat, .25 Hard	17
▲	11	12459	(000000-) Screw, Hex, Fmg, M06-1.0 X 20	14
▲	12	12277	(000000-) Screw, Hex, M06-1.0 X 20, Ss	2
▲	13	41178	(000000-) Washer, Flat, .25 Fender	4
▲	14	08712	(000000-) Nut, Hex, Lock, M06-1.0, NI,Ss	2
▲	15	365135	(000000-) Seal, Top, Lh Sbdc	1
▲	16	365285	(000000-) Seal, Top, Rh Sbdc, Maxpath	1
▲	17	360973	(000000-) Screw, Pan, #12-X 0.50	2
▲	18	39277	(000000-) Screw, Hex, M8 X 1.25 X 25	4
▲	19	39349	(000000-) Washer, Flat, 0.31 Sae	4
▲	20	07791	(000000-) Nut, Hex, Flng, M8 X 1.25	4
▲	21	03192	(000000-) Screw, Hex, M10 X 1.5 X 30, 8.8	4
▲	22	07792	(000000-) Nut, Hex, Flng, M10 X 1.5	4

Fig. 26 - Side Brush Dust Control Kit

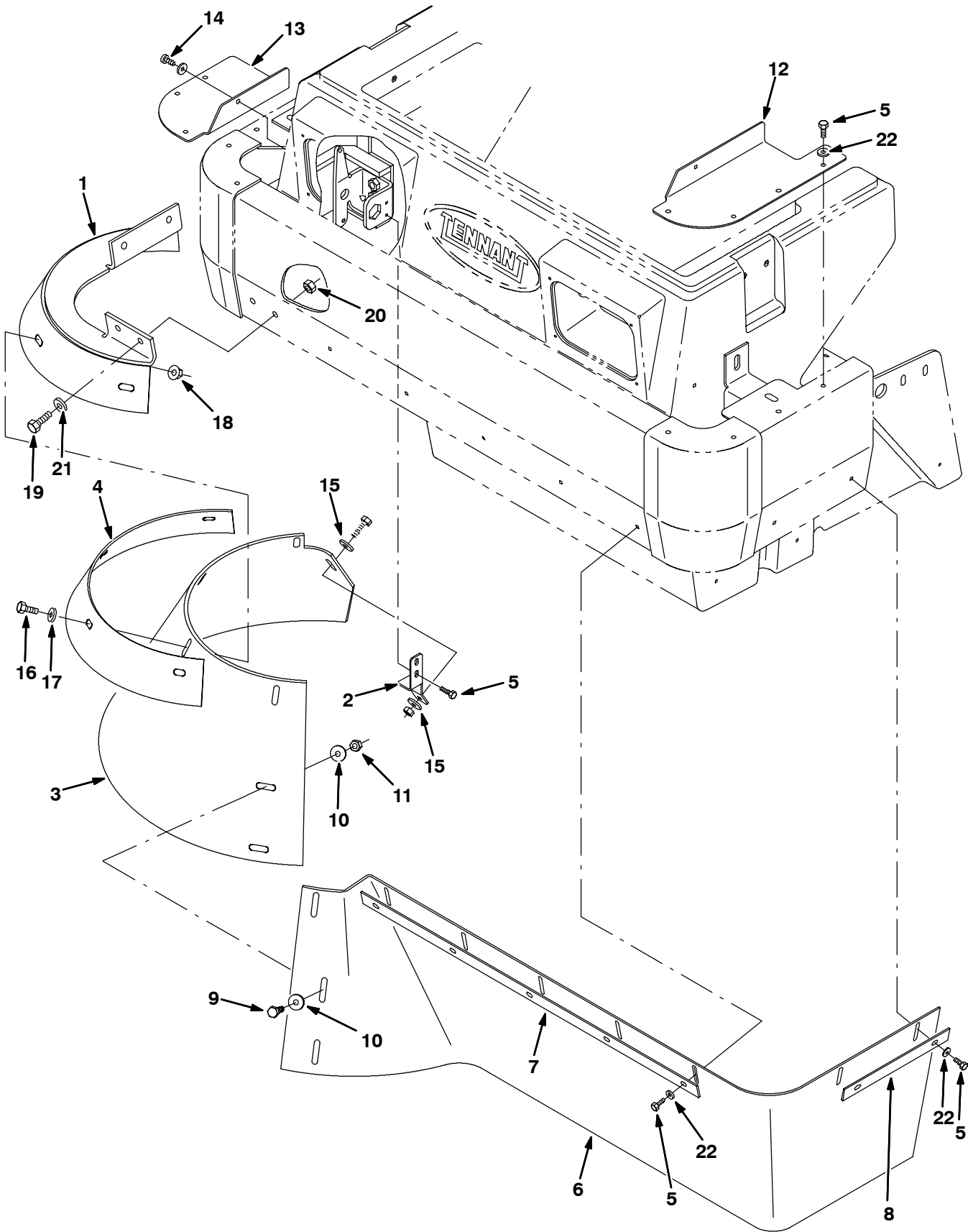


Fig. 26 - Side Brush Dust Control Kit

	Ref.	Part No.	Serial Number	Description	Qty.
▽		365137	(000000-)	Dust Control Kit, Side Brush	1
▲	1	360883	(000000-)	Bracket	1
▲	2	361670	(000000-)	Bracket	1
▲	3	365132	(000000-)	Skirt, Sbdc	1
▲	4	361292	(000000-)	Strip, Retainer	1
▲	5	12459	(000000-)	Screw, Hex, Fmg, M06-1.0 X 20	16
▲	6	365133	(000000-)	Skirt, Front, Sbdc	1
▲	7	365134	(000000-)	Strip, Retainer, Sbdc	1
▲	8	361331	(000000-)	Strip, Retainer	1
▲	9	12277	(000000-)	Screw, Hex, M06-1.0 X 20, Ss	2
▲	10	41178	(000000-)	Washer, Flat, .25 Fender	4
▲	11	08712	(000000-)	Nut, Hex, Lock, M06-1.0, NI,Ss	2
▲	12	365135	(000000-)	Seal, Top, Lh Sbdc	1
▲	13	365136	(000000-)	Seal, Top, Rh Sbdc	1
▲	14	360973	(000000-)	Screw, Pan, #12- X 0.50,	2
▲	15	30013	(000000-)	Washer, Flat, .31 Fender	2
▲	16	39277	(000000-)	Screw, Hex, M8 X 1.25 X 25	4
▲	17	39349	(000000-)	Washer, Flat, 0.31 Sae	4
▲	18	07791	(000000-)	Nut, Hex, FIng, M8 X 1.25	4
▲	19	03192	(000000-)	Screw, Hex, M10 X 1.5 X 30, 8.8	4
▲	20	07792	(000000-)	Nut, Hex, FIng, M10 X 1.5	4
▲	21	32492	(000000-)	Washer, Flat, 0.38 Std	4
▲	22	32490	(000000-)	Washer, Flat, 0.25 Std	11

Fig. 27 - Vacuum Wand Kit

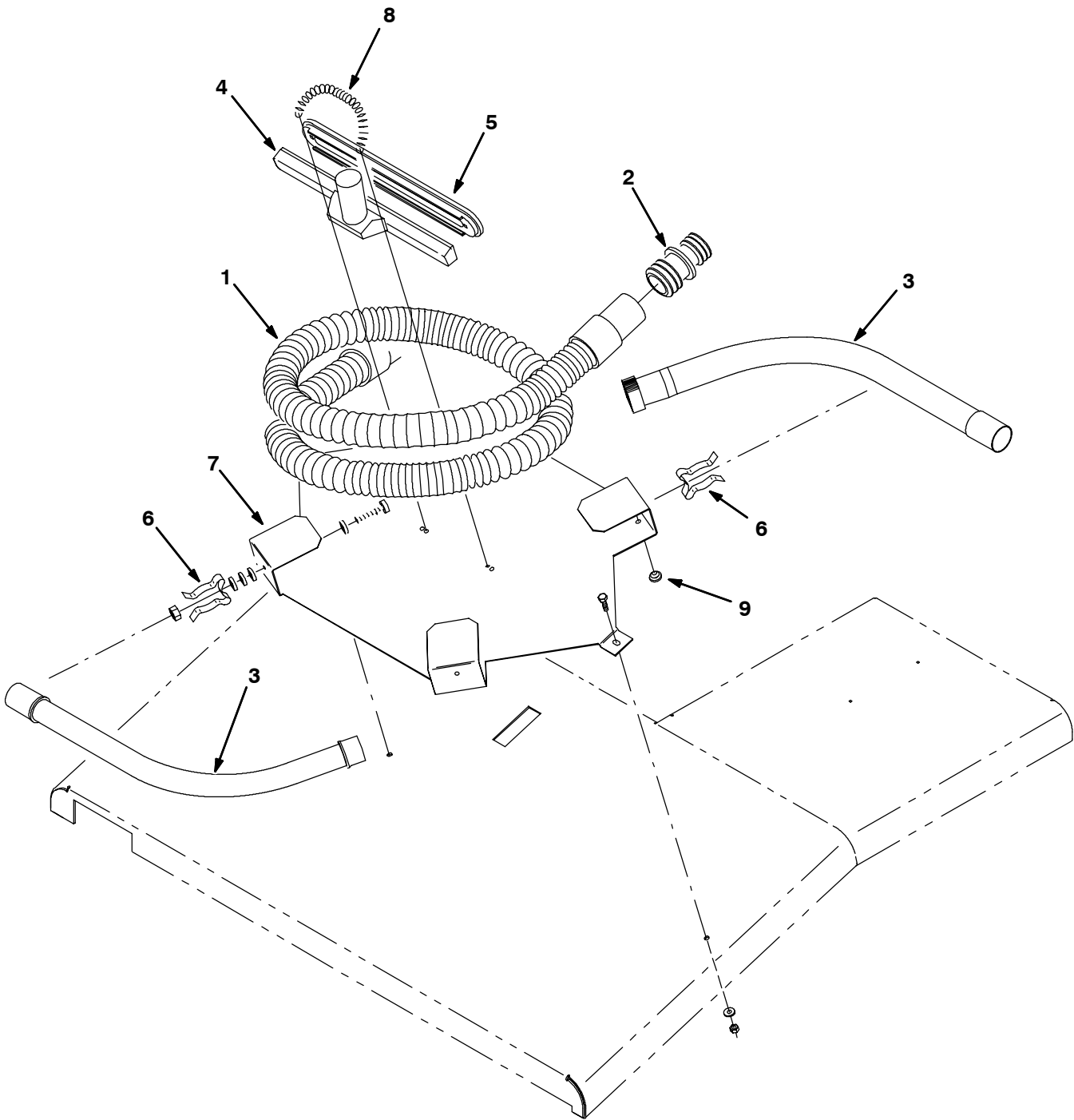


Fig. 27 - Vacuum Wand Kit

	Ref.	Part No.	Serial Number	Description	Qty.
▽		364878	(000000-) Wand Kit, Vac	1
▲	1	86767	(000000-) Hose, Vacuum, With Cuff	1
▲	2	48609	(000000-) Fitting, Plstc, Str	1
▲	3	63448	(000000-) Wand, Metal (2 Piece)	1
▲	4	63451	(000000-) Nozzle, Wand, Plastic	1
▲	5	63430	(000000-) Shoe, Plastic-Squeegee 14In	1
▲	6	67004	(000000-) Clip	4
▲	7	14951	(000000-) Panel	1
▲	8	50304	(000000-) Spring, Extension	1
▲	9	29233	(000000-) Bumper	4

Fig. 28 - Fuel Tank and Engine Cover Group, Horizontal LPG (000000-006137)

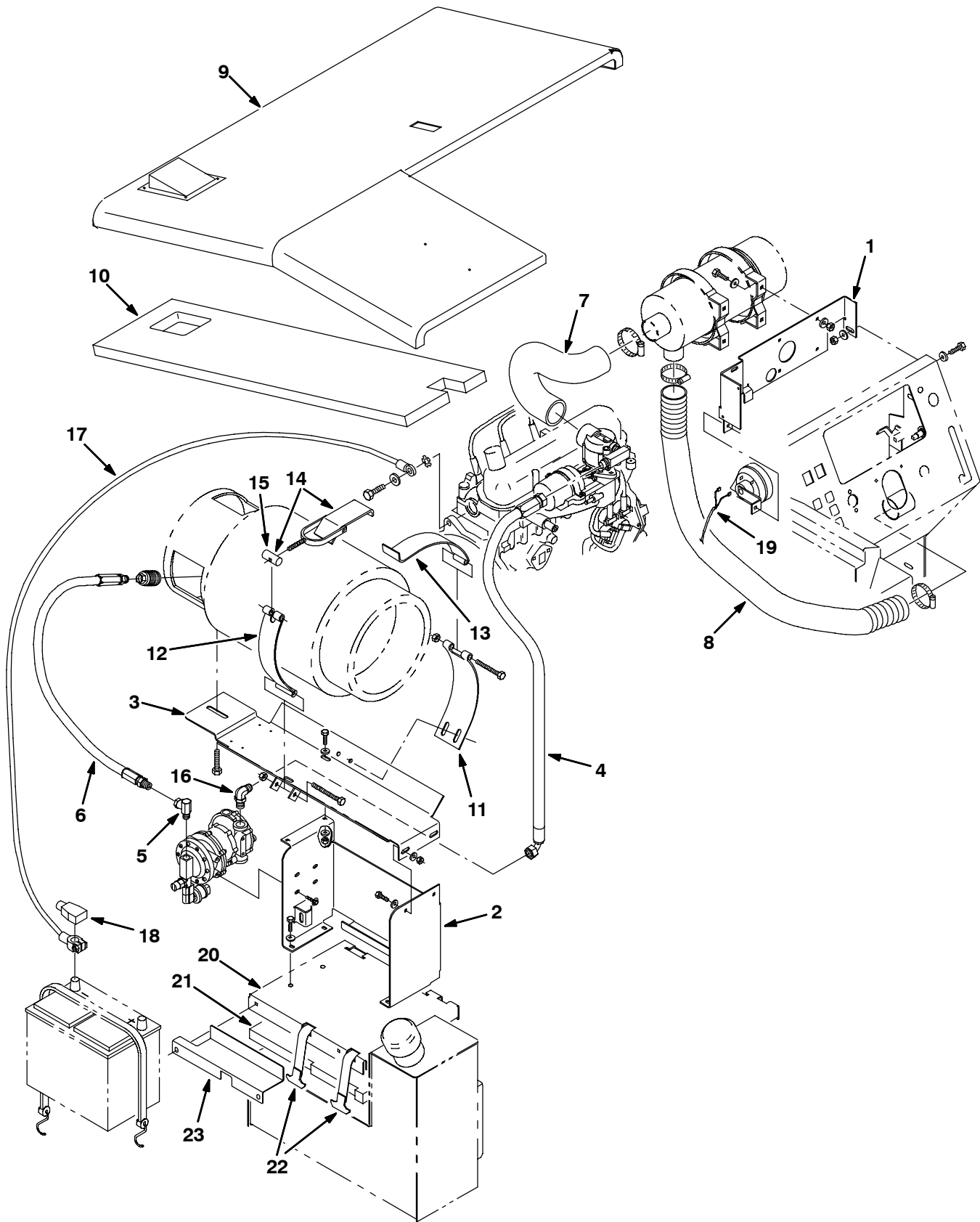


Fig. 28 - Fuel Tank and Engine Cover Group, Horizontal LPG (000000-006137)

Ref.	Part No.	Serial Number	Description	Qty.
1	364912	(000000-006137)	Bracket, Mtg, Aircleaner	1
2	364913	(000000-006137)	Bracket, Mtg, Battery	1
3	365128	(000000-006137)	Tray, Lpg, Horizontal, W/Label	1
4	365027	(000000-006137)	Hose-Lpg, Spl, 41ld X 18.0 Oal	1
5	11442-1	(000000-006137)	Fitting, Elbow, Swivel	1
6	365029	(000000-006137)	Hose-Lpg, Spl, .25ld X 16.0 Oa	1
7	365087	(000000-006137)	Hose,,Molded, Air Intake	1
8	365086	(000000-006137)	Hose,Air Intake,Flex, 2.0ldx19	1
9	365131	(000000-006137)	Cover Assembly	1
10	365088	(000000-006137)	Insulation, S/Foam Hort'Z Tank	1
11	58589	(000000-006137)	Strap, Mtg.- Lp Tank	1
12	58590	(000000-006137)	Strap, Tank Retainer - Lp	1
13	57297	(000000-006137)	Strap, Hinge - Lp Tank Mtg	1
▽	14	53400-1	(000000-006137) Latch Assy, Lpg Tank Mtg,W/Nut	1
▲	15	53400-4	(000000-006137) Nut	1
16	07598	(000000-006137)	Fitting, Brass, Elbow	1
17	57345	(000000-006137)	Cable, Battery, Neg	1
18	68872	(000000-006137)	Boot, Battery	1
19	365205	(000000-006137)	Harness, Jumper	1
20	364744	(000000-006137)	Channel, Base	1
21	364833	(000000-006137)	Insulation, Thermal	1
22	364552	(000000-006137)	Strap	2
23	365197	(000000-006137)	Bracket, Battery, Retaining, Horizontal	1

Fig. 29 - Fuel Tank Group, Horizontal LPG (006138-019999)

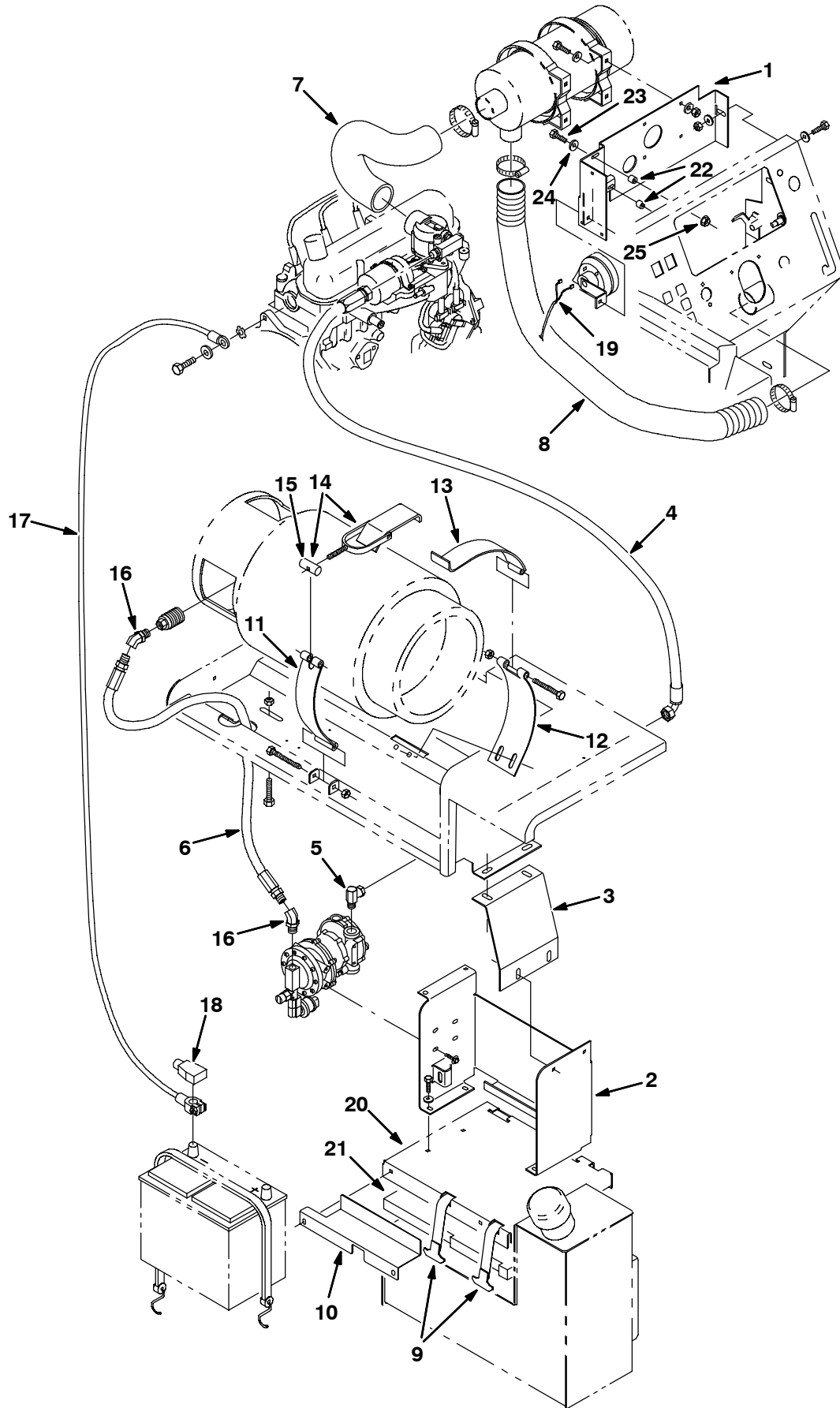


Fig. 29 - Fuel Tank Group, Horizontal LPG (006138-019999)

Ref.	Part No.	Serial Number	Description	Qty.
1	375418	(006138-019999)	Bracket, Mtg, Aircleaner	1
2	364913	(006138-019999)	Bracket, Mtg, Battery	1
3	365347	(006138-019999)	Bracket	1
4	365027	(006138-019999)	Hose-Lpg, Spl, 41ld X 18.0 Oal	1
5	07598	(006138-019999)	Fitting, Brs, E90, Pm08/Sm08	1
6	22308	(006138-019999)	Hose-Lpg, Spl	1
7	365087	(006138-019999)	Hose,,Molded, Air Intake	1
8	365086	(006138-019999)	Hose,Air Intake,Flex, 2.0ldx19	1
9	364552	(006138-019999)	Strap	2
10	365197	(006138-019999)	Bracket, Battery, Retaining, Horizontal	1
11	365359	(006138-019999)	Strap, Mtg.- Lp Tank	1
12	58589	(006138-019999)	Strap, Tank Retainer - Lp	1
13	57297	(006138-019999)	Strap, Hinge - Lp Tank Mtg	1
▽	14	53400-1	(006138-019999) Latch Assy, Lpg Tank Mtg,W/Nut	1
▲	15	53400-4	(006138-019999) Nut	1
16	47720	(006138-019999)	Fitting, Brass, Elbow	2
17	57345	(006138-019999)	Cable, Battery, Neg	1
18	68872	(006138-019999)	Boot, Battery	1
19	365205	(006138-019999)	Harness, Jumper	1
20	364744	(006138-019999)	Channel, Base	1
21	364833	(006138-019999)	Insulation, Thermal	1
22	222460	(006138-019999)	Sleeve, P/M, 0.496D 0.318B 0.50L 430Ss	2
23	06945	(006138-019999)	Screw, Hex, M06 X 1.0 X 30, 8.8	2
24	32490	(006138-019999)	Washer, Flat, .25 Std	2
25	07790	(006138-019999)	Nut, Hex, Fing, M06 X 1.0	2

Fig. 30 - Fuel Tank Group, Horizontal LPG (020000-)

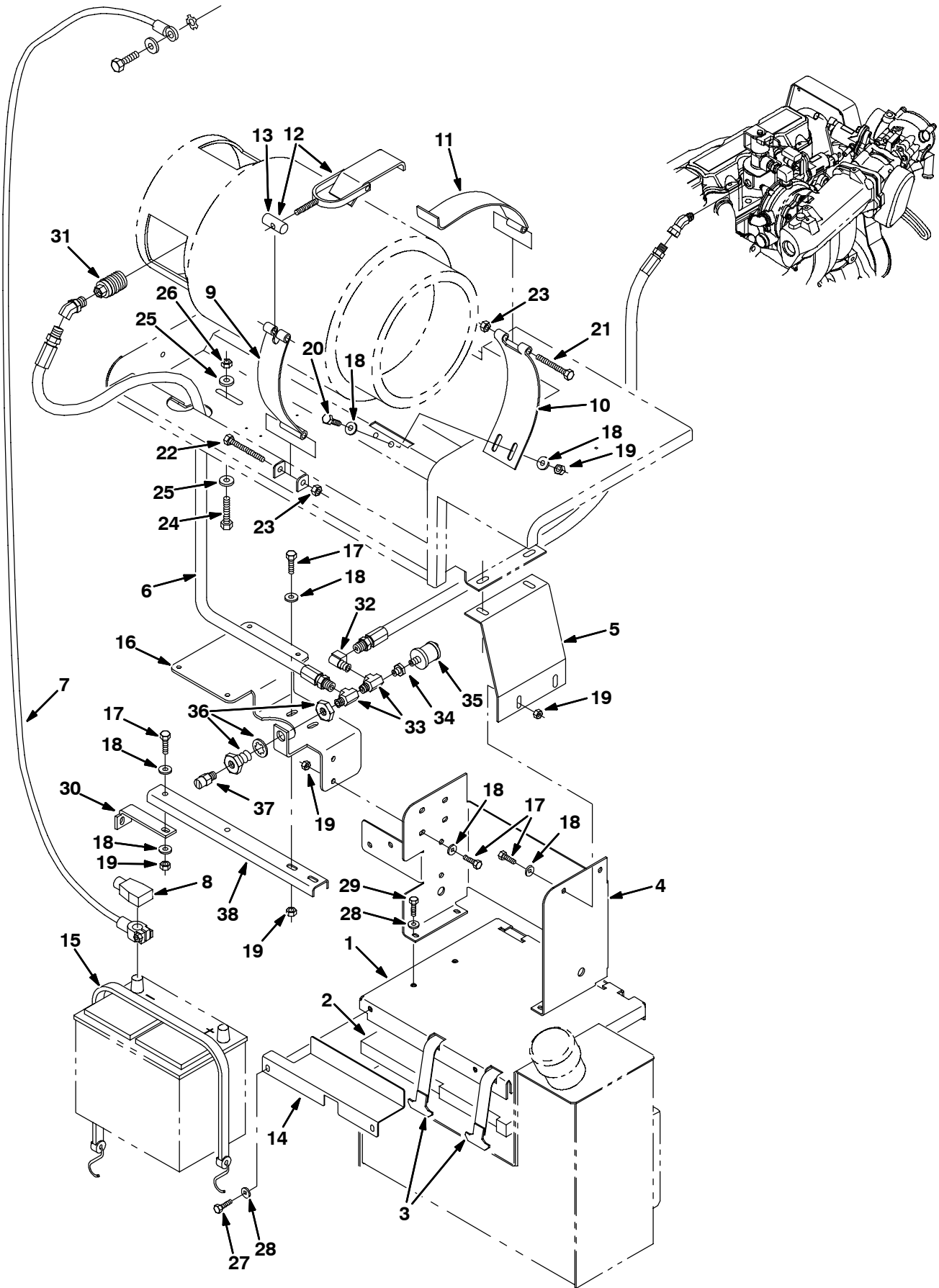


Fig. 30 - Fuel Tank Group, Horizontal LPG (020000-)

Ref.	Part No.	Serial Number	Description	Qty.
1	1020305	(020000-) Channel, Base, Horizontal Lp	1
2	1017560	(020000-) Insulation, Acstc, 1.00	1
3	364552	(020000-) Strap Wldt, Mtg, Tank, .36 1.00w 24.8l	2
4	1017252	(020000-020118) Bracket, Mtg, Battery	1
4	1024622	(020119-) Bracket, Mtg, Battery	1
5	365347	(020000-) Bracket, Mtg, Sppt, Tank, Lpg	1
6	377218	(020000-) Hose, Lpg, Med05, Pm04str/Sm04str, 19.0l	1
7	34821	(020000-) Cable, Battery, Neg 2ga 36.0l .41 Hole	1
8	68872	(020000-) Boot, Cable, Battery, Black	1
9	365359	(020000-) Strap	1
10	58589	(020000-) Strap, Mtg, Tank, Lpg	1
11	57297	(020000-) Strap, Mtg, Tank, Lpg, Hinge	1
▽	12	53400-1	(020000-) Latch Assy, Mtg, Tank, Lpg, W/Nut	1
▲	13	53400-4	(020000-) Nut, Adj, Mtg, Tank, Lpg	1
14	365197	(020000-) Bracket, Retaining, Battery	1
15	33671	(020000-) Strap, Rbr, Tie-Down, 2/Hooks 19.0l	1
16	1017818	(020000-) Bracket, Module, Electronic Cntrl, Lp	1
17	16931	(020000-) Screw, Hex, M8 X 1.25 X 20, 8.8	5
18	32491	(020000-) Washer, Flat, 0.31 Std	10
19	08709	(020000-) Nut, Hex, Lock, M8 X 1.25, NI	7
20	39277	(020000-) Screw, Hex, M8 X 1.25 X 25	2
21	35710	(020000-) Screw, Hex, .38-16 X 3.75, 5	1
22	35707	(020000-) Screw, Hex, .38-16 X 3.00, 5	1
23	50902	(020000-) Nut, Hex, Lock, .38-16, NI	2
24	06419	(020000-) Screw, Hex, M10 X 1.5 X 70, Ss, FI	1
25	01686	(020000-) Washer, Flat, 0.44b 1.00 .08, Ss	2
26	08714	(020000-) Nut, Hex, Lock, M10 X 1.5, NI, Ss	1
27	06942	(020000-) Screw, Hex, M6 X 1.0 X 16, 8.8	2
28	32490	(020000-) Washer, Flat, 0.25 Std	6
29	06943	(020000-) Screw, Hex, M6 X 1.0 X 20, 8.8	4
30	1020370	(020000-) Angle, Sppt [Ecm]	1
31	26496	(020000-) Fitting, Brs, Qdc, Pf04 Lpg Fem	1
32	27048	(020000-) Fitting, Brs, E90, Pm04/Pf04	1
33	56976A	(020000-) Fitting, Hyd, Tee, Pf04/Pf04/Pm04, Run	2
34	17414	(020000-) Fitting, Hyd, Str, Pf02/Pm04	1
35	23156	(020000-) Switch, Press, 12vdc 08a Spst Nc 0070psi	1
36	78122	(020000-) Fitting, Brs, Str, Pf04/Pf04, Bh	1
37	24047	(020000-) Valve, Lpg, Press Relief, [Rego]	1
38	1013420	(020000-) Channel, Sppt, Battery Tray	1

Fig. 31 - Engine Side Door and Cover Group, Horizontal LPG

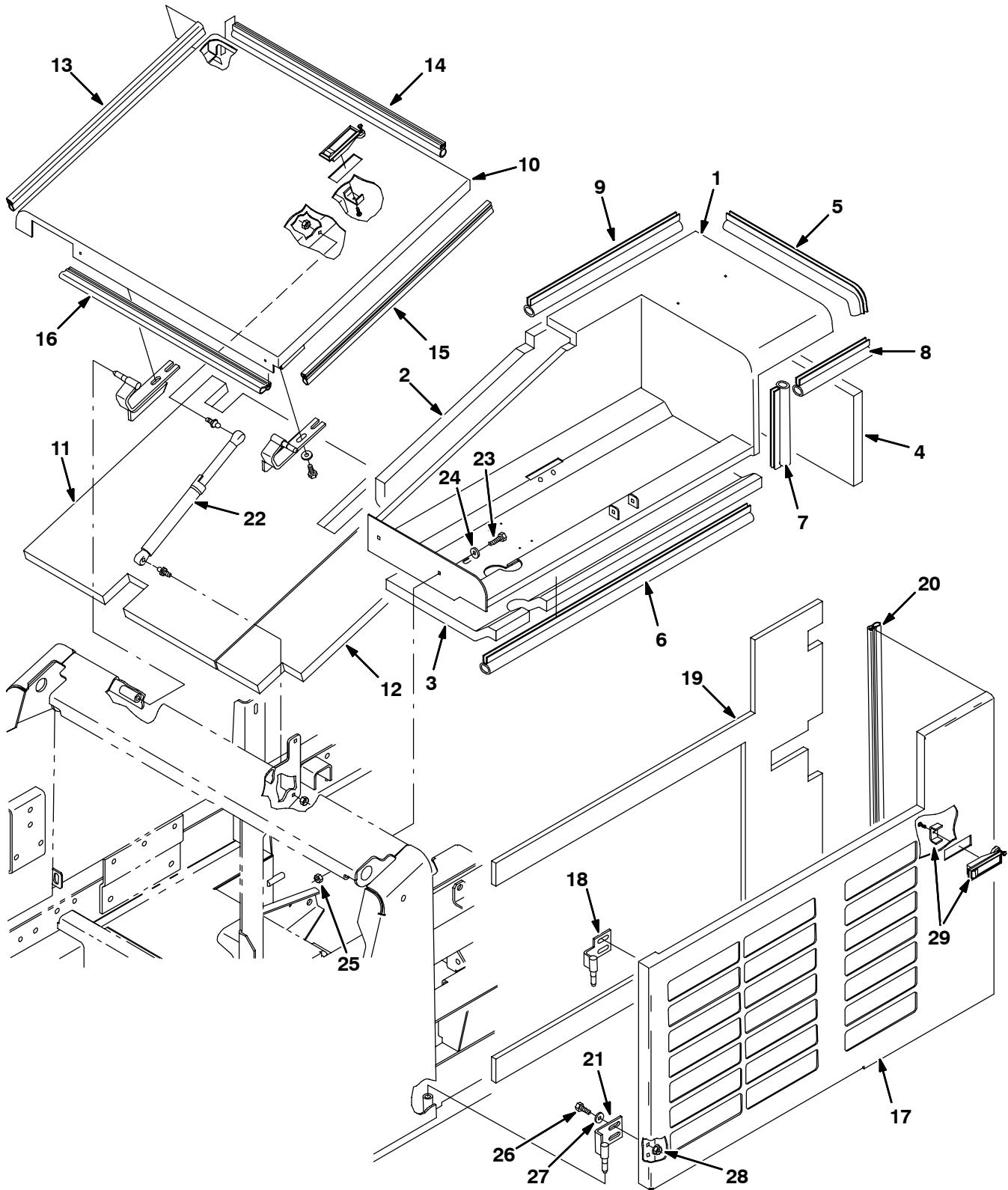


Fig. 31 - Engine Side Door and Cover Group, Horizontal LPG

Ref.	Part No.	Serial Number	Description	Qty.
1	365341	(006138-) Cover	1
2	365360	(006138-) Insulation, Side	1
3	365361	(006138-) Insulation, Bottom	1
4	365362	(006138-) Insulation, Rear	1
5	364693	(006138-) Seal, Bulb, 15.75	1
6	365351	(006138-) Seal, Bulb, 30.5	1
7	365352	(006138-) Seal, Bulb, 7.5	1
8	365353	(006138-) Seal, Bulb, 8.25	1
9	365356	(006138-) Seal, Bulb, 17	1
10	365332	(006138-) Cover Asm, Engine	1
11	364701	(006138-) Insulation, Cover	1
12	365329	(006138-) Insulation, Cover	1
13	364694	(006138-) Seal, Bulb, 23	1
14	365355	(006138-) Seal, Bulb, 29	1
15	367584	(006138-) Seal, Bulb, 23	1
16	365354	(006138-) Seal, Bulb, 23.38	1
17	365344	(006138-) Door Asm, Lh, Lpg	1
18	365348	(006138-) Bracket Asm, Hinge	1
19	365345	(006138-) Insulation, Door	1
20	365023	(006138-) Seal, Bulb, 29	1
21	71931	(006138-) Bracket	1
22	370186	(006138-) Spring, Gas, 72 lb	1
23	16931	(006138-) Screw, Hex, M8 X 1.25 X 20, 8.8	2
24	32491	(006138-) Washer, Flat, 0.31 Std	2
25	08709	(006138-) Nut, Hex, Lock, M8 X 1.25, NI	2
26	39277	(006138-) Screw, Hex, M8 X 1.25 X 25	4
27	41186	(006138-) Washer, Belleville, .31	4
28	07791	(006138-) Nut, Hex, Flng, M8 X 1.25	4
29	64533	(006138-) Latch, Trigger	1

Fig. 32 - Severe Enviroment Kit

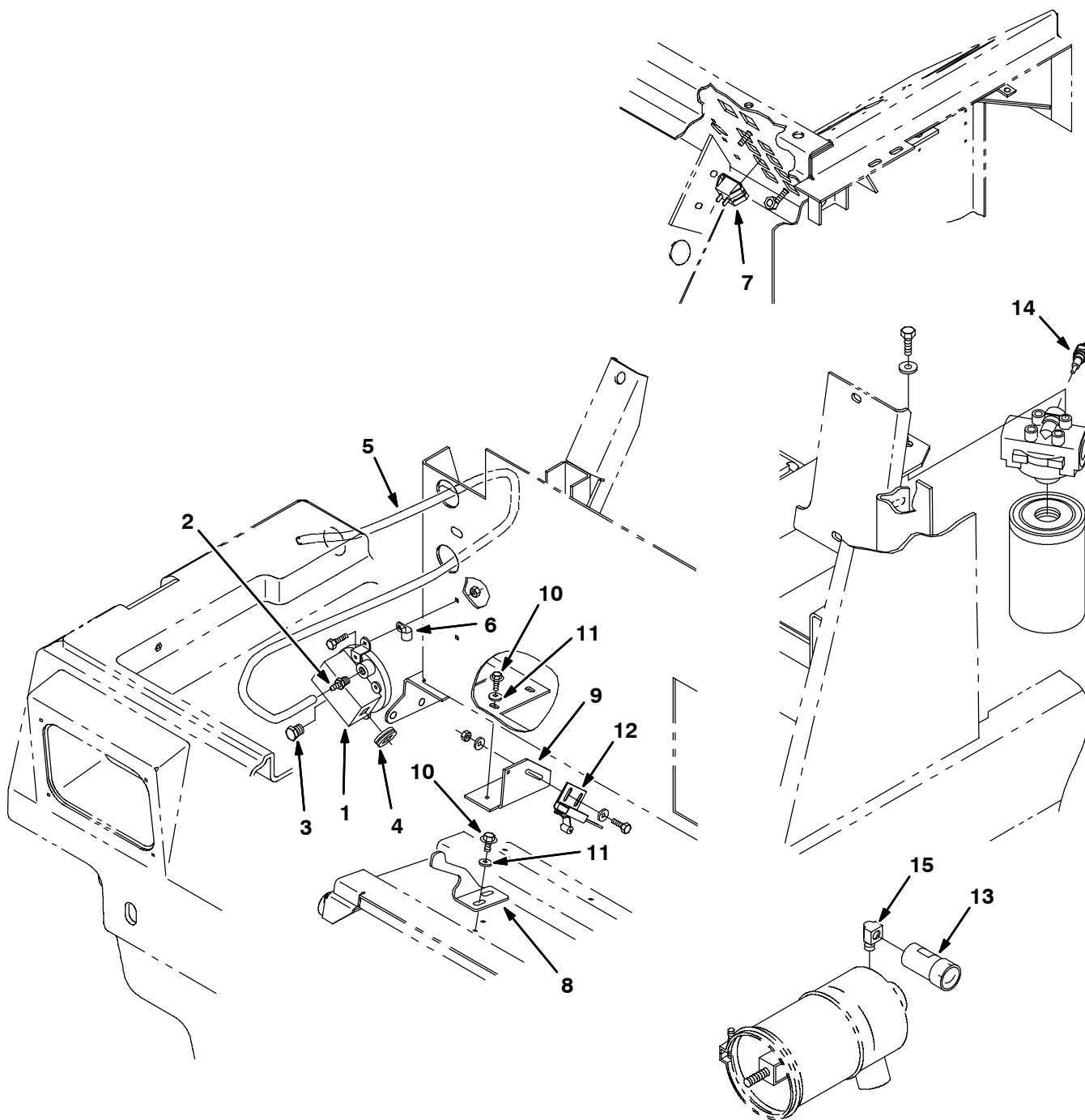


Fig. 32 - Severe Enviroment Kit

	Ref.	Part No.	Serial Number	Description	Qty.
▽		365068	(000000-) Severe Enviroment Kit, 8200 Lin	1
▲	1	39924	(000000-) Switch, Pressure	1
▲	2	40607	(000000-) Fitting, Brass, Str	1
▲	3	82739	(000000-) Fitting, Breather	1
▲	4	10632-4	(000000-) Grommet, Rubber	1
▲	5	39780-2	(000000-) Hose, Vacuum .16ld X 54.0 Lg	1
▲	6	46236	(000000-) Clamp, Cable	1
▲	7	361075	(000000-) Lamp, Indicator 12 Volt	3
▲	8	365272	(000000-) Bracket	1
▲	9	365273	(000000-) Bracket	1
▲	10	74455	(000000-) Screw, Hex, Fmg, M06-1.0 X 12	4
▲	11	01684	(000000-) Washer, Flat, .25 Ss	4
▲	12	59965	(000000-) Switch, Roller	1
▲	13	03026	(000000-) Indicator, Air Filter	1
▲	14	65222	(000000-) Sender, Filter, Hydraulic	1
▲	15	11984	(020000-) Fitting, Pipe, E90, Pm02/Pf02	1

Fig. 33 - Hopper Door Light Kit

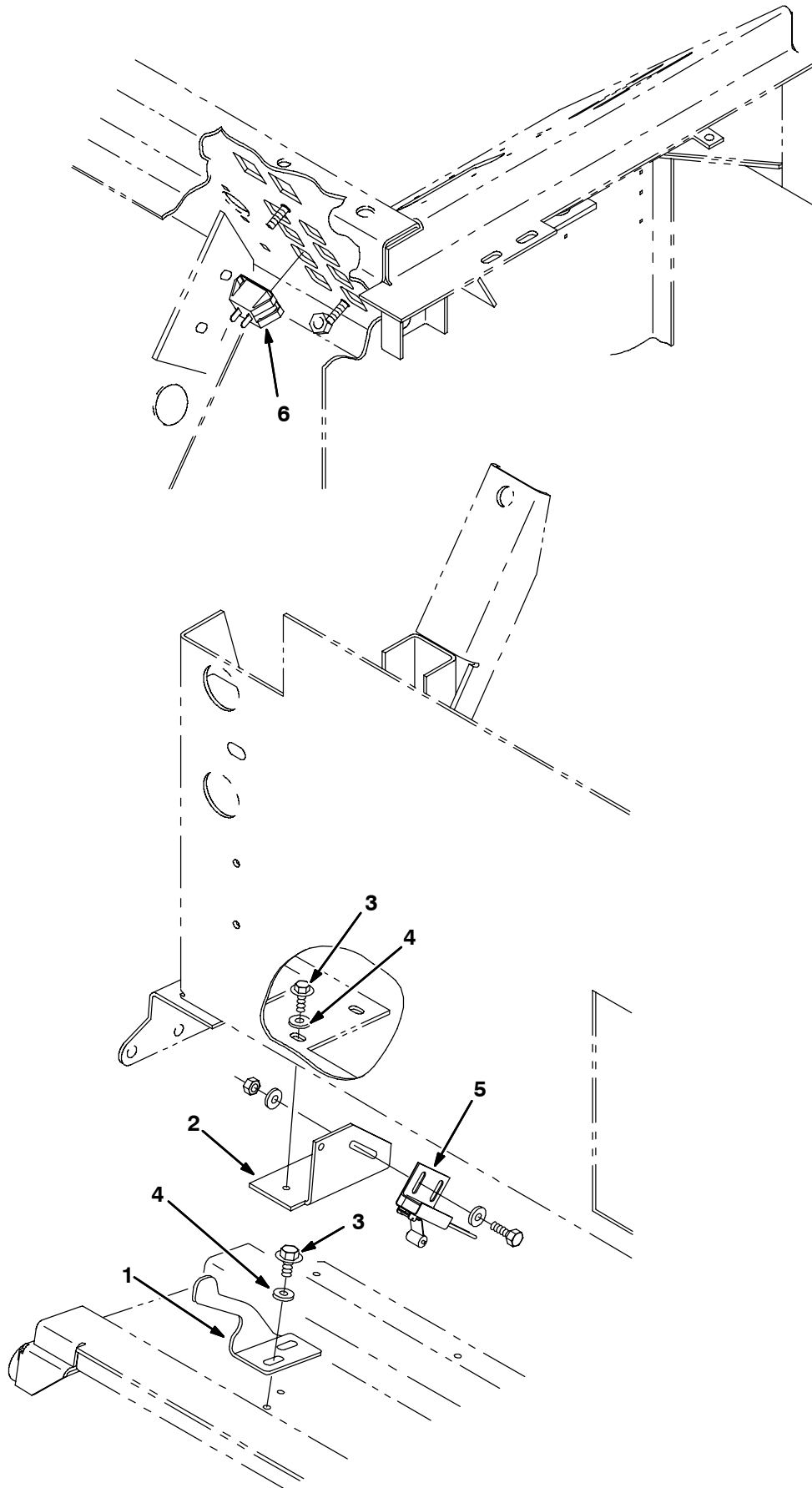


Fig. 33 - Hopper Door Light Kit

	Ref.	Part No.	Serial Number	Description	Qty.
▽		365102	(000000-) Hopper Door Light, Kit	1
▲	1	365272	(000000-) Bracket	1
▲	2	365273	(000000-) Bracket	1
▲	3	74455	(000000-) Screw, Hex, Fmg, M06-1.0 X 12	4
▲	4	01684	(000000-) Washer, Flat, .25 Ss	4
▲	5	59965	(000000-) Switch, Roller	1
▲	6	361075	(000000-) Lamp, Indicator 12 Volt	1

Fig. 34 - Steering Tilt Kit

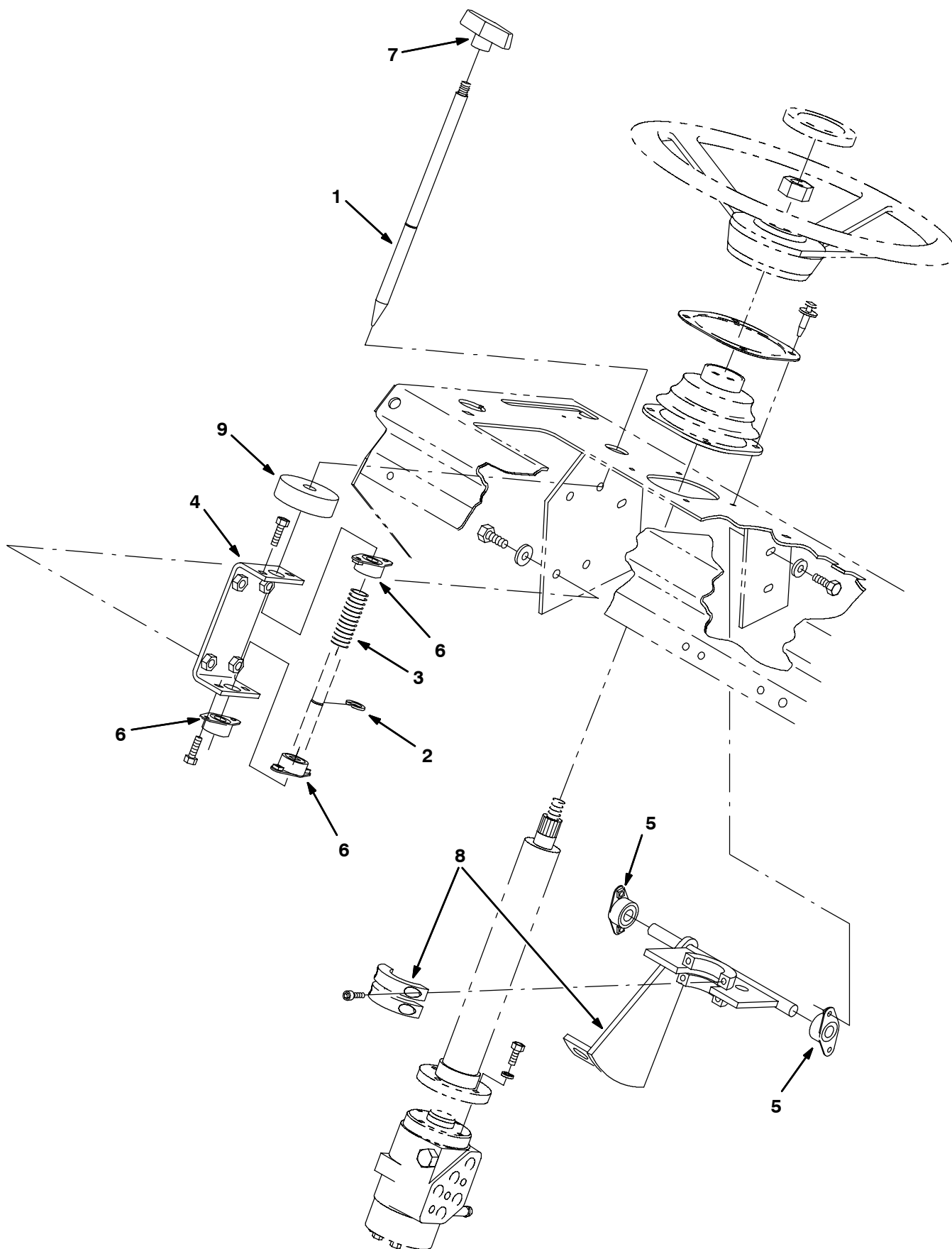


Fig. 34 - Steering Tilt Kit

	Ref.	Part No.	Serial Number	Description	Qty.
▽		364311	(000000-) Steering Tilt, Kit 8200 Line	1
▲	1	360711	(000000-) Rod	1
▲	2	70717	(000000-) Ring, Retaining	1
▲	3	22290	(000000-) Spring, Compression	1
▲	4	64655	(000000-) Channel, Mtg, Steering Latch	1
▲	5	70709	(000000-) Bearing, Flange	2
▲	6	47585	(000000-) Bearing, Flange	3
▲	7	04706	(000000-) Handle	1
▲	8	73027	(000000-) Bracket	1
▲	9	75968	(000000-) Seal, Bearing	1

Fig. 35 - Seat Belt Kit (For Grammar and Michigan Seats)

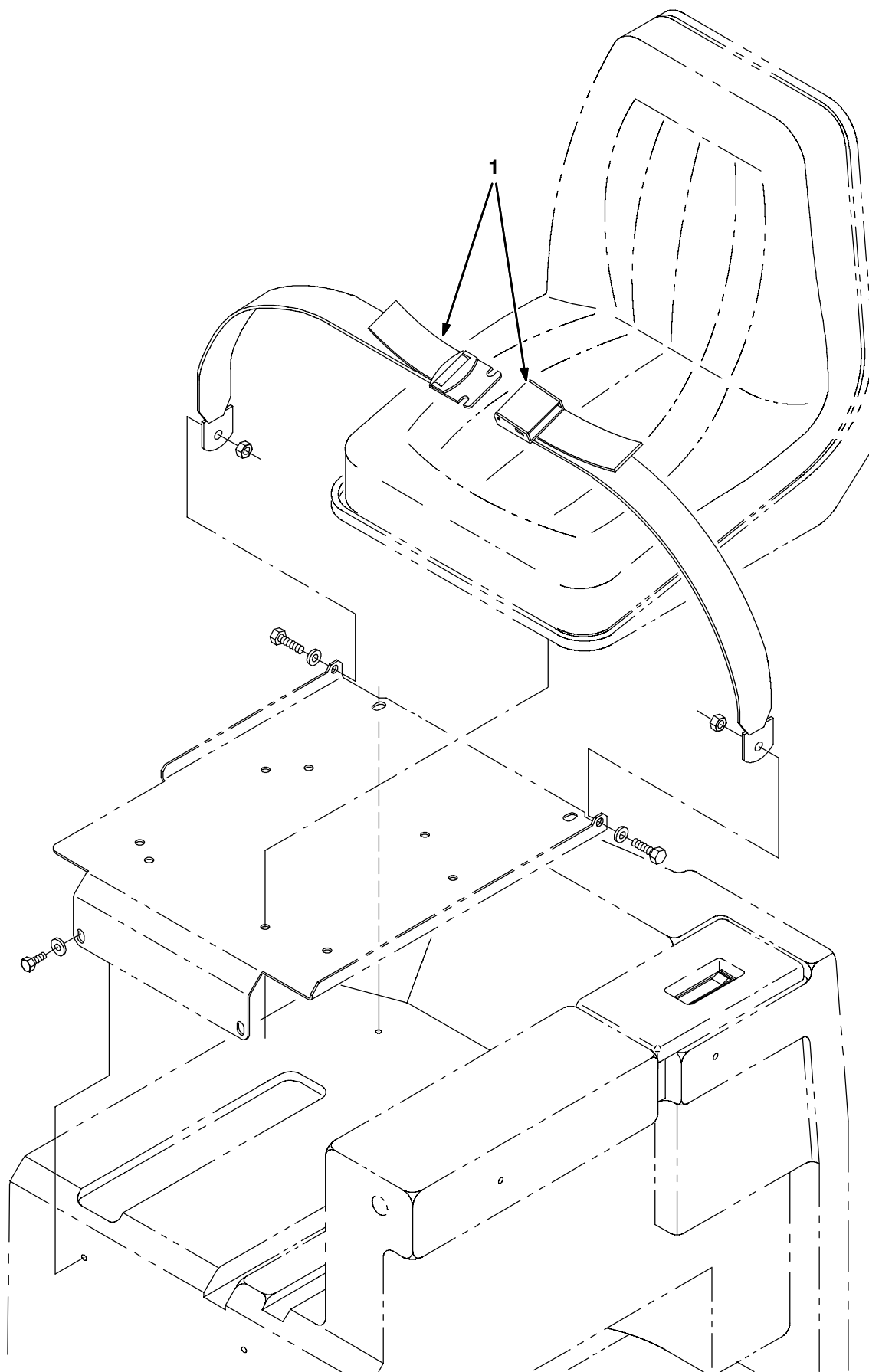
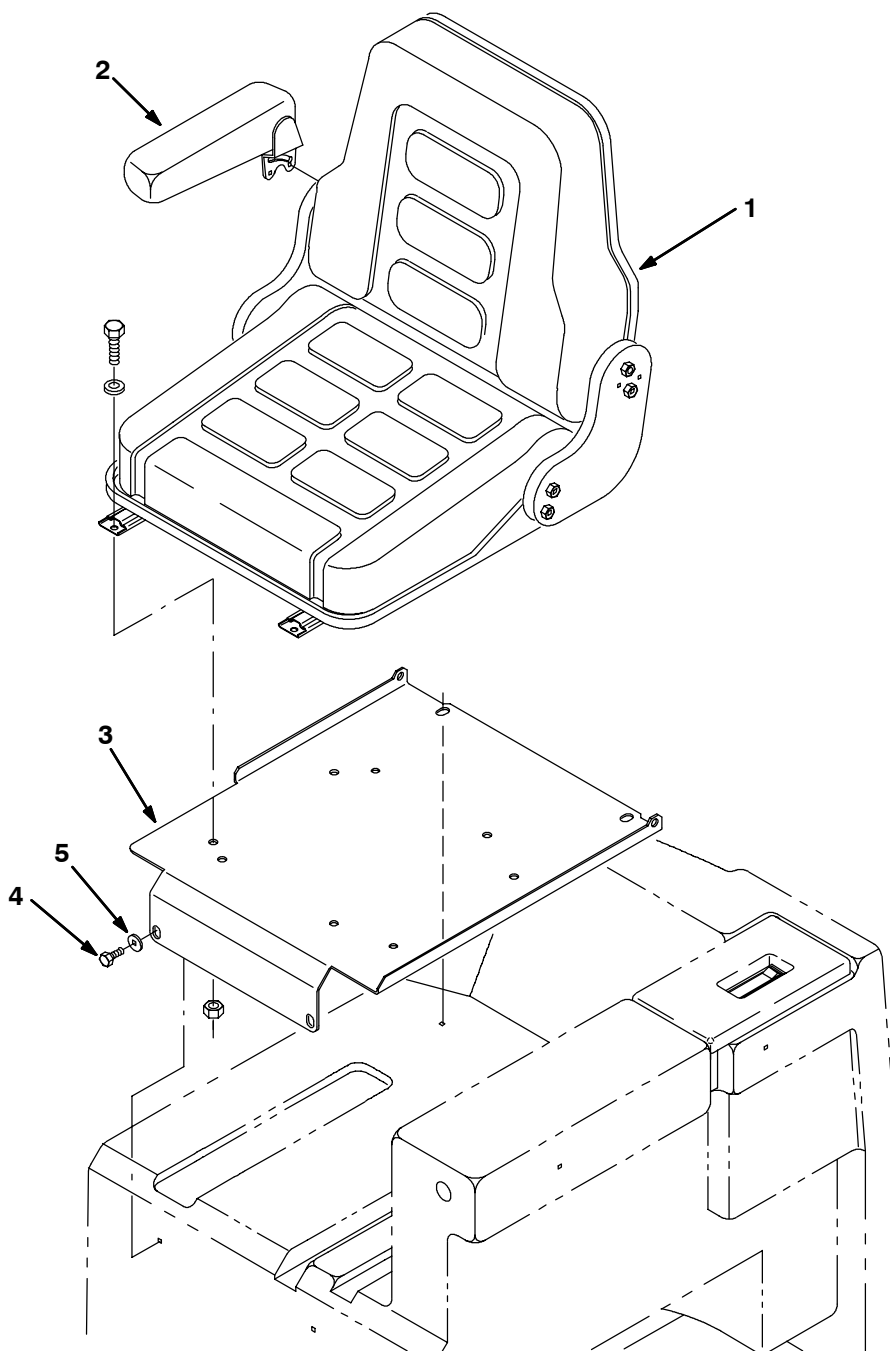


Fig. 35 - Seat Belt Kit (For Grammar and Michigan Seats)

	Ref.	Part No.	Serial Number	Description	Qty.
▽		364846	(000000-) Seat Belt Kit 8200	1
▲	1	30533	(000000-) Belt, Seat	1

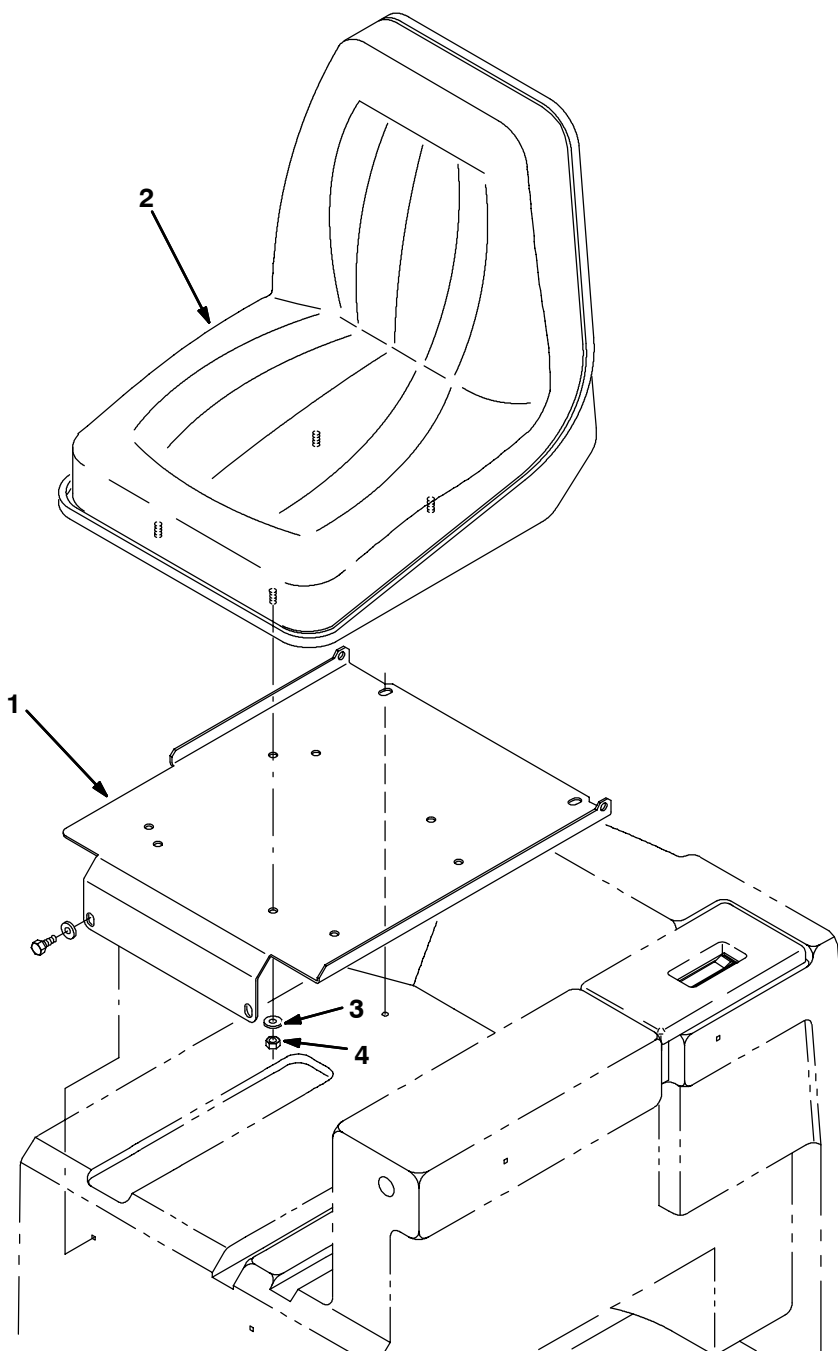
Fig. 36 - Deluxe Suspension Seat Group



351624 - 8200

Ref.	Part No.	Serial Number	Description	Qty.
▽	364851	(000000-) Seat Kit, Grammer 8200	1
▲	1 53845	(000000-) Seat	1
▲	2 71477	(000000-) Armrest	1
▲	3 364559	(000000-) Plate, Mtg, Seat	1
▲	4 15675	(000000-) Screw, Hex, M08-1.25 X 16, Ss	4
▲	5 01685	(000000-) Washer, Flat, .31 Ss	4

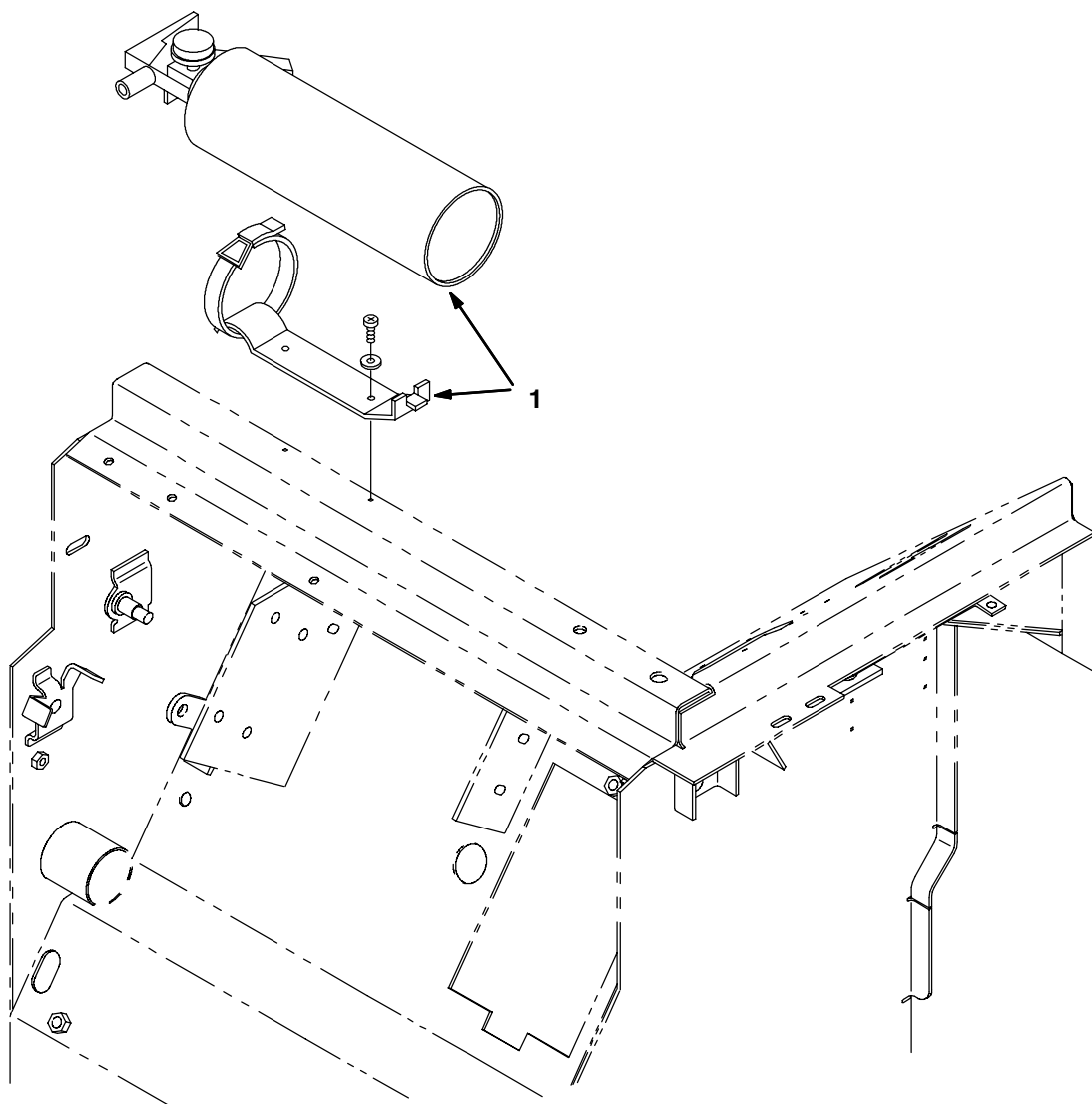
Fig. 37 - Adjustable Seat Group



351512 - 8200

Ref.	Part No.	Serial Number	Description	Qty.
▽	364856	(000000-) Seat Kit, Michigan 8200	1
▲	1 364559	(000000-) Plate, Mtg, Seat	1
▲	2 364973	(000000-) Seat, Michigan W/O Armrest	1
▲	3 01685	(000000-) Washer, Flat, .31 Ss	4
▲	4 61366	(000000-) Nut, Hex, Lock, .31-18, NI, Ss	4

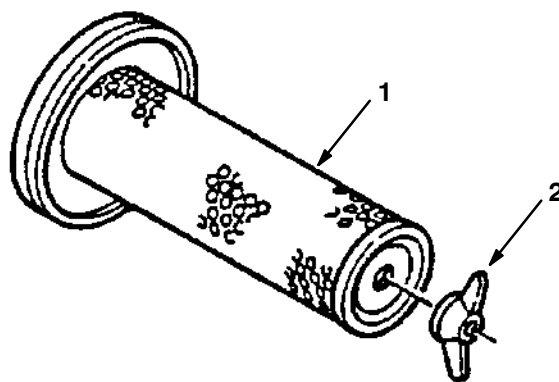
Fig. 38 - Fire Extinguisher Kit



351667 - JP, NA

Ref.	Part No.	Serial Number	Description	Qty.
▽	78987	(000000-) Kit, Extinguisher, Fire	1
▲	1 25312	(000000-) Extinguisher, Fire	1

Fig. 39 - Heavy Duty Engine Air Filter Kit



04712 - ALL

Ref.	Part No.	Serial Number	Description	Qty.
▽	07565	(000000-) Element Kit, Air, Safety	1
▲	1 58121	(000000-) Element, Safety	1
▲	2 07562	(000000-) Wingnut	1

Fig. 40 - Back-up Alarm Kit

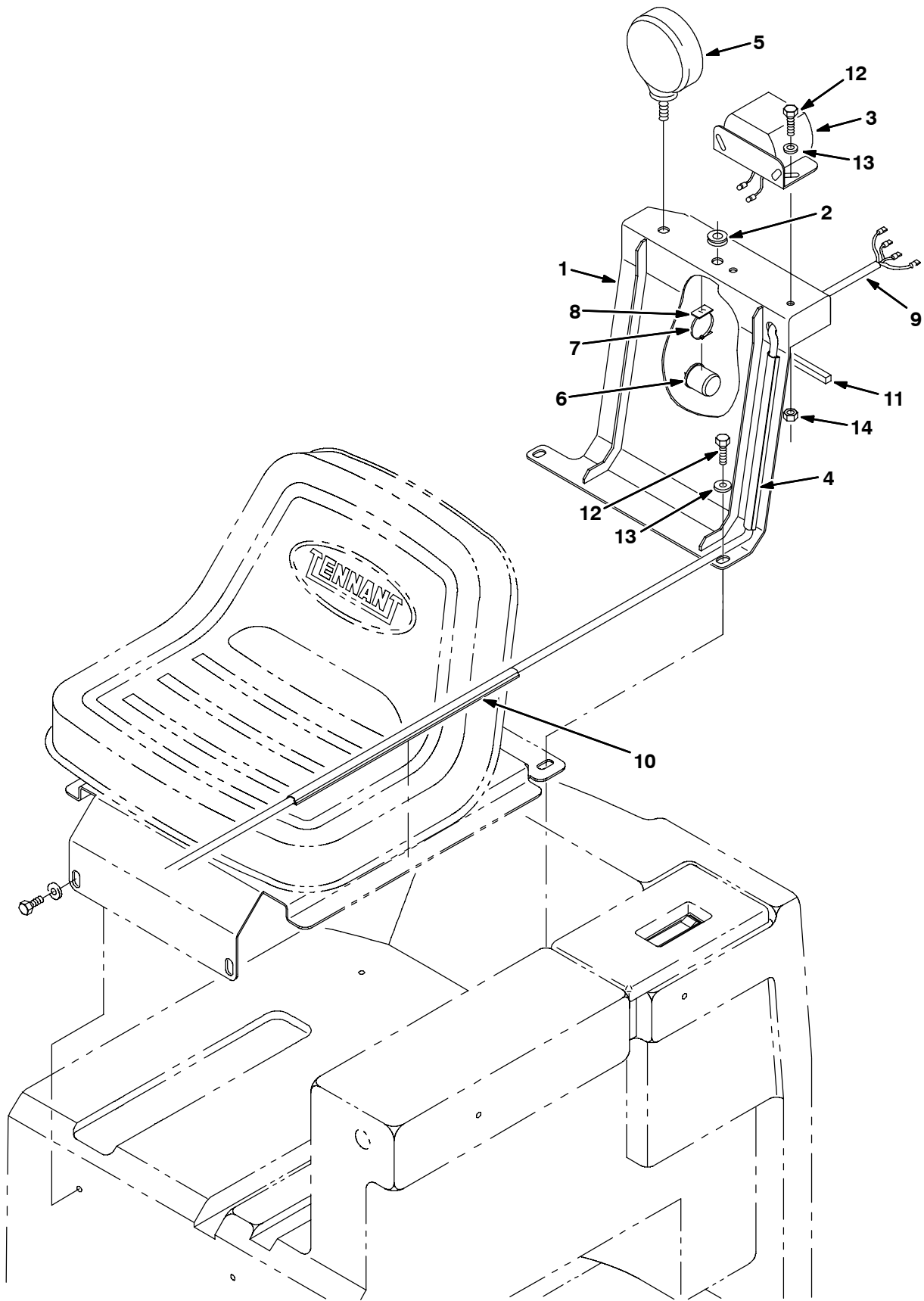


Fig. 40 - Back-up Alarm Kit

	Ref.	Part No.	Serial Number	Description	Qty.
▽		365199	(000000-) Backup Alarm Kit	1
▲	1	365192	(000000-) Bracket, Backup Alarm Wldm'T	1
▲	2	10632-9	(000000-) Grommet, Rubber	1
▲	3	83161	(000000-) Horn Assy, Back-Up Alarm, 12V	1
▲	4	86330	(000000-) Duct, Vinyl	1
▲▽	5	36438	(000000-) Headlight	1
▲▲		36439	(000000-) Lamp	1
▲	6	31922	(000000-) Flasher	1
▲	7	49266	(000000-) Tie, Cable, Nyl, 07.3L .19W 1.8Max D	1
▲	8	55248	(000000-) Mount, Cable Tie	1
▲	9	365202	(000000-) Harness, Alarm, Backup, 8200	1
▲	10	86331	(000000-) Duct, Vinyl	1
▲	11	50616	(000000-) Seal, Ure. 0.38 0.75W 07.3L Adh	1
▲	12	16931	(000000-) Screw, Hex, M8 X 1.25 X 20, 8.8	4
▲	13	32491	(000000-) Washer, Flat, 0.31 Std	4
▲	14	08709	(000000-) Nut, Hex, Lock, M8 X 1.25, NI	2

Fig. 41 - Soft Ride Puncture Proof Tire and Wheel Assembly

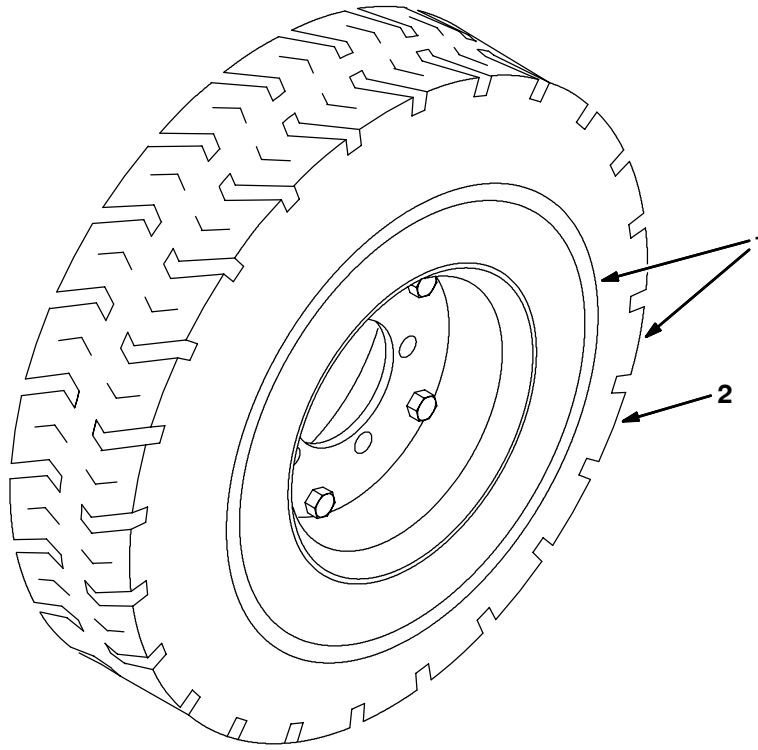


Fig. 41 - Soft Ride Puncture Proof Tire and Wheel Assembly

	Ref.	Part No.	Serial Number	Description	Qty.
▽	1	360296	(000000-) Tire & Wheel Assy	1
▲	2	360162	(000000-) Tire, 4.00X8-3.75 Solid	1

Fig. 42 - Positive Solution Control Drain Kit, Standard

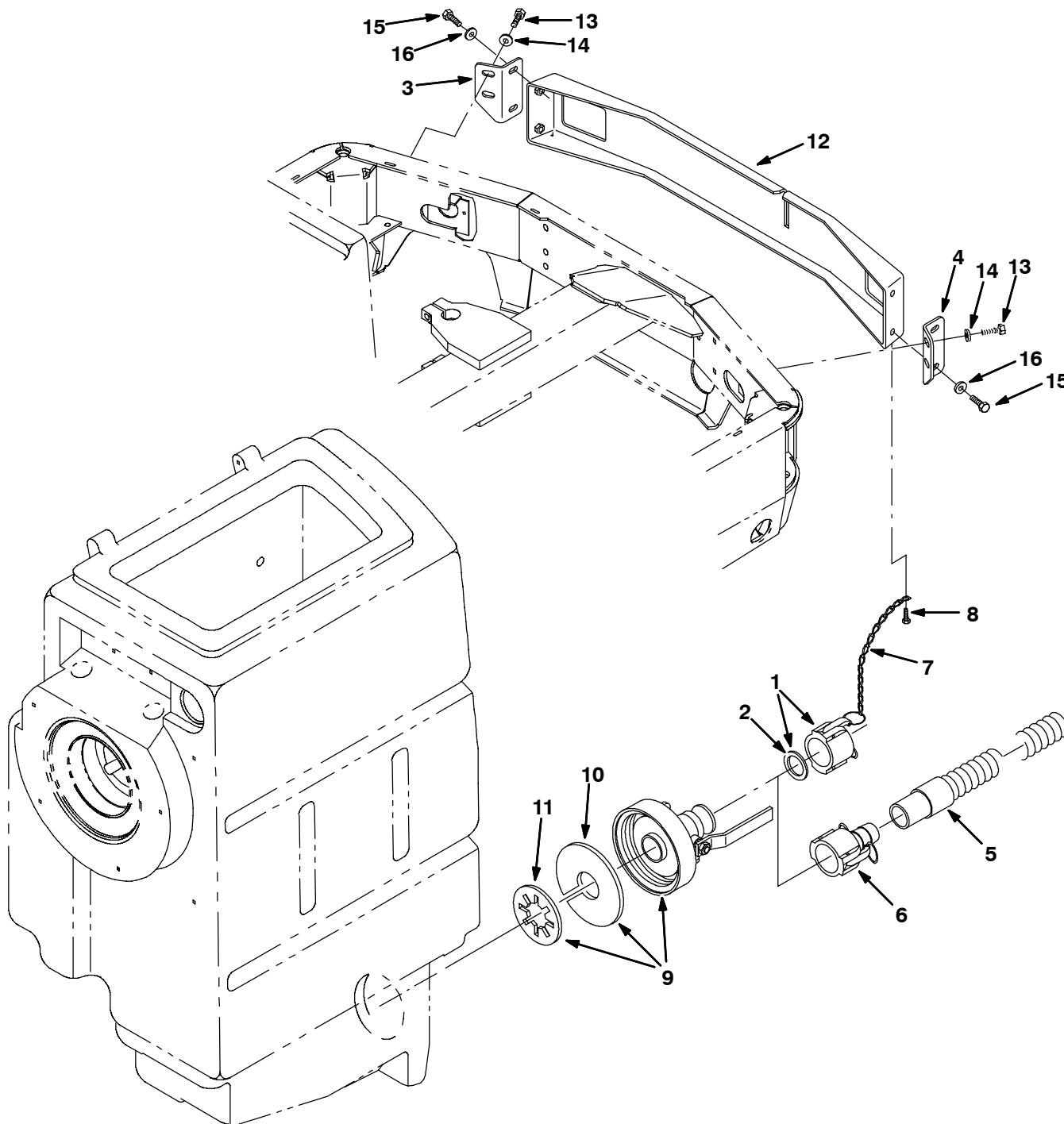


Fig. 42 - Positive Solution Control Drain Kit, Standard

	Ref.	Part No.	Serial Number	Description	Qty.
▽		365099	(000000-) Drain Kit, Solution, Pos Contl	1
▲▽	1	48733	(000000-) Cap, Dust	1
▲▲	2	371905	(000000-) Gasket, Cap, Dust	1
▲	3	365152	(000000-) Bracket, Rear Bumper, Rh	1
▲	4	365153	(000000-) Bracket, Rear Bumper, Lh	1
▲	5	75635AM	(000000-) Hose Assy, W/1cuff, 1.5d 120l 1.5/	1
▲	6	48734	(000000-) Coupling	1
▲	7	19903	(000000-) Chain, Sash	1
▲	8	16944	(000000-) Screw, Hex, Fmg, M04-0.7 X 10	1
▲▽	9	365184	(000000-) Cap Assy	1
▲▲		23456	(000000-) Cap, Drain	1
▲▲		375014	(000000-) Kit, Valve Handle	1
▲▲		374618	(000000-) Kit, Seal, Valve	1
▲▲	10	375201	(000000-) Gasket, Sol Crtl	1
▲▲	11	20932	(000000-) Washer, Polye	1
▲	12	365151	(000000-) Bumper, Rear, Sol Crtl	1
▲	13	03192	(000000-) Screw, Hex, M10 X 1.5 X 30, 8.8	4
▲	14	32492	(000000-) Washer, Flat, 0.38 Std	4
▲	15	16931	(000000-) Screw, Hex, M8 X 1.25 X 20, 8.8	4
▲	16	32491	(000000-) Washer, Flat, 0.31 Std	4

Fig. 43 - Positive Solution Control Drain Kit, ES

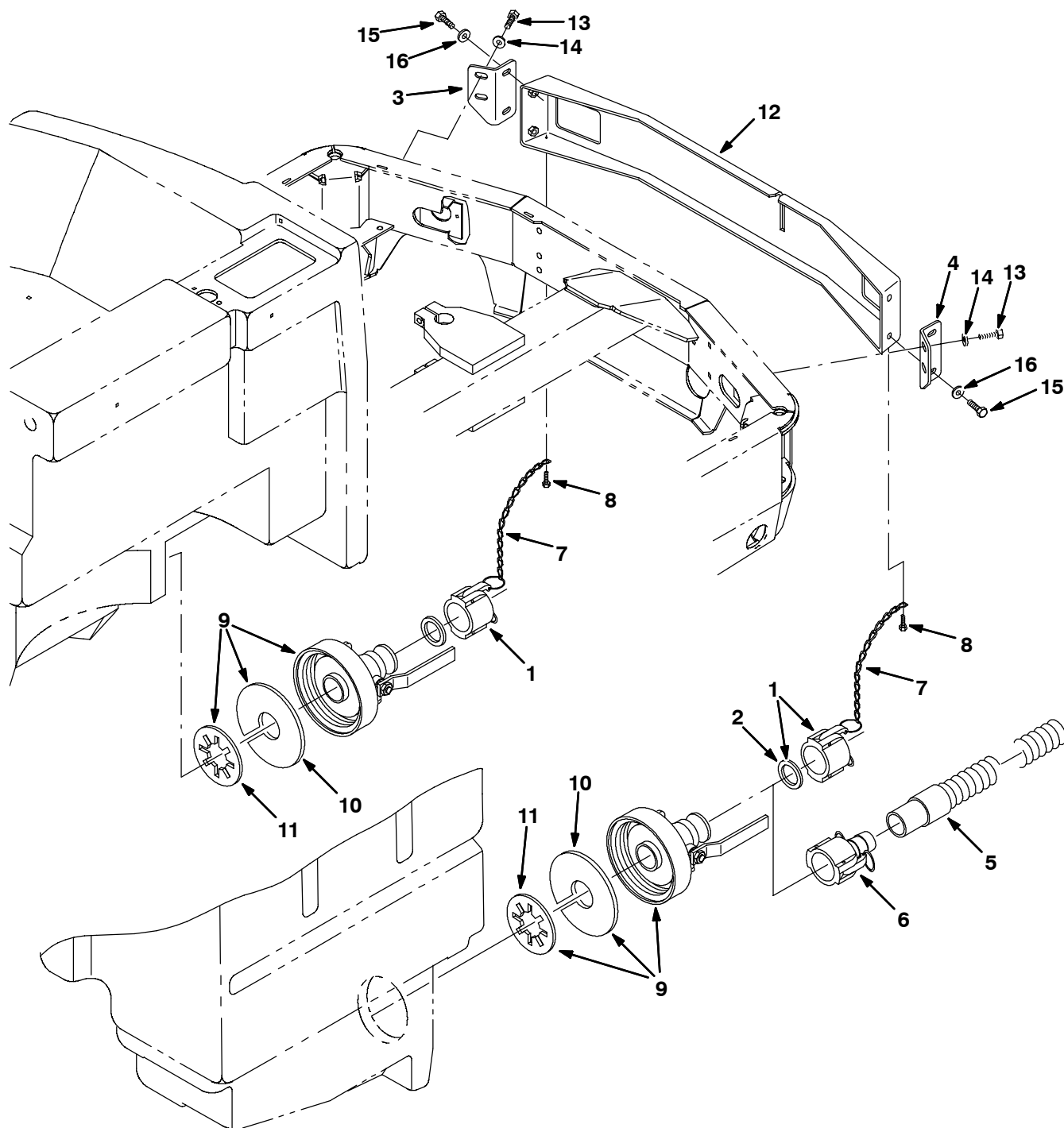
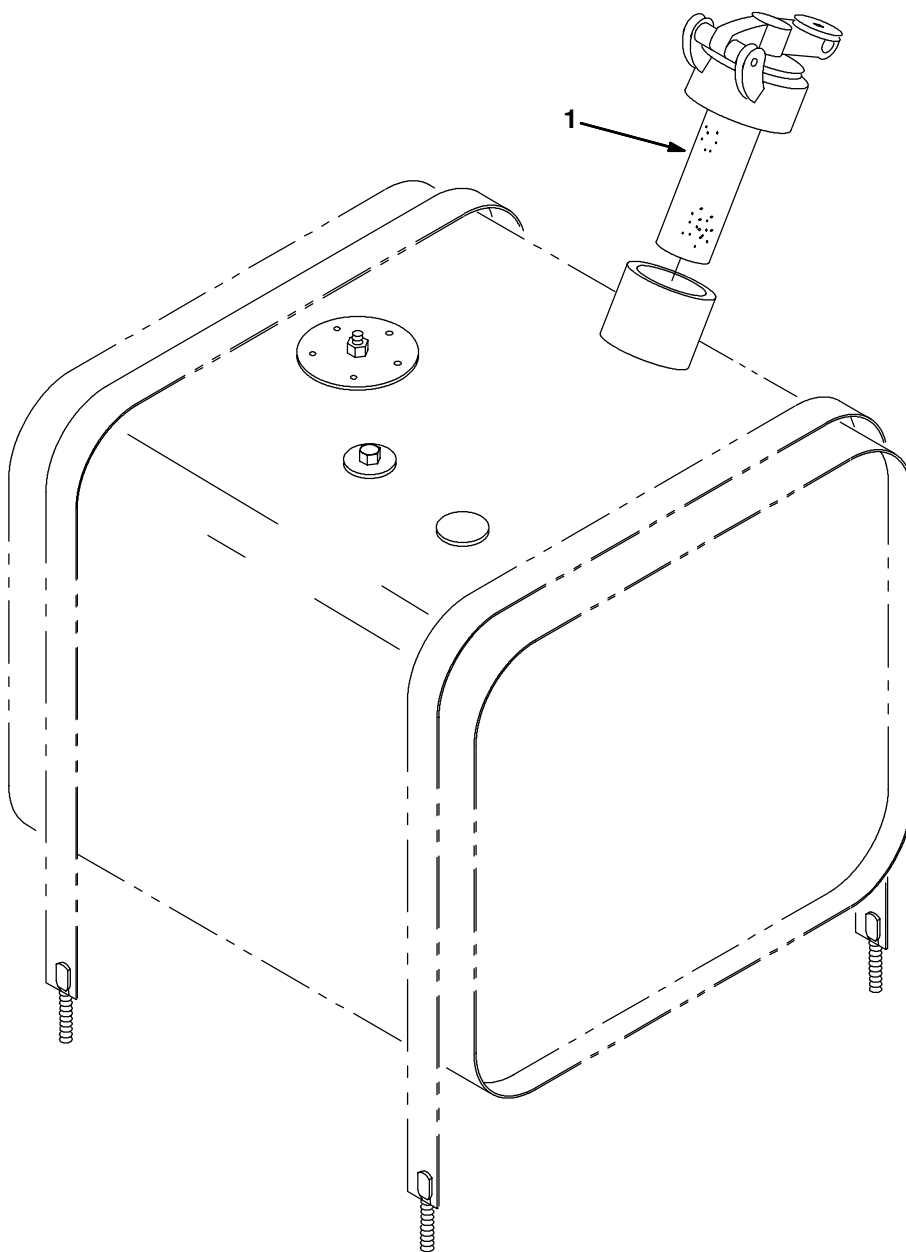


Fig. 43 - Positive Solution Control Drain Kit, ES

	Ref.	Part No.	Serial Number	Description	Qty.
▽		365100	(000000-) Kit, Drain, Solution, Pos Cntrl	1
▲	1	48733	(000000-) Cap, Dust	2
▲	2	371905	(000000-) Gasket, Cap, Dust	1
▲	3	365152	(000000-) Bracket, Rear Bumper, Rh	1
▲	4	365153	(000000-) Bracket, Rear Bumper, Lh	1
▲	5	75635AM	(000000-) Hose Assy, W/1cuff, 1.5d 120l 1.5/	1
▲	6	48734	(000000-) Coupling	1
▲	7	19903	(000000-) Chain, Sash	2
▲	8	16944	(000000-) Screw, Hex, Fmg, M04-0.7 X 10	2
▲▽	9	365184	(000000-) Cap Assy	2
▲▲		23456	(000000-) Cap, Drain	1
▲▲		375014	(000000-) Kit, Valve Handle	1
▲▲		374618	(000000-) Kit, Ball & Seal	1
▲▲	10	365154	(000000-) Gasket, Sol Crtl	1
▲▲	11	20932	(000000-) Washer, Polye	1
▲	12	365151	(000000-) Bumper, Rear, Sol Crtl	1
▲	13	03192	(000000-) Screw, Hex, M10 X 1.5 X 30, 8.8	4
▲	14	32492	(000000-) Washer, Flat, 0.38 Std	4
▲	15	16931	(000000-) Screw, Hex, M8 X 1.25 X 20, 8.8	4
▲	16	32491	(000000-) Washer, Flat, 0.31 Std	4

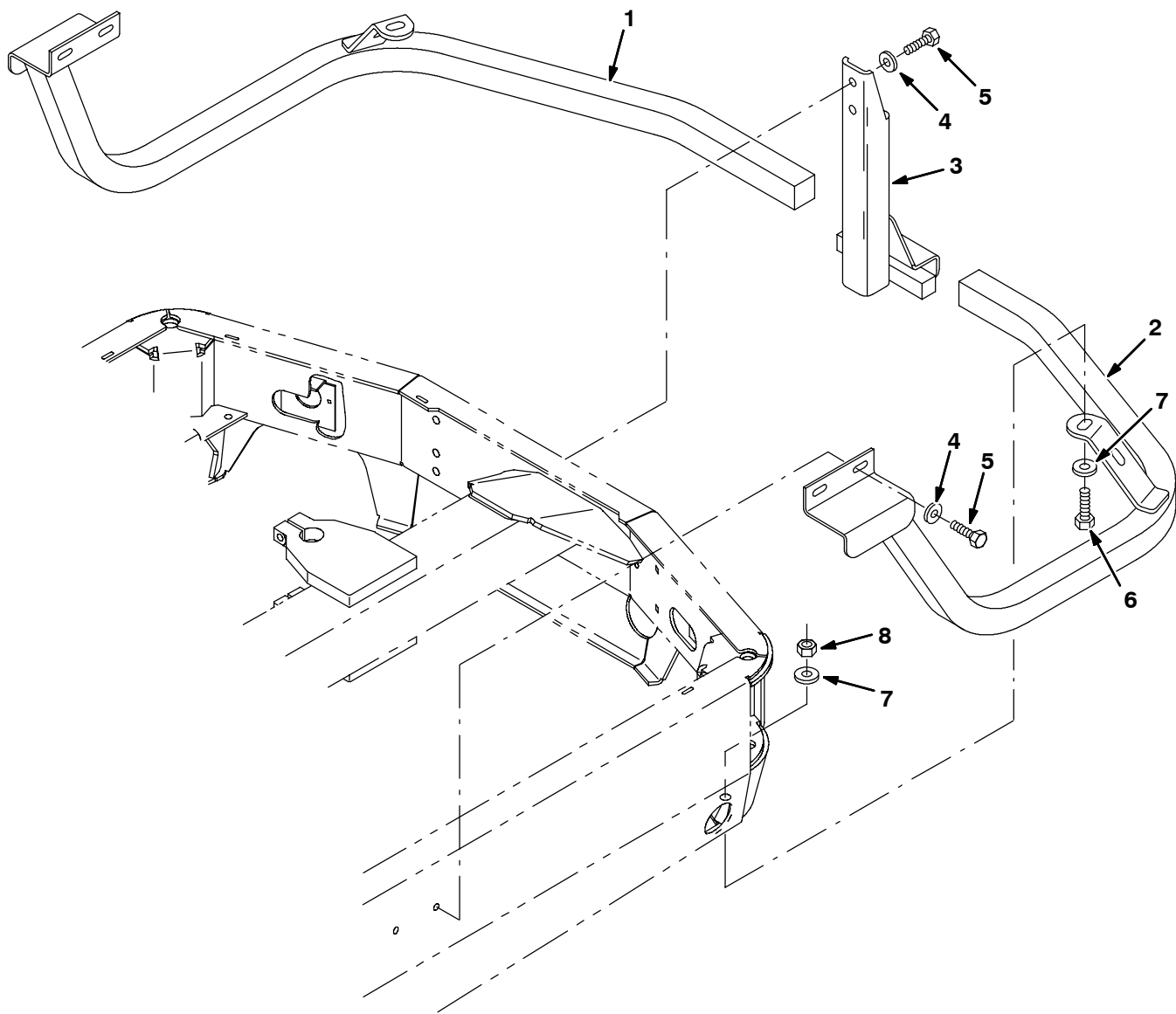
Fig. 44 - Protectoseal Fuel Tank Cap Group



07471 - ALL

Ref.	Part No.	Serial Number	Description	Qty.
1	02506-6	(000000-)	Gas Cap, Protectoseal	1

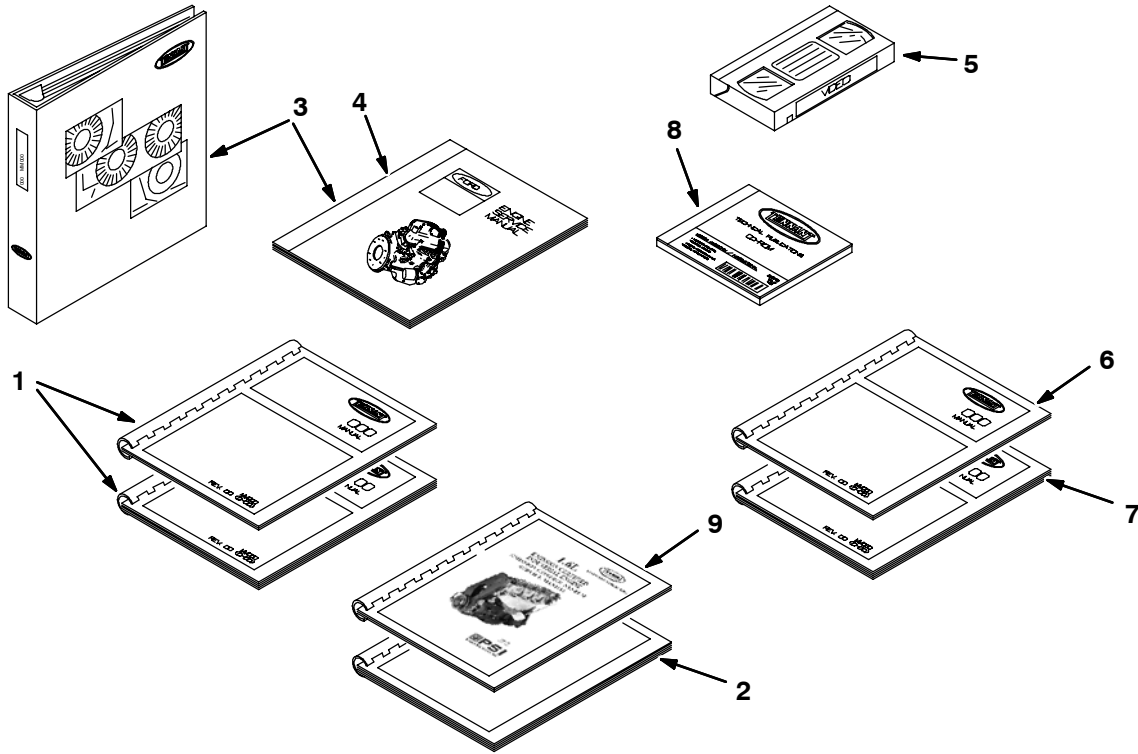
Fig. 45 - Squeegee Guard Kit



352699 - ALL

Ref.	Part No.	Serial Number	Description	Qty.
▽	365321	(000000-)	Squeegee Guard Kit	1
▲	1 365312	(000000-)	Guard Assembly, Rh	1
▲	2 365313	(000000-)	Guard Assembly, Lh	1
▲	3 365317	(000000-)	Tube Assembly	1
▲	4 39346	(000000-)	Washer, Flat	6
▲	5 39284	(000000-)	Screw, Hex	6
▲	6 41346	(000000-)	Screw, Hex	2
▲	7 35843	(000000-)	Washer	4
▲	8 08711	(000000-)	Nut, Hex Lock	2

Fig. 46 - Documentation Group



07501 - 8200, G, LP, NA

Ref.	Part No.	Serial Number	Description	Qty.
1	330060	(000000-) Manual Pkg 8200G	1
2	372863	(020000-) Manual, Service, Eng, [Gm 1.6l Em Cert]	1
▽ 3	330065	(000000-) Manual Ser 8200/8210 G/LP/Die En	1
▲ 4	38978	(000000-) Manual Service VSG Ford	1
5	365097	(000000-) Tape, Video, Operator, 8200	1
6	330062	(000000-) Manual Opmt 8200G Es	1
7	330063	(000000-) Manual Opmt 8200G Fr	1
8	330710	(000000-) Manual, Cd-Rom, Oprtr & Parts, All [Na]	1
9	371790	(020000-) Manual, Service, Eng, [Gm 1.6l]	1

SECTION 4

Contents	Page
Fig. 1 - Hydraulic Piston Pump Breakdown, 364103	4-2
Fig. 2 - Hydraulic Piston Pump Breakdown, 373455	4-4
Fig. 3 - Hydraulic Gear Pump Breakdown, 364102	4-6
Fig. 4 - Hydraulic Gear Pump Breakdown, 364101	4-8
Fig. 5 - Hydraulic Gear Pump Breakdown, 1012092	4-9
Fig. 6 - Hydraulic Motor Breakdown, 22604	4-10
Fig. 7 - Hydraulic Motor Breakdown, 379609	4-12
Fig. 8 - Hydraulic Motor Breakdown, 364104	4-14
Fig. 9 - Hydraulic Motor Breakdown, 364105	4-15
Fig. 10 - Hydraulic Motor Breakdown, 364108	4-16
Fig. 11 - Hydraulic Steering Valve Breakdown, 73093	4-18
Fig. 12 - Hydraulic Motor Breakdown, 364107	4-20
Fig. 13 - Hydraulic Motor Breakdown, 364112	4-21
Fig. 14 - Hydraulic Control Valve Breakdown, 364118	4-22
Fig. 15 - Hydraulic Solenoid Valve Breakdown, 364115	4-24
Fig. 16 - Hydraulic Solenoid Valve Breakdown, 365105	4-26
Fig. 17 - Hydraulic Solenoid Valve Breakdown, 364114	4-28
Fig. 18 - Hydraulic Solenoid Valve Breakdown, 364117	4-30
Fig. 19 - Hydraulic Solenoid Valve Breakdown, 364116	4-32
Fig. 20 - Metering Solution Pump Breakdown, 73260	4-33
Fig. 21 - Pump Breakdown, 364638	4-34

Fig. 1 - Hydraulic Piston Pump Breakdown, 364103

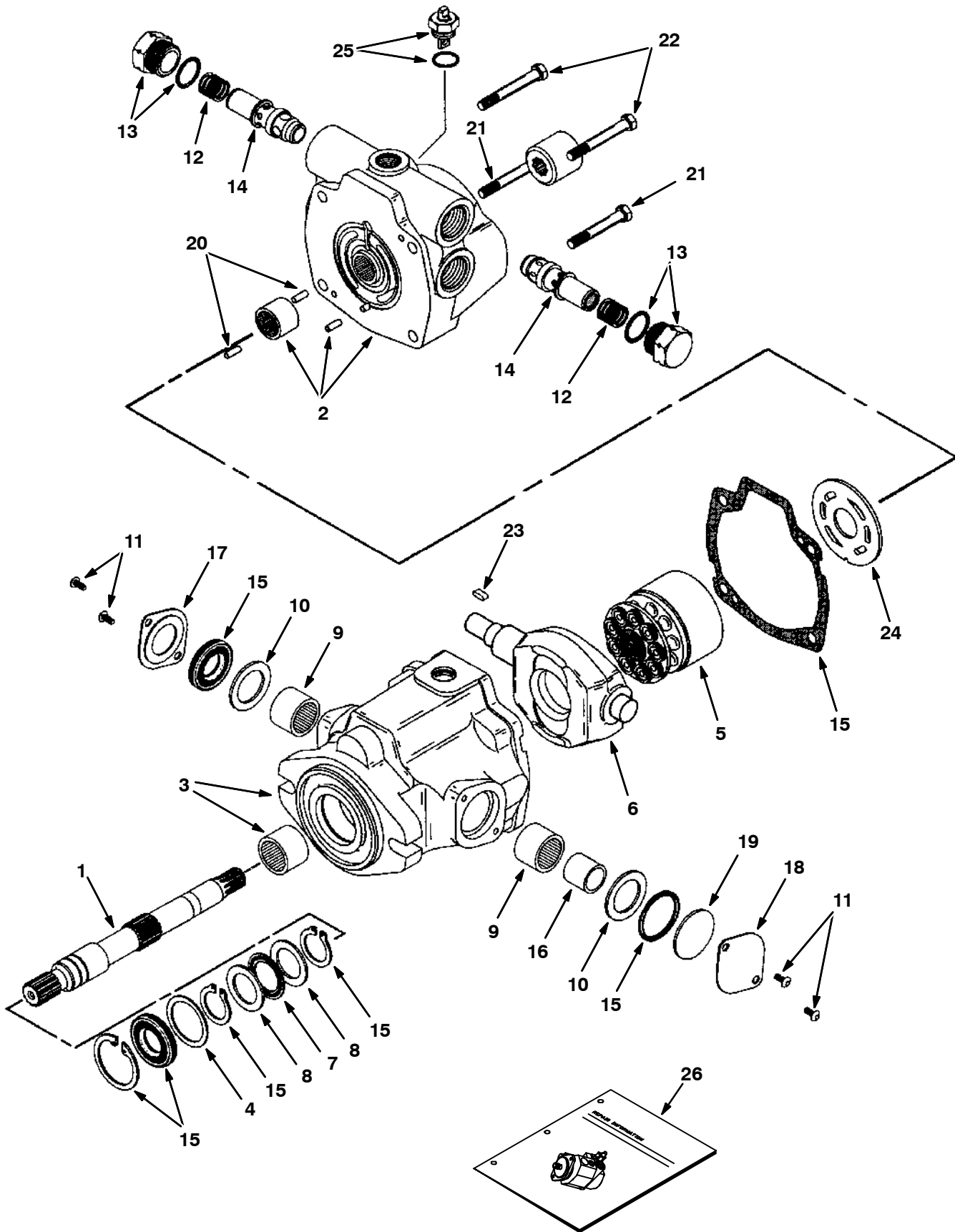


Fig. 1 - Hydraulic Piston Pump Breakdown, 364103

	Ref.	Part No.	Serial Number	Description	Qty.
▽		364103	(000000-) Pump, Hyd Piston V 1.24 R 2750	1
▲	1	21925	(000000-) Shaft, Drive	1
▲	2	21926	(000000-) Backplate Assy	1
▲	3	21927	(000000-) Pump Housing Assy	1
▲	4	70096	(000000-) Washer	1
▲	5	21963	(000000-) Rotating Kit	1
▲	6	57897	(000000-) Camplate	1
▲	7	74225	(000000-) Bearing, Thrust	1
▲	8	74226	(000000-) Race, Bearing	2
▲	9	02709	(000000-) Bearing Cam	2
▲	10	70097	(000000-) Washer	2
▲	11	61891	(000000-) Screws	4
▲	12	74229	(000000-) Spring	2
▲	13	74230	(000000-) Plug S/A	2
▲	14	02650	(000000-) Relief Valve	2
▲	15	70103	(000000-) Seal Kit, Pump	1
▲	16	02705	(000000-) Race, Inner Bearing	1
▲	17	52386	(000000-) Cover	1
▲	18	70098	(000000-) Cover, Trunion	1
▲	19	70099	(000000-) Cover, O-Ring	1
▲	20	70100	(000000-) Pin, Dowel	2
▲	21	21928	(000000-) Screw, Cap	2
▲	22	21929	(000000-) Screw, Cap	2
▲	23	74237	(000000-) Key	1
▲	24	74180	(000000-) Plate, Valve	1
▲	25	74469	(000000-) Valve, Dump	1
▲	26	74248	(000000-) Repair Info, Pump	1

Fig. 2 - Hydraulic Piston Pump Breakdown, 373455

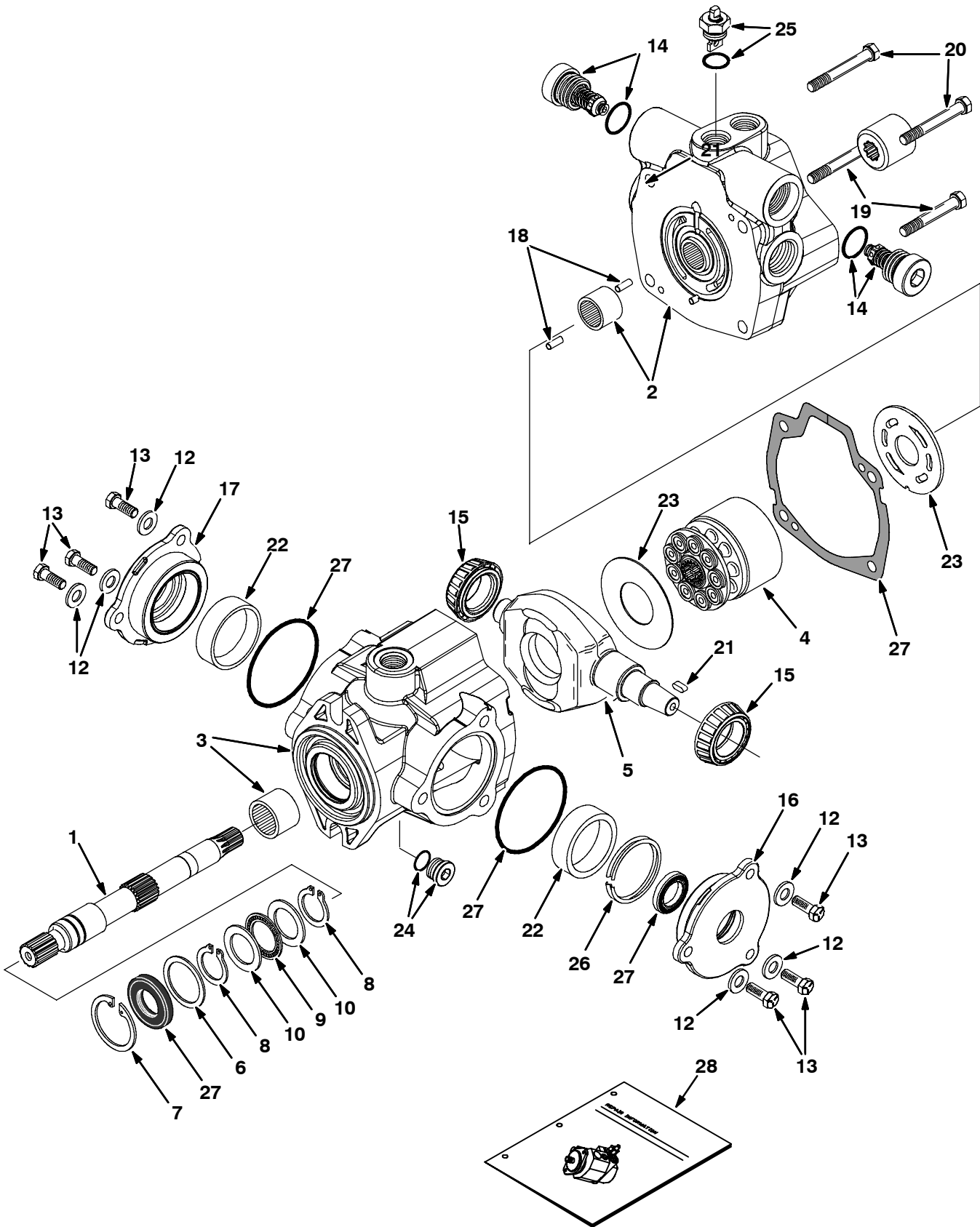


Fig. 2 - Hydraulic Piston Pump Breakdown, 373455

	Ref.	Part No.	Serial Number	Description	Qty.
▽		373455	(000000-) Pump, Hyd, Piston, Var, 1.24 2750, Cw	1
▲	1	21925	(000000-) Shaft, Drive, Pump, Hyd	1
▲	2	373427	(000000-) Cover, End	1
▲	3	373389	(000000-) Housing	1
▲	4	21963	(000000-) Kit, Rotating, Piston, Pump, Hyd	1
▲	5	373493	(000000-) Plate, Cam	1
▲	6	70096	(000000-) Washer, Flat, Pump, Hyd	1
▲	7	55926	(000000-) Ring, Retaining, Pump, Hyd	1
▲	8	373434	(000000-) Ring, Retaining	2
▲	9	74225	(000000-) Bearing, Thrust, Pump, Hyd	1
▲	10	74226	(000000-) Race, Bearing, Pump, Hyd	2
▲	11	373327	(000000-) Insert, Plate, Cam, Pump, Hyd	1
▲	12	373391	(000000-) Washer, Pump, Hyd [En]	6
▲	13	373346	(000000-) Screw, Cap	6
▲	14	373492	(000000-) Valve, Relief, 2750 Psi	2
▲	15	373317	(000000-) Bearing, Cone, Pump, Hyd	2
▲	16	373393	(000000-) Plate, Cover	1
▲	17	373394	(000000-) Plate, Cover	1
▲	18	70100	(000000-) Pin, Dowel, Pump, Hyd	2
▲	19	373347	(000000-) Screw, Cap	2
▲	20	373348	(000000-) Screw, Cap	2
▲	21	74237	(000000-) Key, Shaft, Pump, Hyd	1
▲	22	373395	(000000-) Bearing, Cup	2
▲	23	74180	(000000-) Plate, Valve, Pump, Hyd	1
▲	24	13907	(000000-) Fitting, Plug, O-Ring [En]	1
▲	25	373413	(000000-) Actuator, Valve, Bypass [113393-001] En	1
▲	26	373402	(000000-) Kit, Shim	1
▲	27	373398	(000000-) Kit, Seal, Hyd, Pump	1
▲	28	373429	(000000-) Instr, Repair, Pump	1

Fig. 3 - Hydraulic Gear Pump Breakdown, 364102

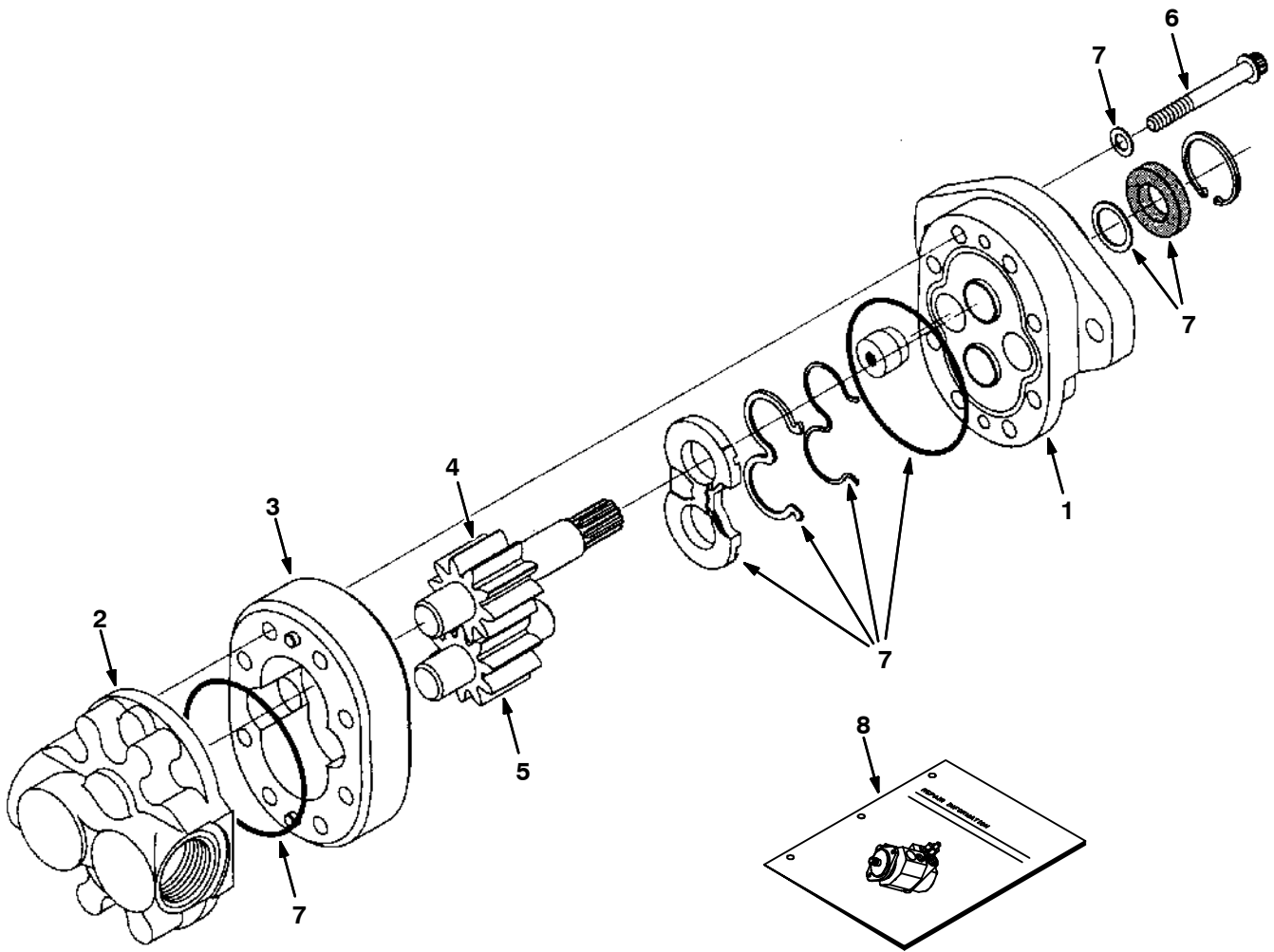
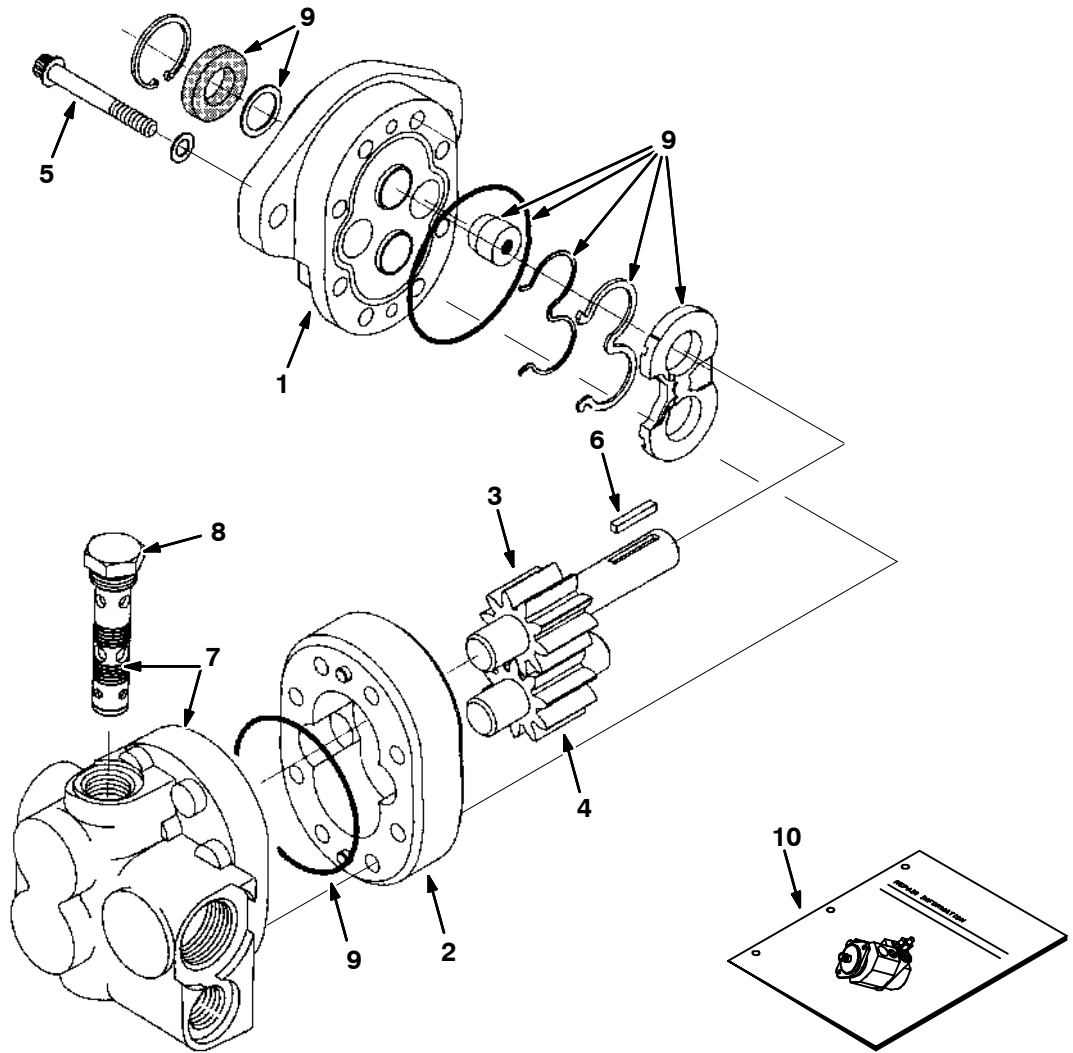


Fig. 3 - Hydraulic Gear Pump Breakdown, 364102

	Ref.	Part No.	Serial Number	Description	Qty.
▽		364102	(000000-) Pump, Hyd Gear	1
▲	1	373201	(000000-) Frontplate Assy	1
▲	2	373202	(000000-) Backplate Assy	1
▲	3	373203	(000000-) Body Assembly	1
▲	4	373204	(000000-) Drive Gear Assy	1
▲	5	373205	(000000-) Idler Gear Assy	1
▲	6	373206	(000000-) Screw, Cap	8
▲	7	373208	(000000-) Seal Kit, Pump	1
▲	8	373207	(000000-) Repair Info,Pmp	1

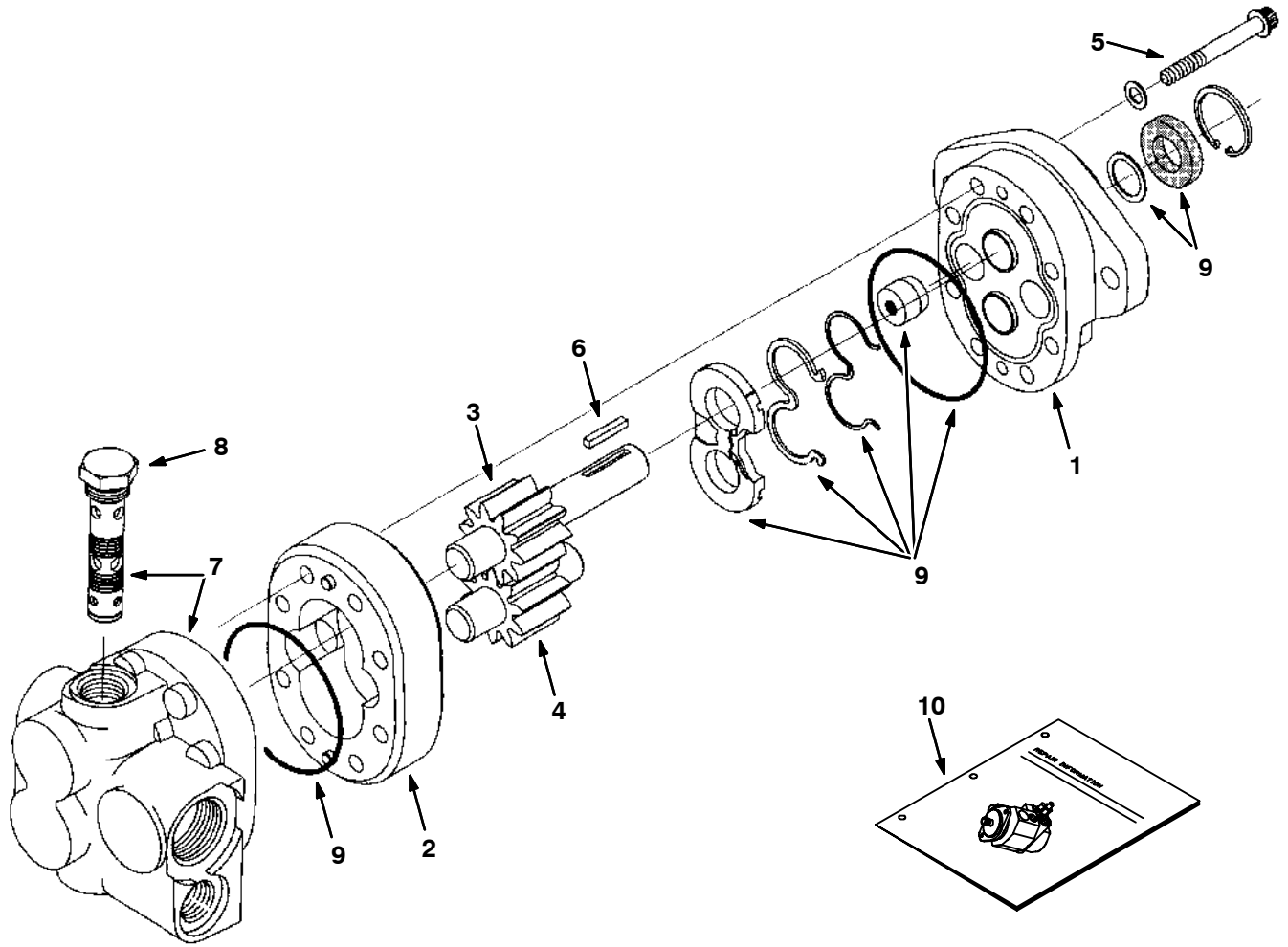
Fig. 4 - Hydraulic Gear Pump Breakdown, 364101



351595 - 09670 - ALL

Ref.	Part No.	Serial Number	Description	Qty.
▽	364101	(000000-) Pump, Hyd Gear	1
▲	1 373201	(000000-) Frontplate Assembly	1
▲	2 373209	(000000-) Body Assembly	1
▲	3 373210	(000000-) Drive Gear Assembly	1
▲	4 373211	(000000-) Idler Gear Assembly	1
▲	5 373212	(000000-) Screw, Cap	8
▲	6 373213	(000000-) Key	1
▲▽	7 373215	(000000-) Backplate Kit	1
▲▲	8 373214	(000000-) Cart, Logic control	1
▲	9 373208	(000000-) Seal Kit	1
▲	10 373207	(000000-) Repair Info	1

Fig. 5 - Hydraulic Gear Pump Breakdown, 1012092



351595 - 09670 - ALL

Ref.	Part No.	Serial Number	Description	Qty.	
▽	1012092	(000000-) Pump, Hyd Gear	1	
▲	1	373201	(000000-) Frontplate Assembly	1
▲	2	373209	(000000-) Body Assembly	1
▲	3	373210	(000000-) Drive Gear Assembly	1
▲	4	373211	(000000-) Idler Gear Assembly	1
▲	5	373212	(000000-) Screw, Cap	8
▲	6	373213	(000000-) Key	1
▲▽	7	373215	(000000-) Backplate Kit	1
▲▲	8	373214	(000000-) Cart, Logic control	1
▲	9	373208	(000000-) Seal Kit	1
▲	10	373207	(000000-) Repair Info	1

Fig. 6 - Hydraulic Motor Breakdown, 22604

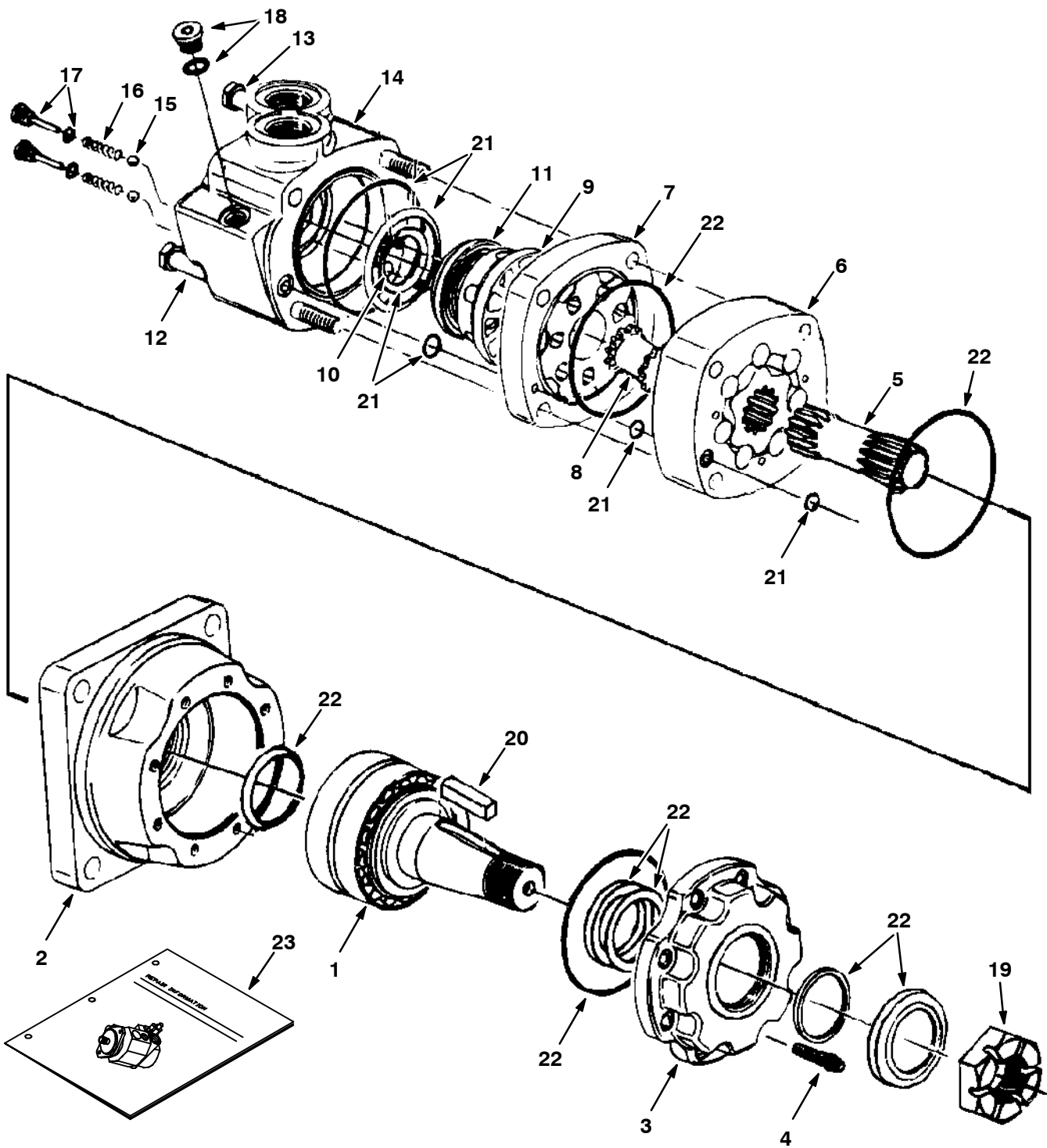


Fig. 6 - Hydraulic Motor Breakdown, 22604

	Ref.	Part No.	Serial Number	Description	Qty.
▽		22604	(000000-) Motor, Hyd Gear	1
▲	1	74165	(000000-) Shaft S/A	1
▲	2	74166	(000000-) Housing, Brg	1
▲	3	74167	(000000-) Retainer, Frt	1
▲	4	74168	(000000-) Screw, Cap	8
▲	5	37616	(000000-) Drive	1
▲	6	37756	(000000-) Geroler	1
▲	7	74122	(000000-) Plate, Valve	1
▲	8	52405	(000000-) Valve	1
▲	9	74123	(000000-) Valve	1
▲	10	34178	(000000-) Spring	2
▲	11	38968	(000000-) Ring	1
▲	12	74125	(000000-) Bolt	3
▲	13	38255	(000000-) Bolt	1
▲	14	74171	(000000-) Housing Assy,	1
▲	15	37766	(000000-) Ball	2
▲	16	34179	(000000-) Spring	2
▲	17	74137	(000000-) Plug Assembly	2
▲	18	74098	(000000-) Plug #4	1
▲	19	45622	(000000-) Nut	1
▲	20	45623	(000000-) Key	1
▲	21	33580	(000000-) Seal Kit, Rear	1
▲	22	79828	(000000-) Seal Kit, Shaft	1
▲	23	74249	(000000-) Instr. Repair Info, Motor	1

Fig. 7 - Hydraulic Motor Breakdown, 379609

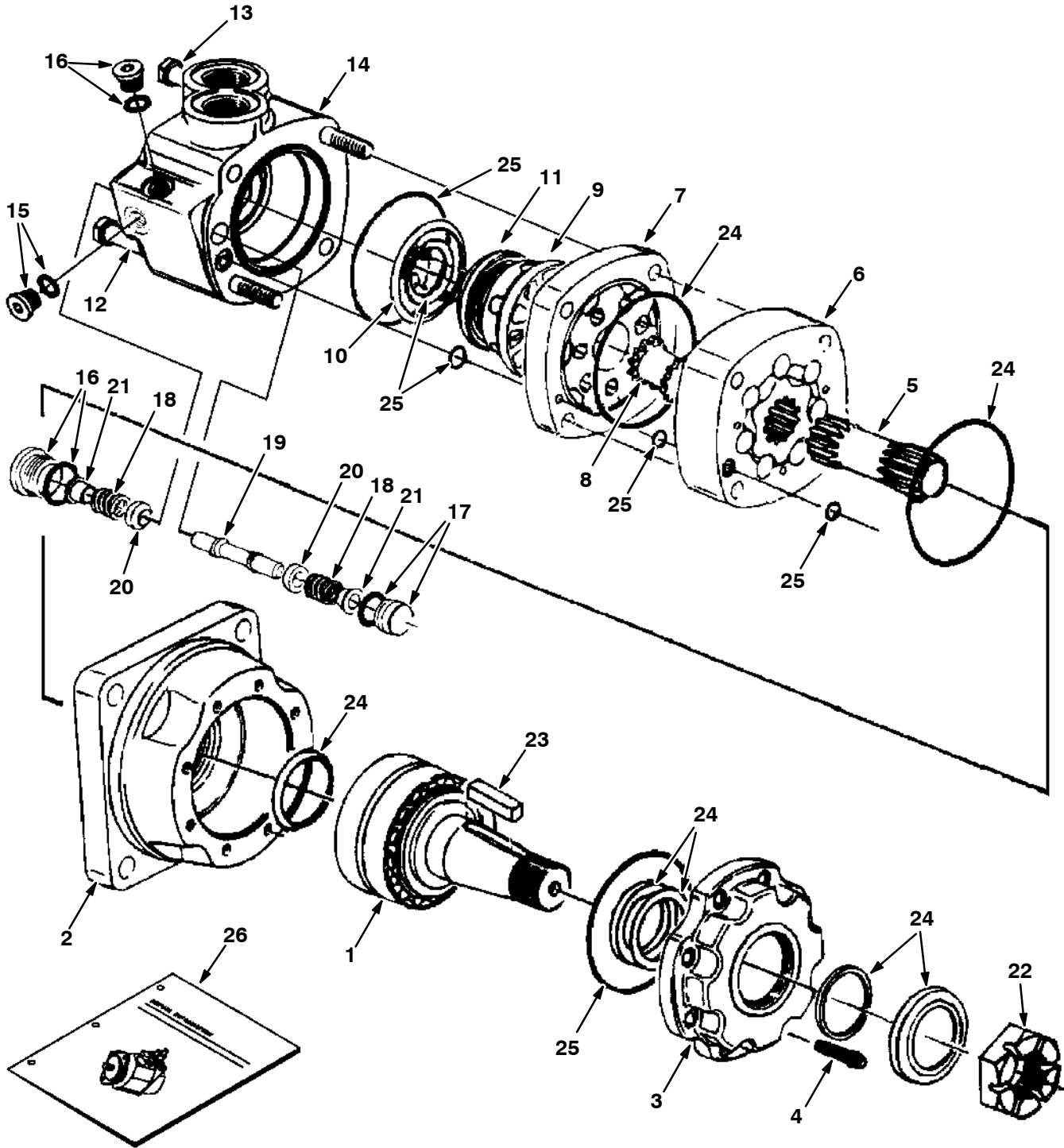
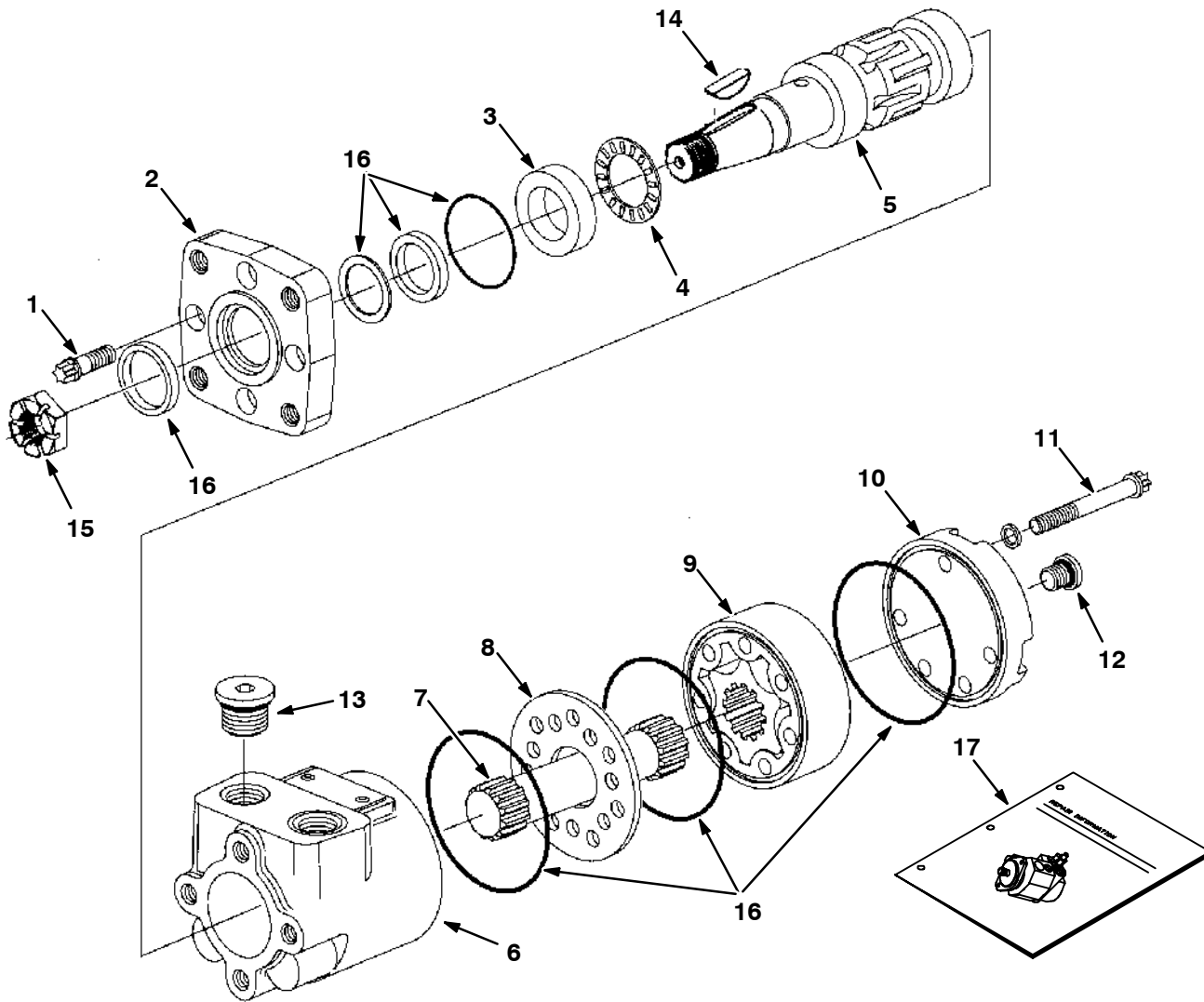


Fig. 7 - Hydraulic Motor Breakdown, 379609

Ref.	Part No.	Serial Number	Description	Qty.
▽	379609	(000000-) Motor, Hyd, Gear, [Int], 19.0 X 3000	1
▲	1 74165	(000000-) Shaft, Motor, Hyd	1
▲	2 74166	(000000-) Housing, Brg, Motor, Hyd	1
▲	3 74167	(000000-) Retainer, Motor, Hyd	1
▲	4 74168	(000000-) Screw, Cap, Motor, Hyd	8
▲	5 37616	(000000-) Drive, Motor, Hyd	1
▲	6 37756	(000000-) Geroler, Motor, Hyd	1
▲	7 74122	(000000-) Plate, Valve, Motor, Hyd	1
▲	8 52405	(000000-) Valve, Motor, Hyd	1
▲	9 74123	(000000-) Valve, Motor, Hyd	1
▲	10 34178	(000000-) Spring, Motor, Hyd	2
▲	11 38968	(000000-) Ring, Motor, Hyd	1
▲	12 74125	(000000-) Bolt, Motor, Hyd	3
▲	13 38255	(000000-) Bolt, Motor, Hyd	1
▲	14 373297	(000000-) Housing, Valve	1
▲	15 373298	(000000-) Plug	1
▲	16 373260	(000000-) Plug, Pump, Hyd, Gear	2
▲	17 373299	(000000-) Plug	1
▲	18 373291	(000000-) Spring	2
▲	19 373217	(000000-) Piston, Pump, Hyd, Gear	1
▲	20 373226	(000000-) Poppet, Pump, Hyd, Gear	2
▲	21 373236	(000000-) Sleeve, Dashpo, Pump, Hyd, Gear	2
▲	22 45622	(000000-) Nut, Motor, Hyd	1
▲	23 45623	(000000-) Key, Motor, Hyd	1
▲	24 79828	(000000-) Kit, Seal, Motor, Hyd	1
▲	25 33580	(000000-) Kit, Seal, Motor, Hyd	1
	26 79729	(000000-) Instr, Repair, Motor, Hyd, Gear	1

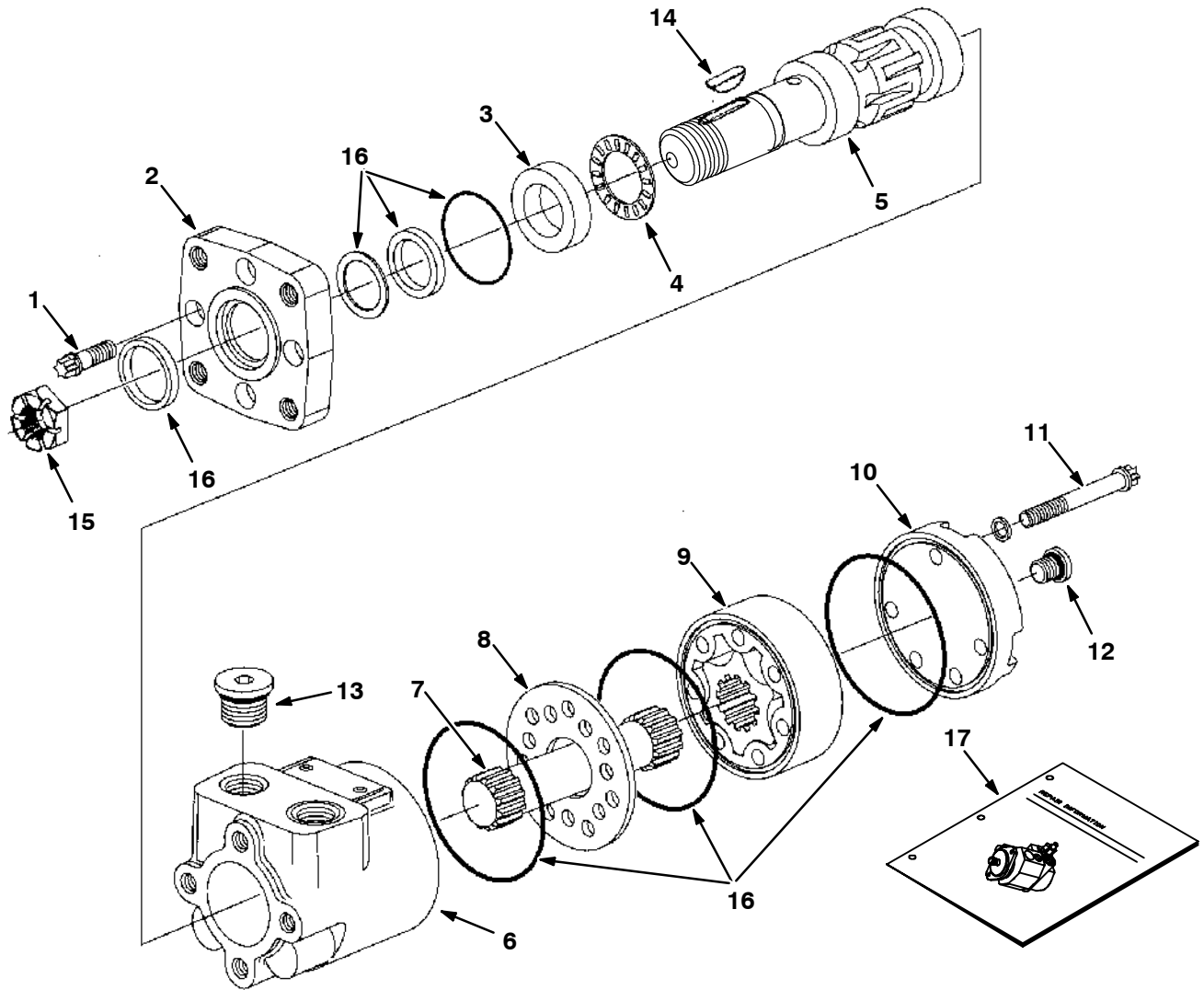
Fig. 8 - Hydraulic Motor Breakdown, 364104



09606 - 09670 - ALL

Ref.	Part No.	Serial Number	Description	Qty.	
▽	364104	(000000-) Motor, Hyd Gear In 02.8 B 1500	1	
▲	1	37555	(000000-) Cap, Screw	4
▲	2	31354	(000000-) Flange Mounting	1
▲	3	16695	(000000-) Race Thrust	1
▲	4	45628	(000000-) Thrust Bearing	1
▲	5	31375	(000000-) Shaft, Output	1
▲	6	74100	(000000-) Housing	1
▲	7	31379	(000000-) Drive	1
▲	8	74094	(000000-) Spacer Plate	1
▲	9	27763	(000000-) Gerotor Set	1
▲	10	74095	(000000-) End, Cap	1
▲	11	65241	(000000-) Cap, Screw	5
▲	12	74098	(000000-) Plug Assembly	1
▲	13	74099	(000000-) Plug Assembly	2
▲	14	00500-15	(000000-) Key-Wdruff 0.25 1.00	1
▲	15	39527	(000000-) Nut-Hxslot .75-16 Pltd	1
▲	16	28835	(000000-) Seal Replmt Kit	1
▲	17	74250	(000000-) Instruction, Repair, Motor	1

Fig. 9 - Hydraulic Motor Breakdown, 364105



09610 - 09670 - ALL

Ref.	Part No.	Serial Number	Description	Qty.	
▽	364105	(000000-) Motor, Hyd Gear In 07.3 B 1500	1	
▲	1	37555	(000000-) Cap, Screw	4
▲	2	22609	(000000-) Flange Mounting	1
▲	3	16695	(000000-) Race Thrust	1
▲	4	45628	(000000-) Thrust Bearing	1
▲	5	22614	(000000-) Shaft, Output	1
▲	6	74100	(000000-) Housing	1
▲	7	34176	(000000-) Drive	1
▲	8	74094	(000000-) Spacer Plate	1
▲	9	31381	(000000-) Gerotor Set	1
▲	10	74095	(000000-) End, Cap	1
▲	11	74174	(000000-) Cap, Screw	5
▲	12	74098	(000000-) Plug Assembly	1
▲	13	74099	(000000-) Plug Assembly	2
▲	14	00500-15	(000000-) Key-Wdruff 0.25 1.00	1
▲	15	39527	(000000-) Nut-Hxslot .75-16 Pltd	1
▲	16	22615	(000000-) Seal Replmt Kit	1
▲	17	74250	(000000-) Instruction, Repair, Motor	1

Fig. 10 - Hydraulic Motor Breakdown, 364108

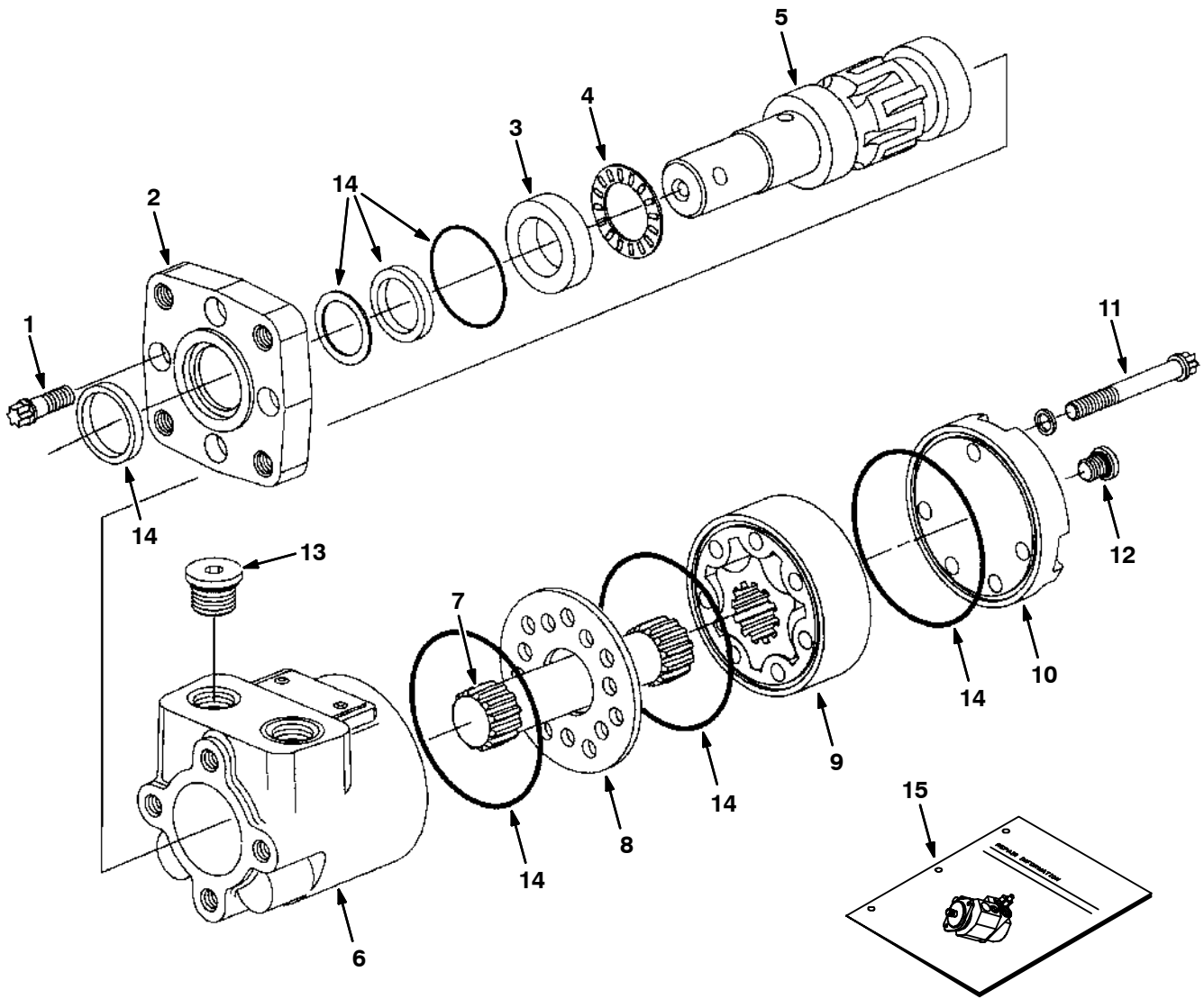


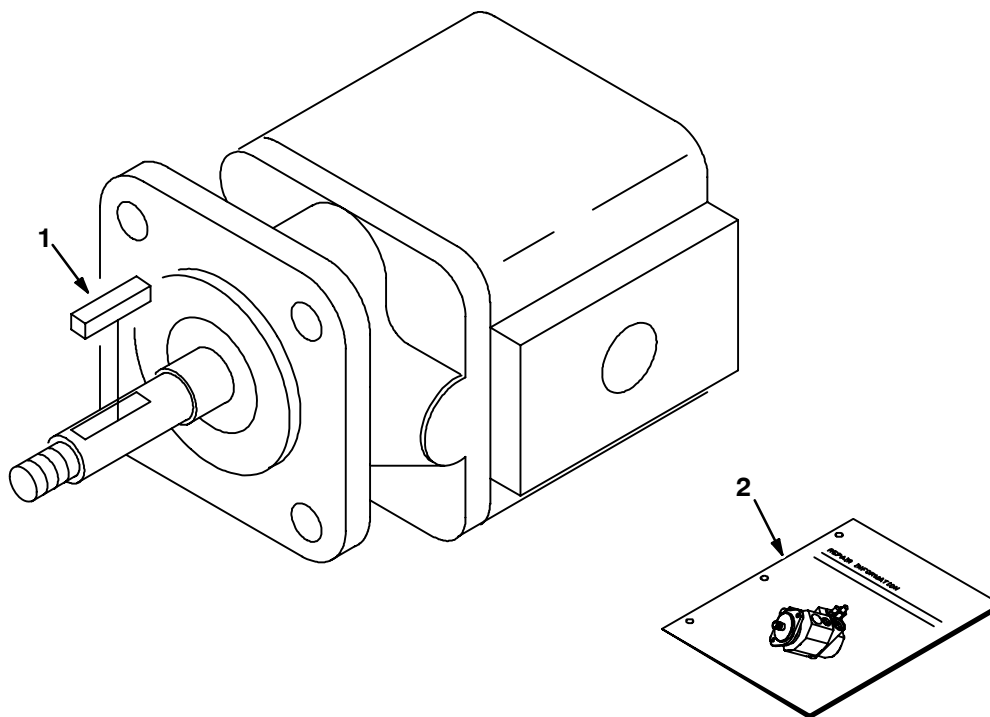
Fig. 10 - Hydraulic Motor Breakdown, 364108

	Ref.	Part No.	Serial Number	Description	Qty.
▽		364108	(000000-) Motor, Hyd Gear In 14.1 B 1500	1
▲	1	37555	(000000-) Screw	4
▲	2	22609	(000000-) Flg, Mtg 4-Bolt	1
▲	3	16695	(000000-) Race Thrust	1
▲	4	45628	(000000-) Bearing, Thrust	1
▲	5	22621	(000000-) Shaft, Output	1
▲	6	74100	(000000-) Housing	1
▲	7	31377	(000000-) Drive	1
▲	8	74094	(000000-) Spacer	1
▲	9	31384	(000000-) Gerotor Set	1
▲	10	74095	(000000-) End Cap	1
▲	11	22622	(000000-) Cap Screw	5
▲	12	74098	(000000-) Plug	1
▲	13	74099	(000000-) Plug	2
▲	14	22615	(000000-) Seal Kit, Motor	1
▲	15	74250	(000000-) Instruction, Repair, Motor	1

Fig. 11 - Hydraulic Steering Valve Breakdown, 73093

	Ref.	Part No.	Serial Number	Description	Qty.
▽		73093	(000000-) Steer Control, NYD#2 06.1 1000	1
▲	1	74183	(000000-) Screw, Cap	7
▲	2	74185	(000000-) Cap, End	1
▲	3	74192	(000000-) Gerotor S/A	1
▲	4	74193	(000000-) Spacer	1
▲	5	74222	(000000-) Plate, Wear	1
▲	6	74231	(000000-) Drive	1
▲	7	74232	(000000-) Pin	1
▲	8	74234	(000000-) Race, Bearing	2
▲	9	74236	(000000-) Bearing	1
▲	10	74241	(000000-) Plug Assy	1
▲	11	74242	(000000-) Ball	1
▲	12	74243	(000000-) Ring, Retaining	1
▲	13	74196	(000000-) Spring Kit, Scu	1
▲	14	74244	(000000-) Seal Kit, Stg	1
▲	15	74245	(000000-) Repair Info	1

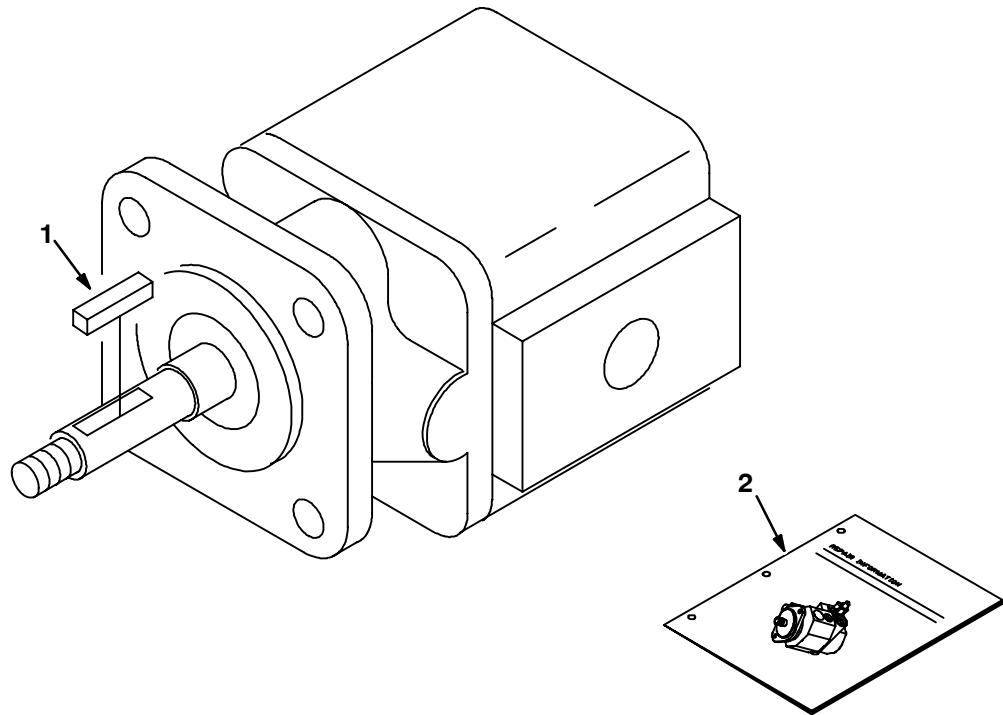
Fig. 12 - Hydraulic Motor Breakdown, 364107



09664 - 09670 - ALL

Ref.	Part No.	Serial Number	Description	Qty.
▽	364107	(000000-) Motor, Hyd Gear Ex 0.13 B 3000	1
▲	1 00954	(000000-) Key Square 0.12 0.12 01.00 Lg	1
▲	74233	(000000-) Seal Kit, Hyd Mtr Gear	1
▲	2 IB3614	(000000-) Repair Info.	1

Fig. 13 - Hydraulic Motor Breakdown, 364112



09664 - 09670 - ALL

Ref.	Part No.	Serial Number	Description	Qty.
▽	364112	(000000-) Motor, Hyd Gear Ex 0.23 B 3000	1
▲	1 00954	(000000-) Key Square 0.12 0.12 01.00 Lg	1
▲	74233	(000000-) Seal Kit, Hyd Mtr Gear	1
▲	2 IB3614	(000000-) Repair Info.	1

Fig. 14 - Hydraulic Control Valve Breakdown, 364118

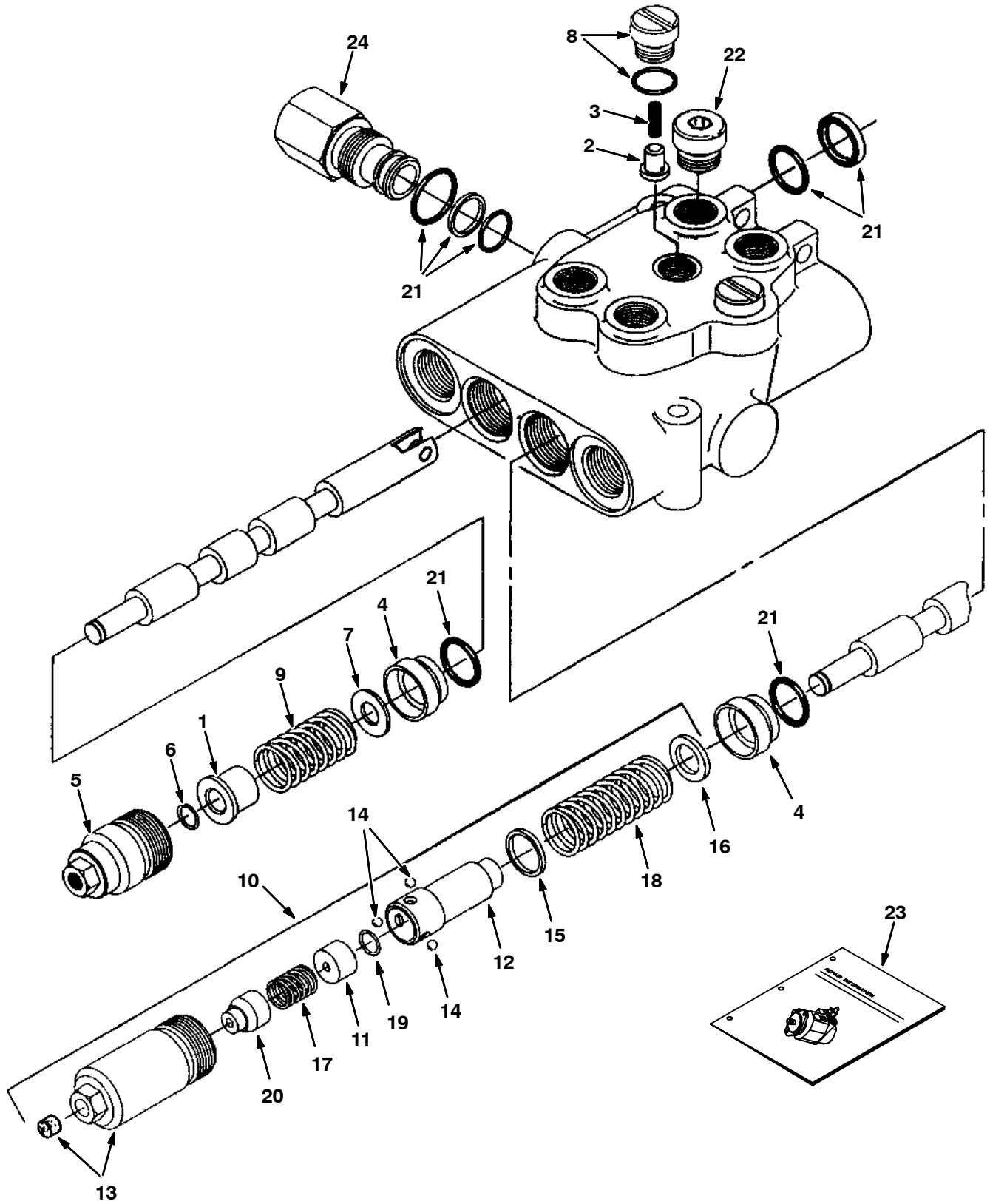


Fig. 14 - Hydraulic Control Valve Breakdown, 364118

	Ref.	Part No.	Serial Number	Description	Qty.
▽		364118	(000000-) Valve, Hyd Control Man	1
▲	1	79785	(000000-) Spacer	1
▲	2	79786	(000000-) Plunger	2
▲	3	79787	(000000-) Spring	2
▲	4	79788	(000000-) Bushing	2
▲	5	79789	(000000-) Cap Assembly	1
▲	6	79792	(000000-) Ring, Retaining	1
▲	7	79794	(000000-) Washer	1
▲	8	79795	(000000-) Plug & O-Ring	2
▲	9	79796	(000000-) Spring	1
▲▽	10	79814	(000000-) Kit, Detent In	1
▲▲	11	79801	(000000-) Spacer	1
▲▲	12	79802	(000000-) Detent Adaptr	1
▲▲	13	21961	(000000-) Cap Assembly	1
▲▲	14	79804	(000000-) Ball	3
▲▲	15	79805	(000000-) Washer	1
▲▲	16	22602	(000000-) Washer	1
▲▲	17	79807	(000000-) Spring	1
▲▲	18	79808	(000000-) Spring	1
▲▲	19	79792	(000000-) Ring, Retaining	1
▲▲	20	79800	(000000-) Cone	1
▲	21	79812	(000000-) Seal Kit, Vlv	1
▲	22	13904	(000000-) Plug Gage #6	2
▲	23	79820	(000000-) Instr. Valve Repair Info	1
	24	79823	(000000-) Plug Assy,Byd	1

Fig. 15 - Hydraulic Solenoid Valve Breakdown, 364115

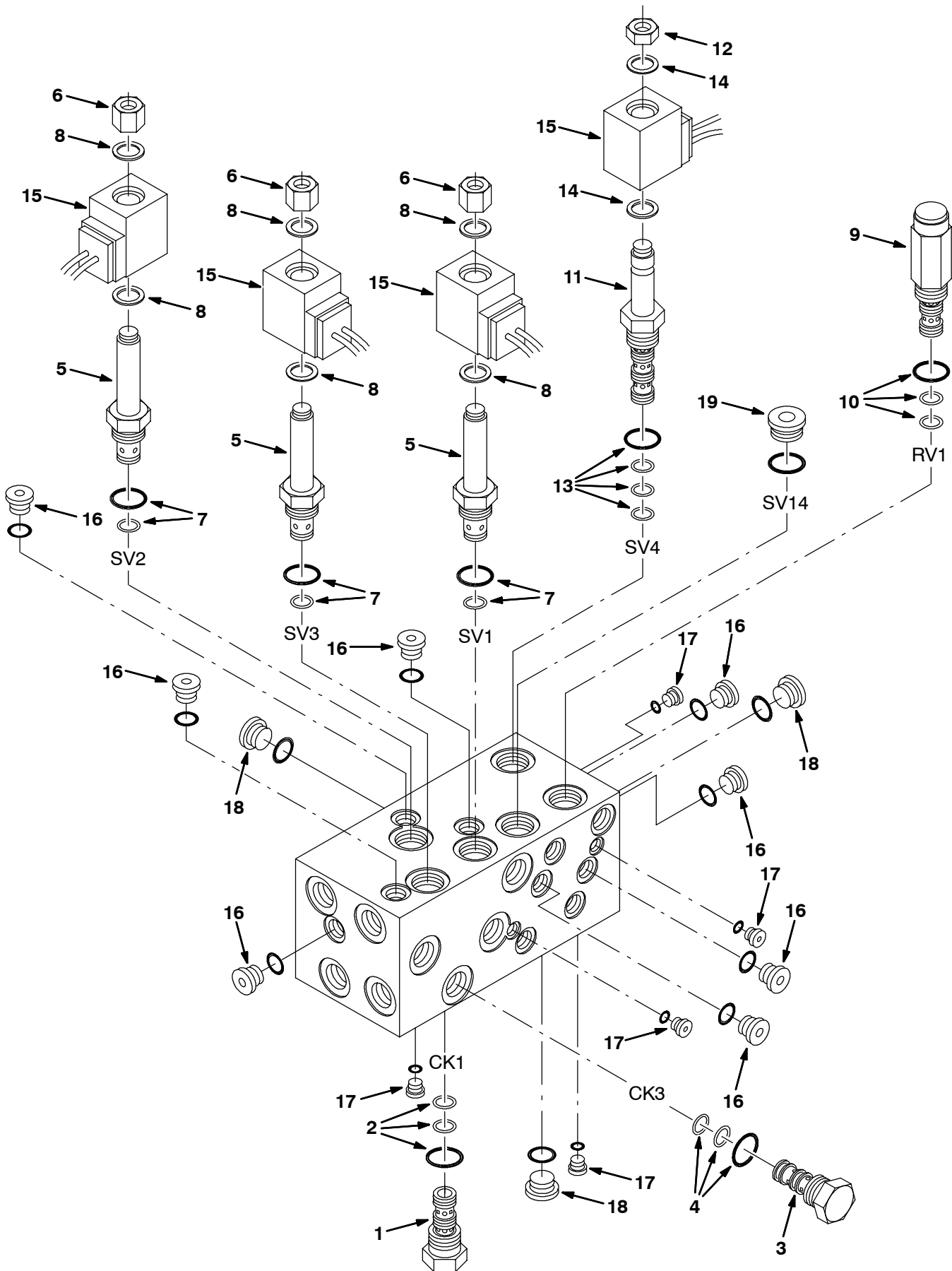


Fig. 15 - Hydraulic Solenoid Valve Breakdown, 364115

	Ref.	Part No.	Serial Number	Description	Qty.
▽		364115	(000000-) Valve, Hyd Control Sol	1
▲▽	1	21919	(000000-) Cart, Pilot Chk	1
▲▲	2	79711	(000000-) Seal Kit, Cart	1
▲▽	3	74146	(000000-) Cart, Check Valve	1
▲▲	4	79711	(000000-) Seal Kit, Cart	1
▲▽	5	79739	(000000-) Valve, Stem	3
▲▲	6	79731	(000000-) Nut	1
▲▲	7	79711	(000000-) Seal Kit, Cart	1
▲▲	8	79740	(000000-) Seal Kit, Coil	1
▲▽	9	22649	(000000-) Cart, Psi Cn	1
▲▲	10	79711	(000000-) Seal Kit, Cart	1
▲▲	11	79719	(000000-) Valve Stem 4W2P	1
▲▲	12	79728	(000000-) Nut	1
▲▲	13	79711	(000000-) Seal Kit, Cart	1
▲▲	14	79740	(000000-) Seal Kit, Coil	1
▲	15	21916	(000000-) Solenoid, 12V	4
▲	16	74098	(000000-) Plug	8
▲	17	13902	(000000-) Plug	5
▲	18	13904	(000000-) Plug, Gauge	3
▲	19	74099	(000000-) Plug	1

Fig. 16 - Hydraulic Solenoid Valve Breakdown, 365105

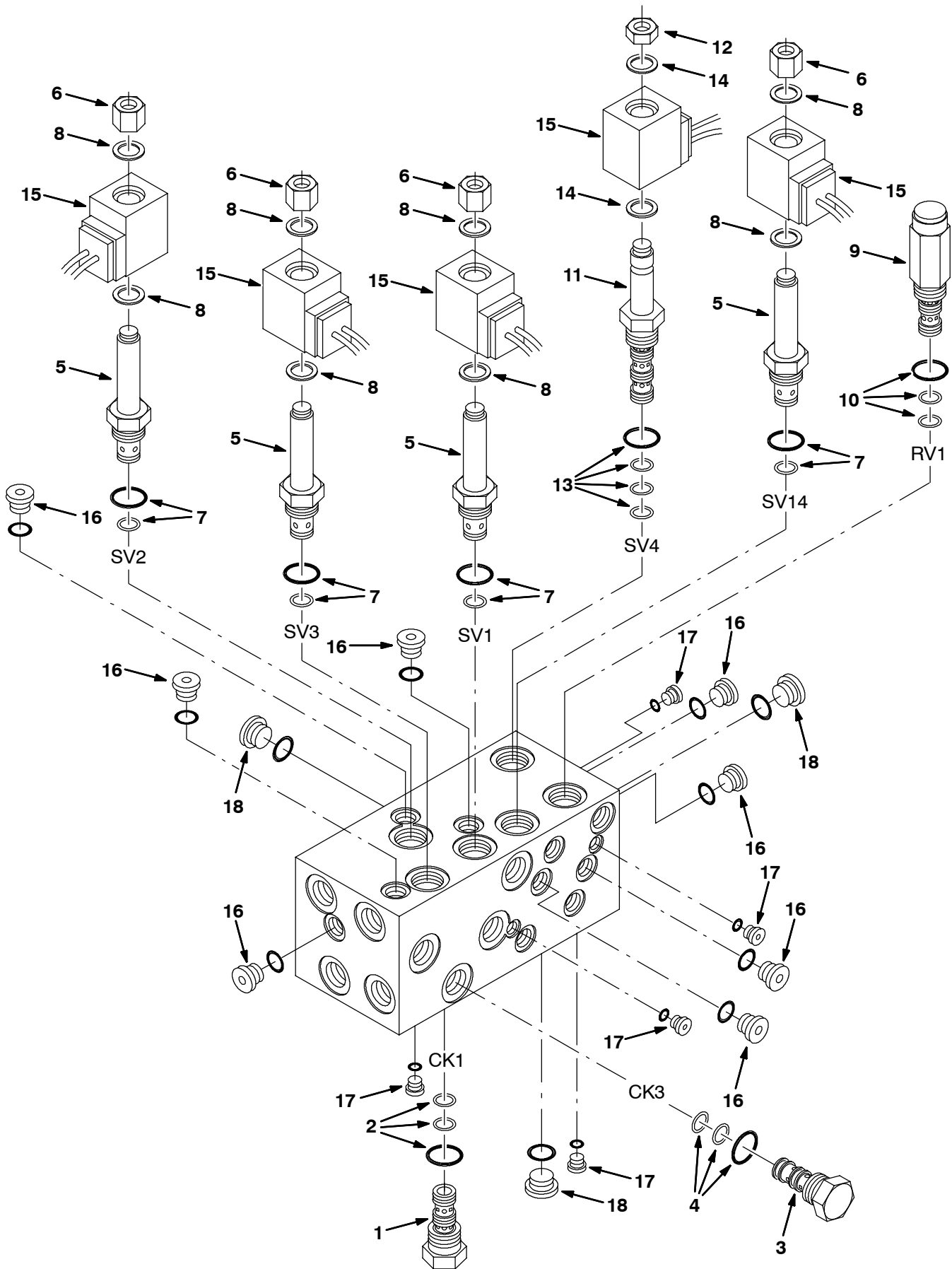


Fig. 16 - Hydraulic Solenoid Valve Breakdown, 365105

	Ref.	Part No.	Serial Number	Description	Qty.
▽		365105	(000000-) Valve, Hyd Control Sol	1
▲▽	1	21919	(000000-) Cart, Pilot Chk	1
▲▲	2	79711	(000000-) Seal Kit, Cart	1
▲▽	3	74146	(000000-) Cart, Check Valve	1
▲▲	4	79711	(000000-) Seal Kit, Cart	1
▲▽	5	79739	(000000-) Valve, Stem	4
▲▲	6	79731	(000000-) Nut	1
▲▲	7	79711	(000000-) Seal Kit, Cart	1
▲▲	8	79740	(000000-) Seal Kit, Coil	1
▲▽	9	22649	(000000-) Cart, Psi Cn	1
▲▲	10	79711	(000000-) Seal Kit, Cart	1
▲▽	11	79719	(000000-) Valve Stem 4W2P	1
▲▲	12	79728	(000000-) Nut	1
▲▲	13	79711	(000000-) Seal Kit, Cart	1
▲▲	14	79740	(000000-) Seal Kit, Coil	1
▲	15	21916	(000000-) Solenoid, 12V	5
▲	16	74098	(000000-) Plug	8
▲	17	13902	(000000-) Plug	5
▲	18	13904	(000000-) Plug, Gauge	3

Fig. 17 - Hydraulic Solenoid Valve Breakdown, 364114

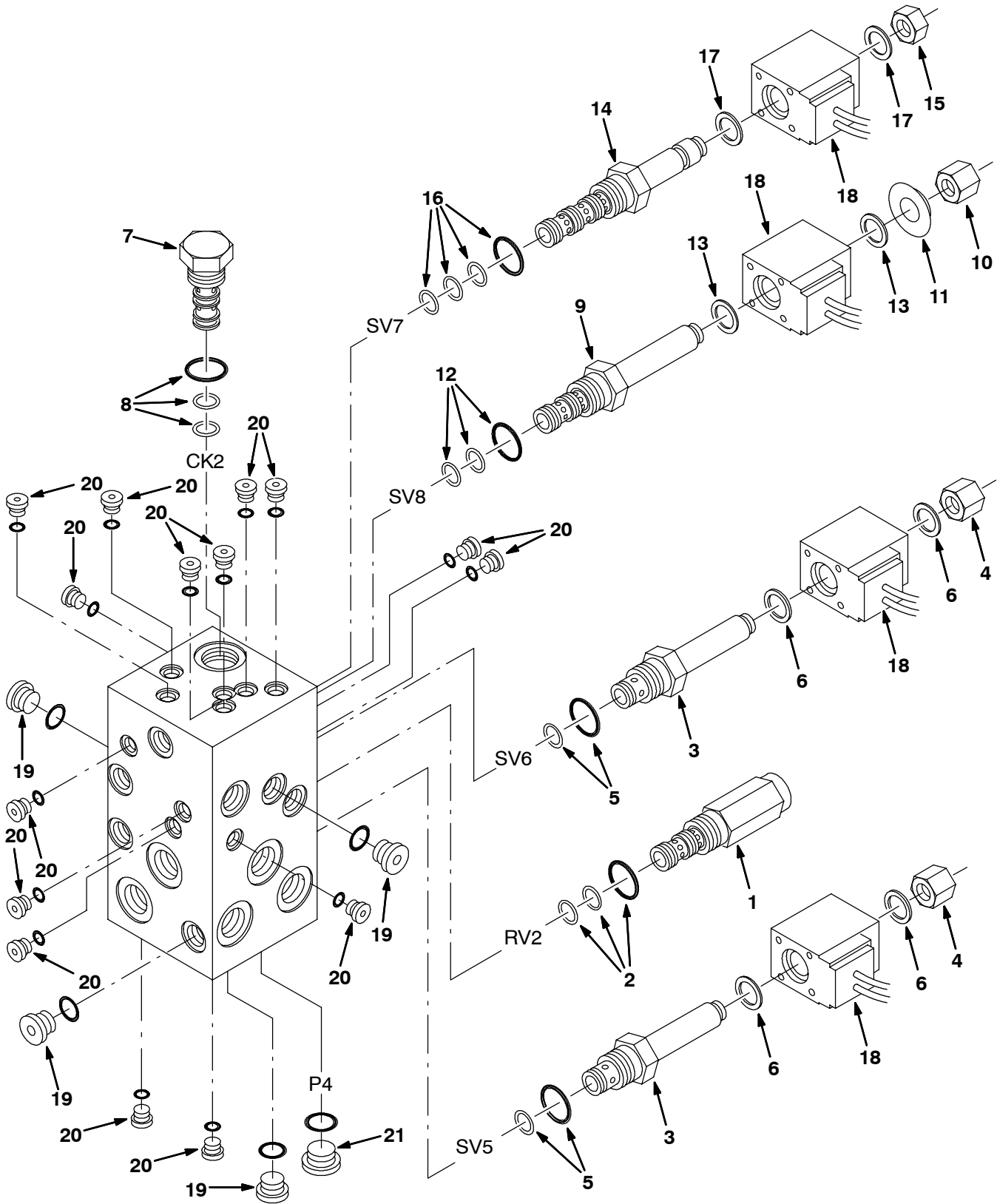


Fig. 17 - Hydraulic Solenoid Valve Breakdown, 364114

	Ref.	Part No.	Serial Number	Description	Qty.
▽		364114	(000000-) Valve, Hyd Control Sol	1
▲▽	1	22616	(000000-) Cart,Psi Cn	1
▲▲	2	79711	(000000-) Seal Kit, Cart	1
▲▽	3	79739	(000000-) Valve, Stem	2
▲▲	4	79731	(000000-) Nut	1
▲▲	5	79711	(000000-) Seal Kit, Cart	1
▲▲	6	79740	(000000-) Seal Kit, Coil	1
▲▽	7	21919	(000000-) Cart, Pilot Chk	1
▲▲	8	79711	(000000-) Seal Kit, Cart	1
▲▽	9	21931	(000000-) Cartridge, Psi Control	1
▲▲	10	79731	(000000-) Nut	1
▲▲	11	21923	(000000-) Spacer, Coil	1
▲▲	12	79711	(000000-) Seal Kit, Cart	1
▲▲	13	79740	(000000-) Seal Kit, Coil	1
▲▽	14	79719	(000000-) Valve Stem 4W2P	1
▲▲	15	79728	(000000-) Nut	1
▲▲	16	79711	(000000-) Seal Kit, Cart	1
▲▲	17	79740	(000000-) Seal Kit, Coil	1
▲	18	21916	(000000-) Solenoid, 12V	4
▲	19	74098	(000000-) Plug	4
▲	20	13902	(000000-) Plug	15
▲	21	13904	(000000-) Plug, Gauge	1

Fig. 18 - Hydraulic Solenoid Valve Breakdown, 364117

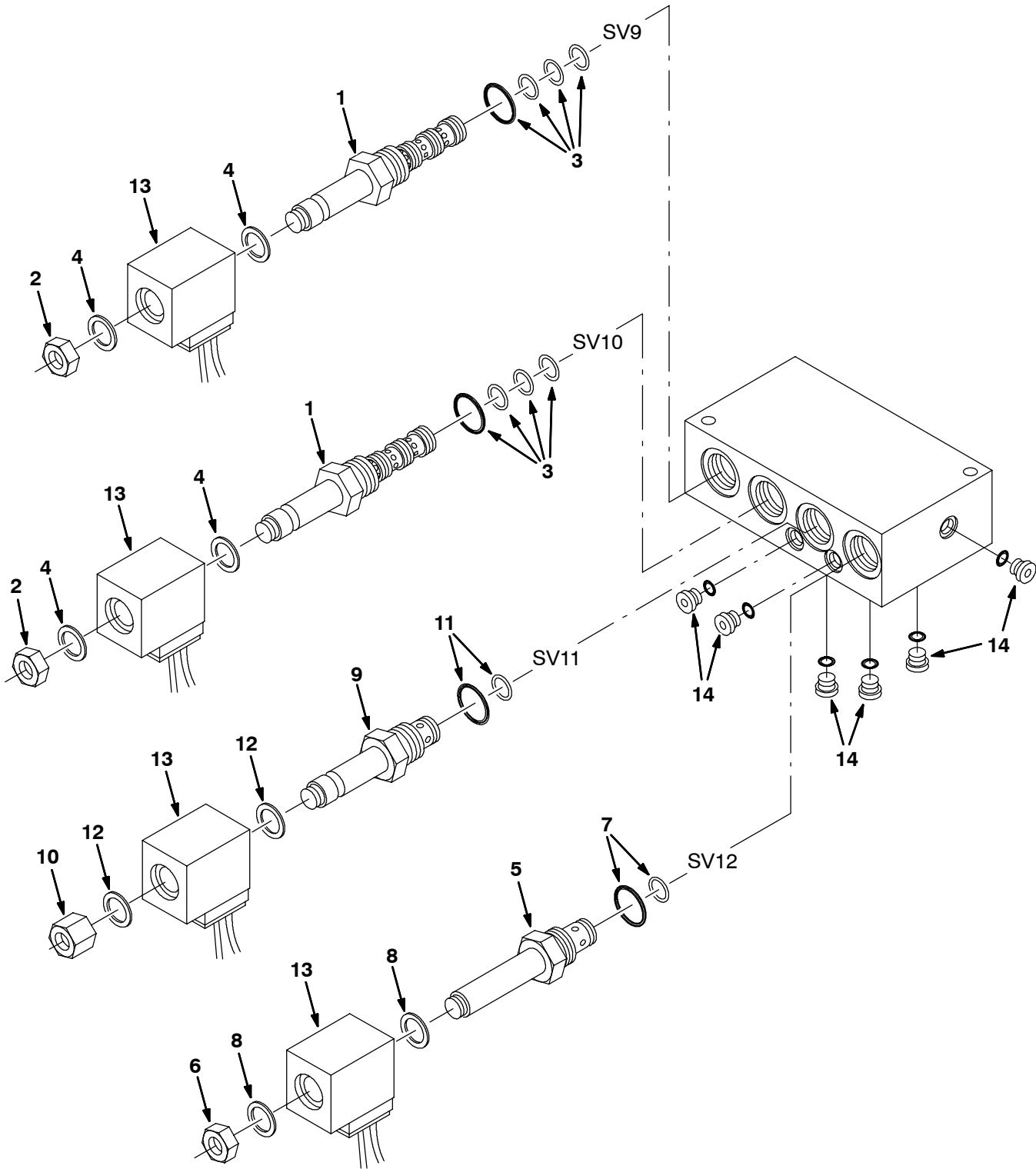
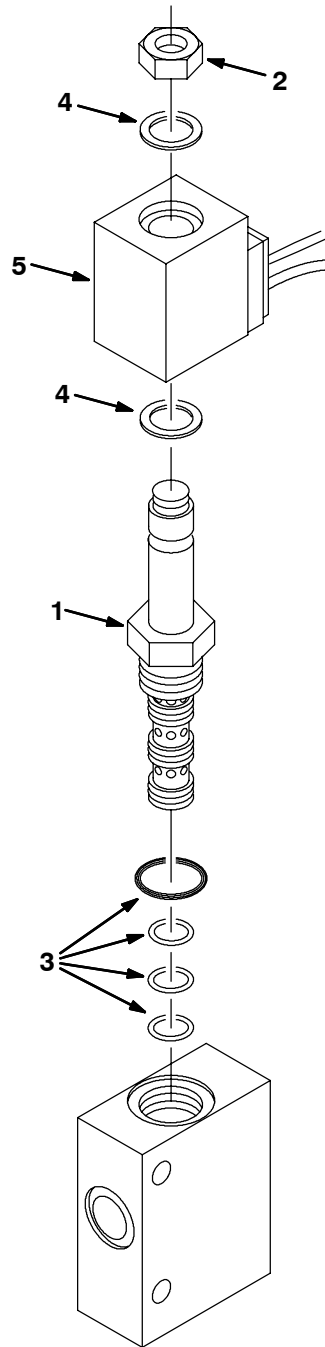


Fig. 18 - Hydraulic Solenoid Valve Breakdown, 364117

	Ref.	Part No.	Serial Number	Description	Qty.
▽		364117	(000000-) Valve, Hyd Control Sol	1
▲▽	1	79719	(000000-) Valve Stem 4W2P	2
▲▲	2	79728	(000000-) Nut	1
▲▲	3	79711	(000000-) Seal Kit, Cart	1
▲▲	4	79740	(000000-) Seal Kit, Coil	1
▲▽	5	79716	(000000-) Valve Stem	1
▲▲	6	79728	(000000-) Nut	1
▲▲	7	79711	(000000-) Seal Kit, Cart	1
▲▲	8	79740	(000000-) Seal Kit, Coil	1
▲▽	9	21906	(000000-) Valve Stem 3W2P	1
▲▲	10	79731	(000000-) Nut	1
▲▲	11	79711	(000000-) Seal Kit, Cart	1
▲▲	12	79740	(000000-) Seal Kit, Coil	1
▲	13	21916	(000000-) Solenoid, 12V	4
▲	14	13902	(000000-) Plug	6

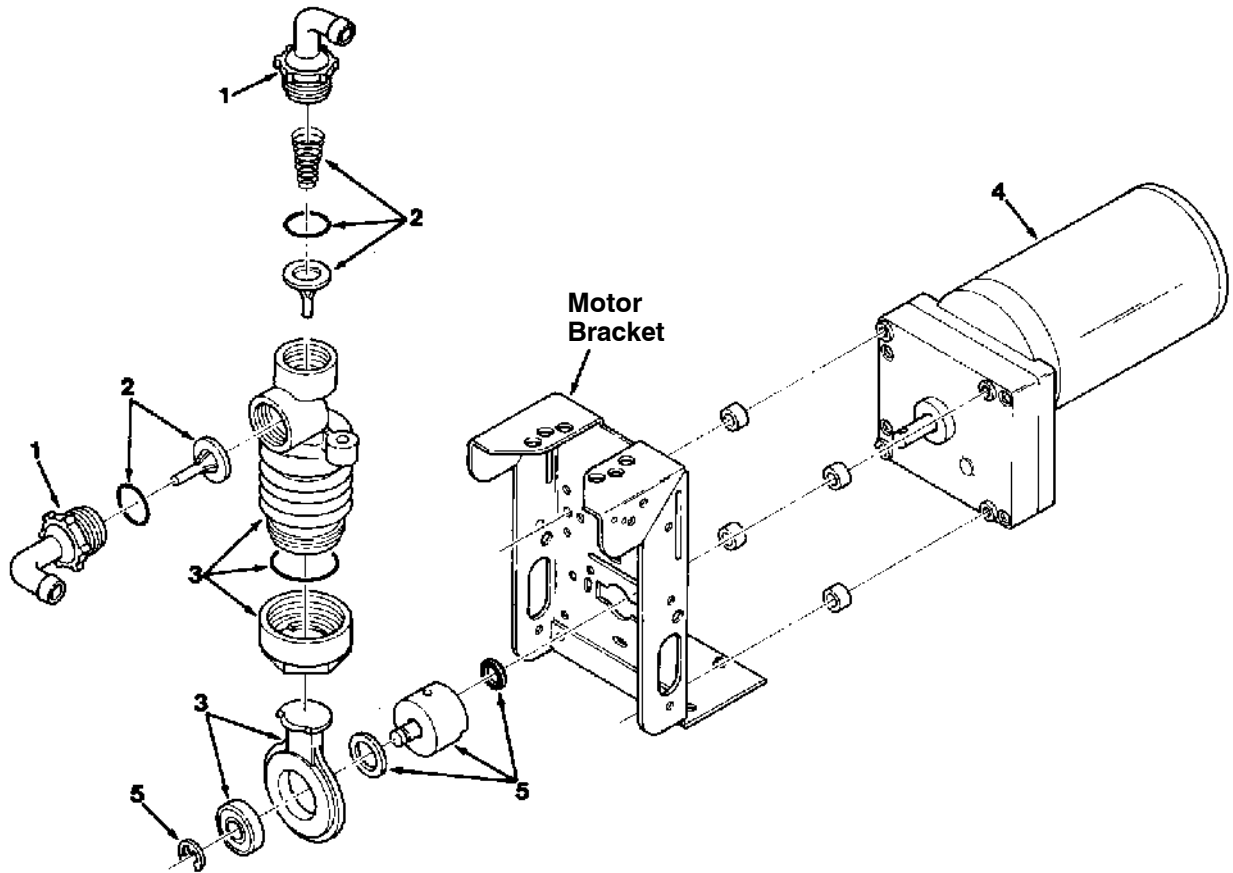
Fig. 19 - Hydraulic Solenoid Valve Breakdown, 364116



351584 - ALL

Ref.	Part No.	Serial Number	Description	Qty.
▽	364116	(000000-) Valve, Hyd Control Sol	1
▲▽	1 79719	(000000-) Valve Stem 4W2P	1
▲▲	2 79728	(000000-) Nut	1
▲▲	3 79711	(000000-) Seal Kit, Cart	1
▲▲	4 79740	(000000-) Seal Kit, Coil	1
▲	5 21916	(000000-) Solenoid, 12V	1

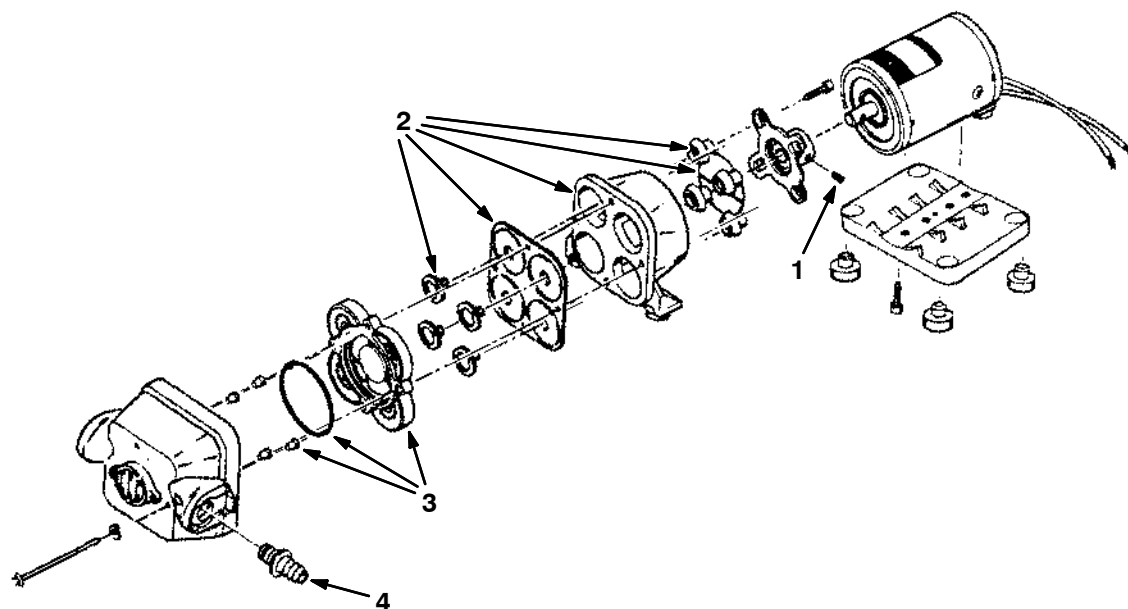
Fig. 20 - Metering Solution Pump Breakdown, 73260



00112 - ALL

Ref.	Part No.	Serial Number	Description	Qty.
▽	73260	(000000-) Pump, Detergent Metering	1
▲	1 63923	(000000-) Tubing Connctr.Kit, Pmp	1
▲	2 21659	(000000-) Valve Kit, Poppet	1
▲	3 21657	(000000-) Bellows Kit	1
▲	4 78875	(000000-) Gear Motor Assy	1
▲	5 02430	(000000-) Crank Replmt.Kit,Pump	1

Fig. 21 - Pump Breakdown, 364638



352016 - ALL

	Ref.	Part No.	Serial Number	Description	Qty.
▽		364638	(000000-) Pump, Flowjet	1
▲	1	65668	(000000-) Screw, Set	1
▲	2	41311	(000000-) Diaphragm Kit	1
▲	3	375010	(000000-) Check Valve	1
▲	4	365174	(000000-) Elbow	2

SECTION 5

Contents	Page
Fig. 1 - Cylinder Head, Valves Group	5-2
Fig. 2 - Cylinder Block Group	5-4
Fig. 3 - Camshaft and Valve Control Group .	5-6
Fig. 4 - Crankshaft and Piston Group	5-8
Fig. 5 - Oil Pump and Oil Pan Group	5-10
Fig. 6 - Manifold Group	5-12
Fig. 7 - Front Cover Group	5-13
Fig. 8 - Water Pump Group	5-14
Fig. 9 - Gaskets Group	5-15
Fig. 10 - Distributorless Ignition Group	5-16
Fig. 11 - Flywheel Group	5-18

Fig. 1 - Cylinder Head, Valves Group

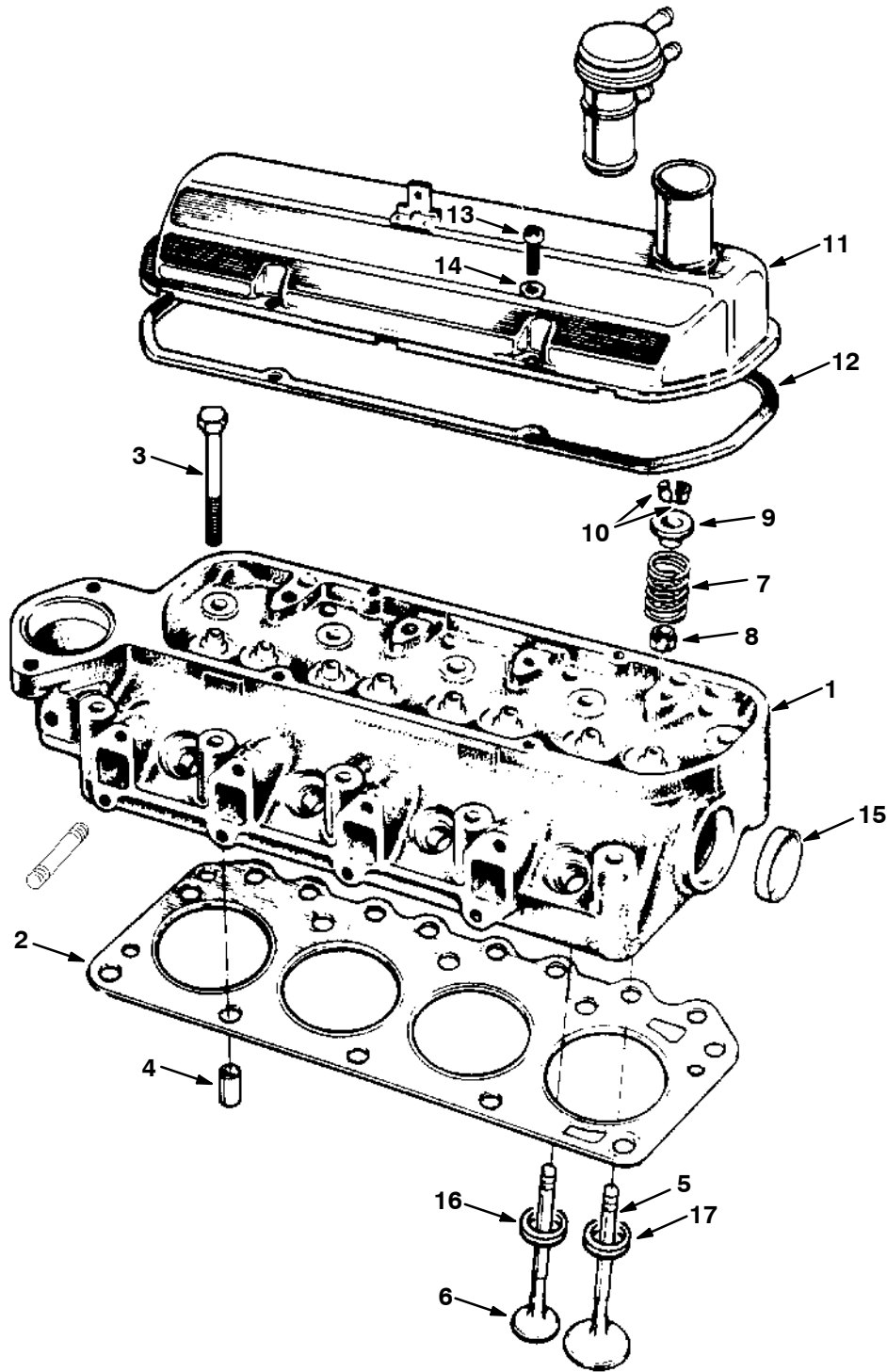


Fig. 1 - Cylinder Head, Valves Group

Ref.	Part No.	Description	Qty.
1	36279	Head Assembly, Cylinder	1
2	36281	Gasket, Cylinder Head	1
3	36297	Bolt, Cylinder Head	10
4	36298	Dowel, Cylinder Head to Block	2
5	36300	Valve, Intake, Std	-
6	36307	Valve, Exhaust, Std	4
7	36315	Spring, Valve	8
8	61538	Seal, Valve Stem	8
9	36318	Retainer	8
10	36319	Lock, Valve Spring	16
11	61539	Cover	1
12	07705	Gasket, Rocker Arm Cover	1
13	36324	Screw, Rocker Cover to Head	4
14	32483	Washer, Flat, 6 mm	4
15	37313	Plug	1
16	36330	Insert, Exhaust Valve Seat	4
17	36331	Insert, Intake Valve Seat	4

Fig. 2 - Cylinder Block Group

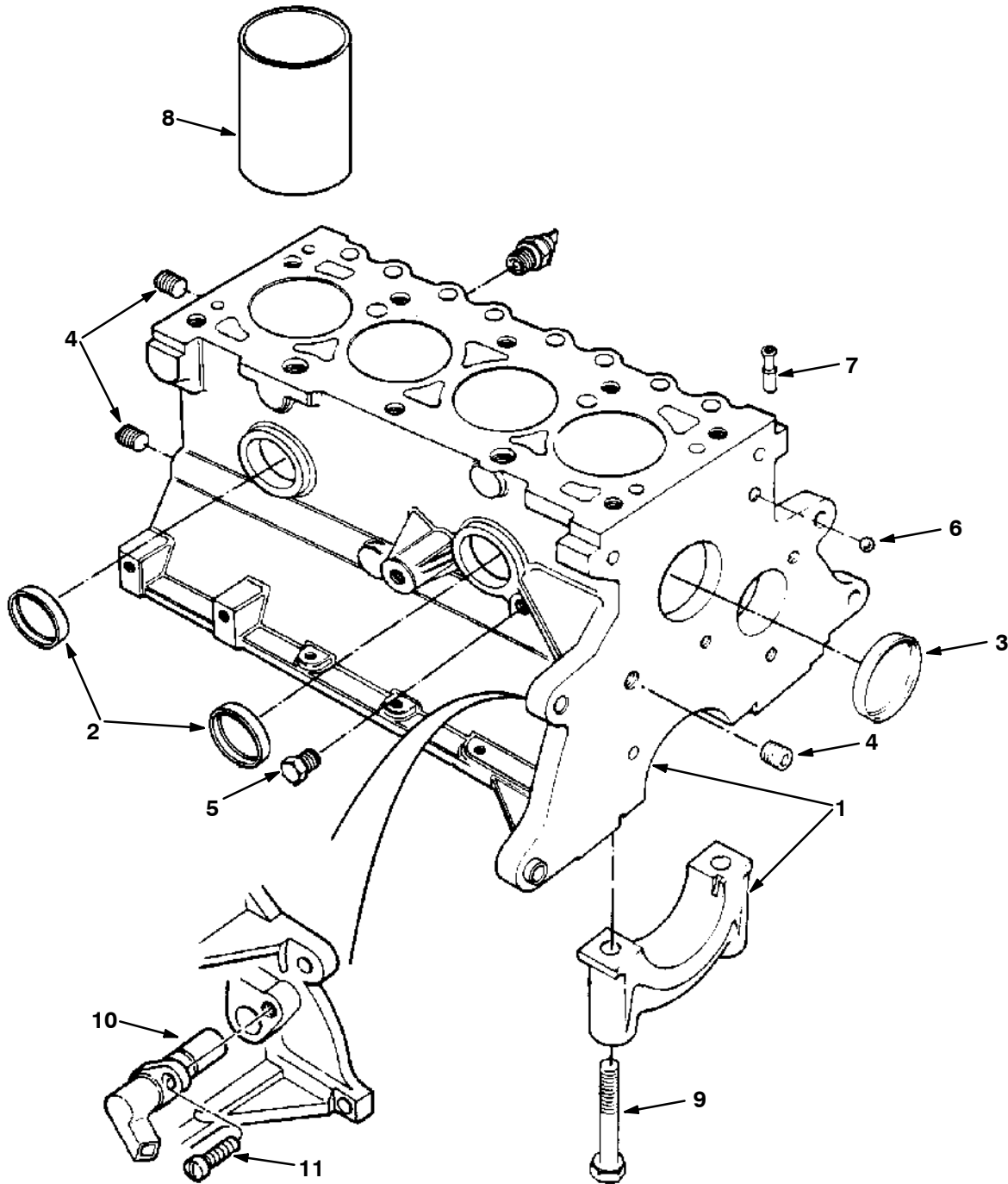
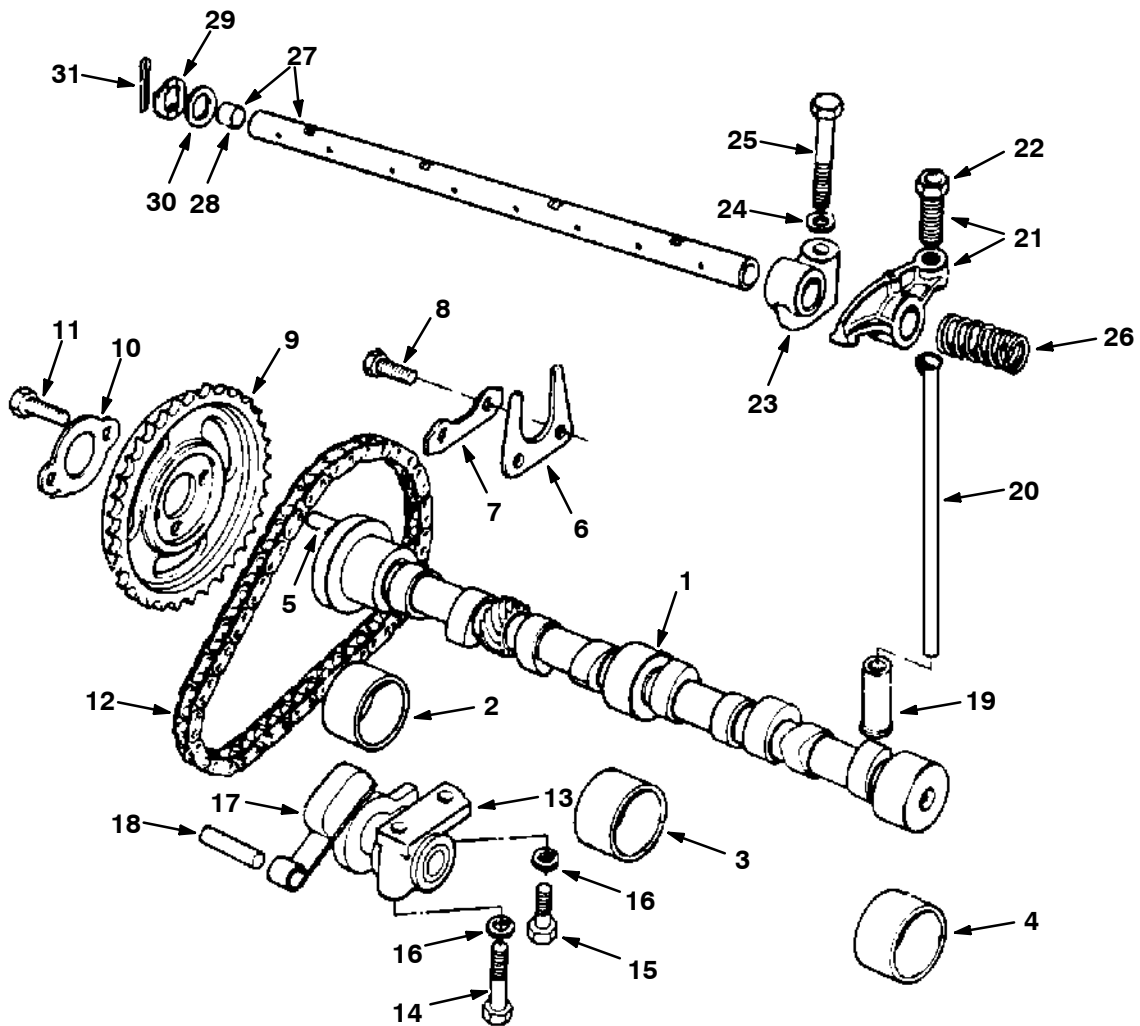


Fig. 2 - Cylinder Block Group

	Ref.	Part No.	Description	Qty.
▽	1	36264	Block, Cylinder, With Crank, Pistons, Rings, etc.	1
▲		36263	Block, Cylinder	1
	2	37313	Plug	2
	3	36267	Plug	1
	4	36268	Plug, 1/4 NPT	3
	5	36272	Plug, 1/4 NPT	1
	6	36273	Plug, Ball, Oil Gallery	1
	7	36274	Adapter	1
	8	36275	Liner, Cylinder	-
	9	36276	Bolt, Main Bearing Cap	10
	10	374632	Sensor, 45°	1
	11	36278	Screw, M6 x 14	1

Fig. 3 - Camshaft and Valve Control Group





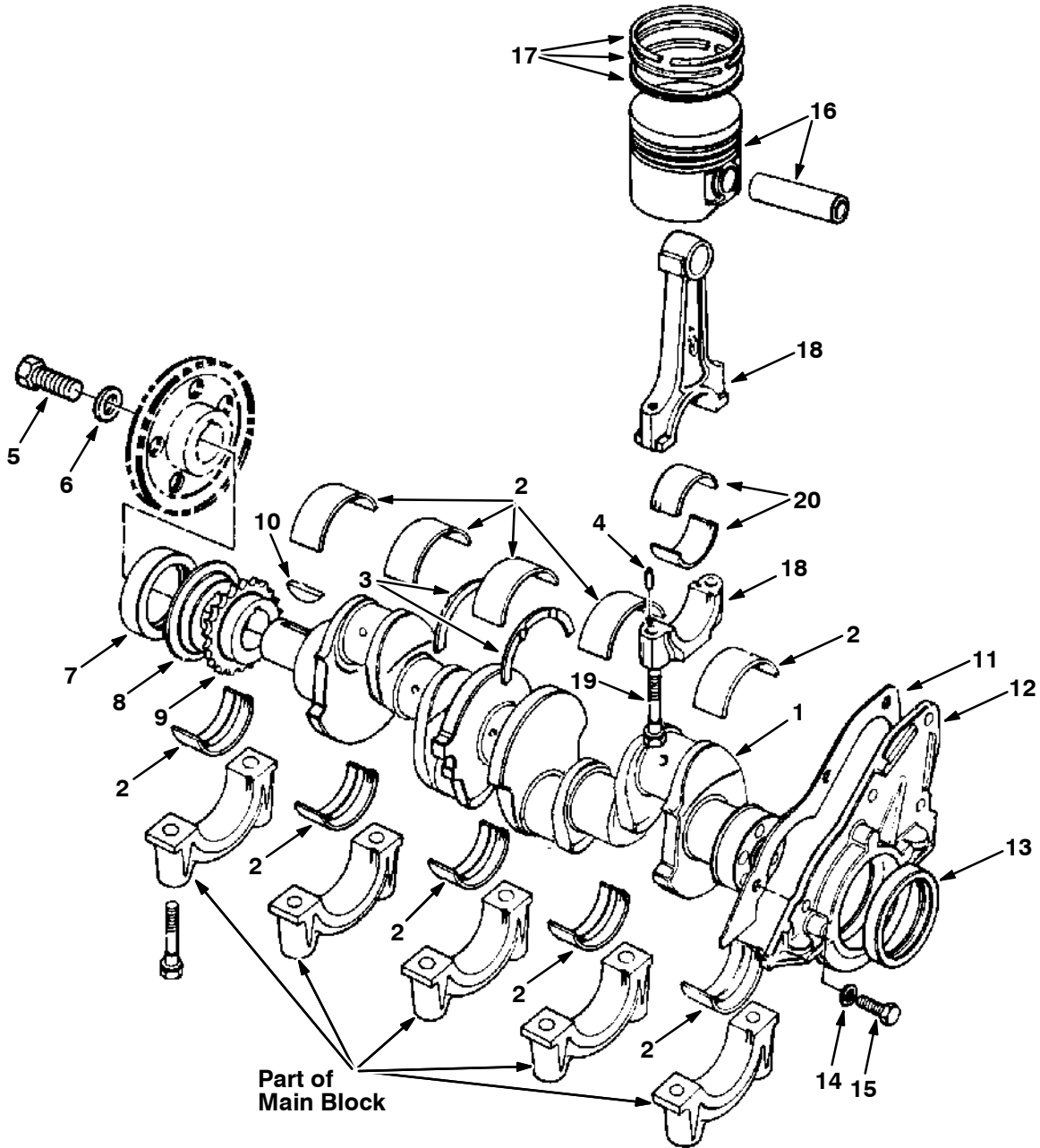
388463

Bearing Set, cam1

Fig. 3 - Camshaft and Valve Control Group

Ref.	Part No.	Description	Qty.	
1	36340	Camshaft	1	
▲	2	37316	Bearing, Std ID - Std OD	-
2	37317	Bearing, Std ID + 0.020 OD	-	
▲	3	37306	Bearing, Std ID - Std OD	-
3	38242	Bearing, Std ID + 0.020 OD	-	
▲	4	37306	Bearing, Std ID - Std OD	-
4	38242	Bearing, Std ID + 0.020 OD	-	
5	61540	Dowel	1	
6	36342	Plate, Thrust	1	
7	36343	Retainer	1	
8	36344	Bolt, M6 x 16, Tensioner to Block	2	
9	36345	Sprocket, Camshaft	1	
10	36348	Retainer	1	
11	36349	Bolt, M8 x 16	2	
12	37307	Chain	1	
13	37337	Tensioner	1	
14	36372	Bolt, M6 x 55, Tensioner to Block	1	
15	36344	Bolt, M6 x 16, Tensioner to Block	1	
16	36373	Washer, 1/4 Lock	2	
17	36374	Arm, Tensioner	1	
18	37694	Pin	1	
19	36375	Tappet, Std	8	
20	36381	Rod, Valve Push	8	
21	36382	Arm, Valve Rocker, Right, With Screw	4	
▽	21	36383	Arm, Valve Rocker, Left, With Screw	4
▲	22	37693	Screw	8
23	36384	Support, Rocker Arm Shaft	4	
24	36389	Washer, B10 x 20 x 2.5	4	
25	36390	Bolt, Rocker Support	4	
26	36402	Spring, Locating	3	
▽	27	36405	Shaft Assembly, Rocker Arm	1
▲	28	36406	Plug, Rocker Arm Shaft, 11 mm	2
29	36407	Washer, Spring	2	
30	36408	Washer, Flat	2	
31	36409	Pin, Cotter, 2.3 mm	2	

Fig. 4 - Crankshaft and Piston Group



351600 - G, LP

Ref.	Part No.	Description	Qty.
1	36322	Crankshaft Assembly	1
2	36410	Main Bearing, Crankshaft, Upper Std OD, Std ID	-
2	36411	Main Bearing, Crankshaft, Upper Std OD, 0.005 US ID	-
2	36412	Main Bearing, Crankshaft, Upper Std OD, 0.010 US ID	-
2	36413	Main Bearing, Crankshaft, Upper 0.015 OS OD, Std ID	-
2	36414	Main Bearing, Crankshaft, Upper Std OD, 0.020 US ID	-
2	36415	Main Bearing, Crankshaft, Upper Std OD, 0.030 US ID	-
2	36416	Main Bearing, Crankshaft, Upper 0.015 OS OD, 0.010 US ID	-

Fig. 4 - Crankshaft and Piston Group

Ref.	Part No.	Description	Qty.
2	36418	Main Bearing, Crankshaft, Upper 0.015 OS OD, 0.020 US ID	-
2	61545	Main Bearing, Crankshaft, Lower Std OD, Std ID	-
2	61546	Main Bearing, Crankshaft, Lower Std OD, 0.005 US ID	-
2	61547	Main Bearing, Crankshaft, Lower Std OD, 0.010 US ID	-
2	61548	Main Bearing, Crankshaft, Lower 0.015 OS OD, Std ID	-
2	61549	Main Bearing, Crankshaft, Lower Std OD, 0.020 US ID	-
2	61550	Main Bearing, Crankshaft, Lower Std OD, 0.030 US ID	-
2	61551	Main Bearing, Crankshaft, Lower 0.015 OS OD, 0.010 US ID	-
2	61552	Main Bearing, Crankshaft, Lower 0.015 OS OD, 0.020 US ID	-
3	36419	Washer, Main Bearing Thrust, Std	2
3	36421	Washer, Main Bearing Thrust, 0.015 OS	2
4	36590	Dowel Pin, Connecting Rod	8
5	36423	Bolt, Pulley to Crankshaft, M12 x 32	1
6	07707	Washer, Pulley to Crankshaft, B12	1
7	36257	Seal, Front Cover	1
8	36424	Slinger, Oil	1
9	37321	Sprocket	1
10	37312	Key, Woodruff	1
11	36259	Gasket, Rear Retainer	1
12	36430	Retainer Assembly, Rear	1
13	37343	Seal, Crankshaft Rear	1
14	36431	Washer, B8 Lock	4
15	37181	Bolt, M8 x 20	4
16	36432	Piston, Pin and Ring Assembly, Std	-
16	36433	Piston, Pin and Ring Assembly, 0.020 OS	-
16	36445	Piston, Pin and Ring Assembly, 0.040 OS	-
17	42361	Ring Set, Piston, Std	-
17	75809	Ring Set, Piston, 0.020 OS	-
17	75817	Ring Set, Piston, 0.040 OS	-
18	61527	Rod Assembly, Connecting	4
19	36454	Bolt, Connecting Rod	8
20	36463	Bearing, Connecting Rod, Std	8
20	36467	Bearing, Connecting Rod, 0.001 US	-
20	36469	Bearing, Connecting Rod, 0.010 US	-
20	36483	Bearing, Connecting Rod, 0.020 US	-
20	36493	Bearing, Connecting Rod, 0.030 US	-

Fig. 5 - Oil Pump and Oil Pan Group

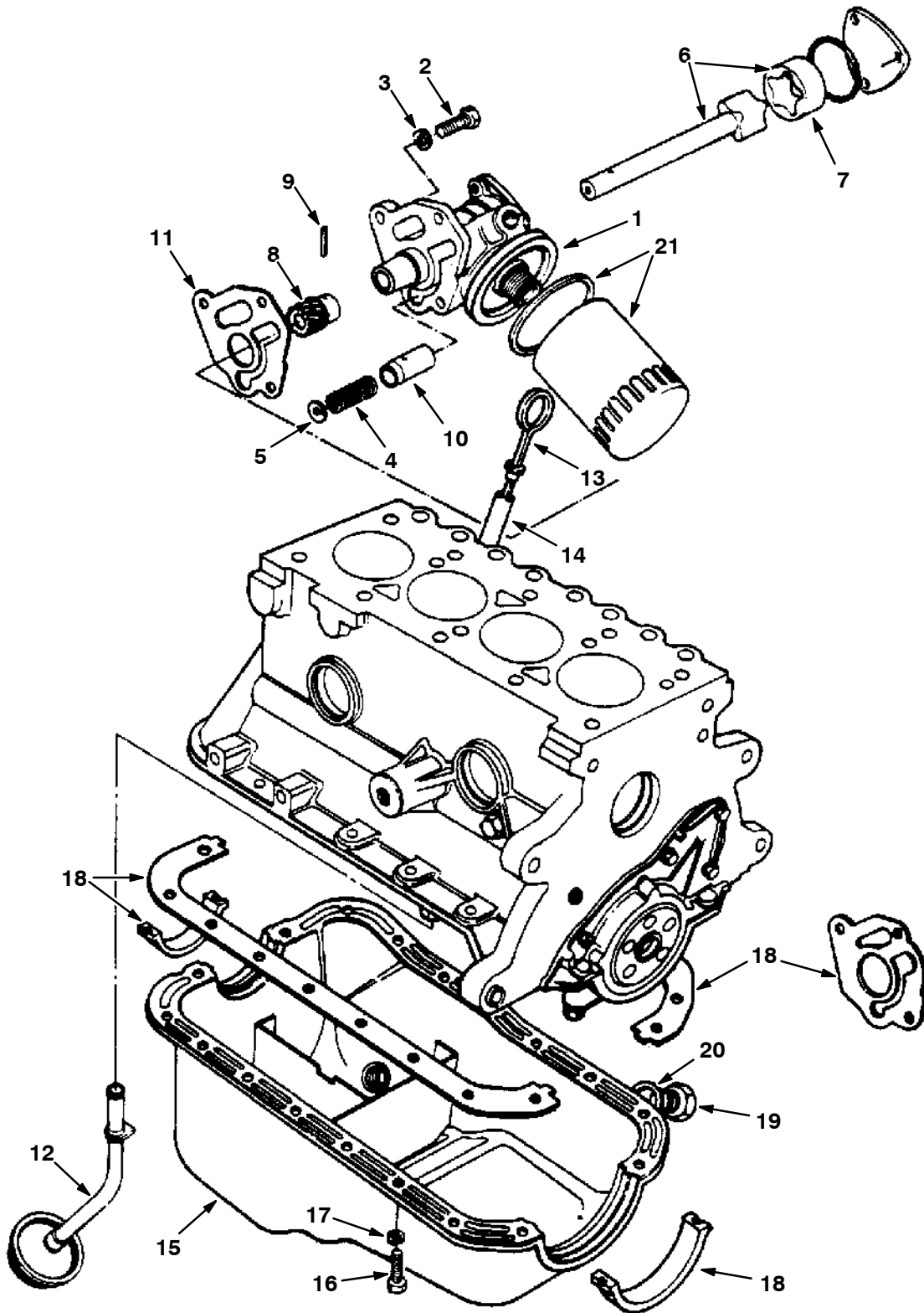
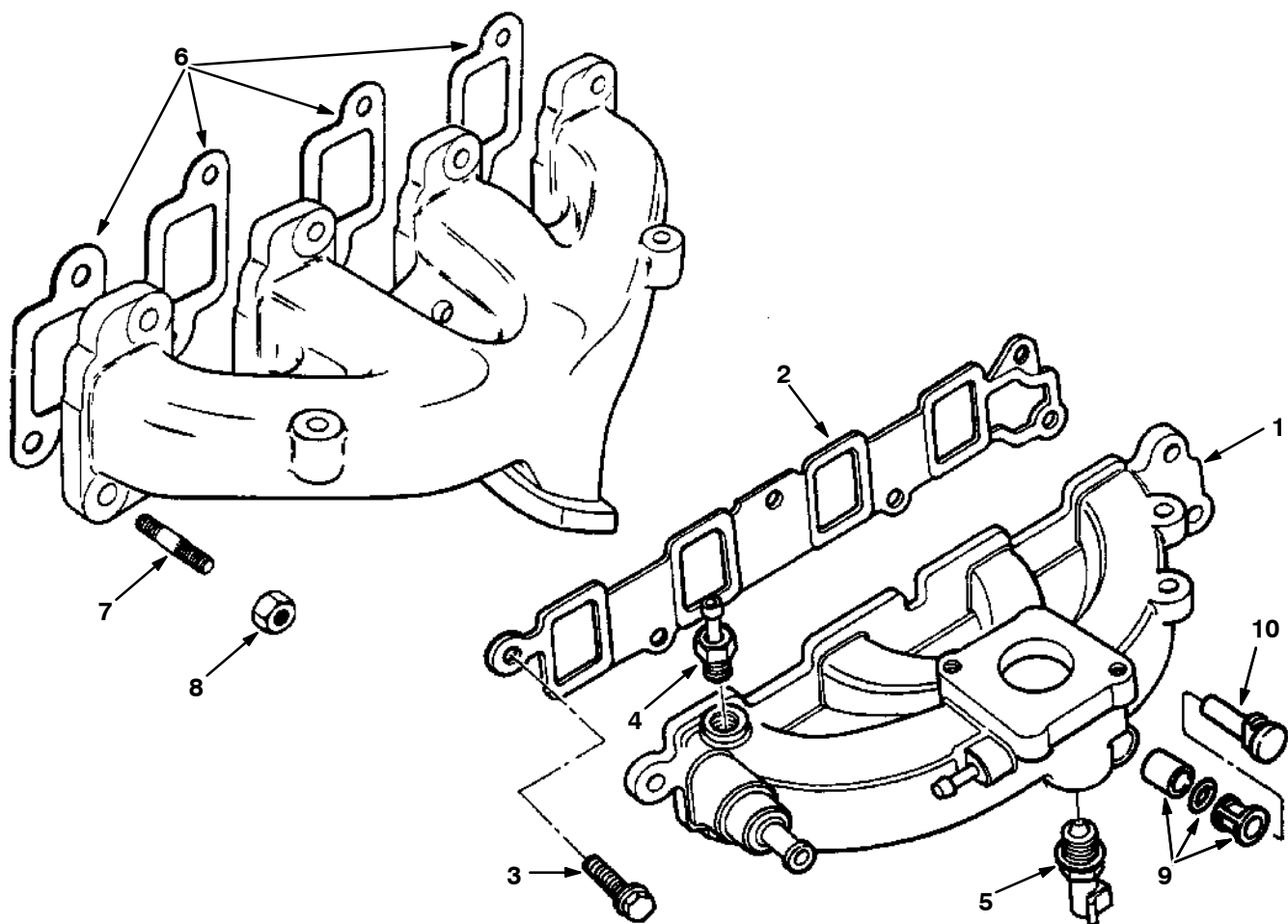


Fig. 5 - Oil Pump and Oil Pan Group

	Ref.	Part No.	Description	Qty.
▽	1	07710	Pump, Oil	1
▲	2	36748	Bolt	3
▲	3	36431	Washer, B8 Lock	3
▲	4	36904	Spring	1
▲	5	36923	Plug (Replaced by none)	1
▲	6	10075	Rotor and Shaft	1
▲	7	37403	Seal, Cover Plate	1
▲	8	36780	Gear	1
▲	9	36867	Pin, Drive Gear	1
▲	10	36881	Plunger	1
	11	36764	Gasket, Oil Pump to Block	1
	12	36765	Tube Assembly, Oil Pickup	1
	13	36924	Indicator, Oil Level	1
	14	37053	Tube, Oil Level Indicator	1
	15	37098	Oil Pan and Plug	1
	16	37099	Bolt, M6 x 14, Oil Pan	18
	17	36373	Washer, 1/4 Lock	18
	18	10806	Kit, Oil Pan Gasket	1
	19	37127	Plug, Oil Drain	1
	20	37157	Gasket, Oil Drain Plug	1
	21	19205	Filter, Engine Oil	1

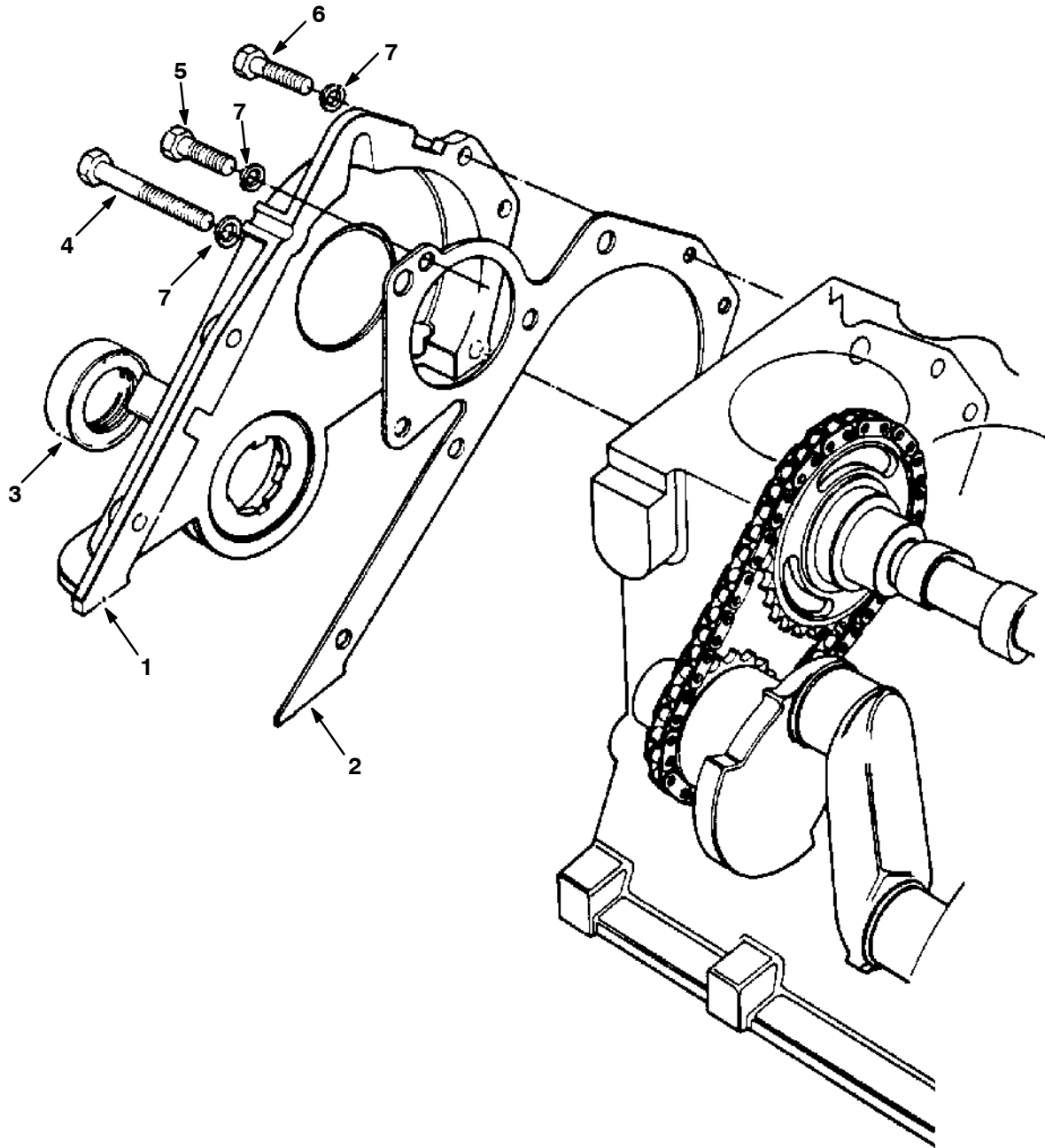
Fig. 6 - Manifold Group



07949 - 6500L, 8200L, G, LP

Ref.	Part No.	Description	Qty.
1	37194	Manifold, Intake	1
2	37195	Gasket, Intake Manifold	1
3	37196	Bolt, M8 x 25	6
4	37198	Adapter, Vacuum	1
5	84989	Sensor, Water Temperature	1
6	61556	Gasket, Exhaust Manifold	4
7	30327	Stud	8
8	08165	Nut, Stover M8 x 1.25	8
9	21784	Manifold Insert	1
10	21785	Plug	1

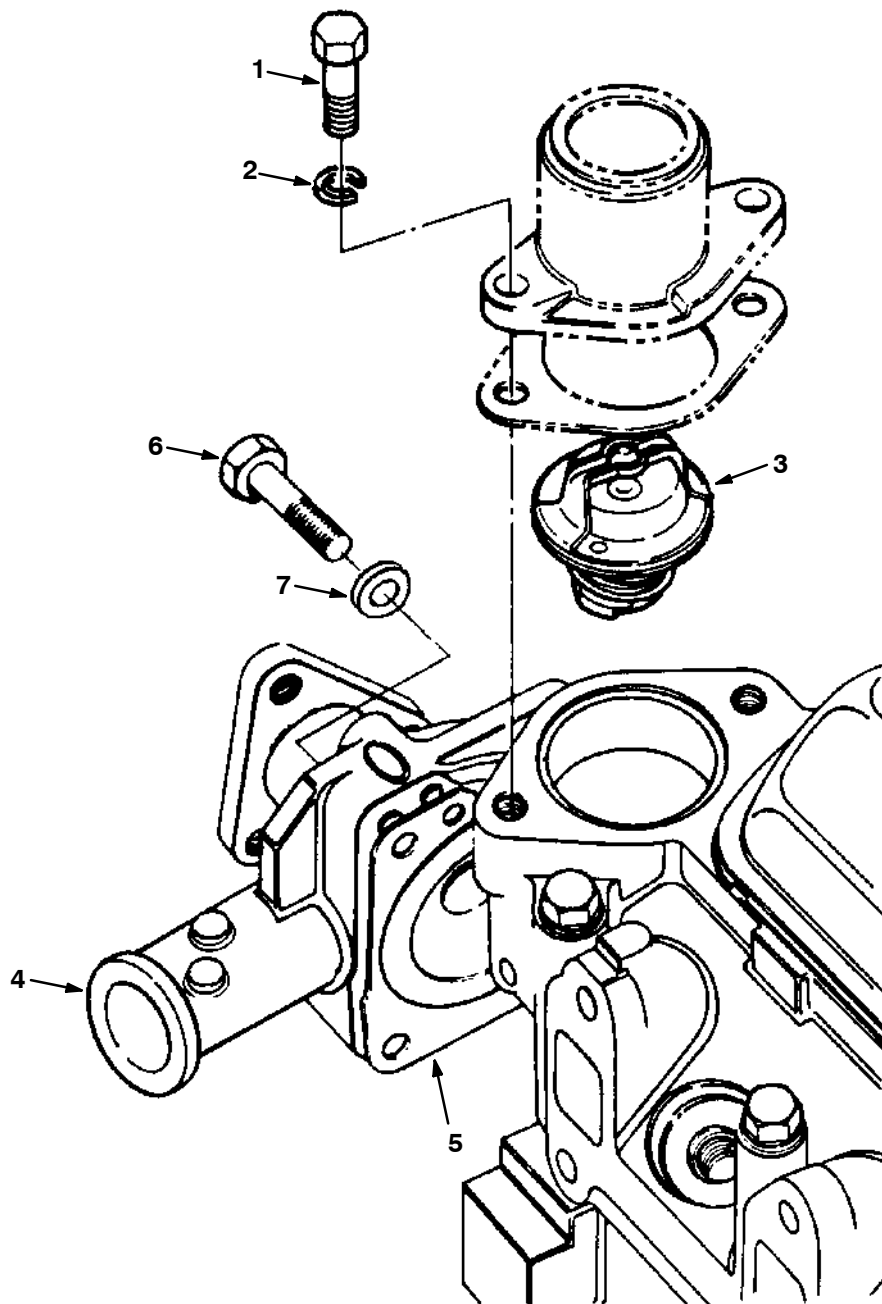
Fig. 7 - Front Cover Group



04708 - G, LP

Ref.	Part No.	Description	Qty.
▽	1 36332	Cover and Seal Assembly, Cylinder Front	1
▲	2 52484	Gasket, Front Cover	1
▲	3 36257	Seal, Front Cover	1
	4 06948	Screw, Hex, M6 X 1.0 X 45, 8.8	1
	5 39047	Bolt, M6 x 40, Front Cover to Block	3
	6 36338	Bolt, M6 x 18, Front Cover to Block	4
	7 36339	Washer, Lock, M6, Front Cover and W/P to Block	8

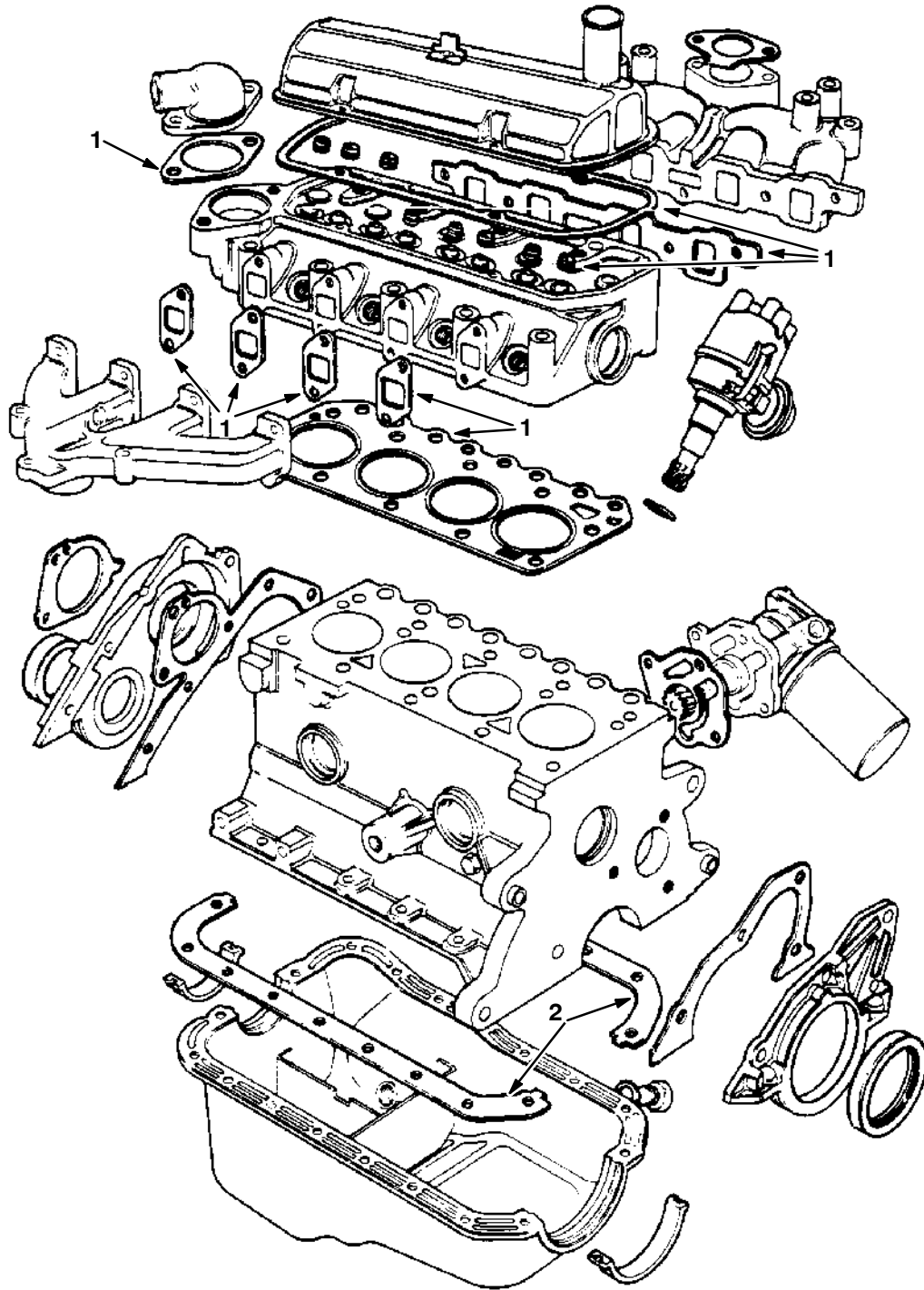
Fig. 8 - Water Pump Group



04709 - G, LP

Ref.	Part No.	Description	Qty.
1	37181	Bolt, M8 x 20	2
2	36431	Washer, B8 Lock	2
3	37327	Thermostat, 180 Deg	1
4	26431	Water Pump	1
5	37189	Gasket, Water Pump	1
6	37193	Bolt, M6 x 40, Front Cover and W/P to Block	3
7	36339	Washer, M6 Lock	3

Fig. 9 - Gaskets Group



04711 - G, LP

Ref.	Part No.	Description	Qty.
▽	36253	Engine Gasket Kit, Complete	1
▲	1 36254	Engine Gasket Kit, Upper	1
▲	2 10806	Pan Gasket Kit	1

Fig. 10 - Distributorless Ignition Group

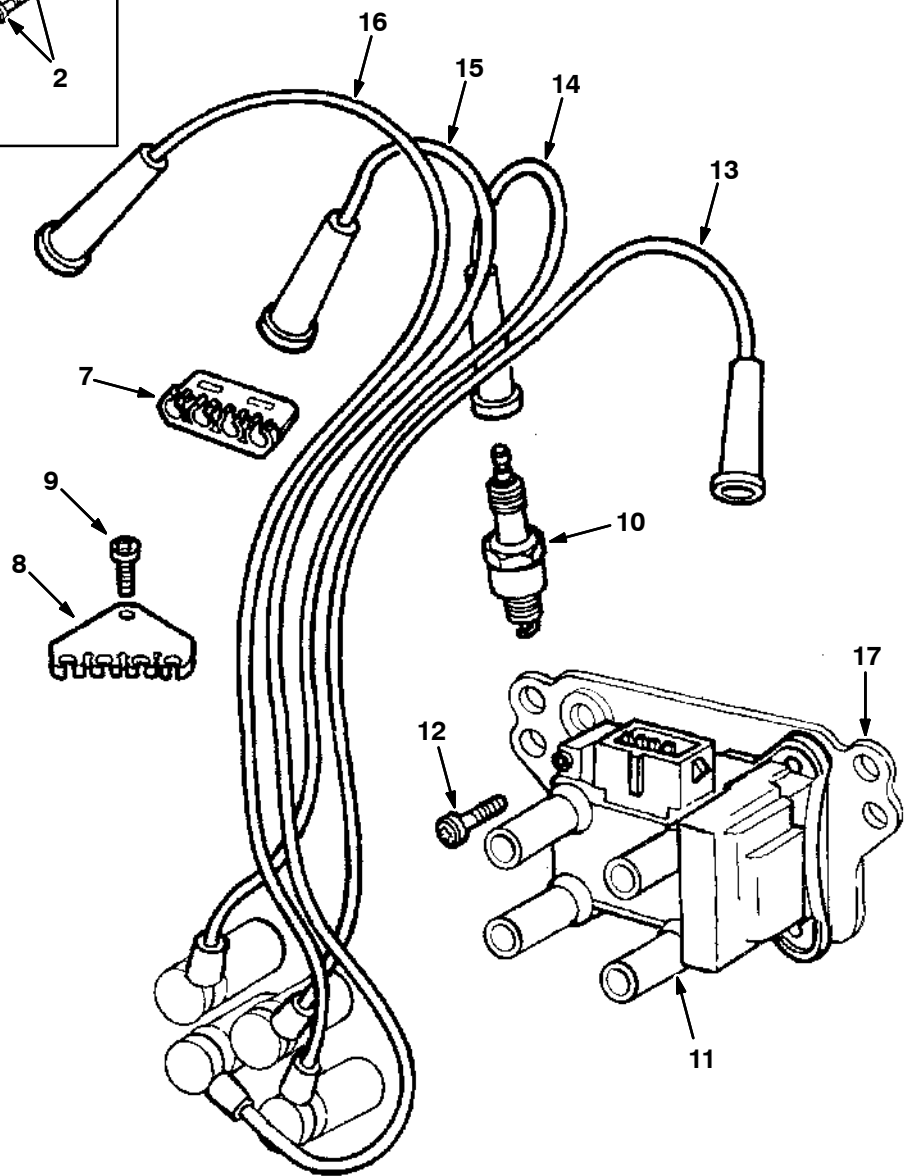
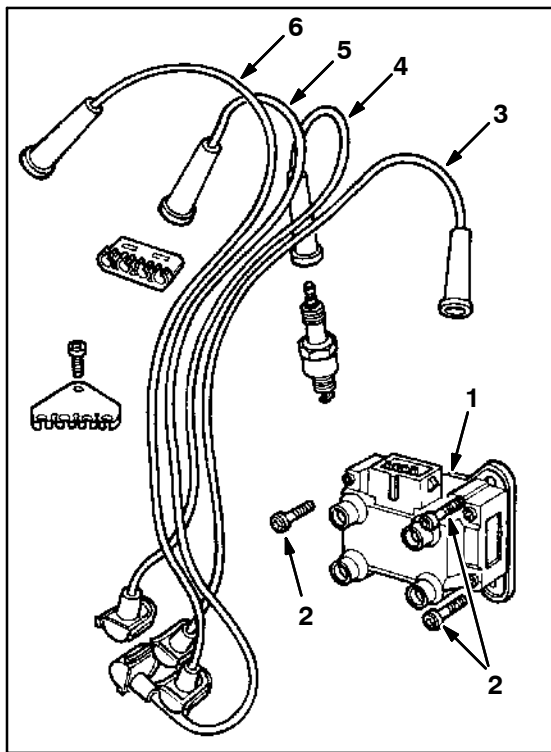


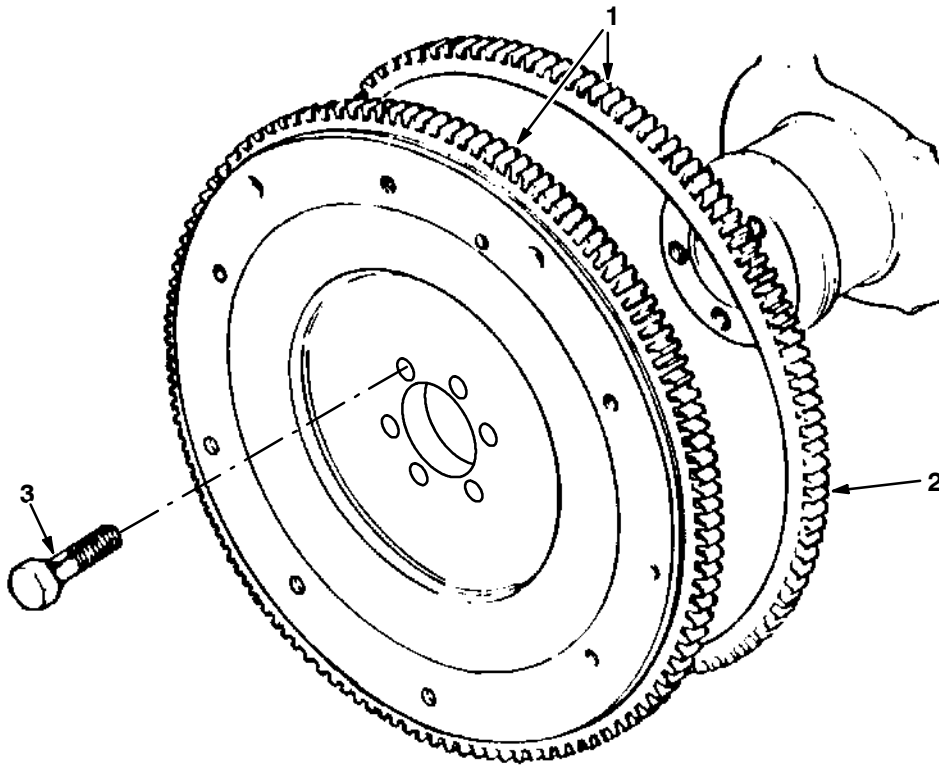
Fig. 10 - Distributorless Ignition Group

Ref.	Part No.		Description	Qty.
1	39025	①	Coil and Bracket Assembly, Ignition	1
2	39026	①	Screw, M8 x 14	3
3	39038	①	Wire, Spark Plug, No. 1	1
4	39040	①	Wire, Spark Plug, No. 2	1
5	39041	①	Wire, Spark Plug, No. 3	1
6	39042	①	Wire, Spark Plug, No. 4	1
7	39043		Separator, Ignition Wire	1
8	39044		Separator, Ignition Wire	1
9	39045		Screw, M4 x 10	1
10	39046		Spark Plug	4
11	374666	②	Coil and Bracket Assembly, Ignition	1
12	374672	②	Screw, M5x16	4
13	374667	②	Wire, Spark Plug, No. 1	1
14	374668	②	Wire, Spark Plug, No. 2	1
15	374669	②	Wire, Spark Plug, No. 3	1
16	374670	②	Wire, Spark Plug, No. 4	1
17	374671	②	Bracket, Coil Mount	4

① Tennant Serial Number (000000-001019)

② Tennant Serial Number (001020-)

Fig. 11 - Flywheel Group



04710 - G, LP

	Ref.	Part No.	Description	Qty.
▽	1	36591	Flywheel and Ring Gear Assembly	1
▲	2	52488	Ring, Gear	1
	3	36630	Bolt, M10 x 22.5, Flywheel to Crankshaft	5
		36646	Dowel	3

SECTION 6

Contents	Page
Fig. 1 - Cylinder Head and Valves Group	6-2
Fig. 2 - Manifold Group	6-4
Fig. 3 - Camshaft Group	6-6
Fig. 4 - Ignition Group	6-8
Fig. 5 - Crankshaft and Piston Group	6-9
Fig. 6 - Oil Pump and Oil Pan Group	6-10

Fig. 1 - Cylinder Head and Valves Group

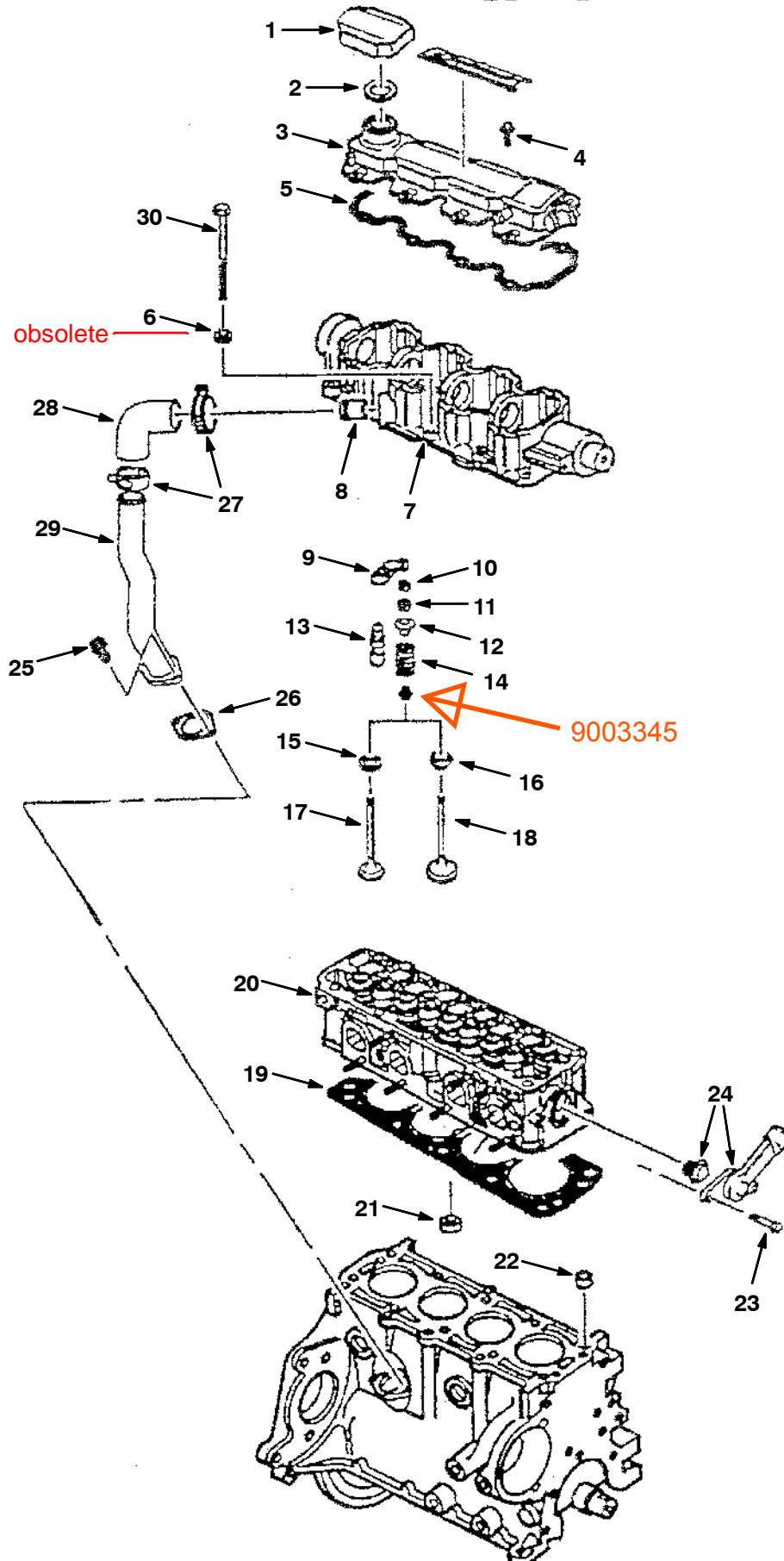


Fig. 1 - Cylinder Head and Valves Group

Ref.	Part No.	Description	Qty.
1	372574	Cap, Filler, Oil, W/ Org	1
2	372573	Seal, Org, Cap	1
3	372007	Cover, Hsng, Camshaft	1
4	371990	Bolt, Camshaft Cover	8
5	372008	Gasket, Cover, Hsng, Camshaft	1
6	372017	Washer, Sprkt, Camshaft	10
7	372018	Housing, Camshaft	1
8	372019	Tube [Pcv]	1
9	372030	Arm, Rocker, Valve	8
10	372031	Seat, Spring, Valve, 0.333	8
10	372032	Seat, Spring, Valve	8
11	372033	Key, Valve Stem	16
12	372034	Cap, Spring, Valve	4
13	372035	Screw, Adj, Valve, Hyd	8
14	372036	Spring, Valve	8
15	372037	Seat, Rotator, Valve	4
16	372031	Seat, Spring, Valve, 0.333	8
16	372032	Seat, Spring, Valve	4 - 8
17	372038	Valve, Exhaust	4
18	372039	Valve, Intake	1
19	372022	Gasket, Head, Cyl	1
20	372023	Head, Cyl	1
21	372024	Seat, Valve, Exhaust, [+0.2mm]	4
21	372025	Seat, Valve, Exhaust, Std	4
21	372026	Seat, Valve, Exhaust, [+0.4mm]	4
21	372027	Seat, Valve, Intake, Std	4
21	372028	Seat, Valve, Intake, [+0.2mm]	4
21	372029	Seat, Valve, Intake, [+0.4mm]	4
22	371999	Pin, Lock, Cyl Head, 14mm X 17mm	2
23	372048	Bolt, Hsng, Thermostat	2
24	372047	Thermostat, W/ Hsng And Seal	1
25	371957	Bolt, Tube [Pvc], M6 X 1 X 15	2
26	371958	Gasket, Tube [Pcv]	1
27	371954	Clamp, Hose, 1.75 [Pcv]	2
28	371955	Hose [Pcv]	1
29	371956	Tube [Pcv]	1
30	372882	Bolt, Head. Cyl	+ 10

Fig. 2 - Manifold Group

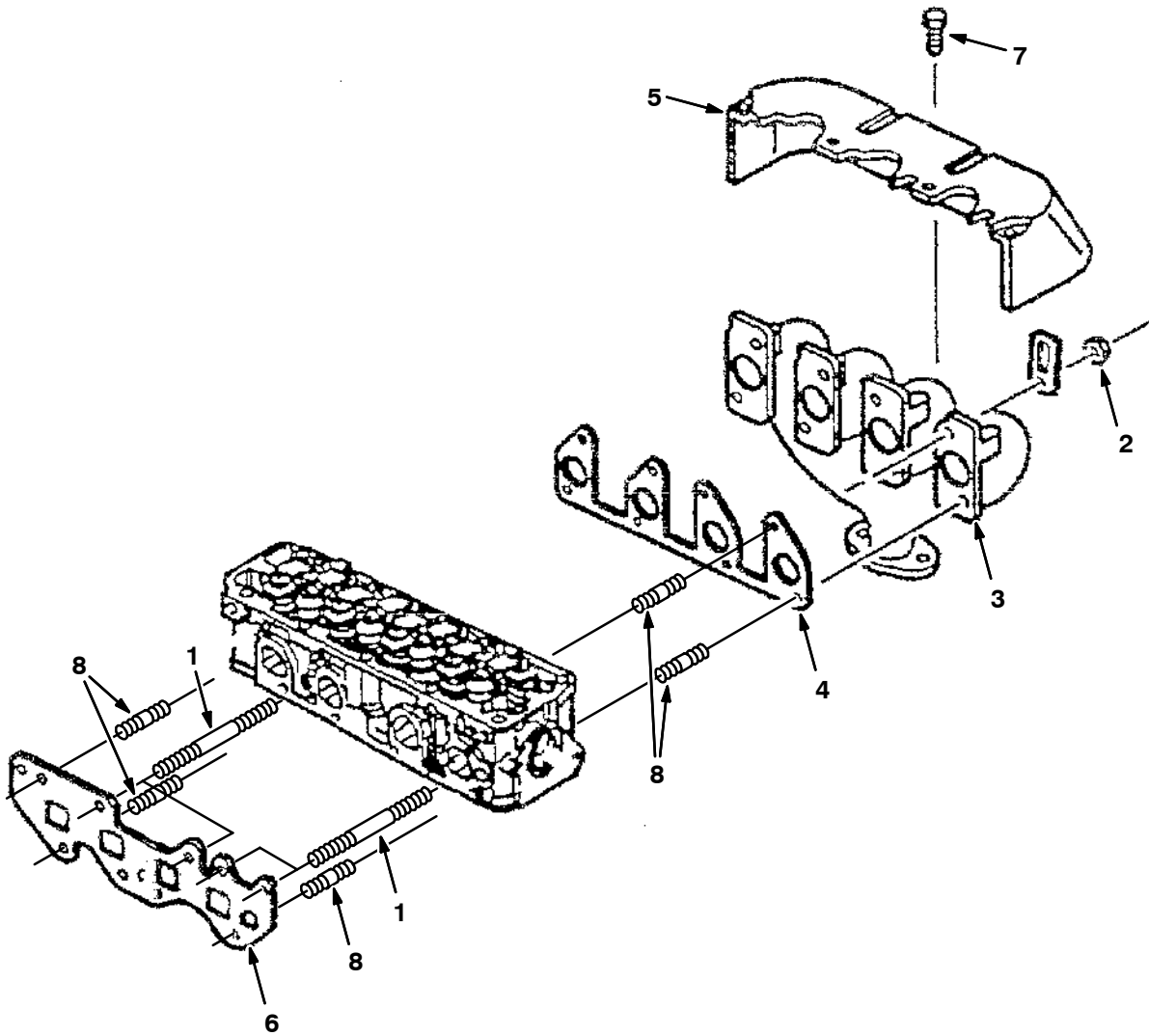


Fig. 2 - Manifold Group

Ref.	Part No.	Description	Qty.
1	372021	Stud, Manifold, M8 X 96	4
2	372049	Nut, Manifold, Exhaust, M8 X 1.25	8
3	372050	Manifold, Exhaust	1
4	372051	Gasket, Manifold, Exhaust	1
5	372052	Shield, Manifold, Exhaust	1
6	372053	Gasket, Manifold, Intake	1
7	372066	Bolt, Shield, Manifold, Exhaust	5
8	372020	Stud, Manifold, M8 X 28	13

Fig. 3 - Camshaft Group

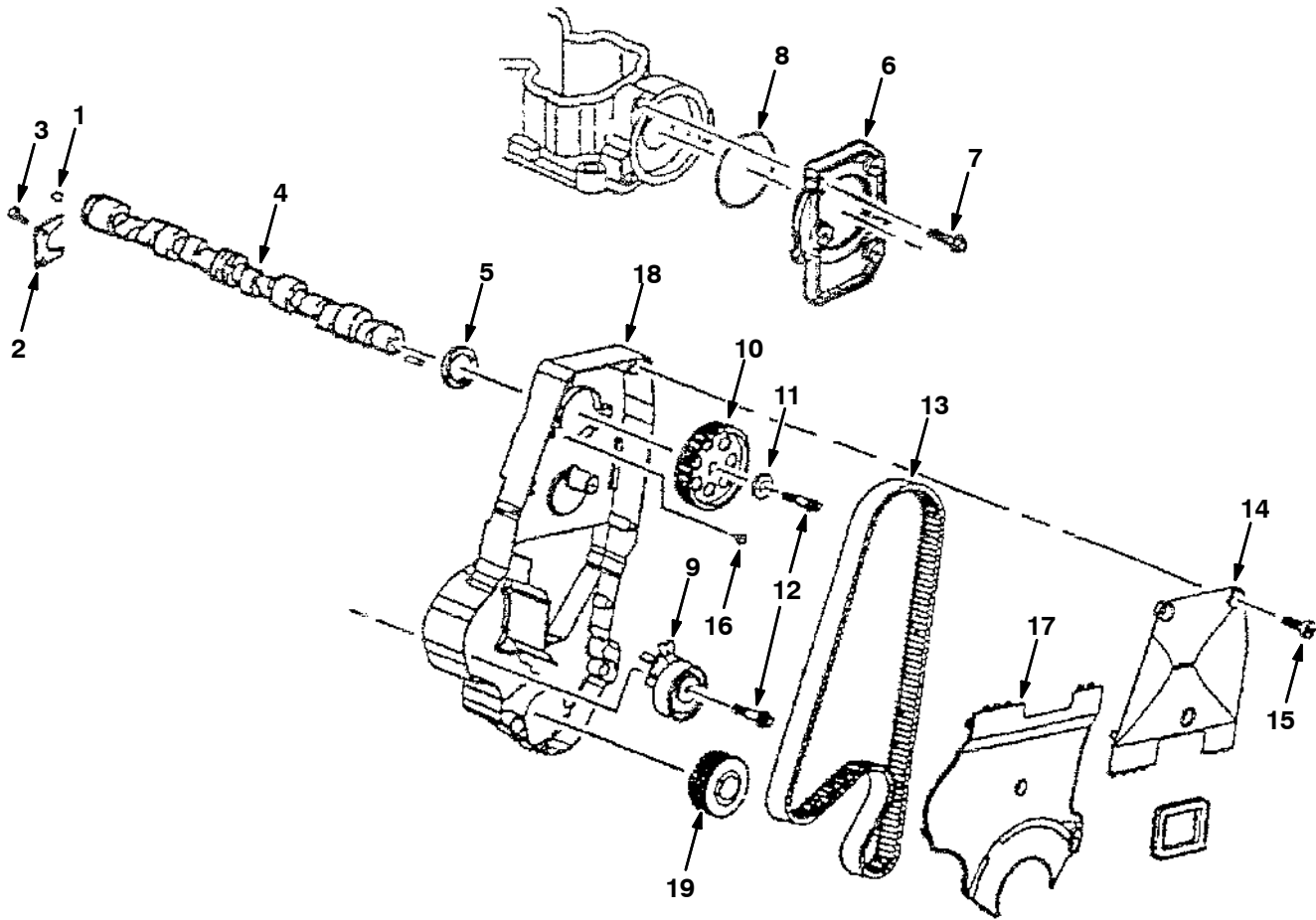
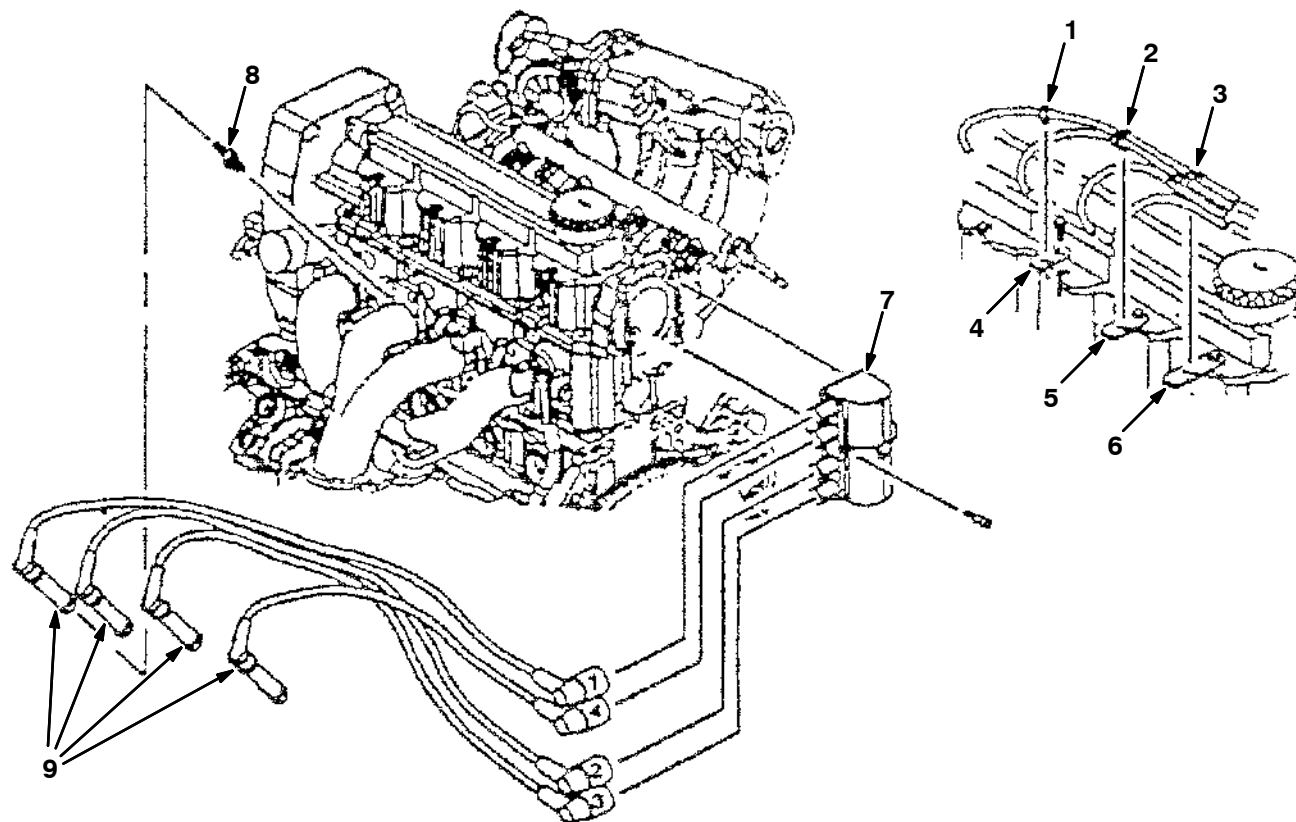


Fig. 3 - Camshaft Group

Ref.	Part No.	Description	Qty.
1	372009	Ball, Camshaft	1
2	372010	Retainer, Camshaft	1
3	372011	Bolt, Retainer, Camshaft, M6 X 1 X 16	2
4	372012	Camshaft	1
5	372013	Seal, Org, Bolt, Cover, Camshaft Hsng	1
6	372014	Cover, Hsng, Camshaft	1
7	372015	Bolt, Cover, Camshaft, M6 X 1 X 22	3
8	372016	Seal, Org, Bolt, Cover, Camshaft Hsng	1
9	372045	Pulley, Tension, Belt, Timing	1
10	372040	Sprocket, Camshaft	1
11	372017	Washer, Sprkt, Camshaft	1
12	372041	Bolt, Sprocket, Camshaft, M10x1.25x60	2
13	372042	Belt, Timing	1
14	372043	Cover, Belt, Timing, Front	1
15	371961	Bolt, Eng Cover, M6 X 1 X 13	6
16	372046	Bolt, Tensioner, Timing Belt, M8x1.25x48	1
17	372044	Cover, Belt, Timing, Upper Front	1
18	372616	Housing, Camshaft	1
19	388552	Sprocket, Crankshaft	1

Fig. 4 - Ignition Group



G, LP

Ref.	Part No.	Description	Qty.
1	372054	Retainer, Sparkplug, 1 Way	1
2	372055	Retainer, Sparkplug, 2 Way	1
3	372056	Retainer, Sparkplug, 3 Way	1
4	372057	Bracket, Retaining, Wire, Sparkplug	1
5	372058	Bracket, Retaining, Wire, Sparkplug	1
6	372059	Bracket, Retaining, Wire, Sparkplug	1
7	372060	Coil, Ignition	1
8	372575	Sparkplug	4
9	372603	Wire Set, Sparkplug [1.6]	1

Fig. 5 - Crankshaft and Piston Group

G, LP

Ref.	Part No.	Description	Qty.
▽	371932	Piston, W/ Pin, Std	1
▲	371931	Kit, Ring, Piston, Std, 78.95 - 79.02mm	4
▽ ✕	371934	Rod, Connecting, M8 X 45	4
▲	371935	Bolt, Connecting Rod	8
✕	371933	Kit, Brg, Connecting Rod, Std	1
	371936	Pulley, Cshft	1
	371937	Washer, Pulley, Cshft	1
	371938	Bolt, Pully, Cshft, M12 X 1.75 X 62	1
	371942	Plug, Coolant Hole, Eng Block	7
	371943	Plug, Core Hole, Eng Block	-
	371944	Block, Short, Eng, W/ Piston And Ring	1
	371945	Seal, Cshft Oil	1
	371946	Bolt, Cshft Brg Cap, M10 X 1.5 X 75	10
	371962	Starter, 12Vdc [Gm]	1
	371963	Bolt, Starter, M8 X 1.25 X 25	1
	371964	Stud, Starter, M8 X 1.25	1
	371965	Crankshaft	1
	371966	Kit, Brg, Cshaft, 1.995-2.001mm, Std	4
	371967	Kit, Brg, Cshaft, 2.120-2.126mm,+0.50mm	4
	371968	Kit, Brg, Cshaft, 2.114-2.120mm,+0.25mm	4
	371969	Kit, Brg, Cshaft, 1.989-1.995mm, Std	4
	371970	Kit, Brg, Cshaft, 1.989-1.995mm, Std	4
	371971	Kit, Brg, Cshaft, 1.995-2.001mm, Std	4
	371974	Sprocket, Pump, Water	1
	371976	Bolt, Flywheel	6
	371979	Flywheel	1
	371978	Pin, Lock, Transmission	2
	371980	Bolt, Cover, Water Pump	3
	371981	Pump, Water	1
	372567	Seal, Org, Cover, Water Pump	1
	372003	Bracket, Sensor, Position, Cshft	1

371962 Starter, 12vdc [Gm] (Before Mar. 2006)

384963 Starter, 12vdc [Delco] (Mar. 2006 and Newer)

GM 1.6L ENGINE BREAKDOWN

Fig. 6 - Oil Pump and Oil Pan Group

G, LP

Ref.	Part No.	Description	Qty.
▽	372572	Pump, Oil	1
▲	371947	Bolt, Cover, Oil Pump, M6 X 14	5
▲	371948	Cover, Pump, Oil	1
▲	371949	Gear, Ring, Drive, Oil Pump	1
▲	371950	Gear, Drive, Oil Pump	1
▲	371993	Spring, Valve, Relief, Oil Press	1
▲	371994	Plug, Bore, Valve, Relief, Oil Press	1
▲	371998	Gasket, Plug, Relief Valve, Oil Press	1
▽	371960	Pan, Oil, W/ Baffle / Plug / Seal	1
▲	371953	Panel, Baffle, Oil Pan, Bottom / Rear	1
▲	371987	Seal, Org, Press Switch / Drain Plug	1
▲	371992	Plug, Drain, Oil Pan, M14 X 1.5 X 12	1
▽	372001	Screen, Oil Pump, W/ Suc Pipe	1
▲	371989	Pipe, Suc, Oil Pump	1
	371951	Seal, Org, Hsng, Oil Pump	1
	371952	Plug, Hsng, Oil Pump	1
	371953	Panel, Baffle, Oil Pan, Bottom / Rear	1
	371959	Gasket, Oil Pan	1
	371961	Bolt, Oil Pan / Eng Cover, M6 X 1 X 13	5
	372005	Seal, Org, Oil Pump	1
	371983	Pin, Ring, Lock, Hsng, Water Pump	1
	371984	Gasket, Pump, Oil	1
	371986	Bolt, Pump, Oil	6
	371987	Seal, Org, Press Switch / Drain Plug	1
	371988	Seal, Ring, Pipe, Suc, Oil Pump	1
	371990	Bolt, Oil Pump Screen	2
	371991	Bolt, Brkt, Screen, Oil Pump, M6x1x12	1
	371996	Switch, Indicator, Oil Press	1
	371997	Valve, Relief, Oil Press	1
▽	372560	Dipstick, Oil Level	1
▲	371995	Seal, Org, Cap, Oil Filter	1
	371940	Tube, Indicator, Oil Level	1
	371941	Sealant, Tube, Indicator, Oil Level	-
	371972	Element, Fltr, Oil, Spin-On	1
	371973	Fitting, Filter, Oil	1
	371975	Valve, By-Pass, Oil Filter	1
	372000	Bracket, Screen, Oil Pump	1

SECTION 7

CONTENTS		PAGE
PART NUMBER TO PAGE NUMBER CROSS REFERENCE LIST		7-2
PART DESCRIPTION TO PAGE NUMBER CROSS REFERENCE LIST		7-16

CROSS REFERENCE

PART NUMBER TO PAGE NUMBER CROSS REFERENCE LIST

Part Number	Page Number	Part Number	Page Number	Part Number	Page Number
IB3614	4-20, 4-21	04843	2-83, 2-85, 2-109, 2-111, 3-31, 3-35	08085	2-103, 2-113, 2-115, 2-155, 3-41, 3-45
00500-15	4-14, 4-15	04928	2-117	08165	2-29, 2-69, 5-12
00954	4-20, 4-21	05686	2-113, 2-115, 3-33, 3-43, 3-45	08166	2-69
01314	2-41	05724	2-7	08171	2-87
01316	3-3, 3-5, 3-7	05726	2-7	08175	2-101, 2-119
01493	2-13	06279	2-109, 3-31	08179	2-105
01516	2-121	06415	2-91	08182	2-95, 2-119, 3-29
01574	2-39, 2-43	06416	2-51, 2-53	08350	2-105
01683	2-49, 2-75, 2-83, 2-97, 2-109, 2-127, 3-15, 3-31, 3-35, 3-39, 3-43	06419	3-61	08708	2-37, 2-39, 2-41, 2-43, 2-57, 2-61, 2-91, 2-143
01684	2-5, 2-7, 2-11, 2-97, 2-101, 2-123, 2-125, 2-129, 3-3, 3-5, 3-7, 3-33, 3-39, 3-65, 3-67	06532	2-39	08709	2-49, 2-53, 2-65, 2-79, 2-83, 2-85, 2-91, 2-93, 2-99, 2-105, 2-119, 2-141, 2-143, 2-157, 3-11, 3-61, 3-63, 3-77
01685	2-11, 2-19, 2-67, 2-79, 2-95, 2-107, 2-109, 2-111, 2-113, 2-115, 2-125, 2-129, 2-141, 2-143, 2-151, 2-153, 3-3, 3-5, 3-9, 3-17, 3-19, 3-29, 3-31, 3-35, 3-37, 3-39, 3-41, 3-43, 3-45, 3-72, 3-73	06535	2-147, 2-149	08711	2-33, 2-35, 2-51, 2-53, 2-101, 2-119, 3-85
01686	2-19, 2-113, 2-115, 3-35, 3-41, 3-43, 3-45, 3-61	06549	2-39, 2-43, 2-93	08712	2-97, 2-129, 3-3, 3-5, 3-33, 3-39, 3-51, 3-53
01698	3-37	06922	2-85	08713	2-69, 2-95, 2-101, 2-103, 2-107, 2-109, 2-111, 2-117, 2-125, 2-131, 3-21, 3-31, 3-35
01713	2-9	06924	2-85	08714	2-87, 2-113, 2-115, 2-117, 3-41, 3-43, 3-45, 3-61
01714	2-143	06938	2-39, 2-43	08716	2-125, 3-7, 3-39
01715	2-115, 3-45	06941	2-75	08719	2-119
01754	2-85	06942	2-73, 2-93, 3-61	09007	2-97
01757	2-85	06943	2-33, 2-35, 2-51, 2-53, 2-57, 2-61, 2-85, 3-61	09010	2-103, 2-107, 2-125, 3-31
01760	2-25	06944	2-49, 2-73, 2-91, 2-93	09011	2-109, 2-113, 3-21, 3-31, 3-35, 3-41
01762	2-101	06945	2-37, 2-41, 3-59	09023	2-111
02076	2-31	06948	2-143, 5-13	09026	2-95
02141	2-89	06955	2-83, 2-93, 2-105, 2-157	09028	2-113, 2-115, 3-45
02205	3-37	06956	2-75, 2-77	09162	2-147
02430	4-33	06957	2-65, 2-105	09198	2-5, 2-7
02506-6	3-84	06960	2-65	09294	2-89
02650	4-3	06961	2-65, 2-149	09718	3-33, 3-39
02705	4-3	06963	2-85	09739	2-49, 2-83, 2-111, 2-127, 3-15, 3-33, 3-39, 3-43
02709	4-3	06964	2-87	09740	2-11, 2-67, 2-69, 2-95, 2-101, 2-107, 2-109, 2-113, 2-115, 2-125, 2-129, 2-151, 2-153, 3-3, 3-5, 3-17, 3-19, 3-29, 3-39, 3-41, 3-45
02731	2-13	06968	2-119	09741	2-147
02738	2-37	06972	2-33, 2-35	09744	2-101
02740	2-55, 2-57, 2-59, 2-61	06974	2-147	09771	2-129
02741	2-55, 2-57, 2-59, 2-61	06988	2-103	1005375	3-11
02850	3-17, 3-19	07255	2-39, 2-63	1005564	3-11, 3-13
02887	2-29	07259	2-89	1006410	3-13
02931	2-121	07450	2-121		
03026	3-65	07562	2-55, 2-57, 2-59, 2-61, 3-75		
03192	2-69, 3-25, 3-51, 3-53, 3-81, 3-83	07565	3-75		
03495	2-121	07598	3-57, 3-59		
04414	2-31, 2-33, 2-35, 2-147	07705	5-3		
04417	2-117	07707	5-9		
04706	3-69	07710	5-11		
		07785	2-125		
		07786	2-117		
		07787	3-33		
		07790	2-33, 2-35, 2-51, 2-53, 2-69, 3-59		
		07791	2-33, 2-35, 2-69, 2-77, 2-79, 2-99, 2-133, 3-51, 3-53, 3-63		
		07792	3-51, 3-53		
		07805	3-33		
		08013N	2-5, 2-7		

CROSS REFERENCE

Part Number	Page Number	Part Number	Page Number	Part Number	Page Number
1006557	2-65	1016341	2-151	10575	3-9, 3-11, 3-13
1006898	2-69	1016624	2-69	10632-12	3-21, 3-23
1007482	2-73	1016752	2-23	10632-13	2-71, 2-73
10075	5-11	1016809	3-7	10632-18	2-91, 2-93
1008142	2-89	1016817	2-69	10632-2	2-27
1008147	2-13	1016833	2-69	10632-4	3-65
1009438	2-149	1016836	2-69	10632-9	3-21, 3-77
1009583	2-149	1016837	3-7	10664	2-145
1009660	2-65	1016838	3-19	10795	2-29
1009682	2-149	1016881	2-49	10806	5-11, 5-15
1009738	2-65	1016910	2-115, 3-45	10832	2-33, 2-35
1009810	2-65	1016912	2-115	10959	3-43
1010794	2-33, 2-35	1016914	3-45	11329	2-89
1010798	2-33, 2-35	1016918	2-77	11399	2-129, 3-11, 3-13, 3-17, 3-19
1011018	2-185	1016921	2-43	11442-1	3-57
1011019	2-185	1016935	2-9	11442-3	3-3, 3-5, 3-7
1011020	2-185	1016949	2-143	11531	2-67, 2-71
1011107	2-49	1017049	2-75	11631	2-101
1011546	2-143	1017076	3-5, 3-7	11984	2-37, 3-65
1011739	2-57, 2-61	1017090	2-65	12273	2-9, 2-11, 2-69, 2-95, 2-117, 3-29, 3-37
1011757	2-61	1017141	2-186	12277	2-101, 3-51, 3-53
1011761	2-57, 2-61	1017185	3-33	12316	2-127, 3-15
1011780	2-57, 2-61	1017252	3-61	12317	2-115, 3-45
1011799	2-73	1017314	2-3, 2-65	12333	2-9
1011808	2-73	1017445	3-33	12364	2-105
1011820	2-73	1017560	2-151, 3-61	12459	2-9, 2-89, 2-95, 3-51, 3-53
1011886	2-95	1017577	2-73	12685	3-37
1011895	2-49	1017591	2-153	12955	2-109, 3-43
1012092	2-149, 4-9	1017646	2-23	13015	2-79
1012185	2-13	1017713	2-139	13248	2-69, 2-71, 2-73, 2-117, 2-157
1012535	2-49	1017818	3-61	13292	3-13
1013086	2-49	1018018	2-73	13513	2-85
1013125	2-79	1018033	2-89	13902	4-25, 4-27, 4-29, 4-31
1013134	2-133	1018059AM	2-73	13904	4-23, 4-25, 4-27, 4-29
1013168	2-57, 2-61	1018328	2-119	13907	3-37, 4-5
1013321	2-39	1018352	2-73	14242	2-87
1013420	2-79, 3-61	1018459	2-79	14432	2-55, 2-59, 2-121, 3-47
1013509	2-49	1018544	2-69	14524	3-33, 3-39
1013514	2-49	1018599	2-65	14595-1	2-83, 2-103
1013590	2-69	1018940	2-85	14601	2-85
10137	2-79	1018964	2-85	14605	2-83, 2-103
1014843	2-75, 2-77	1018983	2-85	14725	3-33, 3-39
1014930	3-11, 3-13	1019040	2-85	14734	3-11
1014934	3-13	1019285	2-125	14838	2-5, 2-7
1014976	3-19	1019912	2-49	14864	2-127, 3-15
1015045	3-13	1019939	2-49	14877	3-9, 3-11, 3-13
1015048	3-7, 3-13	1019940	2-49	14880	2-127, 3-15
1015515	2-151, 2-153	1020022	2-121	14951	3-55
1015547	2-39	1020029	2-151	14953	2-5
1015632	2-69	1020086	2-49	14967	2-5
1015673	2-143	1020305	3-61	15539	2-5, 2-7
1015835	2-69	1020370	3-61	15648	2-109, 3-31, 3-35
1015836	2-69	1022199	2-13	15675	2-11, 2-19, 2-107, 3-9, 3-72
1015930	2-39, 2-44	1022211	2-13	15678	2-123, 2-129
1015982	2-69	1022213	2-15		
1016016	2-143	1022364	2-39		
1016075	2-69	1023823	2-85		
1016156	2-119	1023853	2-75, 2-77		
1016160	2-151, 2-153	1024622	3-61		
1016315	2-153	1027299	2-65		

CROSS REFERENCE

Part Number	Page Number	Part Number	Page Number	Part Number	Page Number
15687	2-29	21602	2-121	24199	2-49, 2-83, 2-109, 3-31, 3-35
16213	2-141, 2-143	21603	2-121	24265	3-7, 3-17, 3-19
16387	2-49	21606	2-121	24299	2-5, 2-7
16455	3-33	21657	4-33	24339	2-87
16456	2-119	21659	4-33	24358	2-123, 2-127, 3-15
16463	2-139	21784	5-12	24544	3-9
16695	4-14, 4-15, 4-17	21785	5-12	24555	2-121
16735	2-13, 2-39, 2-73, 2-157	21903	2-155	24584	2-39
16738	2-37	21906	4-31	24672	2-11
16816	2-147	21916	4-25, 4-27, 4-29, 4-31, 4-32	24899AM	2-101
16863	2-151, 2-153	21919	4-25, 4-27, 4-29	24924	2-37
16914	2-129	21923	4-29	24928-1	2-51, 2-53
16930	2-85	21925	4-3, 4-5	24976	2-37
16931	2-53, 2-65, 2-85, 2-87, 2-99, 2-105, 2-141, 2-143, 3-11, 3-61, 3-63, 3-77, 3-81, 3-83	21926	4-3	25046	2-143
16944	3-81, 3-83	21927	4-3	25048	2-85
16949	2-51	21928	4-3	25049	2-141, 2-143
16953	2-63	21929	4-3	25312	3-74
17188	3-3, 3-5	21931	4-29	25603	3-9
17260	2-5	21961	4-23	25611	2-107, 3-37
17261	2-5	21963	4-3, 4-5	25730	2-113, 2-115, 3-41, 3-45
17262	2-5	222159	2-9	25736AM	2-113, 2-115, 3-41, 3-45
17263	2-5	222196	2-85	25887	2-101
17404	2-89	222210	2-83	26395-2	2-49
17414	2-29, 2-51, 2-53, 3-61	222277	3-31, 3-35	26431	5-14
17461	2-95, 3-35	222460	2-93, 2-105, 3-35, 3-59	26496	2-51, 2-53, 3-61
17870	2-105	222516	2-109, 3-31	27048	2-49, 2-51, 2-53, 3-61
17980	2-29	222556	2-109, 3-31, 3-35	27108	2-103
18595	2-107, 3-37	222604	3-17, 3-19	27763	4-14
19066	2-37, 2-41, 2-65, 2-85	222822	2-125, 3-11, 3-13	27767	2-39
19191	2-107, 3-37	22290	3-69	27920	2-13
19200	2-29	22297	2-73	27988	2-65
19205	5-11	22308	2-51, 3-59	28835	4-14
19252	2-31	223499	2-123	29217	3-43
19315	2-33, 2-35	223528	2-125, 3-9	29233	3-55
19580	2-65	223533	2-127, 3-15	29558	2-113, 3-41
19583	2-87	22602	4-23	30013	3-51, 3-53
19645	2-139	22604	2-87, 4-11	30241	2-7
19689	2-29	22609	4-15, 4-17	30251	2-101
19747	2-29	22614	4-15	30252	2-101
19774	2-37, 2-51	22615	4-15, 4-17	30253	2-101
19903	3-81, 3-83	22616	4-29	30255	2-101
20021	3-35	22621	4-17	30305	2-37, 2-41
20634	2-97	22622	4-17	30316	2-29
20802	2-23, 2-25	22649	4-25, 4-27	30327	2-125, 5-12
20810	2-123	23005	2-119	30407	2-31
20833	2-3, 2-121	23007	2-119	30468	2-29
20932	3-81, 3-83	23156	2-51, 2-53, 3-61	30533	3-71
20944	3-17, 3-19	23456	3-81, 3-83	30550	2-29
20950	3-17, 3-19	23524	2-119	30553	2-63
20951	3-17, 3-19	23683	3-33, 3-35	31354	4-14
20952	3-17, 3-19	23999-8	2-113, 2-115, 3-43, 3-45	31375	4-14
21168	2-107	24012	2-67, 2-69	31377	4-17
21195	2-33, 2-35	24013	2-29	31379	4-14
21197	2-143	24047	2-51, 2-53, 3-61	31381	4-15
21586	2-3, 2-121	24105	3-3, 3-5, 3-7	31384	4-17
21601	2-121	24174	2-127, 3-15	31517	2-71
		24196	2-111, 3-33, 3-39, 3-43	31518	2-71

CROSS REFERENCE

Part Number	Page Number	Part Number	Page Number	Part Number	Page Number
31526	2-63	32978	2-49	360273	2-81
31543	2-37	32981	2-49, 2-85, 2-141,	360274	2-81
31568	2-139		2-143, 2-151, 2-153	360275	2-81
31599	3-37	32983	2-65, 2-143	360276	2-81
31605	2-155	32987	2-87	360296	3-79
31613	2-3, 2-151, 2-153	32990	2-143	360343	2-141, 2-143
31704	2-101	330060	3-86	360349	2-101
31755	2-71, 2-73	330062	3-86	360414	2-105
31775	2-9	330063	3-86	360424	2-95
31922	3-77	330065	3-86	360454	2-105
32087	3-21	330710	3-86	360455	2-89
32126	2-87	33123	2-113, 3-43	360467	2-155
32183	2-51	33295	3-3, 3-5, 3-7	360492	2-101
32261	2-11	33329	2-69	36050	2-3, 2-37
32376	2-29	33342	2-103	360520	2-13, 3-21, 3-23
32483	2-39, 2-43, 2-53, 2-57,	33401	2-117, 2-143	360521	2-13
	2-61, 2-93, 2-143, 5-3	33580	4-11, 4-13	360604	2-91
32485	2-33, 2-35, 2-65, 2-85,	33671	2-79, 3-61	360711	3-69
	2-87, 2-119, 2-143,	33723	2-139	360768	2-89
	2-149	33932	3-7	360773	2-13
32486	2-103, 2-119, 2-147	33933	2-89	360801	2-103, 2-105, 2-125,
32490	2-33, 2-35, 2-39, 2-43,	33951	2-37, 2-41		2-143
	2-49, 2-51, 2-53, 2-73,	34176	4-15	360802	2-81
	2-75, 2-77, 2-91, 2-93,	34178	4-11, 4-13	360822	2-91
	2-141, 2-143, 2-151,	34179	4-11	360824	2-93
	2-153, 3-51, 3-53,	34312	2-133	360826	2-93
	3-59, 3-61	34323	2-147	360844	2-95
32491	2-9, 2-13, 2-39, 2-49,	34357	2-145	360867	2-21
	2-53, 2-73, 2-79, 2-85,	34359	2-87, 2-95, 2-147	360883	3-51, 3-53
	2-87, 2-91, 2-93, 2-99,	34368	2-139	360893	2-91
	2-105, 2-143, 3-11,	34392	2-107	360894	2-91
	3-61, 3-63, 3-77, 3-81,	34420	3-37	360943	2-91, 2-97
	3-83	34821	3-61	360961	2-105
32492	2-33, 2-35, 2-65, 2-73,	35255	3-37	360973	3-51, 3-53
	2-85, 2-99, 2-105,	35707	3-61	361070	2-103
	2-113, 2-115, 2-119,	35710	3-61	361072	2-13
	2-149, 3-25, 3-27,	35843	3-85	361075	2-13, 3-65, 3-67
	3-43, 3-45, 3-51, 3-53,	35973	2-101	361086	3-33
	3-81, 3-83	360023	2-81	361160	3-23
32493	2-33, 2-35, 2-93	360028	2-103	361292	3-51, 3-53
32494	2-143	360064	2-89	361331	3-51, 3-53
32501	2-127, 3-15, 3-17,	360071	2-81	361339	2-91
	3-19	360072	2-81	361555	2-101
32508	2-127, 3-15, 3-17,	360073	2-81	361670	3-53
	3-19	360074	2-81	361975	3-21, 3-23
32521	2-99	360077	2-89	36253	5-15
32613	2-127, 3-15, 3-17,	360078	2-103	36254	5-15
	3-19	360081	2-103	36257	5-9, 5-13
32614	2-127, 3-15, 3-17,	360107	2-101	36259	5-9
	3-19	360132	2-101	36263	5-5
32669	2-127, 3-15, 3-17,	360134	2-3, 2-9	36264	5-5
	3-19	360136	2-3, 2-9	36267	5-5
32716	2-113, 2-115, 3-33,	360137	2-9	36268	5-5
	3-43, 3-45	360138	2-9	36272	5-5
32731	2-69, 2-115, 2-117	360152	2-87	36273	5-5
32746	2-5, 2-7	360162	3-79	36274	5-5
32815	2-75, 2-77	360199	2-97	36275	5-5
32899	2-83, 2-85, 2-103,	360270	2-81	36276	5-5
	2-143	360271	2-81	36278	5-5
32960	2-115, 3-45	360272	2-81	36279	5-3

CROSS REFERENCE

Part Number	Page Number	Part Number	Page Number	Part Number	Page Number
36281	5-3	364105	2-107, 3-37, 4-15	36432	5-9
36297	5-3	364107	2-131, 4-20	36433	5-9
36298	5-3	364108	2-103, 4-17	364336	2-123
36300	5-3	364111	5-8	364342	2-83
36307	5-3	364112	2-133, 4-21	364343	2-83
363113	3-39	364114	2-157, 4-29	364347	2-83
363120	3-31, 3-35	364115	2-157, 4-25	364348	2-83
36315	5-3	364116	3-33, 4-32	364350	2-121
36318	5-3	364117	4-31	364351	2-121
36319	5-3	364118	2-155, 4-23	364352	2-119
36322	5-8	364119	2-95	364353	2-119
36324	5-3	36412	5-8	364358	2-119
36328	2-89	364120	3-37	364368	2-119
36330	5-3	36413	5-8	364369	2-119
36331	5-3	36414	5-8	364373	2-117
363311	3-47	36415	5-8	364374	2-117
36332	5-13	36416	5-8	36438	3-77
36338	5-13	36418	5-9	364380	2-107
36339	5-13, 5-14	364181	2-185	364381	2-125
36340	5-7	364182	2-185	364383	2-67
363401	3-47	364183	3-23	364384	2-67
36342	5-7	36419	5-9	364389	2-71
363426	2-97	364200	2-121	36439	3-77
36343	5-7	36421	5-9	364392	2-133
36344	5-7	364213	2-121	364394	2-125
36345	5-7	364215	2-121	364395	2-125
36348	5-7	364216	2-117	364396	2-71, 2-73
36349	5-7	364221	2-117	364397	2-141
36372	5-7	364222	2-117	364399	2-67
36373	5-7, 5-11	364223	2-115, 3-41, 3-45	364404	3-33, 3-39
36374	5-7	364227	2-115	364408	3-33
36375	5-7	36423	5-9	364413	2-113, 2-115, 3-43, 3-45
36381	5-7	364235	2-113	364416	2-113
36382	5-7	36424	5-9	364419AM	2-121
36383	5-7	364242	2-115	364420	3-39
36384	5-7	364243	2-113	364421	3-17, 3-19
36389	5-7	364246	2-113, 2-115	364422	3-47
36390	5-7	364248	2-115	364423	3-47
36402	5-7	364249	2-117	364424	3-17, 3-19
364022	3-33	364250	2-93	364432	3-31, 3-35
364026	2-31	364254	2-67	364434	2-55
364028	2-147	364275	2-13	364435	2-125
364029	2-55, 2-59	364277	2-21	364436	2-125
364030	2-147	364280	2-91	364437	2-123
364042	2-63	364281	2-99	364438	2-125
364045	2-63	364290	2-101	364439	2-19
364047	2-3, 2-147	364291	2-17	364441	2-125, 2-131
36405	5-7	364292	2-17	364442	2-131
36406	5-7	364294	2-25	364445	2-71
36407	5-7	364295	2-25	364447	2-109, 3-31, 3-35
36408	5-7	36430	5-9	364448	3-31
364084	2-151, 2-153	364301	2-25	36445	5-9
364085	2-9	364302	2-25	364451	2-125
364086	2-109, 3-31	364304	2-13	364456	2-67
36409	5-7	36431	5-9, 5-11, 5-14	364461	2-91
36410	5-8	364310	2-17	364462	2-3, 2-91
364101	2-147, 4-8	364311	3-69	364467	2-107
364102	2-145, 4-7	364313	2-186	364468	2-107
364103	2-145, 4-3	364314	2-186	364469	2-107
364104	2-101, 4-14	364315	2-157		

CROSS REFERENCE

Part Number	Page Number	Part Number	Page Number	Part Number	Page Number
364470	2-93	36463	5-9	364738	3-35
364471	2-93	364630	3-27	364739	2-105
364473	2-91	364631	3-37	364740	2-105
364474	2-91	364634	2-85	364741	2-133
364476	2-95	364637	2-129	364743	2-47
364477	2-95	364638	3-3, 4-34	364744	2-151, 2-153, 3-57, 3-59
364478	2-95	364643	3-45	364745	2-47, 2-49
364480	2-95	364648	3-43	364746	2-131
364481	2-93	364649	3-43	364749	3-35
364482	2-91	364650	3-45	364751	3-39
364486	2-131	364654	3-17	364762	2-125
364487	2-95	364655	3-41	364764	2-133
364488	2-93	36466	2-115, 3-45	364769	2-101
364489	2-93	364663	3-41	364770	2-101
364496	2-93	364664	3-41	364774	2-11
364498	2-89	364665	3-45	364775	2-3, 2-11
364502	2-47	364666	3-17, 3-19	364776	2-11
364505	3-37	364668	3-17	364780	2-141
364509	2-31	364669	3-17	364783	2-37
364511	2-97	36467	5-9	364791	2-25
364515	2-91	364671	2-85	364802	2-93
364516	2-3, 2-91	364672	2-89	364803	2-67
364517	2-23	364673	2-123	364805	2-67
364521	2-31	364679	2-103	364812	2-105
364523	2-133	364680	3-27	364814	2-99
364524	2-83	364682	2-105	364817	2-15
364525	2-133	364683	2-105	364818	2-15
36454	5-9	364684	2-105	364819	2-15
364542	3-3, 3-5	364685	2-105	364820	2-15
364543	3-3, 3-5	364688	2-3, 2-95	364821	2-15
364545	3-3, 3-5	364689	2-105	364822	2-15
364546	2-27	36469	5-9	364823	2-15
364547	2-71	364691	2-11	364826	2-87
364552	2-153, 3-57, 3-59, 3-61	364692	2-3, 2-11	364827	2-87
364553	2-47, 2-49	364693	2-25, 3-63	364828	2-51
364554	2-51, 2-53	364694	2-25, 3-63	36483	5-9
364559	3-72, 3-73	364695	2-25	364831	2-123
364560	2-151, 2-153	364696	2-25	364832	2-67
364570	3-25	364697	2-99	364833	2-151, 2-153, 3-57, 3-59
364573	3-25	364698	2-99	364834	2-123
364578	2-95	364701	2-25, 3-63	364835	3-39
364580	2-95	364705	3-29	364837	2-15
364587	2-89	364706	3-29	364838	2-15
364592	2-109	364707	3-29	364839	2-15
364594	2-99	364708	2-25	364842	2-15
364605	2-99	364709	2-25	364844	2-99
364608	2-25	364710	2-11	364845	2-55, 2-59
364609	2-25	364711	2-11	364846	3-71
364610	2-15	364712	2-129, 3-11, 3-13	364851	3-72
364611	2-109	364713	2-9	364855	2-59
364612	2-111	364714	2-9	364856	3-73
364613	2-111	364715	2-9	364858	3-33, 3-39
364614	2-111, 3-33	364721	2-105	364861	2-87
364617	2-85	364722	2-105	364863	2-87
364619	2-125	364723	2-91	364864	2-83
364620	2-129, 3-11, 3-13	364725	2-125	364866	3-3
364621	2-131	364734	3-35	364869	2-27
364624	2-109, 3-31	364735	3-39	364870	2-71, 2-73
364625	3-35	364736	3-39		
		364737	3-35		

CROSS REFERENCE

Part Number	Page Number	Part Number	Page Number	Part Number	Page Number
364874	2-27	364993	2-139	365100	3-83
364875	2-9	364998	2-139	365102	3-67
364878	3-55	364999	2-139	365103	2-51
364881	3-21	365000	2-139	365104	2-51
364884	3-21	365003	2-139	365105	3-33, 4-27
364885	2-109	365004	2-139	365113	3-17, 3-19
364887	3-21	365005	2-139	365114	2-89
364888	2-9	365006	2-139	365115	2-89
364889	2-141, 2-143	365007	2-139	365116	2-79
364890	3-3	365008	3-37	365118	2-71
364893	2-67	365009	3-37	365123	2-123
364894	3-3	365013	2-139	365124	2-125
364895	3-3, 3-5	365014	2-139	365125	2-51
364896	3-3	365017	2-147	365126	2-3, 2-97
364897	3-3, 3-11	365020	2-87	365127	2-47, 2-49
364898	3-9	365022	2-147, 2-151, 2-153	365128	3-57
364899	3-3, 3-5	365023	2-23, 3-63	365129	2-97
364908	2-85	365026	2-129	365130	3-45
364912	3-57	365027	3-57, 3-59	365131	3-57
364913	3-57, 3-59	365029	3-57	365132	3-53
364919	2-117	365030	2-109, 3-31, 3-35	365133	3-53
364921	3-29	365031	2-99	365134	3-51, 3-53
364922	2-186	365032	3-23	365135	3-51, 3-53
364926	2-25	365033	3-23	365136	3-53
364927	2-155	365034	3-25	365137	3-53
364928	2-15	365035	3-25	365140	2-121
36493	5-9	365036	3-23	365148	3-41
364930	2-9	365039	2-129	365149	3-37
364934	2-83	365040	2-129	365150	3-17, 3-19
364936	2-85	365042	2-129	365151	3-81, 3-83
364940	2-17	365043	2-129	365152	3-81, 3-83
364942	2-17	365044	2-129	365153	3-81, 3-83
364943	2-17	365046	2-129	365154	3-83
364948	2-85	365053	3-29	365156	2-109, 3-31, 3-37
364950	2-129	365054	2-15	365157	2-99
364951	2-85	365056	2-139	365158	2-9
364953	3-25	365057	2-139	365159	2-9
364954	2-129	365058	2-139	365161	2-3
364958	2-147	365060	2-9	365162	2-3
364960	2-3, 2-91	365063	2-11	365164	2-107, 3-37
364961	2-155	365067	2-151	365169	2-51, 2-53
364962	2-103	365068	3-65	365170	2-101
364963	2-103	365071	2-11	365171	2-13
364964	2-139	365073	2-145	365172	2-107
364965	2-15	365074	2-85	365174	4-34
364968	2-13	365077	2-13	365179	2-129
364969	2-13	365082	2-91	365180	2-109, 3-31, 3-35, 3-43
364971	2-29	365083	2-113	365184	3-81, 3-83
364972	2-29	365086	2-57, 2-61, 3-57, 3-59	365186	2-131
364973	3-73	365087	3-57, 3-59	365188	2-85
364975	2-123	365088	3-57	365189	2-47
364977	2-139	365090	2-85	365190	2-49
364978	2-139	365091	2-139	365191	3-9, 3-11, 3-13
364980	2-139	365092	2-139	365192	3-77
364981	2-139	365093	2-129	365197	3-57, 3-59, 3-61
364983	2-139	365094	3-17, 3-19	365199	3-77
364984	2-139	365095	2-107, 3-37	365201	3-17
364985	2-139	365096	3-17, 3-19	365202	3-77
364990	2-139	365097	3-86	365203	3-25
364991	2-139	365099	3-81		

CROSS REFERENCE

Part Number	Page Number	Part Number	Page Number	Part Number	Page Number
365204	3-25	365355	3-63	370186	3-63
365205	3-57, 3-59	365356	3-63	37053	5-11
365207	2-117	365359	3-59, 3-61	37098	5-11
365211	2-119	365360	3-63	37099	5-11
365213	2-119	365361	3-63	37127	5-11
365214	2-25	365362	3-63	371527	2-65
365215	2-17	365363	2-147	37157	5-11
365220	2-153	365366	2-25	371790	3-86
365222	2-51	365386	2-13	37181	5-9, 5-14
365223	2-153	365387	2-13	371854	2-57, 2-61
365225	2-153	365388	2-13	371855	2-33, 2-35
365231	3-35	365392	2-15	371860	2-33, 2-35
365232	3-43	365394	2-113, 2-115	371861	2-69
365233	3-43	365395	3-41	371863	2-65
365234	3-35	365396	3-45	371865	2-65
365239	3-35	365402	2-141	371866	2-33, 2-35
365240	2-121	365406	2-119	371868	2-33, 2-35
365247	2-91	365414	2-125, 3-11, 3-13	371869	2-33, 2-35
365248	2-91	365422	2-143	371870	2-33, 2-35
365250	2-125	365432	2-85	371871	2-65
365251	2-125	365436	2-143	371872	2-65
365252	2-9	36590	5-9	371875	2-65
365257	2-125	36591	5-18	371876	2-33, 2-35
365259	2-71	36630	5-18	371877	2-65
365261	3-49	36643	2-65, 2-113, 3-43	37189	5-14
365266	3-49	36646	5-18	371890	2-33, 2-35
365267	3-49	36658	2-97	371905	3-81, 3-83
365269	3-49	36661	2-97	37193	5-14
365271	2-119	36666	2-97	371931	6-9
365272	3-65, 3-67	36748	5-11	371932	6-9
365273	3-65, 3-67	36758	2-113	371933	6-9
365274	2-103	367584	3-63	371934	6-9
365277	2-119	36764	5-11	371935	6-9
365282	3-51	36765	5-11	371936	6-9
365283	3-51	36780	5-11	371937	6-9
365285	3-51	368132	2-73	371938	6-9
365286	3-51	36867	5-11	37194	5-12
365290	3-51	36881	5-11	371940	6-10
365297	2-13	36904	5-11	371941	6-10
365312	3-85	36923	5-11	371942	6-9
365313	3-85	36924	5-11	371943	6-9
365317	3-85	369320	3-9	371944	6-9
365321	3-85	369704	2-13	371945	6-9
365322	2-121	369766	2-125, 3-11	371946	6-9
365323	2-121	369767	2-23	371947	6-10
365324	2-121	369850	2-129	371948	6-10
365327	2-51, 2-53	369869	3-11, 3-13	371949	6-10
365328	2-51, 2-53	36996	2-147	37195	5-12
365329	3-63	370010	2-5, 2-7	371950	6-10
365332	3-63	370016	2-7	371951	6-10
365341	3-63	370020	2-5	371952	6-10
365344	3-63	370025	2-5, 2-7	371953	6-10
365345	3-63	370076	2-7	371954	6-3
365347	3-59, 3-61	370080	2-5	371955	6-3
365348	3-63	370090	2-5, 2-7	371956	6-3
365350	2-23	370092	2-7	371957	6-3
365351	3-63	370094	2-5	371958	6-3
365352	3-63	370171	2-17	371959	6-10
365353	3-63	370172	2-17	37196	5-12
365354	3-63	370185	2-147	371960	6-10

CROSS REFERENCE

Part Number	Page Number	Part Number	Page Number	Part Number	Page Number
371961	6-7, 6-10	372025	6-3	372534	2-39
371962	6-9	372026	6-3	372537	2-39, 2-43
371963	6-9	372027	6-3	372539	2-39
371964	6-9	372028	6-3	372541	2-33, 2-35
371965	6-9	372029	6-3	372542	2-39
371966	6-9	372030	6-3	372543	2-39
371967	6-9	372031	6-3	372544	2-39, 2-43
371968	6-9	372032	6-3	372545	2-39
371969	6-9	372033	6-3	372546	2-39
371970	6-9	372034	6-3	372547	2-39, 2-43
371971	6-9	372035	6-3	372548	2-43
371972	2-3, 2-33, 2-35, 6-10	372036	6-3	372549	2-39, 2-43
371973	6-10	372037	6-3	372550	2-39, 2-43
371974	6-9	372038	6-3	372554	2-33, 2-35
371975	6-10	372039	6-3	372556	2-33
371976	6-9	372040	6-7	372558	2-43
371978	6-9	372041	6-7	372560	6-10
371979	6-9	372042	6-7	372563	2-39
37198	5-12	372043	6-7	372566	2-39
371980	6-9	372044	6-7	372567	6-9
371981	6-9	372045	6-7	372569	2-43
371983	6-10	372046	6-7	372572	6-10
371984	6-10	372047	6-3	372573	6-3
371986	6-10	372048	6-3	372574	6-3
371987	6-10	372049	6-5	372575	2-3, 6-8
371988	6-10	372050	6-5	372576	2-43
371989	6-10	372051	6-5	372577	2-43
371990	6-3, 6-10	372052	6-5	372579	2-43
371991	6-10	372053	6-5	372580	2-43
371992	6-10	372054	6-8	372581	2-44
371993	6-10	372055	6-8	372582	2-43
371994	6-10	372056	6-8	372603	6-8
371995	6-10	372057	6-8	372605	2-43
371996	2-33, 2-35, 6-10	372058	6-8	372606	2-43
371997	6-10	372059	6-8	372607	2-43
371998	6-10	372060	6-8	372608	2-44
371999	6-3	372066	6-5	372609	2-43
372000	6-10	372235	2-185	372610	2-43
372001	6-10	372236	2-185	372611	2-43
372002	2-33, 2-35	372237	2-185	372612	2-44
372003	6-9	372440	2-3, 2-49	372613	2-44
372005	6-10	372482	2-39, 2-43	372615	2-44
372007	6-3	372484	2-43	372616	6-7
372008	6-3	372489	2-39	372857	2-43
372009	6-7	372491	2-33, 2-35	372858	2-39
372010	6-7	372493	2-39, 2-43	372862	2-33, 2-35
372011	6-7	372498	2-43	372863	3-86
372012	6-7	372500	2-43	372882	6-3
372013	6-7	372501	2-44	372898	2-43
372014	6-7	372503	2-44	372953	2-33, 2-35
372015	6-7	372506	2-43	37306	5-7
372016	6-7	372507	2-43	37307	5-7
372017	6-3, 6-7	372510	2-43	37312	5-9
372018	6-3	372511	2-43	37313	5-3, 5-5
372019	6-3	372512	2-43	37316	5-7
372020	6-5	372514	2-43	37317	5-7
372021	6-5	372515	2-43	373201	4-7, 4-8, 4-9
372022	6-3	372517	2-43	373202	4-7
372023	6-3	372518	2-43	373203	4-7
372024	6-3	372528	2-43	373204	4-7

CROSS REFERENCE

Part Number	Page Number	Part Number	Page Number	Part Number	Page Number
373205	4-7	374667	5-17	39046	2-3, 5-17
373206	4-7	374668	5-17	39047	5-13
373207	4-7, 4-8, 4-9	374669	5-17	391896	2-185
373208	4-7, 4-8, 4-9	374670	5-17	391945	3-13
373209	4-8, 4-9	374671	5-17	39210	3-37
37321	5-9	374672	5-17	392629	2-49
373210	4-8, 4-9	375010	4-34	392645	2-53
373211	4-8, 4-9	375014	3-81, 3-83	39277	2-65, 2-79, 2-93, 2-105, 2-143, 3-51, 3-53, 3-61, 3-63
373212	4-8, 4-9	375200	2-123, 2-127, 3-15	39281	2-119
373213	4-8, 4-9	375201	3-81	39283	2-33, 2-35, 2-149, 3-27
373214	4-8, 4-9	375302	2-125, 3-11, 3-13	39284	2-69, 2-73, 3-85
373215	4-8, 4-9	375322	3-3, 3-5, 3-7	39285	2-99
373217	4-13	375408	2-19	39308	2-109
373226	4-13	375411	2-19	39311	2-39
373236	4-13	375412	2-37, 2-41	39312	2-85
373260	4-13	375413	2-37, 2-41	393209	2-65
37327	2-29, 5-14	375414	2-37, 2-41	39323	2-147
373291	4-13	375418	3-59	393303	2-147
373297	4-13	375419	2-37, 2-41	393305	2-147
373298	4-13	375424	3-11, 3-13	393309	2-31
373299	4-13	375426	2-125, 3-11, 3-13	393312	2-147
373317	4-5	375427	3-11	393313	2-147
373327	4-5	375429	3-9	393314	2-147
373346	4-5	375430	3-9	393320	3-9
373347	4-5	37555	4-14, 4-15, 4-17	393321	2-125
373348	4-5	37616	4-11, 4-13	393406	2-113, 2-115, 3-41, 3-45
37337	5-7	37693	5-7	393410	3-45
373389	4-5	37694	5-7	393416	3-11
373391	4-5	377218	2-53, 3-61	393417	3-11
373393	4-5	377334	3-5, 3-7	393419	3-11, 3-13
373394	4-5	377338	2-51, 2-53	39346	2-105, 3-85
373395	4-5	377349	2-127, 3-11, 3-13	39347	2-83
373398	4-5	377351	2-107	39349	2-19, 2-39, 2-65, 2-83, 2-105, 3-51, 3-53
373402	4-5	37756	4-11, 4-13	39350	2-9, 2-87
373413	4-5	37766	4-11	39395	2-101
373427	4-5	378951	2-5	39396	2-103
373429	4-5	379030	3-33	394916	2-185
37343	5-9	379120	2-89	394921	2-185
373434	4-5	379609	2-87, 4-13	39527	4-14, 4-15
373455	2-145, 4-5	379829	3-33	39658	2-89
373492	4-5	38242	5-7	39703-2	2-3, 2-29
373493	4-5	382516	2-13	39780-1	2-41
37403	5-11	38255	4-11, 4-13	39780-2	3-65
374127	2-37, 2-41	382726	2-37, 2-41	39785	2-65
374174	2-109, 3-31, 3-35	383146	2-33, 2-35	39810	2-33, 2-35
374190	2-109, 3-31, 3-35	383165	2-13	398345	2-3
374280	2-37, 2-41	385667	3-9	398468	2-49
374281	2-37, 2-41	385750	2-125, 3-9, 3-11	398509	2-185
374282	2-37, 2-41	388552	6-7	398850	2-125
374516	2-3, 2-63	38968	4-11, 4-13	39924	3-65
374550	2-155	38978	3-86	39987	2-141, 2-143
374618	3-81, 3-83	39025	5-17	40566	3-3, 3-5, 3-7
374625	2-37, 2-41	39026	5-17	40585	2-47
374632	5-5	39038	5-17	40607	2-125, 3-9, 3-11, 3-13, 3-65
374637	2-37	39040	5-17		
374638	2-37	39041	5-17		
374639	2-37	39042	5-17		
374648	2-51	39043	5-17		
374649	2-51	39044	5-17		
374666	5-17	39045	5-17		

CROSS REFERENCE

Part Number	Page Number	Part Number	Page Number	Part Number	Page Number
40678-1	3-9	45779	2-91, 3-21, 3-23	53400-1	2-51, 2-53, 3-57, 3-59, 3-61
40755	2-145, 2-151, 2-153	46236	3-21, 3-65	53400-4	2-51, 2-53, 3-57, 3-59, 3-61
40758	2-9	46559	2-103	53468	2-107
41130	2-131, 2-133	46563	2-83, 2-125	53601	2-87
41141	2-63	46657	2-99	53845	3-72
41142	2-31, 2-33, 2-35, 2-63	47501	2-103	53984	2-103
41178	2-71, 2-91, 2-107, 3-51, 3-53	47512	2-103, 2-157	54087	2-87
41186	2-23, 2-65, 2-117, 2-119, 2-141, 2-143, 2-145, 3-63	47513	3-37	54096	2-109, 2-119, 3-31, 3-35
41305	2-113, 2-115, 2-119, 3-41, 3-43, 3-45	47522	2-151, 2-153, 3-33	54121	2-97
41311	4-34	47585	3-69	54274	2-71, 2-73, 2-131, 2-133, 2-157
41315	2-129	47655	2-145	54275A	2-131, 2-133
41342	2-83, 2-119	47719	2-87	54333	2-49
41346	3-85	47720	2-51, 3-59	54390	2-81
41359	2-33, 2-35, 2-85	47801	2-87	54396	2-19
41361	2-31	48267	2-47, 2-49	54607	2-83
41421	2-127, 3-15	48589	2-87	54618AM	2-147
41430	2-73, 2-99, 2-105, 2-119, 2-149, 3-25	48609	3-55	54663	2-99
41437	3-41	48732	2-89	54848	2-99
41451	2-127, 3-15	48733	3-81, 3-83	54911-16	2-31
41454	2-127, 3-15	48734	3-81, 3-83	54911-25	2-29
41579	2-5, 2-7, 3-7, 3-17, 3-19	49145	2-81	54911-32	2-71, 2-73
41619	2-113, 2-119, 3-43	49225	2-87	54995	2-99, 2-105
42011	2-65	49263	2-13	55195	2-37, 2-41
42120-1	2-89	49266	2-107, 2-141, 3-3, 3-5, 3-17, 3-19, 3-37, 3-77	55248	3-77
42133A	2-107, 3-9	49398	3-37	55586	2-107, 2-119, 2-131, 2-149
42223	2-87	49740	2-123	55685	2-21, 2-87, 2-155
42226	2-155, 2-157	49745	2-125	55696	2-139
42227	2-71, 2-73, 2-145	50304	3-55	55697	2-139
42268	2-151, 2-153	50335	2-33, 2-35	55763	3-33
42361	5-9	50616	3-77	55779	2-101
42368	2-49	50864	2-113, 3-43	55926	4-5
42384	2-19	50902	3-61	56166	2-119
43290	2-95	50967	2-13	56185	2-21
43844	2-29, 2-37, 2-39, 2-41, 2-44, 2-47, 2-49, 2-75, 2-77, 3-11, 3-17, 3-19	51109	2-83	56186	2-13
43958	2-87	51176	2-31, 2-33, 2-35	56398	2-21
44078	2-13	51225	2-109, 2-119, 3-31, 3-35	56690	2-21
44681-1	3-21, 3-23	51305	2-39, 2-44	56692	3-37
44681-2	3-21, 3-23	51414	2-9	56820	2-87, 2-147, 2-149, 2-151, 2-153, 2-157, 3-33
44681	3-21, 3-23	51534	2-95, 2-109, 3-31, 3-35	56821	2-145
44868	2-107, 2-131, 2-147, 2-149, 2-157, 3-37	51560-3	2-55, 2-57, 2-59, 2-61	56835	2-157
44869	2-101, 2-133, 2-145, 2-151, 2-153	51564	2-101	56976A	2-51, 2-53, 3-61
44906	2-109, 3-31, 3-35	51780	2-51	56992	2-13
44961	2-121	51813	2-105	57297	3-57, 3-59, 3-61
45416-1	2-113, 3-43	51839	2-43, 2-51	57345	3-57, 3-59
45482	2-151, 2-153	51869	2-29	57479	2-149
45487-2	2-107	52296	2-99	57486	2-29
45487-6	3-37	52386	4-3	57576	2-139
45622	4-11, 4-13	52405	4-11, 4-13	57578	2-125, 3-9, 3-11, 3-13
45623	4-11, 4-13	52424	2-51	57751	2-13
45628	4-14, 4-15, 4-17	52484	5-13	57754	2-31
		52488	5-18	57755	2-31
		52508	2-101	57773	2-31, 2-33, 2-35
		52929	2-147	57803	2-13
		53029	2-41, 2-47		
		53076	2-145		
		53264	2-97		
		53268	2-51		

CROSS REFERENCE

Part Number	Page Number	Part Number	Page Number	Part Number	Page Number
57804	2-185	63292	2-141, 2-143	71437	2-37, 2-41
57897	4-3	63430	3-55	71444	2-41
57934	2-37	63448	3-55	71446	2-29
57963	2-139	63451	3-55	71447	2-29
57964	3-33	63810	2-39, 2-41, 2-44, 2-57, 2-61, 2-129, 3-3, 3-5, 3-7, 3-9, 3-11, 3-13	71454	2-47
57979	2-145, 2-151, 2-153	63923	4-33	71459	2-185
58120	2-3, 2-55, 2-57, 2-59, 2-61	64173AM	2-105, 2-113, 2-115, 3-41, 3-45	71477	3-72
58121	3-75	64379	2-95	71557	2-29, 2-139
58366	2-39	64425	2-113, 2-115, 3-41, 3-45	71607	2-113, 2-115, 3-41, 3-45
58494	2-25, 3-33, 3-39	64533	2-23, 2-25, 2-123, 3-63	71608	2-113, 2-115, 3-41, 3-45
58538	2-55, 2-57, 2-59, 2-61	64595	3-33	71721	2-145
58589	3-57, 3-59, 3-61	64655	3-69	71749	2-139
58590	3-57	64886	2-87	71931	2-23, 3-63
58592	2-29	64887	2-87	72159	2-89, 2-93
58748	2-21	65145-1	2-145	72625	3-37
58842	2-87	65221	2-3, 2-145	72728	2-141, 2-143
58846	2-37	65222	3-65	72777	2-113, 2-115, 3-43, 3-45
59009	2-83	65241	4-14	72837	2-115, 3-45
59015	2-47	65441	2-85, 2-141, 2-143	72897	2-89
59156	2-63	65527	2-51	72898	2-89
59431	2-5, 2-7	65668	4-34	72899	2-89
59432	2-5, 2-7	67004	3-55	72946	2-109, 3-31
59542	2-89	67290	3-29, 3-35	72968	2-9, 2-27, 2-71, 2-73, 2-91
59560	2-139	67767	2-107, 3-37	72970	2-13, 2-21
59578	2-139	68106	2-33, 2-35, 2-97	72977	2-79
59661	2-11	68441	2-87	73017	2-41
59672	2-85	68567	2-67	73020	2-51
59808	2-51	68568	2-67	73027	3-69
59870	2-155	68866	2-85, 2-141, 2-143	73061	2-21
59881	2-71, 2-73	68870	2-79	73077	2-89
59935	2-37, 2-41	68872	2-79, 3-57, 3-59, 3-61	73093	2-21, 4-19
59965	3-65, 3-67	68873	2-79	73113	2-151, 2-153
60559	2-63	68875	2-155, 2-157	73116	2-53
61366	3-73	69173	3-11, 3-13	73219	2-17
61527	5-9	69234	2-113, 2-115, 3-41, 3-45	73260	3-17, 3-19, 4-33
61529	2-63	69582	3-9	73411	2-141, 2-143
61531	2-63	69785	3-9	73433	3-3, 3-5, 3-7
61538	5-3	70006	2-151, 2-153	73468	3-37
61539	5-3	70006	2-151, 2-153	73471	2-39, 2-43
61540	5-7	70096	4-3, 4-5	73862	2-47, 2-49
61545	5-9	70097	4-3	74094	4-14, 4-15, 4-17
61546	5-9	70098	4-3	74095	4-14, 4-15, 4-17
61547	5-9	70099	4-3	74098	4-11, 4-14, 4-15, 4-17, 4-25, 4-27, 4-29
61548	5-9	70100	4-3, 4-5	74099	4-14, 4-15, 4-17, 4-25
61549	5-9	70103	4-3	74100	4-14, 4-15, 4-17
61550	5-9	70160	2-63	74122	4-11, 4-13
61551	5-9	70173	2-47	74123	4-11, 4-13
61552	5-9	70218	2-21	74125	4-11, 4-13
61556	5-12	70219	2-21	74137	4-11
61891	4-3	70263	2-31	74146	4-25, 4-27
61931	2-63	70622	2-21	74165	4-11, 4-13
62595-6	2-11	70709	3-69	74166	4-11, 4-13
63244-2	3-7	70717	3-69	74167	4-11, 4-13
63244-3	3-9	71126	2-105	74168	4-11, 4-13
63248-1	2-7	71199	2-121	74171	4-11
63248-2	2-7	71436	2-41		
63248-3	2-7				
63248-4	2-7				
63288	2-117				

CROSS REFERENCE

Part Number	Page Number	Part Number	Page Number	Part Number	Page Number
74174	4-15	77308	3-33	79828	4-11, 4-13
74180	4-3, 4-5	77331	2-113, 3-41, 3-43	80491	2-85
74183	4-19	77333	2-113, 2-115, 3-41	81952	2-121
74185	4-19	77336	3-11	82506	2-139
74192	4-19	77345	2-87	82544	3-7
74193	4-19	77347	2-113, 2-115, 3-41,	82731	2-63
74196	4-19		3-45	82739	3-65
74222	4-19	77728	2-25	82798	2-71, 2-73
74225	4-3, 4-5	78122	2-53, 3-61	82805	2-139
74226	4-3, 4-5	78398	3-3, 3-5	82818	2-139
74229	4-3	78730	2-3, 2-151, 2-153	82825	2-101, 2-157
74230	4-3	78785	2-141	82839	3-29
74231	4-19	78875	4-33	82921	2-97, 3-39, 3-43
74232	4-19	78881	2-41	83161	3-77
74233	4-20, 4-21	78944	2-99	83578	2-39, 2-44
74234	4-19	78979	2-121	83584	2-57, 2-61
74236	4-19	78987	3-74	83682	2-37, 2-41
74237	4-3, 4-5	79217	2-121	83684	2-37, 2-41
74241	4-19	79219	2-121	83685	2-37, 2-41
74242	4-19	79273-2	3-9, 3-11, 3-13	83733	2-119
74243	4-19	79320	2-127, 3-15	83794	2-121
74244	4-19	79381	2-73	83849	2-37, 2-41
74245	4-19	79399	2-29	83874	2-121
74248	4-3	79447	2-89	83887	2-141
74249	4-11	79484	3-17, 3-19	84036	2-147
74250	4-14, 4-15, 4-17	79497	3-3, 3-5, 3-7	84095	2-129
74402	2-41	79506	2-69	84170	2-141, 2-143
74443	2-37, 2-41	79572	3-3, 3-5	84581	2-103
74455	2-95, 3-65, 3-67	79711	4-25, 4-27, 4-29, 4-31,	84593	2-121
74469	4-3		4-32	84641	2-41
75119	3-3, 3-11, 3-13	79716	4-31	84989	5-12
75305	2-85	79719	4-25, 4-27, 4-29, 4-31,	86029	2-103
75430	2-85		4-32	86031	2-65
75611	2-123, 2-127, 2-129	79728	4-25, 4-27, 4-29, 4-31,	86041	2-63
75635AM	3-81, 3-83		4-32	86240	2-83, 2-113, 2-115,
75809	5-9	79729	4-13		2-119, 3-41, 3-43, 3-45
75817	5-9	79731	4-25, 4-27, 4-29, 4-31	86241	3-43
75934	2-141, 2-143	79739	4-25, 4-27, 4-29	86328	3-37
75968	3-69	79740	4-25, 4-27, 4-29, 4-31,	86330	3-77
76099	2-9		4-32	86331	3-77
762180	2-145	79785	4-23	86636	2-123
763116	2-145	79786	4-23	86659	2-81
763121	2-65	79787	4-23	86759	2-113, 2-115, 3-41,
76315	2-151, 2-153, 2-157	79788	4-23		3-45
76316	2-157, 3-33	79789	4-23	86767	3-55
76570	2-49, 2-91, 2-99,	79792	4-23	86798	3-39
	2-105	79794	4-23	86824	2-37, 2-51
76589-2	2-29	79795	4-23	86860	2-103, 2-113, 2-115,
76653	3-43	79796	4-23		3-41, 3-45
768897	2-75, 2-77	79800	4-23	86877	3-27
77097	2-89, 2-95, 2-103,	79801	4-23	87097	2-5, 2-7
	2-109, 2-119, 2-133,	79802	4-23	87099	2-5, 2-7
	2-157, 3-31, 3-33,	79804	4-23	87104	2-95
	3-35, 3-37	79805	4-23	87172	2-125
77098	2-89	79807	4-23	87180	2-9
77221	2-186	79808	4-23	87181	2-9
77227	2-121	79812	4-23	87308	2-85, 2-93
77228	2-121	79814	4-23	87333	2-5, 2-7
77272	2-121	79820	4-23	87334	2-5, 2-7
77304	2-139	79823	2-155, 4-23	87346	2-9

Part Number	Page Number
87531	2-105
87536	2-13
87546	2-97
87631	2-101
87652	2-139
87816	2-113, 2-115, 3-41, 3-43, 3-45
87866	2-13
87948	2-9
87949	2-9
89710	2-85
9000355	2-49
9000496	2-63
9000793	2-3
9000794	2-3
9000799	2-115, 3-45
94877	3-33
97031	2-83
97163	2-85

PART DESCRIPTION TO PAGE NUMBER CROSS REFERENCE LIST

A

Actuator, Valve, Bypass [113393-001] En, 4-5

Actuator, 2-37, 2-41

Adapter, Intake, Throttle Body, 2-39

Adapter, Pulley, [Gm1.6], 2-149

Adapter, Vacuum, 5-12

Adapter, 5-5

Adaptor [1.6], 2-43

Adaptor, Elbow, Carburetor, 2-37

Adaptor, Plate, 2-43

Adaptor, Throttle Body, 2-44

Adaptor, Valve, Fuel Trim, 2-43

Adaptor, Engine, Remote Oil Fil, 2-29

Adaptor, 2-5, 2-7

Alternator, 12vdc 075a Multi Groove, 2-65

Alternator, 2-63

Angle Wldt, Mounting, 2-85

Angle, Battery, 2-79

Angle, Cable Keeper, 2-105

Angle, Corner (Repl by None), 2-151

Angle, Cover, 2-85

Angle, Fan Mounting, 2-133

Angle, Hanger, Muffler, 2-67

Angle, Mtg, Muffler, 2-69

Angle, Mtg, Tank, Rec, 2-125

Angle, Retainer, Spring, 3-11

Angle, Sppt [Ecm], 3-61

Angle, Up-Stop, Rear, 3-Br-Hd, 3-35

Angle, Up-Stop, Rgt, 3-Br-Hd, 3-39

Arm Assembly, Squeegee, Front, 2-113, 2-115, 3-41, 3-45

Arm Assy, Lift, W/Label, 2-89

Arm Assy, Sqge, Side, Front, W/GM Engine, 2-115

Arm Assy, Sqge, Side, Front, W/Gm Engine, 3-45

Arm Wldt, Left, Pivot, 2-115

Arm Wldt, Lh, 2-115

Arm Wldt, Rh, 3-43

Arm Wldt, 3-33

Arm, Brush, Adj, Lh, 2-105

Arm, Brush, Adj, Rh, 2-105

Arm, Lift, Brush, 2-101

Arm, Lift, Hppr, W/Label [8200], 2-89

Arm, Lift, 2-103

Arm, Pivot, 2-93

Arm, Rocker, Valve, 6-3

Arm, Safety, W/Label, 2-89

Arm, Squeegee, Rear, 2-115, 3-41, 3-45

Arm, Squeegee, Right Rear, 2-113

Arm, Stop, Kick-In, Scrub Hd, 2-109, 3-31

Arm, Stop, Kick-in, 3-35

Arm, Tensioner, 5-7

Arm, Valve Rocker, Left, With Screw, 5-7

Arm, Valve Rocker, Right, With Screw, 5-7

Arm, 2-63, 2-85, 2-101

Armrest, 3-72

B

Back, Pad Drive W/Face 16 Dia., 2-7

Back, Pad Drive W/Face 20 Dia., 2-5

Backplate Assy, 4-3, 4-7

Backplate Kit, 4-8, 4-9

Backup Alarm Kit, 3-77

Ball, 4-19

Ball Joint, 2-85

Ball, Camshaft, 6-7

Ball, 4-11, 4-23

Balljoint, 2-85

Bar, Brake To Pedal, 2-83

Bar, Cover, Prop, 2-125

Bar, Flat, 2-97

Bar, Retainer Seal, 2-9

Bar, Retaining, Skirt, 2-11

Base Assy, Fan, 2-65

Battery, 12V, Wet, 2-79

Bearing, 4-19

Bearing Cam, 4-3

Bearing, Ball, 1.38b 2.83d 0.67w, 2-101

Bearing, Ball, 2-63, 2-81

Bearing, Brake Shaft, 2-83

Bearing, Cone, Pump, Hyd, 4-5

Bearing, Connecting Rod, 0.001 US, 5-9

Bearing, Connecting Rod, 0.010 US, 5-9

Bearing, Connecting Rod, 0.020 US, 5-9

Bearing, Connecting Rod, 0.030 US, 5-9

Bearing, Connecting Rod, Std, 5-9

Bearing, Cup, Cone, 2-87

Bearing, Cup, 4-5

Bearing, Flange, 2-83, 2-85, 2-109, 2-111, 2-113, 2-115, 2-117, 2-119, 2-147, 3-31, 3-35, 3-41, 3-45, 3-69

Bearing, Journal .875 X .75L, 2-89

Bearing, Journal, 2-95

Bearing, Self Align, 2-89, 2-99

Bearing, Std ID + 0.020 OD, 5-7

Bearing, Std ID - Std OD, 5-7

Bearing, Thrust, Pump, Hyd, 4-5

Bearing, Thrust, 2-103, 2-113, 2-115, 2-121, 3-41, 3-45, 4-3, 4-17

Bearing, 2-101, 2-113, 2-115, 2-117, 2-119, 3-41, 3-45

Bellcrank Weldt, Lower, 2-119

Bellcrank Wldt, Upper, 2-119

Bellcrank, Sqge, Rear, Lh, 2-115, 3-45

Bellow Assy, Brush Lift, 2-99

Bellows Kit, 4-33

Belt, Pump, 2-147

Belt, Seat, 3-71

Belt, Timing, 6-7

Belt, V, [3v] 32.5l, 2-3

Belt, V, 11m 28.8l, 2-63

Belt, V, 52.5L, 2-65

Belt, V, 53.15L, 2-3

Belt, V, 2-63

Blade Assy, Side Squeegee, Rh Urethane (1200), 3-41

Blade Assy, Side Squeegee, Rh, 3-41

Blade Assy, Side Squeegee, Urethane (Max Pro 1000), 2-113, 2-115

Blade Assy, Side Squeegee, 2-113, 2-115

Blade, Inner, Rh, 3-41

Blade, Squeegee, Front (Repl by 365381), 2-121

Blade, Squeegee, Front Tile (Repl by 365382), 2-121

Blade, Squeegee, Front Tile, Linatex (1 slot), 2-121

Blade, Squeegee, Front, Linatex (5 slot), 2-121

Blade, Squeegee, Rear (Repl by 365381), 2-121

Blade, Squeegee, Rear, Linatex, 2-121

Block, Cylinder, With Crank, Pistons, Rings, etc., 5-5

Block, Cylinder, 5-5

Block, Short, Eng, W/ Piston And Ring, 6-9

Block, 2-105

Body Assembly, 4-7, 4-8, 4-9

Bolt, .62-18X2.0L, Mtg, Spring, 2-143

Bolt, Brkt, Screen, Oil Pump, M6x1x12, 6-10

Bolt, Camshaft Cover, 6-3

Bolt, Connecting Rod, 5-9, 6-9

Bolt, Cover, Camshaft, M6 X 1 X 22, 6-7

Bolt, Cover, Oil Pump, M6 X 14, 6-10

Bolt, Cover, Water Pump, 6-9

Bolt, Cshft Brg Cap, M10 X 1.5 X 75, 6-9

Bolt, Cylinder Head, 5-3

Bolt, Eng Cover, M6 X 1 X 13, 6-7

Bolt, Eye, .31-18X2.4X .19, 2-99

Bolt, Flywheel, 6-9

Bolt, Head. Cyl, 6-3

Bolt, Hold Down, 2-79

Bolt, Hsng, Thermostat, 6-3

Bolt, M10 x 22.5, Flywheel to Crankshaft, 5-18

Bolt, M6 x 14, Oil Pan, 5-11

Bolt, M6 x 16, Tensioner to Block, 5-7

Bolt, M6 x 18, Front Cover to Block, 5-13

Bolt, M6 x 40, Front Cover and W/P to Block, 5-14

Bolt, M6 x 40, Front Cover to Block, 5-13

Bolt, M6 x 55, Tensioner to Block, 5-7

Bolt, M8 x 16, 5-7

Bolt, M8 x 20, 5-9, 5-14

Bolt, M8 x 25, 5-12

Bolt, Main Bearing Cap, 5-5

Bolt, Motor, Hyd, 4-13

Bolt, Oil Pan / Eng Cover, M6 X 1 X 13, 6-10

Bolt, Oil Pump Screen, 6-10

Bolt, Pulley to Crankshaft, M12 x 32, 5-9

Bolt, Pully, Cshft, M12 X 1.75 X 62, 6-9

Bolt, Pump, Oil, 6-10

Bolt, Retainer, Camshaft, M6 X 1 X 16, 6-7

Bolt, Rocker Support, 5-7

Bolt, Shield, Manifold, Exhaust, 6-5

Bolt, Shld .31D X 1.00, .25-20, 2-141

Bolt, Shld .50D X 0.50, .38-16, 2-113
 Bolt, Shld .50D X 0.75, .38-16, 2-113, 3-43
 Bolt, Shld, .31d X 1.00, .25-20, 2-143
 Bolt, Sprocket, Camshaft, M10x1.25x60, 6-7
 Bolt, Starter, M8 X 1.25 X 25, 6-9
 Bolt, Tensioner, Timing Belt, M8x1.25x48, 6-7
 Bolt, Tube [Pvc], M6 X 1 X 15, 6-3
 Bolt, U, 2-21
 Bolt, 2-29, 4-11, 5-11
 Boot, Battery, 3-57, 3-59
 Boot, Cable, Battery, Black, 3-61
 Boot, Switch, Ignition, 2-13
 Boot, Switch, 2-13
 Boot, 2-13, 2-31, 2-79
 Box, Instrument, 2-17
 Bracket Asm, Hinge, 3-63
 Bracket Wldt, Alternator, [8200], 2-65
 Bracket Wldt, Engine, Gas (Repl by 393311), 2-31
 Bracket Wldt, Engine, Gas, 2-31
 Bracket Wldt, Hinge, Lh, 2-25
 Bracket Wldt, Hinge, Rh, 2-25
 Bracket Wldt, Mtg, Cam Switch, 2-85
 Bracket Wldt, Solenoid Valves, 2-129
 Bracket Wldt, Sqge Lift, 2-119
 Bracket, Anchor, Strap, Alternator, 2-65
 Bracket, Angle, Radiator, 2-73
 Bracket, Backup Alarm Wldm T, 3-77
 Bracket, Battery, Retaining, Horizontal, 3-57, 3-59
 Bracket, Brush Adjustment, 2-99
 Bracket, Bumper, Mtg, Lh, 2-93
 Bracket, Bumper, Mtg, Rh, 2-93
 Bracket, Cable Keeper, 2-105
 Bracket, Cleaner, Air, 2-57, 2-61
 Bracket, Coil Mount, 5-17
 Bracket, Detergent Pump, 3-17
 Bracket, Detergent Tank, 3-17, 3-19
 Bracket, Door, Cyl, Lower, 2-95
 Bracket, Door, Mtg, Lh, 2-95
 Bracket, Door, Mtg, Rh, 2-95
 Bracket, Door, Side, 2-23
 Bracket, Foot Rest, 3-29
 Bracket, Gusset, Rear, 2-119
 Bracket, Hopper Bottom, 2-91
 Bracket, Hopper, Lip, 2-91
 Bracket, Hopper, Support, 2-91
 Bracket, Hopper, Upper, 2-91
 Bracket, Idler, 2-65
 Bracket, Keeper, 2-25
 Bracket, L, Brush Lift, 2-99
 Bracket, L, 2-17
 Bracket, Level, Water, 2-123
 Bracket, Module, Electronic Cntrl, Lp, 2-43, 3-61
 Bracket, Mount, Remote Oil Fil, 2-29
 Bracket, Mounting, Bearing, 2-101
 Bracket, Mounting, Motor, 2-103
 Bracket, Mtg, Aircleaner, 2-55, 2-59, 3-57, 3-59
 Bracket, Mtg, Battery, 3-57, 3-59, 3-61

Bracket, Mtg, Cable, 2-141, 2-143
 Bracket, Mtg, Centering Spring, [8210], 2-143
 Bracket, Mtg, Front [8200] [Gm1.6], 2-33, 2-35
 Bracket, Mtg, Hyd Cooler, 2-71
 Bracket, Mtg, Pump, Es, 3-5
 Bracket, Mtg, Pump, ESt, 3-3
 Bracket, Mtg, Pump, 3-7, 3-19
 Bracket, Mtg, Side Brush, 3-49
 Bracket, Mtg, Side Door, 2-23
 Bracket, Mtg, Sppt, Tank, Lpg, 3-61
 Bracket, Mtg, Steering, 2-21
 Bracket, Mtg, Tank, Fuel, Front, 2-49
 Bracket, Mtg, Valve, Relief, 2-53
 Bracket, Mtg, Valve, 3-7
 Bracket, Mtg, 2-27, 2-31, 2-39, 2-131, 2-133
 Bracket, Pivot, Lower, 2-147
 Bracket, Pivot, Upper, 2-147
 Bracket, Protector, Float Switch, 2-125
 Bracket, Qdc, 3-5
 Bracket, Quick Disconnect, 3-3
 Bracket, Radiator, 2-71, 2-73
 Bracket, Rear Bumper, Lh, 3-81, 3-83
 Bracket, Rear Bumper, Rh, 3-81, 3-83
 Bracket, Reg [1.6], 2-43
 Bracket, Retainer, Safety, 2-143
 Bracket, Retainer, 2-141
 Bracket, Retaining, Battery, 3-61
 Bracket, Retaining, Wire, Sparkplug, 6-8
 Bracket, Screen, Oil Pump, 6-10
 Bracket, Sensor, Map, 2-37, 2-41
 Bracket, Sensor, Position, Cshft, 6-9
 Bracket, Shaft Retaining, 2-129
 Bracket, Shock Absorber, 2-141
 Bracket, Skirt, Rear, Scrubhd, 2-107
 Bracket, Sppt, Auto Fill, 3-5
 Bracket, Stiffener, Recovery Tank, 2-125
 Bracket, Strap, Front, 2-47
 Bracket, Support, Auto-Fill, 3-3
 Bracket, Support, Cover, 2-25
 Bracket, Switch Mount, 2-13
 Bracket, Tank Hold Down, 3-17, 3-19
 Bracket, Tank, Coolant Recvy, 2-75, 2-77
 Bracket, Tank, Deflector, 2-125
 Bracket, Valve Retaining, 2-129
 Bracket, Wldt, Radiator, 2-73
 Bracket, Mtg, Rear [8200] [Gm1.6], 2-33, 2-35
 Bracket, 2-5, 2-7, 2-23, 2-37, 2-41, 2-103, 2-141, 3-51, 3-53, 3-59, 3-63, 3-65, 3-67, 3-69
 Brake Assy, 2-81
 Breather, Hyd, 2-151, 2-153
 Brkt Wldt, Cable, Side Brush, 2-105
 Brkt, Lift, Scrubhd, Nonshift, 2-109
 Brkt, Stop, Kick-In, Scrub Hd, 3-31
 Brkt, Stop, Scrub Hd, Nonshift, 2-109
 Brush, Disk, Scrub, 16D, Nyl, 2-7
 Brush, Disk, Scrub, 16D, Poly, 2-7
 Brush, Disk, Scrub, 16D, S Ab, 2-7
 Brush, Disk, Scrub, 20D, Nyl, 2-5

Brush, Disk, Scrub, 20D, Poly, 2-5
 Brush, Disk, Scrub, 20D, S Ab, 2-5
 Brush, Disk, Sweep, 23D, Fltw, 2-5, 2-7
 Brush, Disk, Sweep, 23D, Poly, 2-5, 2-7
 Brush, Disk, Sweep, 24D, Nyl, 2-5, 2-7
 Brush, Sweep, 36L Window Poly, 2-5, 2-7
 Brush, Sweep, 36L, Estr, 2-5, 2-7
 Brush, Sweep, 36L, P W, 2-5, 2-7
 Brush, Sweep, 36L, Poly, 2-5, 2-7
 Brush, Sweep, 36Lg Wedge Pol, 2-5, 2-7
 Bumper Kit, Heavy Duty, 3-27
 Bumper Wldt, Front, 2-93
 Bumper Wldt, Heavy Duty, 3-27
 Bumper, Front, 3-49
 Bumper, Neoprene, 2-111, 3-33
 Bumper, Rear, Sol Crtl, 3-81, 3-83
 Bumper, Rubber, 2-23, 2-25, 2-97, 3-39, 3-43
 Bumper, Side, Mp1200, Hyd, 3-39
 Bumper, Sqge, 2-3
 Bumper, Squeegee, 2-121
 Bumper, 3-55
 Bushing, Door Pivot, 2-95
 Bushing, Flanged, 2-113, 2-115, 3-43, 3-45
 Bushing, Flng, 0.63b 0.72d 0.25l, 2-85
 Bushing, Flng, 1.00b 1.13d 1.00l, 2-147
 Bushing, M6-1.50 X .25-27npt, 2-39, 2-43
 Bushing, Sleeve, 0.37b 0.50d 0.50l Oib, 2-125
 Bushing, Sleeve, 0.50b 0.59d 0.38l, Stil, 2-105, 2-113, 2-115, 3-41, 3-45
 Bushing, Sleeve, 0.63B 0.72D 0.38L, 2-113, 2-115
 Bushing, Sleeve, 0.63b 0.72d 0.38l, 3-41, 3-45
 Bushing, sleeve, 0.63B 0.72D 0.38L, 3-45
 Bushing, Sleeve, 2-83
 Bushing,, 2-81
 Bushing, 4-23
 Button, Plug, 0.50h .03-.12 [Black Nyl], 2-13
 Button, Plug, 2-13, 2-41

C

Cable, .13d, 10.0l, .51eye / .51eye, 2-125
 Cable, Battery, Neg 2ga 36.0l .41 Hole, 3-61
 Cable, Battery, Neg 2Ga 22.0L .41 Hole, 2-79
 Cable, Battery, Neg, 3-57, 3-59
 Cable, Battery, Pos, 26.0L, 2/0 Ga, 2-79
 Cable, Choke, 2-37
 Cable, Pull, 055.0l, .3clevis / None, 2-119
 Cable, Push-Pull, 2-115, 2-141, 3-45
 Cable, Push/Pull, 47.0l, 3.0 .25-28, 2-143
 Cable, Ribbon, Ele, 34 Pin, 2-17
 Cable, Scrub Head 15.5L, 3-33, 3-39
 Cable, 2-103, 2-105, 2-119
 Cam, Hex, 2-117
 Cam, Nickel Plated, 2-81
 Cam, 2-85, 2-121

CROSS REFERENCE

- Camplate, 4-3
Camshaft, 5-7, 6-7
Cap Assembly, 4-23
Cap Assy, 3-81, 3-83
Cap Screw, 4-17
Cap, Breather, Hyd, 8.5 Ds, 2-3
Cap, Drain Hose, 2-127, 3-15
Cap, Drain, 2-127, 3-15, 3-17, 3-19, 3-81, 3-83
Cap, Dust, 3-81, 3-83
Cap, End, 4-19
Cap, Fill, Oil/PCV breather, 2-29
Cap, Filler, Oil, W/ Org, 6-3
Cap, Fuel, 2-47
Cap, Hub, 2-81
Cap, Plastic, 2-123
Cap, Radiator, 07psi, 2-73
Cap, Radiator, 15psi, 2-73
Cap, Radiator, 2-71
Cap, Screw, 4-14, 4-15
Cap, Spring, Valve, 6-3
Cap, Steering Wheel, 2-21
Cap, Tank, Fuel, 2.3neck 2.6d, 2-49
Cap, Tank, 2-123, 2-127
Cap, 2-101, 2-129
Carb Repair Kit, 2-41
Carburetor, Lpg, With Gasket, 2-41
Carburetor, 2-37
Cart, Check Valve, 4-25, 4-27
Cart, Logic control, 4-8, 4-9
Cart, Pilot Chk, 4-25, 4-27, 4-29
Cart, Psi Cn, 4-25, 4-27, 4-29
Cartridge, Psi Control, 4-29
Centering Device, F/Pad Driver, 2-5, 2-7
Chain, Link, 2-9
Chain, Sash, 3-81, 3-83
Chain, 5-7
Channel Weldt, Pivot, 2-117
Channel Wldt, Revolve Light, 3-21
Channel, Base, Gas, 2-151
Channel, Base, Horizontal Lp, 3-61
Channel, Base, Lpg, 2-153
Channel, Base, 2-151, 2-153, 3-57, 3-59
Channel, Fuel Pump, 2-47
Channel, Heat Shield, 2-67
Channel, Inner, Guard, 3-Br-Hd, 3-35
Channel, Latch, Cover, Sol., 2-123
Channel, Mtg, Steering Latch, 3-69
Channel, Outer, Guard, 3-Br-Hd, 3-35
Channel, Pump, Fuel, 2-49
Channel, Recirculation Flap, 2-9
Channel, Sppt, Battery Tray, 3-61
Channel, Support, Battery Tray, 2-79
Channel, Tank, 2-51, 2-53
Check Valve, 4-34
Circuit Breaker 5A, 2-13
Circuitbreaker, 2-13
Clamp, Cable, Stl, 0.38d X 0.38w, 1h, 2-49
Clamp, Cable, Stl, 1.00d X 0.62w, 1h, 3-13
Clamp, Cable, Stl, 1.00D X 0.62W, 1H, 3-11
Clamp, Cable, Stl, 1.25DX1.00W, 1H, 2-39
Clamp, Cable, Stl, 2.00d X 0.75w, 1h, 2-49
Clamp, Cable, Stl, 3.00D X 1.00W, 1H, 2-133
Clamp, Cable, 2-107, 3-9, 3-21, 3-37, 3-65
Clamp, Hose Retainer, 2-101
Clamp, Hose, 1.0, 2-39
Clamp, Hose, 1.75 [Pcv], 6-3
Clamp, Hose, Wormdrive, 0.25-0.62D, 2-75, 2-77, 3-11
Clamp, Hose, Wormdrive, 0.25-0.62d, 2-39, 2-44, 2-49
Clamp, Hose, Wormdrive, 0.31-0.88d, .31w, 2-49
Clamp, Hose, Wormdrive, 0.56-1.06D, 2-57, 2-61
Clamp, Hose, Wormdrive, 0.56-1.06d, 2-39, 2-44, 3-5, 3-7, 3-11, 3-13
Clamp, Hose, Wormdrive, 0.81-1.50d, 3-11, 3-13
Clamp, Hose, Wormdrive, 1.25-2.00d, .50w, 2-73
Clamp, Hose, Wormdrive, 1.31-3.25D, 2-57, 2-61
Clamp, Hose, Wormdrive, 1.56-2.50d, .50w, 2-73
Clamp, Hose, Wormdrive, 1.62-3.50d, 3-5
Clamp, Hose, Wormdrive, 1.81-2.75d, 2-121
Clamp, Hose, 2-107, 2-127, 3-15
Clamp, Mtg, 2-55, 2-57, 2-59, 2-61
Clamp, Muffler, 1.62d, 2-69
Clamp, Retaining, Molding, Fan, 2-131
Clamp, Spring, 1.50, 2-57, 2-61
Clamp, Tee Ftg, 2-107
Clamp, Tube, 2-67
Clamp, Worm Drive, 3-47
Clamp, Wormdrive, 2-29, 2-37, 2-41, 2-47, 2-51, 2-55, 2-59, 2-67, 2-71, 2-129, 3-3, 3-9, 3-17, 3-19
Clamp, 2-55, 2-57, 2-59, 2-61, 3-37
Cleaner, Air, 2-55, 2-57, 2-59, 2-61
Clevis, Adjust, .25-28Lh, 2-83
Clevis, 2-83, 2-103
Clip, Safety, 3-33
Clip, Spring, Prop Arm, 2-89
Clip, 2-31, 3-55
Coil and Bracket Assembly, Ignition, 5-17
Coil, Ignition, 6-8
Column, Steering, 2-21
Cone, 4-23
Connector, Fuel, E90, Qf, 2-49
Connector, Fuel, Qf, 2-49
Control Unit (Repl. by 374127), 2-37, 2-41
Control, Ignition, 2-37, 2-41
Controller Replc. Kit, 8200 L, 2-17
Converter, Lpg, 2-43
Cooler, Hyd, Gpm Btu Of12 13x07x1, 2-73
Cooler, Oil, Hyd, 2-71
Cord, Rubber, 2-95
Coupling, Drive, 13t, 2-33, 2-35
Coupling, Flywheel, 2-31
Coupling, 2-51, 2-53, 2-145, 3-81, 3-83
Cover and Seal Assembly, Cylinder Front, 5-13
Cover Asm, Engine, 3-63
Cover Assembly, 3-57
Cover Assy, Top, Engine, 2-25
Cover Assy, 3-15
Cover, Belt, Timing, Front, 6-7
Cover, Belt, Timing, Upper Front, 6-7
Cover, Cam Linkage, [8210], 2-85
Cover, End, 4-5
Cover, Fuel Pump, 2-29
Cover, Hopper, 2-93
Cover, Hsng, Camshaft, 6-3, 6-7
Cover, Hsng, Flywheel, 2-33, 2-35
Cover, Insert, 2-127, 3-15
Cover, O-Ring, 4-3
Cover, Pump, Oil, 6-10
Cover, Recovery Tank, W/Seal, 2-125
Cover, Solution Tank, W/Seal, 2-123
Cover, Tank, 2-123
Cover, Trunion, 4-3
Cover, 3-63, 4-3, 5-3
Crank Replmt.Kit,Pump, 4-33
Crankshaft Assembly, 5-8
Crankshaft, 6-9
Cup, 2-55, 2-57, 2-59, 2-61
Cylinder, Hyd 2.0B 04.0S 2500, 2-95
Cylinder, Hyd, 2-87, 2-89, 2-109, 2-119, 3-31, 3-33, 3-35

D

- Dampener, Engine, 2-31
Deflector, Hopper, Lh, 2-91
Deflector, Hopper, Rh, 2-91
Detent Adaptr, 4-23
Diaphragm Kit, 4-34
Dipstick, Oil Level, 6-10
Door Asm, Lh, Lpg, 3-63
Door Wldt, Brush, Rh H Door, 2-11
Door Wldt, Dump, 2-95
Door Wldt, Side, Rh, 2-27
Door, Engine, Side, Lh, 2-23
Dowel Pin, Connecting Rod, 5-9
Dowel, Cylinder Head to Block, 5-3
Dowel, Cyl.Block To Flywhl.Hsg., 2-31
Dowel, 5-7, 5-18
Drain Kit, Solution, Pos Contl, 3-81
Draincock, 2-71
Drive , 4-19
Drive Gear Assembly, 4-8, 4-9
Drive Gear Assy, 4-7
Drive, Motor, Hyd, 4-13
Drive, 4-11, 4-14, 4-15, 4-17
Driver, Pad 16D Assy, 2-7
Driver, Pad 20D Assy, 2-5
Duct, Snorkel, Recovery Tank, 2-125
Duct, Vinyl, 3-23, 3-77
Dust Control Kit, For Maxpath, 3-51
Dust Control Kit, Side Brush, 3-53

E

Elbow , 4-34
 Element Kit, Air, Safety, 3-75
 Element, Filter, Air, 2-55, 2-57, 2-59, 2-61
 Element, Filter, Oil, 2-29
 Element, Filter, 2-145
 Element, Fltr, Air, 2-3
 Element, Fltr, Oil, Spin-On, 2-3, 6-10
 Element, Fltr, Oil, 2-3
 Element, Safety, 3-75
 End Cap, 4-17
 End, Cap, 4-14, 4-15
 Engine Assy, Vsg-413 (See Ford Engine Breakdown), 2-29
 Engine Gasket Kit, Complete, 5-15
 Engine Gasket Kit, Upper, 5-15
 Extinguisher, Fire, 3-74

F

Fan Wldt, Inlet Plate, 2-133
 Fan Wldt, Vac (See Breakdowns), 2-131
 Fan Wldt, Vac Sweeper, 2-133
 Fan, Suction, Rework, 2-63
 Fan, 2-65
 Filter Kit, Lock Off, Lpg, 2-44
 Filter Pkg, Dust, Panl, 97plts, 2-3
 Filter Pkg, Panel, 97 Pleats, 2-97
 Filter Pkg, Panel, Synthetic, 2-97
 Filter, Engine Oil, 5-11
 Filter, Fuel, In-Line, 2-3
 Filter, Fuel, 2-37
 Filter, Fuelock, 2-51
 Filter, Oil, Hyd, 2-145
 Filter, Oil, 2-3, 2-33, 2-35
 Fitting, Adapter, Orifice, Pm06/Pf06, 2-39
 Fitting, Brass, Elbow, 2-41, 2-47, 2-51, 3-57, 3-59
 Fitting, Brass, Str, 2-47, 3-65
 Fitting, Breather, 3-65
 Fitting, Brs, E90, Pm08/Sm08, 3-59
 Fitting, Brs, E90, Em05/Pm04, 2-49
 Fitting, Brs, E90, Em10/Pm06, 2-43
 Fitting, Brs, E90, Pm04/Pf04, 2-49, 2-53, 3-61
 Fitting, Brs, E90, Pm06/Pf06 Special, 2-39
 Fitting, Brs, Qdc, Bm12/Qf08, 3-5
 Fitting, Brs, Qdc, Bm12/Qf08, 3-7
 Fitting, Brs, Qdc, Pf04 Lpg Fem, 3-61
 Fitting, Brs, Qdc, Pf08 [Parker Bh3f], 3-7
 Fitting, Brs, Str, Pm02/Bm03, 3-11
 Fitting, Brs, Str, Bm12/Pm12, 3-5
 Fitting, Brs, Str, Em10/Pm06, 2-39
 Fitting, Brs, Str, Pf04/Pf04, Bh, 3-61
 Fitting, Brs, Str, Pf04/Pf04, Bkhd, 2-53
 Fitting, Brs, Str, Pm02/Bm03, 3-13
 Fitting, Brs, Str, Pm02/Bm05, 3-7
 Fitting, Brs, Str, Pm02/Pf04, 2-39, 2-44
 Fitting, Brs, Str, Pm04/Bm05, 2-49
 Fitting, Brs, Str, Pm04/Pm04, 2-49
 Fitting, Brs, Str, Pm12/Bm12, 3-7
 Fitting, Cacuum, M16-15-6h, 2-39

Fitting, Cap, 2-43
 Fitting, Draincock, .25npt 90, 2-39, 2-44
 Fitting, Draincock, .25npt, 2-73
 Fitting, E70, 2-43
 Fitting, E90, M14 X .56, 2-33, 2-35
 Fitting, E90, 2-43
 Fitting, Elbow, 45, 2-37
 Fitting, Elbow, Swivel, 3-57
 Fitting, Elbow, 2-37, 3-9
 Fitting, Filter, Oil, 6-10
 Fitting, Grease, 2-87, 2-89, 3-33, 3-39
 Fitting, Hose End, 2-33, 2-35
 Fitting, Hose, Vacuum, .25, 2-43
 Fitting, Hyd E45, Jf04/Jm06, 2-87
 Fitting, Hyd Str, Jm04/Om06, 2-87
 Fitting, Hyd, E45, Jm16/Om16, 2-149
 Fitting, Hyd, E90, Jm06/Om06, 2-149
 Fitting, Hyd, E90, Jm08/Om08, 2-149
 Fitting, Hyd, E90, 2-101
 Fitting, Hyd, Elbow, 2-29, 2-41, 2-51, 2-87, 2-89, 2-95, 2-103, 2-107, 2-109, 2-119, 2-131, 2-133, 2-145, 2-147, 2-151, 2-153, 2-155, 2-157, 3-31, 3-33, 3-35, 3-37
 Fitting, Hyd, Plug, 2-29, 2-151, 2-153
 Fitting, Hyd, Restrictor, 2-119, 3-33
 Fitting, Hyd, Str, Jm04/Om04, 2-149
 Fitting, Hyd, Str, Jm08/Om12, 2-73
 Fitting, Hyd, Str, Pf02/Pm04, 3-61
 Fitting, Hyd, Str, 2-21, 2-29, 2-51, 2-71, 2-87, 2-101, 2-107, 2-119, 2-131, 2-133, 2-145, 2-147, 2-151, 2-153, 2-155, 2-157, 3-37
 Fitting, Hyd, Tee, Pf04/Pf04/Pm04, Run, 3-61
 Fitting, Hyd, Tee, Pm04/Pf04/Pf04, 2-53
 Fitting, Hyd, Tee, 2-107, 2-145, 2-151, 2-153, 2-157, 3-33, 3-37
 Fitting, Hyd, 2-89
 Fitting, Nipple, .25npt, Brs, 2-43
 Fitting, Pipe, E45, Pm04/Pf04, [Swivel], 2-53
 Fitting, Pipe, E90, Pm02/Pf02, 3-65
 Fitting, Pipe, Elbow, 2-51
 Fitting, Pipe, Plug, Metric, M18, Soc, 2-33, 2-35
 Fitting, Pipe, Plug, 2-33, 2-35
 Fitting, Pipe, Str, Pm04/Pf02, 2-53
 Fitting, Pipe, Str, Pm08/Pm08 Close,Blk, 3-5, 3-7
 Fitting, Pipe, 2-29, 3-3
 Fitting, Plastic, 3-9
 Fitting, Plstc, Bkhd, Pf12/Pf12, 2-127, 3-11, 3-13
 Fitting, Plstc, Cplg, 3-9
 Fitting, Plstc, E45, Pf12/Pf12, 3-11, 3-13
 Fitting, Plstc, E90, Bm06/Pm02, Nyl, 3-11, 3-13
 Fitting, Plstc, E90, Bm12/Bm12, 3-5, 3-7
 Fitting, Plstc, E90, Bm12/Pm08, 3-7
 Fitting, Plstc, E90, Bm12/Pm12, 3-11, 3-13
 Fitting, Plstc, E90, Pf08/Pf08, 3-5

Fitting, Plstc, Elbow, 2-107, 2-129, 3-3, 3-9, 3-17, 3-19, 3-37
 Fitting, Plstc, Plug, Pm16, 2-125
 Fitting, Plstc, Str, Bm06/Pm02, Nyl, 3-11
 Fitting, Plstc, Str, Bm12/Pm08, 3-5
 Fitting, Plstc, Str, Bm12/Pm12, 3-11, 3-13
 Fitting, Plstc, Str, Bm16/Pm16, 3-11, 3-13
 Fitting, Plstc, Str, 3-3, 3-9, 3-55
 Fitting, Plstc, Tee, Bm12/Bm12/Bm12, 3-11, 3-13
 Fitting, Plstc, Tee, Pf08/Pf08/Pf08, 3-5, 3-7
 Fitting, Plstc, Tee, 2-107, 2-129, 3-3, 3-9
 Fitting, Plstc, 2-123
 Fitting, Plug, O-Ring [En], 4-5
 Fitting, Plug, 2-123, 2-127, 2-129
 Fitting, Qdc, Female, 3-3
 Fitting, Qdc, 3-3
 Fitting, Qm, Male, 3-5
 Fitting, Special, 2-41
 Fitting, Str, .12mpt X .19brb, 2-39
 Fitting, Str, E90, .25npt, 2-43
 Fitting, Str, 2-43
 Fitting, Straight, 2-125, 3-9
 Fitting, Tee, 2-51
 Fitting, 3-17, 3-19
 Flange Mounting, 4-14, 4-15
 Flange, Bearing, 2-101
 Flange, Mtg, Tailpipe, [Gas/Lpg], 2-69
 Flap, Recirculation, 2-3, 2-9
 Flasher, 3-77
 Flg, Mtg 4-Bolt, 4-17
 Floormat, W/Footrest, 3-29
 Floormat, 2-15
 Flywheel and Ring Gear Assembly, 5-18
 Flywheel, 6-9
 Foot Rest, Kit, 8200 Line, 3-29
 Frame Assy, Squeegee 8210, 3-41
 Frame Wldt, Lh, Mp, 3-45
 Frame Wldt, Main, 2-9
 Frame Wldt, Scrub Hd, 2-Brush, 2-107
 Frame Wldt, Scrubhd, 3-Br-Hd, 3-37
 Frame Wldt, Sqge, 2-121
 Frontplate Assembly, 4-8, 4-9
 Frontplate Assy, 4-7
 Ftg, Plastic Str 10Bm X 12Pm, 2-107, 3-37
 Ftg, Plastic Str 16Bm/16Pm, 2-129
 Ftg, Plastic Tee 16Bm, 12Pf, 16B, 3-17, 3-19
 Ftg, Plastic, Str, 1/2In, 3-37
 Ftg, Str .62, 2-107
 Ftg, Str, .62, 3-37
 Ftg-Hyd E45, 2-51
 Ftg-Hyd E90 Spcl Bsa Jm16/Jf16, 2-147, 2-151, 2-153
 Ftg-Hyd E90 Spcl Jm10/Jf10, 2-145
 Fuel, Fltr [Gm 1.6l/3.0l], 2-3, 2-49
 Fuelline, .31d Str / Str, Plstc [8200], 2-49
 Fuelline, .31d Qm/Qm Stl, 2-49
 Fuelline, .31D Str / Str, Plstc [8200], 2-49
 Fuelline, 2-47, 2-51
 Fuelock Replacement Kit, 2-51
 Fuse, 15A, [Min-15], 2-185
 Fuse, 20A, [Min-20], 2-185

CROSS REFERENCE

Fuse, 50Amp, 2-185
Fuse, 5A, [Min-5], 2-185

G

Gas Cap, Protectoseal, 3-84
Gasket, Adaptor, 2-44
Gasket, Body, Throttle [1.6l], 2-39
Gasket, Cap, Dust, 3-81, 3-83
Gasket, Cover, Hsng, Camshaft, 6-3
Gasket, Cover, Recovery Tank, 2-125
Gasket, Cylinder Head, 5-3
Gasket, Exhaust Manifold, 5-12
Gasket, Flgn, Pipe Exhaust, 2-69
Gasket, Front Cover, 5-13
Gasket, Head, Cyl, 6-3
Gasket, Hyd Cap, 2-151, 2-153
Gasket, Intake Manifold, 5-12
Gasket, Lid, 3-15
Gasket, Manifold, Exhaust, 6-5
Gasket, Manifold, Intake, 2-39, 2-43, 6-5
Gasket, Mtg, Fan, 2-125
Gasket, Oil Drain Plug, 5-11
Gasket, Oil Pan, 6-10
Gasket, Oil Pump to Block, 5-11
Gasket, Plug, Relief Valve, Oil Press, 6-10
Gasket, Pump, Oil, 6-10
Gasket, Rear Retainer, 5-9
Gasket, Rocker Arm Cover, 5-3
Gasket, Snorkel Duct, 2-125
Gasket, Sol Crtl, 3-81, 3-83
Gasket, Tank, Solution, 2-123
Gasket, Tube [Pcv], 6-3
Gasket, Water Pump, 5-14
Gasket, 2-29, 2-37, 2-41, 2-121, 2-123,
2-127, 3-15, 3-17, 3-19
Gear Motor Assy, 4-33
Gear, Drive, Oil Pump, 6-10
Gear, Ring, Drive, Oil Pump, 6-10
Gear, 5-11
Geroler, Motor, Hyd, 4-13
Geroler, 4-11
Gerotor S/A, 4-19
Gerotor Set, 4-14, 4-15, 4-17
Governor Assy, Gas, 2-37
Governor Assy, Lpg, 2-41
Governor, Gas, 2-37
Governor, Lpg, 2-41
Grip, Vinyl, 2-155
Grommet, Level Sensing, 1.6d 9.6l F/1.4h,
2-125
Grommet, Level, 2-125, 3-9
Grommet, Rbr, 0.19id, F/ 0.3h, .19matl,
2-39, 2-43
Grommet, Rbr, 1.50id, F/ 1.8h, .19matl,
2-73
Grommet, Rubber, 2-27, 2-71, 2-91, 2-93,
3-21, 3-23, 3-65, 3-77
Grommet, Water Valves, 2-129
Grommet, 3-17, 3-19
Guard Assembly, Lh, 3-85
Guard Assembly, Rh, 3-85
Guard Kit, Overhead, 3-25

Guard Wldt, Ohg, Top, 3-25
Guard, Engine Fan, 2-71
Guard, Kick-In, Scrubhead, 2-109, 3-31
Guard, Muffler, 2-69
Guard, Squeegee, RH, 3-35
Guard, 2-103
Guide, Filter Cover, 2-93
Guide, Use and Care, 8200, 2-186
Guide, 2-113, 2-115, 3-41, 3-45

H

Handle Wldt, 2-105
Handle, Control, Valve, 2-155
Handle, 3-69
Harness, Alarm, Backup, 8200, 3-77
Harness, Engine Vsg411/413, 2-185
Harness, Engine, Gas/Lpg, 2-185
Harness, Hopper, 8200/8210, 2-185
Harness, Injector, Gas [1.6l, Gm, E-Cntrl],
2-185
Harness, Injector, Lpg [1.6l, Gm, E-Cntrl],
2-185
Harness, Jumper, 3-57, 3-59
Harness, Light, Revolve, Tank, 3-21
Harness, Main, Gas/Lpg [8200/8210
Impco], 2-185
Harness, Main, Gas/Lpg/Die 8200, 2-185
Harness, Revolving Light, 8200, 3-23
Harness, Sensor, Jumper, 2-125, 3-11,
3-13
Harness, Wire, Jumper, 2-37, 2-41
Head Assembly, Cylinder, 5-3
Head, Cyl, 6-3
Headlight, 2-91, 3-77
Heat Shield, 2-67
Hopper Door Light, Kit, 3-67
Hopper, 2-91
Horn Assy, Back-Up Alarm, 12V, 3-77
Horn, 2-13
Hose [Pcv], 6-3
Hose Assembly, Drain, 2-127
Hose Assy, Drain, 3-15
Hose Assy, W/1cuff, 1.5d 120l 1.5/, 3-81,
3-83
Hose Assy, W/2cuff, 2.0d 75l 2.0/2.0,
2-121
Hose Lpg, O8 Lpg X 17.Olg, 2-51
Hose Vin Brd, 0.75id, 32.0lg, 3-11
Hose, .62 Id X 30.0 Lng. Heate, 2-51
Hose, 170mm [Ftv-ptv], 2-43
Hose, 355mm [Fl-vrp], 2-43
Hose, 9.5mm X 290mm [Pcv], 2-43
Hose, 9.5mm X 450mm [Pcv], 2-39
Hose, Afmkt, Pvc, Brd 0.38ld 8Ft, 3-19
Hose, Afmkt, Pvc, Brd 0.75id 1 Ft, 3-7,
3-13
Hose, Afmkt, Pvc, Brd 0.75id 3 Ft, 3-13
Hose, Afmkt, Pvc, Brd 0.75id 8 Ft, 3-13
Hose, Afmkt, Pvc, Clr 0.38ld 8 Ft, 3-13
Hose, Afmkt, Pvc, Clr 0.38ld 8Ft, 3-11
Hose, Air Intake, Flex, 2-55, 2-59
Hose, Balancing, Press, 45mm, 2-43

Hose, Balancing, Press, 680mm, 2-43
Hose, Clear, 3-37
Hose, Drain, 2-127, 3-15
Hose, Flex, Vacuum, 2.0D 19.0L, 2-57,
2-61
Hose, Fuel, .19, 2-39
Hose, Fuel, 0.31id 22.0l, 2-49
Hose, Fuel, 0.31id 7.5l, 2-49
Hose, Fuel, 0.50id 52.0l, 2-49
Hose, Fuel, 2-47
Hose, Heater (Cut), 2-39
Hose, Heater, E90, 0.62ld 05.5 2.0, 2-57,
2-61
Hose, Heater, 2-37, 2-51
Hose, Hyd, 26.0l, 2-33, 2-35
Hose, Hyd, Low06, Jf06Str/Jf06E90, 32.0,
2-29
Hose, Hyd, 2-29, 2-139, 3-33, 3-37
Hose, Intake, Air, Mold, Gas, 2-57, 2-61
Hose, Intake, Air, Mold, 2-61
Hose, Lpg, Med05, Pm04Str/Sm04Str,
19.0L, 2-53
Hose, Lpg, Med05, Pm04str/Sm04str,
19.0l, 3-61
Hose, Lpg, 2-51
Hose, Molded, Air Intake, Lpg, 2-59
Hose, Molded, Air Intake, 2-55
Hose, Molded, Radiator, Upper, 2-73
Hose, Molded, 2-37, 2-41, 2-43
Hose, Pvc, Brd, 0.75id 1.03od 00.80l,
3-11, 3-13
Hose, Pvc, Brd, 0.75id 1.03od 01.50l, 3-5
Hose, Pvc, Brd, 0.75id 1.03od 02.60l,
3-11
Hose, Pvc, Brd, 0.75id 1.03od 05.00l, 3-5
Hose, Pvc, Brd, 0.75id 1.03od 30.00l,
3-11
Hose, Pvc, Clr, 0.38id 0.56od 22.00l,
2-39, 2-43
Hose, Pvc, Wir, 0.75id 0.94od 30.00l,
3-13
Hose, Pvc, Wir, 0.75id 0.94od 36.00l,
3-11
Hose, Radiator, 2-71
Hose, Rbr, E90 1.25id 1.25id 04.2 3.1,
2-73
Hose, Recvy, Coolant, 0.31D X 60L, 2-75,
2-77
Hose, Rubber, 2-29
Hose, Special 3.4X30.5 Lg W/1., 2-129
Hose, Special 3/4 X26.5Lg W/1., 3-17,
3-19
Hose, Vacuum, Hp, Bottom, 3-47
Hose, Vacuum, .16ld X 54.0 Lg, 3-65
Hose, Vacuum, 0.16id X 05.0l, 3-13
Hose, Vacuum, 0.16id X 08.0l, 3-11, 3-13
Hose, Vacuum, Hp, Top, 3-47
Hose, Vacuum, With Cuff, 3-55
Hose, Vacuum, 2-37, 2-41, 2-51, 2-125,
3-9, 3-47
Hose, Valve, Press Trim, 350mm, 2-43
Hose, Vin Brd .75ld1.0ld12.00l, 3-3
Hose, Vin Brd .75ld1.00d1.50l, 3-3

Hose, Vin Brd .75ld1.00d24.00l, 3-9
 Hose, Vin Brd .75ld1.00d30.00l, 3-3
 Hose, Vin Brd .75ld1.00d35.00l, 3-3
 Hose, Vin Brd .75ldx1.00dx3.25, 3-3
 Hose, Vin Brd 1.0ld1.40d15.8Ol, 2-129
 Hose, Vin Brd, 1.0ld, 12.0lg, 3-11
 Hose, Vin Brd, 0.75ld, 53.0lg, 3-11
 Hose, Vinyl .75ld 1.03Od .75Lg, 2-129
 Hose, Vinyl Clear, 2-129
 Hose, Vinyl, Clear, 3-9, 3-37
 Hose, Vinyl, Clr Nylon Reinf, 3-17, 3-19
 Hose, Vinyl, 2-107, 3-9, 3-17, 3-19
 Hose, Vyl, Brd, 1.00ld, 12.0l, 3-13
 Hose,, Molded, Air Intake, 3-57, 3-59
 Hose, Air Intake, Flex, 2.0ldx19, 3-57, 3-59
 Hose, Vin Brd .75ld1.00d 3.75L, 2-129
 Hose-Hyd Ar 04 Jf/Jf, 3-37
 Hose-Hyd Ar 04, 2-139
 Hose-Hyd Ar 06, 2-139
 Hose-Hyd Ar 08, 2-139
 Hose-Hyd Ar 10, 2-139
 Hose-Hyd Low04, 2-139
 Hose-Hyd Low06, 2-139
 Hose-Hyd Low08, 2-139
 Hose-Hyd Med 08, 2-139
 Hose-Hyd Med04 Jf/J9, 3-33
 Hose-Hyd Med04, 2-139
 Hose-Hyd Med06, 2-139
 Hose-Hyd Med08, 2-139
 Hose-Hyd Suc16, Jf16 Str/Jf16E90, 40, 2-139
 Hose-Hyd Suc16, 2-139
 Hose-Lpg, Spl, .25ld X 16.0 Oa, 3-57
 Hose-Lpg, Spl, 41ld X 18.0 Oal, 3-57, 3-59
 Hose-Lpg, Spl, 3-59
 Hose, 3-3
 Housing Assy,, 4-11
 Housing, Brg, Motor, Hyd, 4-13
 Housing, Brg, 4-11
 Housing, Camshaft, 6-3, 6-7
 Housing, Flywheel, 2-31
 Housing, Pump, 2-33, 2-35
 Housing, Support, Drive, 2-87
 Housing, Thermostat With Gasket, 2-29
 Housing, Throttle, 40mm [Bosch], 2-39, 2-43
 Housing, Valve, 4-13
 Housing, 4-5, 4-14, 4-15, 4-17
 Hub & Stud, 2-87
 Hub, Brush, 2-103, 3-37
 Hub, Drive, Brush, Disk, 1.00B 6T, 2-107
 Hub, Mtg, Arm, Cntrl, Pintle, 2-143
 Hub, 2-141

I

Idler Gear Assembly, 4-8, 4-9
 Idler Gear Assy, 4-7
 Impeller, 9.06D X .500B, Bal., 2-131, 2-133
 Indicator, Air Filter, 3-65
 Indicator, Oil Level, 5-11
 Injector Kit, Fuel, Gas, 2-39

Insert, Exhaust Valve Seat, 5-3
 Insert, Intake Valve Seat, 5-3
 Insert, Plate, Cam, Pump, Hyd, 4-5
 Insert, Wheel, Steering, 2-21
 Instr. Repair Info, Motor, 4-11
 Instr. Valve Repair Info, 4-23
 Instr, Repair, Motor, Hyd, Gear, 4-13
 Instr, Repair, Pump, 4-5
 Instruction, Repair, Motor, 4-14, 4-15, 4-17
 Insulation, Acstc, 0.5, 12.3 X 8.2 Cham, 2-13
 Insulation, Acstc, 0.5, 18.8 X 17.9 C-O, 2-15
 Insulation, Acstc, 1.00, 2-151, 3-61
 Insulation, Acstc, 1.5 04.0w 04.0l, 2-49
 Insulation, Acstc, Door, Front, 2-13
 Insulation, Acstc, Tank, 2-51, 2-53
 Insulation, Bottom, 3-63
 Insulation, Cover, 3-63
 Insulation, Door, 3-63
 Insulation, Rear, 3-63
 Insulation, S/Foam 1.5X4.0X4.0, 2-47
 Insulation, S/Foam Hort'Z Tank, 3-57
 Insulation, S/Foam, Cover, 2-25
 Insulation, S/Foam, Door, 2-13, 2-23
 Insulation, S/Foam, Floor, 2-15
 Insulation, S/Foam, Front, 2-15
 Insulation, S/Foam, Panel, 2-15
 Insulation, S/Foam, Side, 2-15
 Insulation, Side, 3-63
 Insulation, Soundfoam, 3-25
 Insulation, Thermal, 2-151, 2-153, 3-57, 3-59
 Insulation, 2-67, 2-69, 2-153
 Isolator Kit, Mtg, Vaporizer, Rbr, 2-43
 Isolator, Vib, Bshg, 1.1D 0.6L .4B 0.78H, 2-69
 Isolator, Vib, Bshg, 1.1d 0.6l .4b 0.78h, 2-73
 Isolator, Vib, Dia .50, 2-33, 2-35
 Isolator, Vibration, 2-71, 2-131, 2-133, 2-157

K

Key Square 0.12 0.12 01.00 Lg, 4-20, 4-21
 Key, Motor, Hyd, 4-13
 Key, Shaft, Pump, Hyd, 4-5
 Key, Switch, Set Of Two, 2-13
 Key, Valve Stem, 6-3
 Key, Woodruff, 5-9
 Key-Wdruff 0.25 1.00 , 4-14
 Key-Wdruff 0.25 1.00, 4-15
 Key, 4-3, 4-8, 4-9, 4-11
 Kit, Ball & Seal, 3-83
 Kit, Brg, Connecting Rod, Std, 6-9
 Kit, Brg, Cshaft, 1.989-1.995mm, Std, 6-9
 Kit, Brg, Cshaft, 1.995-2.001mm, Std, 6-9
 Kit, Brg, Cshaft, 2.114-2.120mm,+0.25mm, 6-9
 Kit, Brg, Cshaft, 2.120-2.126mm,+0.50mm, 6-9
 Kit, Brush, 2-63

Kit, Cap, Drain, 2-127, 3-15, 3-17, 3-19
 Kit, Carburetor, 2-37
 Kit, Caster, Squeegee, 2-121
 Kit, Detent In, 4-23
 Kit, Drain, Solution, Pos Cntrl, 3-83
 Kit, Extinguisher, Fire, 3-74
 Kit, Fitting, Garden Hose, 3-3, 3-5, 3-7
 Kit, Maint, 400hr [8200/8210 G] Engine, 2-3
 Kit, Maint, 400hr [8200/8210 Lp] Engine, 2-3
 Kit, Maint, 800hr [8200/8210 G/Lp/D], 2-3
 Kit, Oil Pan Gasket, 5-11
 Kit, Press Switch, ES Level [8200/10], 3-9
 Kit, Press Switch, Non Es, [8200/10], 2-125
 Kit, Recovery Tank, 2-125
 Kit, Replmt, Control, Govnr, [All Purps], 2-37, 2-41
 Kit, Replmt, Dual Press/14" Tube, 3-9
 Kit, Replmt, Press Switch/8" Tube, 3-9
 Kit, Ring, Piston, Std, 78.95 - 79.02mm, 6-9
 Kit, Rotating, Piston, Pump, Hyd, 4-5
 Kit, Seal, Hyd, Pump, 4-5
 Kit, Seal, Motor, Hyd, 4-13
 Kit, Seal, Valve, 3-81
 Kit, Shim, 4-5
 Kit, Side Brush, Maxpath, 3-49
 Kit, Valve Handle, 3-81, 3-83
 Knob, Adj, 2-99, 2-121
 Knob, Jam, 2-121
 Knob, Tapered, 2-99, 2-105

L

Label Set, Hi Temp, 2-186
 Label Set, Info & Hzd, 2-186
 Label Set, Max Pro 1000, 2-109
 Label Set, Maxpro, 3-31, 3-37
 Label Set, Operatnl 8200, 2-186
 Label, ES Logo, Off-White, 3-17, 3-19
 Label, Logo, 3-27
 Label, Numerals 8200, 2-186
 Lamp, Indicator 12 Volt, 2-13, 3-65, 3-67
 Lamp, 2-9, 2-91, 3-21, 3-23, 3-77
 Lampholder, 2-9
 Latch Assy, Lpg Tank Mtg, W/Nut, 2-51, 2-53, 3-57, 3-59
 Latch Assy, Mtg, Tank, Lpg, W/Nut, 3-61
 Latch, Hopper, 2-93
 Latch, Trigger, 2-23, 2-25, 2-123, 3-63
 Latch, 2-11
 Lens, Revolving Light, Blue, 3-21, 3-23
 Lens, Revolving Light, Red, 3-21, 3-23
 Lens, Rev. Light, Amber, 3-21, 3-23
 Lever Wldt, Cntrl, Pintle, 2-143
 Lever Wldt, Main Br Lift, 2-99
 Lever Wldt, Main Brush, 2-99
 Lever Wldt, 2-105
 Lever, Adj, Plastic, 2-105
 Lever, Brake, 2-81
 Lever, Wldt, Pintle, 2-141

CROSS REFERENCE

I Hose, Pvc, Brd, 0.75id 1.03od 02.00L, 2-129
Lift Rail, Scrub Head, 3-31, 3-35
Light Assy Tail, 2-9
Light Kit, Rev. Ohg, 3-23
Light Kit, Rev, 8200 8210, 3-21
Light, Check Eng, Amb, 14vdc, 2-13
Light, Rev, Amber, 12V, 3-21, 3-23
Liner, Cylinder, 5-5
Link Wldt, Head Drag, 3-33
Link Wldt, Head, Drag, 3-39
Link, Drag, Scrubhd, Nonshift, 2-111
Link, Machining, 2-117
Link, Side Brush, 3-49
Link, Valve Handle, 2-155
Linkage Kit, 2-37, 2-41
Lock, Valve Spring, 5-3

M

Main Bearing, Crankshaft, Lower 0.015 OS OD, 0.010 US ID, 5-9
Main Bearing, Crankshaft, Lower 0.015 OS OD, 0.020 US ID, 5-9
Main Bearing, Crankshaft, Lower 0.015 OS OD, Std ID, 5-9
Main Bearing, Crankshaft, Lower Std OD, 0.005 US ID, 5-9
Main Bearing, Crankshaft, Lower Std OD, 0.010 US ID, 5-9
Main Bearing, Crankshaft, Lower Std OD, 0.020 US ID, 5-9
Main Bearing, Crankshaft, Lower Std OD, 0.030 US ID, 5-9
Main Bearing, Crankshaft, Lower Std OD, Std ID, 5-9
Main Bearing, Crankshaft, Upper 0.015 OS OD, 0.010 US ID, 5-8
Main Bearing, Crankshaft, Upper 0.015 OS OD, 0.020 US ID, 5-9
Main Bearing, Crankshaft, Upper 0.015 OS OD, Std ID, 5-8
Main Bearing, Crankshaft, Upper Std OD, 0.005 US ID, 5-8
Main Bearing, Crankshaft, Upper Std OD, 0.010 US ID, 5-8
Main Bearing, Crankshaft, Upper Std OD, 0.020 US ID, 5-8
Main Bearing, Crankshaft, Upper Std OD, 0.030 US ID, 5-8
Main Bearing, Crankshaft, Upper Std OD, Std ID, 5-8
Manifold Insert, 5-12
Manifold, 3 Head .75-Npt, 3-37
Manifold, Es 8200, 3-3
Manifold, Exhaust, 2-29, 6-5
Manifold, Intake [1.6l], 2-39, 2-43
Manifold, Intake, 5-12
Manifold, Water, Sol Valves, 2-129
Manual Opmt 8200G Es, 3-86
Manual Opmt 8200G Fr, 3-86
Manual Pkg 8200G, 3-86
Manual Ser 8200/8210 G/LP/Die En, 3-86

Manual Service VSG Ford, 3-86
Manual, Cd-Rom, Oprtr & Parts, All [Na], 3-86
Manual, Service, Eng, [Gm 1.6l Em Cert], 3-86
Manual, Service, Eng, [Gm 1.6l], 3-86
Metering Kit, Detergent, 3-17
Mixer, Lpg [Gm 1.6l], 2-43
Module Kit, Cntrl, Ignition, 2-37, 2-41
Module Kit, Ignition, Replmt [Ford 1.3l], 2-37, 2-41
Module, Control, Ignition, 2-37, 2-41
Module, Ecu, Gas [Gm 1.6L], 2-39
Module, Ecu, Lpg [Gm 1.6L], 2-43
Molding, Fan Discharge, 2-131
Molding, Rigid, 3-23
Molding, Trim 11-14Ga 7.50, 2-11
Molding, Trim, .08-.11 04.00, 2-9
Motor, Ele, Shaker, 2-97
Motor, Hyd Gear (See Breakdown), 3-37
Motor, Hyd Gear (See Breakdowns), 2-87, 2-101, 2-103, 2-107, 2-131, 2-133
Motor, Hyd Gear Ex 0.13 B 3000, 4-20
Motor, Hyd Gear Ex 0.23 B 3000, 4-21
Motor, Hyd Gear In 02.8 B 1500, 4-14
Motor, Hyd Gear In 07.3 B 1500, 4-15
Motor, Hyd Gear In 14.1 B 1500, 4-17
Motor, Hyd Gear, 4-11
Motor, Hyd, Gear, [Int], 19.0 X 3000, 4-13
Mount, Cable Tie, 3-77
Mtg Kit, Tank, Lpg W/ Insulation, 2-51, 2-53
Muffler, Catalytic [Gm 1.6], 2-69
Muffler, Exhaust, 2-67

N

Nozzle, Wand, Plastic, 3-55
Nut - Low Crown .50-20, 2-131, 2-133
Nut, Adj, Mtg, Tank, Lpg, 3-61
Nut, Hex Lock, 3-85
Nut, Hex Std, 2-85
Nut, Hex. Lock, 2-147
Nut, Hex, Flexlock, .50-13, 2-103
Nut, Hex, Flexlock, .75-10, 2-101
Nut, Hex, Flng, M06 X 1.0, 2-33, 2-35, 3-59
Nut, Hex, Flng, M08 X 1.25, 2-133
Nut, Hex, Flng, M10 X 1.5, 3-51, 3-53
Nut, Hex, Flng, M6 X 1.0, 2-51, 2-53, 2-69
Nut, Hex, Flng, M8 X 1.25, 2-33, 2-35, 2-69, 2-77, 2-99, 3-51, 3-53, 3-63
Nut, Hex, Flng, M8X1.25, 2-79
Nut, Hex, Jam, .25-28, 2-83, 2-85, 2-103, 2-143
Nut, Hex, Jam, .31-18, 2-99
Nut, Hex, Jam, M10 X 1.5, Ss, 2-113, 2-115, 3-43, 3-45
Nut, Hex, Jam, M10X1.5, Ss, 3-33
Nut, Hex, Jam, M20 X 1.5 X 4, 2-21
Nut, Hex, Lock, .25-20 NI, 2-141
Nut, Hex, Lock, .25-20, NI, 2-49, 2-85, 2-141, 2-143, 2-151, 2-153
Nut, Hex, Lock, .25-28, NI, 2-85
Nut, Hex, Lock, .31-18, NI, Ss, 3-41, 3-73
Nut, Hex, Lock, .31-18, NI, 2-25, 2-65, 2-143
Nut, Hex, Lock, .31-24, NI, 2-115, 3-45
Nut, Hex, Lock, .38-16, NI, Ss, 2-63
Nut, Hex, Lock, .38-16, NI, Thin, 2-65
Nut, Hex, Lock, .38-16, NI, 2-113, 3-43, 3-61
Nut, Hex, Lock, .50-13, NI, Ss, 2-121
Nut, Hex, Lock, .75-10, NI, 2-87
Nut, Hex, Lock, M 5 X 0.8, NI, 2-43
Nut, Hex, Lock, M04-0.7, NI, 3-17, 3-19
Nut, Hex, Lock, M05-0.8, NI, Ss, 2-83, 2-127, 3-15, 3-33, 3-39, 3-43
Nut, Hex, Lock, M06 X 1.0, NI, Ss, 3-5
Nut, Hex, Lock, M06-1.0, NI, Ss, 2-97, 3-3, 3-39, 3-51, 3-53
Nut, Hex, Lock, M08-1.25, NI, Ss, 2-95, 2-103, 2-107, 2-109, 2-111, 2-117, 2-125, 2-131, 3-21, 3-31, 3-35
Nut, Hex, Lock, M08-1.25, NI, 2-141
Nut, Hex, Lock, M08X1.25, NI, 2-79
Nut, Hex, Lock, M10 X 1.5, NI, Ss, 2-87, 3-61
Nut, Hex, Lock, M10 X 1.5, NI, 2-73, 2-99, 2-105, 2-149, 3-25
Nut, Hex, Lock, M10-1.5, NI, Ss, 2-113, 2-115, 2-117, 3-41, 3-43, 3-45
Nut, Hex, Lock, M12 X 1.75, NI, 2-33, 2-35, 2-51, 2-53, 2-101, 2-119
Nut, Hex, Lock, M16-2.0, NI, 2-103
Nut, Hex, Lock, M4 X 0.7, NI, Ss, 3-7
Nut, Hex, Lock, M5 X 0.8, NI, Ss, 2-49
Nut, Hex, Lock, M5 X 0.8, NI, 2-39, 2-93
Nut, Hex, Lock, M6 X 1.0, NI, 2-37, 2-39, 2-41, 2-43, 2-91, 2-143
Nut, Hex, Lock, M6 X 1.0, Ss, NI, 2-129
Nut, Hex, Lock, M6X1.0, NI, 2-57, 2-61
Nut, Hex, Lock, M6X1.0, Ss, NI, 3-33
Nut, Hex, Lock, M8 X 1.25, NI, 2-49, 2-53, 2-65, 2-83, 2-85, 2-91, 2-93, 2-99, 2-105, 2-119, 2-143, 2-157, 3-61, 3-63, 3-77
Nut, Hex, Lock, M8X1.25, NI, 3-11
Nut, Hex, Lock, M8X1.25, NI, Ss, 2-69
Nut, Hex, Slot, .75-16, 2-81
Nut, Hex, Slot, 1.00-20, 2-87
Nut, Hex, Std, .25-28, 2-143
Nut, Hex, Std, .31-24, 2-115, 3-45
Nut, Hex, Std, .75-16, 2-87
Nut, Hex, Std, #10-32, 2, 2-9
Nut, Hex, Std, M06 X 1.0, Ss, 2-125
Nut, Hex, Std, M08-1.25, Brs, 2-31
Nut, Hex, Std, M08-1.25, Ss, 2-117
Nut, Hex, Std, M10 X 1.5, 2-85
Nut, Hex, Std, M10X1.5, Ss, 3-33
Nut, Hex, Std, M3 X 0.5, 8, 2-85
Nut, Hex, Std, M4 X 0.7, 8, 2-49
Nut, Hex, Std, M5X0.8, 8, 2-33, 2-35
Nut, Hex, Std, M6 X 1.0, 8, 2-33, 2-35, 2-85
Nut, Hex, Std, M8 X 1.25, 2-39

Nut, Hex, Stover, M08 X 1.25, 2-69
 Nut, Hex, Stover, M08-1.25, 2-29
 Nut, Hex, Stover, M10 X 1.5, 2-69
 Nut, Hexloc Nylon, Std, M10-1.5, 2-119
 Nut, Manifold, Exhaust, M8 X 1.25, 6-5
 Nut, Motor, Hyd, 4-13
 Nut, Retainer, .31-18, 3-33, 3-39
 Nut, Stover M8 x 1.25, 5-12
 Nut, U M 6X1.0, 2-91
 Nut, Wheel, .50-20 X 60 Angle, 2-87
 Nut, Wing, .44-20, Special, 2-55, 2-57, 2-59, 2-61
 Nut-Hxslot .75-16 Pltd, 4-14, 4-15
 Nut, 2-51, 2-53, 2-111, 3-57, 3-59, 4-11, 4-25, 4-27, 4-29, 4-31, 4-32

O

O-Ring, Gland, 2-145
 Oil Pan and Plug, 5-11
 Operator Station, 8200 G/LP (includes insulation), 2-13

P

Pad, Buff, 16Dia, Red, 2-7
 Pad, Buff, 20Dia, Red, 2-5
 Pad, Hi Pro-Duty 16D Black, 2-7
 Pad, Hi Pro-Duty 20D Black, 2-5
 Pad, Polish, 16Dia, White, 2-7
 Pad, Polish, 20Dia, White, 2-5
 Pad, Scrub, 16Dia, Blue, 2-7
 Pad, Scrub, 20Dia, Blue, 2-5
 Pad, Strip, 16Dia, Brown, 2-7
 Pad, Strip, 20Dia, Brown, 2-5
 Pad, 2-83, 2-85, 3-29, 3-39
 Pan Gasket Kit, 5-15
 Pan, Oil, W/ Baffle / Plug / Seal, 6-10
 Panel Assy, Touch, 8200 L, 2-17
 Panel Kit, Perma-Filter, 2-91
 Panel Replc. Kit, Touch, 8200 L, 2-17
 Panel Wldt, Perma-Filter, 2-91
 Panel Wldt, Shield, Heat, 2-69
 Panel, Access Door, [8210/8200], 2-13
 Panel, Access, Door, Front, 2-13
 Panel, Access, Door, 2-13
 Panel, Baffle, Oil Pan, Bottom / Rear, 6-10
 Panel, Cable Cover, 2-105
 Panel, Door, Brush, Lh, 2-11
 Panel, Shield, Heat, 2-69
 Panel, 3-55
 Pedal Wldt, Lower, 2-85
 Pedal Wldt, 2-83
 Pedal, Brake Lock, 2-83
 Pedal, Upper, 2-85
 Pin , 4-19
 Pin Weldt (Replaced by 365296), 2-119
 Pin Weldt, Pivot, 2-117
 Pin Wldt, 2-113, 2-115, 3-43, 3-45
 Pin, Clevis, .44d X 5.5l, 2-119
 Pin, Clevis, 0.37 Dia.X 2.50 L, 3-43
 Pin, Clevis, 0.50 D X 1.75l, 2-95

Pin, Clevis, 5Mm Dia X 20Mm, 2-155
 Pin, Clevis, 2-9, 2-83, 2-85, 2-89, 2-95, 2-99, 2-103, 2-105, 2-109, 2-113, 2-115, 2-119, 3-29, 3-31, 3-33, 3-35, 3-41, 3-43, 3-45
 Pin, Cotter, .062 X 1.00, 2-105
 Pin, Cotter, .094 X 1.00, 2-105
 Pin, Cotter, .125 X 1.00, 2-95, 2-119, 3-29
 Pin, Cotter, .125 X 1.25, 2-101, 2-119
 Pin, Cotter, .156 X 2.00, 2-87
 Pin, Cotter, 2.3 mm, 5-7
 Pin, Dowel, Pump, Hyd, 4-5
 Pin, Dowel, 4-3
 Pin, Drive Gear, 5-11
 Pin, Hair Cotter, 13mm D 3mm Wir, 2-85
 Pin, Hair Cotter, 2-85, 2-103, 2-109, 2-113, 2-115, 2-155, 3-31, 3-35, 3-41, 3-45
 Pin, Headless, .50 Dia X 7.50, 3-39
 Pin, Hinge, Cover, Sol Tank, 2-123
 Pin, Hinge, Recovery Cover, 2-125
 Pin, Hitch, 2-121
 Pin, Hopper, Lift, 2-89
 Pin, Lock, Cyl Head, 14mm X 17mm, 6-3
 Pin, Lock, Transmission, 6-9
 Pin, Pivot, 2-87
 Pin, Ring, Lock, Hsng, Water Pump, 6-10
 Pin, Snapper, .375 X 2.25, 2-109, 3-31, 3-35
 Pin, 2-89, 2-101, 2-103, 2-113, 2-115, 2-121, 3-35, 3-43, 3-45, 5-7
 Pipe, Suc, Oil Pump, 6-10
 Piston, Pin and Ring Assembly, 0.020 OS, 5-9
 Piston, Pin and Ring Assembly, 0.040 OS, 5-9
 Piston, Pin and Ring Assembly, Std, 5-9
 Piston, Pump, Hyd, Gear, 4-13
 Piston, W/ Pin, Std, 6-9
 Pivot Weldt, Bottom Right, 2-113
 Pivot Weldt, Rh, 2-113
 Pivot Wldt, Lh, Mp, 3-45
 Pivot Wldt, Lh, 3-45
 Pivot Wldt, Rh, 3-43
 Pivot, 2-121
 Plate Assembly, Pivot, 2-147
 Plate Wldt, Back, Hopper, 2-95
 Plate Wldt, Shaker, 2-97
 Plate Wldt, Stiffener [8200/8210], 2-119
 Plate, Align, Switch, Level, Liq, 3-13
 Plate, Align, Switch, Level, Liquid, 2-125, 3-11
 Plate, Backing, 2-81
 Plate, Cam, 4-5
 Plate, Catch, Sqge Guard, 3-Hd, 3-43
 Plate, Control Box, 2-37, 2-41
 Plate, Cover, 4-5
 Plate, Floor, Cover, 2-13
 Plate, Foot Rest, 3-29
 Plate, Hopper, Wear, 2-91
 Plate, Inlet, Fan (Painted), 2-131
 Plate, Latch, Lower, 2-93
 Plate, Latch, Upper, 2-93
 Plate, Main Brush, Adjustment, 2-99

Plate, Mounting Seat, 2-19
 Plate, Mounting, Light, 2-13
 Plate, Mtg, Hyd, Pump, 2-149
 Plate, Mtg, Seat, 3-72, 3-73
 Plate, Mtg, Valve, 2-157
 Plate, Mtg, 2-21
 Plate, Pin, Clevis, Upper, 2-89
 Plate, Pivot (Repl by 393311), 2-147
 Plate, Retainer, Seal, 2-9
 Plate, Seal, 2-101
 Plate, Spacer, Lift Arm, 2-89
 Plate, Spacer, 2-13
 Plate, Support, Foot Rest, 3-29
 Plate, Thrust, 5-7
 Plate, Valve, Motor, Hyd, 4-13
 Plate, Valve, Pump, Hyd, 4-5
 Plate, Valve, 4-3, 4-11
 Plate, Wear, Uhmw, 3-39
 Plate, Wear, 4-19
 Plate, 2-37, 2-41, 2-87
 Plug (Replaced by none), 5-11
 Plug & O-Ring, 4-23
 Plug #4, 4-11
 Plug Assembly, 4-11, 4-14, 4-15
 Plug Assy, Byd, 2-155
 Plug Assy,Byd, 4-23
 Plug Assy, 4-19
 Plug Gage #6, 4-23
 Plug S/A, 4-3
 Plug, .12npt, Ss, 2-43
 Plug, 1/4 NPT, 5-5
 Plug, Ball, Oil Gallery, 5-5
 Plug, Bore, Valve, Relief, Oil Press, 6-10
 Plug, Control Box, 2-37, 2-41
 Plug, Coolant Hole, Eng Block, 6-9
 Plug, Core Hole, Eng Block, 6-9
 Plug, Drain, Oil Pan, M14 X 1.5 X 12, 6-10
 Plug, Drive, Brush, 2-101
 Plug, Expandable, 1.5D 1.8L, 2-125
 Plug, Float Switch, 2-123
 Plug, Gauge, 4-25, 4-27, 4-29
 Plug, Hole, Injector, 2-43
 Plug, Hsng, Oil Pump, 6-10
 Plug, Idler, Brush, 2-101
 Plug, Manifold, Intake, 2-39, 2-43
 Plug, Oil Drain, 5-11
 Plug, Port, Sensor [Map], 2-39, 2-43
 Plug, Pump, Hyd, Gear, 4-13
 Plug, Rocker Arm Shaft, 11 mm, 5-7
 Plug, 2-101, 3-37, 4-13, 4-17, 4-25, 4-27, 4-29, 4-31, 5-3, 5-5, 5-12
 Plunger, 4-23, 5-11
 Poppet, Pump, Hyd, Gear, 4-13
 Pulley, Bushing, Assy, 2-65
 Pulley, Cshft, 6-9
 Pulley, Fan, Stl, 2-65
 Pulley, Fan, 2-65
 Pulley, Tension, Belt, Timing, 6-7
 Pulley, 2-63, 2-105
 Pump Housing Assy, 4-3
 Pump, Assy, Flowjet, (See Breakdowns), 3-3

CROSS REFERENCE

Pump, Detergent Metering (See Breakdowns), 3-17, 3-19
Pump, Detergent Metering, 4-33
Pump, Flowjet, 4-34
Pump, Fuel, Hi-Press [Gm 1.6/3.0], 2-49
Pump, Fuel, 2-47
Pump, Hyd Gear (See Breakdowns), 2-145, 2-147
Pump, Hyd Gear, 4-7, 4-8, 4-9
Pump, Hyd Piston (See Breakdowns), 2-145
Pump, Hyd Piston V 1.24 R 2750, 4-3
Pump, Hyd, Gear [Ex1] 0.66 [R] 3000 (See Breakdown), 2-149
Pump, Hyd, Piston, Var, 1.24 2750, Cw, 4-5
Pump, Oil, 5-11, 6-10
Pump, Soltn, Impeller, 12Vdc, 3-5, 3-7
Pump, Water, 6-9

R

Race Thrust, 4-14, 4-15, 4-17
Race, Bearing, Pump, Hyd, 4-5
Race, Bearing, 4-3, 4-19
Race, Inner Bearing, 4-3
Radiator Guard, Gas/Lpg, W/Lab, 2-71
Radiator, F/1018059 Afmk, 2-73
Radiator, 2-71, 2-73
Rail, Injector, Gas, W/ Press Reg, 2-39
Rectifier, 2-63
Regulator, 2-63
Relay, 12 Vdc, 20A, Spdt [Mini], 2-185
Relay, 12 Vdc, 40A, Spdt [Potter], 2-185
Relay, 12V, 2-13
Relief Valve, 4-3
Repair Info., 4-20, 4-21
Repair Info, Pump, 4-3
Repair Info, Pmp, 4-7
Repair Info, 4-8, 4-9, 4-19
Repl. Kit, Latch, 2-25
Reservoir, Hyd, 8.2 Gal, 2-151, 2-153
Reservoir, Hydraulic, 2-151, 2-153
Restrictor, Jet, Coolant, 2-43
Retainer Assembly, Rear, 5-9
Retainer, Camshaft, 6-7
Retainer, Frt, 4-11
Retainer, Motor, Hyd, 4-13
Retainer, Rh, 3-41
Retainer, Ring, 2-81, 3-43
Retainer, Sparkplug, 1 Way, 6-8
Retainer, Sparkplug, 2 Way, 6-8
Retainer, Sparkplug, 3 Way, 6-8
Retainer, Squeegee, 2-113, 2-115, 3-41, 3-45
Retainer, Wldt, Squeegee Hose, 2-69
Retainer, 2-9, 2-121, 5-3, 5-7
Ring Set, Piston, 0.020 OS, 5-9
Ring Set, Piston, 0.040 OS, 5-9
Ring Set, Piston, Std, 5-9
Ring, Gear, 5-18
Ring, Locating, Starter, Lh, 2-31
Ring, Motor, Hyd, 4-13

Ring, Retaining, External, 2-121
Ring, Retaining, Pump, Hyd, 4-5
Ring, Retaining, Snorkel Duct, 2-125
Ring, Retaining, 2-85, 2-89, 2-105, 2-119, 2-121, 2-127, 3-15, 3-17, 3-19, 3-69, 4-5, 4-19, 4-23
Ring, 4-11
Rivet, Plastic, 2-9
Rivet, Plstc, .250 X 0.898, 2-73
Rivet, Plstc, 2-9, 2-13, 2-21, 2-27, 2-71, 2-91, 2-107
Rivet, Pop, 2-67
Rod Assembly, Connecting, 5-9
Rod End, Female, M8, 2-109
Rod, Connecting, M8 X 45, 6-9
Rod, Link, Brake, 2-83
Rod, Mp, 3-45
Rod, Support, 2-25
Rod, Thrd, 1 End, .25-28 7.5L, 2-143
Rod, Thrd, 2 End M10X1.5 12.2L, 3-33
Rod, Valve Push, 5-7
Rod-End, .25-28rh Fem 0.25b [Teflon], 2-85
Rod-End, .25-28rh Fem 0.25b, 2-143
Rod-end, .75-16rh Fem 0.75b, 2-87
Rod-end, .75-16rh Mal 0.75b [Teflon], 2-87
Rod-End, M10X1.5Rh Fem M10X1.5 Stud, 3-33
Rod-End, 2-113, 2-115, 2-141, 3-43, 3-45
Rod, 2-115, 2-121, 3-69
Roller, .975D X .506B X 2.28L, 3-35
Roller, 1.75D X 1.22L, 3-35
Roller, Thimble, 2-119
Roller, 2-109, 2-113, 2-119, 3-31, 3-35, 3-41, 3-43
Rotating Kit, 4-3
Rotor and Shaft, 5-11

S

Scr Hexssm 8X1.25 110, 2-125, 2-131
Scr Panssm 4X0.7 35, 2-5, 2-7
Scr-pan 08-32x0.50 Tamper, 2-17
Screen, Oil Pump, W/ Suc Pipe, 6-10
Screen, Pump, Detergent, 3-17, 3-19
Screen, Snorkel, 2-125
Screw, Set, 4-34
Screw, Adj, Valve, Hyd, 6-3
Screw, Cap, Motor, Hyd, 4-13
Screw, Cap, 4-3, 4-5, 4-7, 4-8, 4-9, 4-11, 4-19
Screw, Flat, M10-1.5 X 35, 10.9, 2-147
Screw, Flat, M12-1.75X 80, 10.9, 2-101
Screw, Flt, .50-13 X 2.50, Al, 2-103
Screw, Flt, M10 X 1.5 X 35, 10.9, 2-149
Screw, Flt, M5 X 0.8 X 12, 10.9, 2-93
Screw, Flt, M6 X 1.0 X 25, 10.9, 2-91
Screw, Flt, M8X1.25X30, Ss, 2-69
Screw, Hex 6X 1.0 16 Pltd, 2-91
Screw, Hex Ss/M6 X 1.0 12, 2-101
Screw, Hex, .25-20 X 0.50, 5, 2-33, 2-35
Screw, Hex, .25-20 X 0.75, NI, 2-147

Screw, Hex, .25-20 X 0.75, Ss, 2-11
Screw, Hex, .25-20 X 0.75, Sems, 2-51
Screw, Hex, .25-20 X 1.00, Ss, 3-37
Screw, Hex, .25-20 X 1.50, 5, 2-85
Screw, Hex, .25-20 X 1.75, 5, 2-141, 2-143
Screw, Hex, .25-20X1.00, 5, 2-143
Screw, Hex, .31-18 X 0.75, 5, 2-19
Screw, Hex, .31-18 X 0.75, Sems, 2-63
Screw, Hex, .31-18 X 4.50, 5, 2-65
Screw, Hex, .38-16 X 0.62, Ss, 2-19
Screw, Hex, .38-16 X 0.75, 5, 2-33, 2-35
Screw, Hex, .38-16 X 0.75, NI, 2-101
Screw, Hex, .38-16 X 1.00, 5, 2-143
Screw, Hex, .38-16 X 1.25, NI, 2-103
Screw, Hex, .38-16 X 1.50, 5, 2-65
Screw, Hex, .38-16 X 3.00, 5, 3-61
Screw, Hex, .38-16 X 3.75, 5, 3-61
Screw, Hex, .50-13 X 1.25, 5, 2-33, 2-35
Screw, Hex, .75-10 X 2.50, Fl, 2-101
Screw, Hex, .75-10 X 3.25, 5, 2-87
Screw, Hex, .75-10 X 5.00, G5, 2-87
Screw, Hex, #10-24 X 0.50, Ss, 2-65
Screw, Hex, Fmg, M04-0.7 X 10, 3-81, 3-83
Screw, Hex, Fmg, M06-1.0 X 12, 2-95, 3-65, 3-67
Screw, Hex, Fmg, M06-1.0 X 20, 2-9, 2-89, 2-95, 3-51, 3-53
Screw, Hex, Fmg, M06-1.0 X 25, 2-9
Screw, Hex, Fmgab, .31 X 1.50, 2-103
Screw, Hex, M 6 X 1.0 X 20, 8.8, 2-33, 2-35
Screw, Hex, M05-0.8 X 16, Ss, 2-83, 2-109, 3-31, 3-35
Screw, Hex, M05-0.8 X 25, Ss, 2-127, 3-15
Screw, Hex, M06 X 1.0 X 30, 8.8, 3-59
Screw, Hex, M06-1.0 X 20, Ss, 2-101, 3-51, 3-53
Screw, Hex, M06-1.0 X 16, Ss, 2-89, 2-123, 2-129
Screw, Hex, M06-1.0 X 20, Ss, 2-125, 3-39
Screw, Hex, M06-1.0 X 25, Ss, 2-97
Screw, Hex, M06-1.0 X 70, Ss, 2-129
Screw, Hex, M08 X 1.25 X 16, 8.8, 2-13
Screw, Hex, M08 X 1.25 X 20, Ss, 2-109, 3-5
Screw, Hex, M08 X 1.25 X 20, 8.8, 2-141
Screw, Hex, M08-1.25 X 16, Ss, 2-11, 2-19, 2-107, 3-9, 3-72
Screw, Hex, M08-1.25 X 20, Ss, 2-9, 2-11, 2-67, 2-95, 2-101, 2-107, 2-113, 2-115, 2-117, 2-129, 2-151, 2-153, 3-3, 3-17, 3-19, 3-37, 3-39, 3-41, 3-45
Screw, Hex, M08-1.25 X 25, Ss, 2-9, 2-103, 2-107, 2-125, 3-31
Screw, Hex, M08-1.25 X 30, Ss, 2-109, 2-113, 3-21, 3-31, 3-35, 3-41
Screw, Hex, M08-1.25 X 35, Ss, 2-111
Screw, Hex, M08-1.25 X 40, Ss, 2-95

- Screw, Hex, M08-1.25 X 50, Ss Full Thread, 2-117
- Screw, Hex, M10 X 1.5 X 25, 8.8, 2-33, 2-35
- Screw, Hex, M10 X 1.5 X 16, 8.8, 2-65
- Screw, Hex, M10 X 1.5 X 20, 8.8, 2-65, 2-149
- Screw, Hex, M10 X 1.5 X 25, 8.8, 2-149, 3-27
- Screw, Hex, M10 X 1.5 X 30, 8.8, 2-69, 3-25, 3-51, 3-53, 3-81, 3-83
- Screw, Hex, M10 X 1.5 X 35, 8.8, 2-69, 2-73
- Screw, Hex, M10 X 1.5 X 40, 8.8, 2-99
- Screw, Hex, M10 X 1.5 X 50, 8.8, 2-85
- Screw, Hex, M10 X 1.5 X 50, Ss, 2-69
- Screw, Hex, M10 X 1.5 X 60, 8.8, 2-85
- Screw, Hex, M10 X 1.5 X 70, 8.8, 2-87
- Screw, Hex, M10 X 1.5 X 70, Ss, Fl, 3-61
- Screw, Hex, M10-1.5 X 20, Ss, 3-43
- Screw, Hex, M10-1.5 X 35, Ss, 3-41
- Screw, Hex, M10-1.5 X 25, Ss, 2-113, 2-115, 3-45
- Screw, Hex, M10-1.5 X 30, Ss, 2-115, 3-45
- Screw, Hex, M10-1.5 X 35, Ss, 2-113, 2-115, 3-45
- Screw, Hex, M10-1.5 X 50, Ss, 2-115, 2-117
- Screw, Hex, M10-1.5 X 60, Ss, 2-117
- Screw, Hex, M10X1.5X60, Fl, 2-65
- Screw, Hex, M12 X 1.75 X 60, 8.8, 2-33, 2-35
- Screw, Hex, M12 X 1.75 X 35, 8.8, 2-119
- Screw, Hex, M12-1.75 X 50, Fl, 2-51, 2-53
- Screw, Hex, M12-1.75 X110, Fl, 2-147
- Screw, Hex, M16 X 2.0 X 90, 8.8, 2-103
- Screw, Hex, M5 X 0.8 X 16, Ss, 2-49
- Screw, Hex, M6 X 1.0 X 10, 8.8, 2-75
- Screw, Hex, M6 X 1.0 X 12, 8.8, 2-85, 2-93
- Screw, Hex, M6 X 1.0 X 16, 8.8, 2-73, 2-93, 3-61
- Screw, Hex, M6 X 1.0 X 20, 8.8, 2-51, 2-53, 2-85, 3-61
- Screw, Hex, M6 X 1.0 X 20, Ss, 3-7
- Screw, Hex, M6 X 1.0 X 25, 8.8, 2-49, 2-73, 2-91, 2-93
- Screw, Hex, M6 X 1.0 X 30, 8.8, 2-37, 2-41
- Screw, Hex, M6 X 1.0 X 45, 8.8, 2-143, 5-13
- Screw, Hex, M6X1.0X20, 8.8, 2-53, 2-57, 2-61
- Screw, Hex, M6X1.0X35, Ss, 3-33
- Screw, Hex, M7-1.0 X 23.0, 8.8, 2-33, 2-35
- Screw, Hex, M8 X 1.25 X 25, Ss, 2-125
- Screw, Hex, M8 X 1.25 X 16, 8.8, 2-73, 2-157
- Screw, Hex, M8 X 1.25 X 20, 8.8, 2-65, 2-85, 2-87, 2-99, 2-105, 2-143, 3-61, 3-63, 3-77, 3-81, 3-83
- Screw, Hex, M8 X 1.25 X 20, Ss, NI, 3-29
- Screw, Hex, M8 X 1.25 X 20, Ss, 2-69, 2-125, 3-29
- Screw, Hex, M8 X 1.25 X 25, 8.8, 2-143
- Screw, Hex, M8 X 1.25 X 25, Fmg, 2-9
- Screw, Hex, M8 X 1.25 X 25, 2-65, 2-93, 2-105, 3-51, 3-53, 3-61, 3-63
- Screw, Hex, M8 X 1.25 X 30, 8.8, 2-49, 2-91, 2-99, 2-105
- Screw, Hex, M8 X 1.25 X 35, 8.8, 2-83, 2-93, 2-105, 2-157
- Screw, Hex, M8 X 1.25 X 40, 8.8, 2-83, 2-119
- Screw, Hex, M8 X 1.25 X 50, Ss, Fl, 2-143
- Screw, Hex, M8 X 1.25 X 60, 8.8, 2-65, 2-105
- Screw, Hex, M8 X 1.25 X 65, 8.8, 2-105
- Screw, Hex, M8 X 1.25 X 90, 8.8, 2-119
- Screw, Hex, M8X1.25X16, 8.8, 2-39
- Screw, Hex, M8X1.25X20, 8.8, 2-53
- Screw, hex, m8X1.25X20, 8.8, 3-11
- Screw, Hex, M8X1.25X20, Ss, NI, 2-69
- Screw, Hex, M8X1.25X25, 8.8, 2-79
- Screw, Hex, M8X1.25X45, 8.8, 2-75, 2-77
- Screw, Hex, 2-147, 3-85
- Screw, M4 x 10, 5-17
- Screw, M5x16, 5-17
- Screw, M6 x 14, 5-5
- Screw, M8 x 14, 5-17
- Screw, Pan, #10-14 X 0.75,, 2-91
- Screw, Pan, #12- X 0.50,, 3-53
- Screw, Pan, #12-X 0.50, 3-51
- Screw, Pan, M03-0.5 X 25, Ss, 2-89
- Screw, Pan, M04-0.7 X 16, Ss, 3-17, 3-19
- Screw, Pan, M05-0.8 X 20, Ss, 3-43
- Screw, Pan, M05-0.8 X 20, Ss, 3-33, 3-39
- Screw, Pan, M06-1.0 X 10, Ss, 2-89
- Screw, Pan, M3 X 0.5 X 20, 4.8, 2-85
- Screw, Pan, M3 X 0.5 X 30, 4.8, 2-85
- Screw, Pan, M4 X 0.7 X 16, Ss, 3-7
- Screw, Pan, M5 X 0.8 X 40, 4.8, 2-39, 2-43
- Screw, Pan, M6 X 1.0 X 25, 4.8, 2-37, 2-41
- Screw, Pan, M6 X 1.0 X 35, Ss, 2-5, 2-7
- Screw, Pan, Ss, 2-97
- Screw, Pan, 2-111
- Screw, Rocker Cover to Head, 5-3
- Screw, Scoc, M8X1.25X45, 12.9, 3-31, 3-35
- Screw, Set, #10-24 X 0.25, NI, 2-97
- Screw, Set, #10-32 X 0.38,, 2-147
- Screw, Set, M6x1.0 8, 2-147
- Screw, Soc, .31-24 X 0.75, Al, 2-141, 2-143
- Screw, Soc, .38-16 X 1.50, Al, 2-33, 2-35
- Screw, Soc, .38-16X2.00, Al, 2-65
- Screw, Soc, .50-13 X 1.50, Al, 2-87
- Screw, Soc, M06-1.0 X 20,12.9, 2-37, 2-41
- Screw, Soc, M06-1.0 X 45, Al, 2-63
- Screw, Soc, M08 X 1.25 X 25, 12.9, 2-109
- Screw, Soc, M08 X 1.25 X 20, 12.9, 2-109, 3-31, 3-35
- Screw, Soc, M08-1.25 X 60, Al, 2-89
- Screw, Soc, M12 X 1.75 X 55, 10.9, 2-33, 2-35
- Screw, Soc, M6 X 1.0 X 25, 12.9, 2-39
- Screw, Soc, M6 X 1.0 X 45, 12.9, 2-39
- Screw, Soc, M8X1.25X45, 12.9, 2-109
- Screw, 2-113, 2-121, 4-17, 5-7
- Screws, 4-3
- Seal Kit, Cart, 4-25, 4-27, 4-29, 4-31, 4-32
- Seal Kit, Coil, 4-25, 4-27, 4-29, 4-31, 4-32
- Seal Kit, Hyd Mtr Gear, 4-20, 4-21
- Seal Kit, Motor, 4-17
- Seal Kit, Pump, 4-3, 4-7
- Seal Kit, Rear, 4-11
- Seal Kit, Shaft, 4-11
- Seal Kit, Stg, 4-19
- Seal Kit, Vlv, 4-23
- Seal Kit, 4-8, 4-9
- Seal Replmt Kit, 4-14, 4-15
- Seal Wrap, Dump Door, 2-95
- Seal, Assy, Bulb, 2-133
- Seal, Bearing, 3-69
- Seal, Boot, Steering Column, 2-21
- Seal, Bulb, 15.75, 3-63
- Seal, Bulb, 17, 3-63
- Seal, Bulb, 23.38, 3-63
- Seal, Bulb, 23, 3-63
- Seal, Bulb, 29, 3-63
- Seal, Bulb, 30.5, 3-63
- Seal, Bulb, 7.5, 3-63
- Seal, Bulb, 8.25, 3-63
- Seal, Bulb, Sd-168 17.58 Cov, 2-25
- Seal, Bulb, Sd-168 24.18, Co, 2-25
- Seal, Bulb, Sd-168 4.0, 2-15
- Seal, Bulb, Sd-504 15.10, Co, 2-25
- Seal, Bulb, Sd-504 23.00, Co, 2-25
- Seal, Bulb, Sd-504 27.0, 2-15
- Seal, Bulb, Sd-504 29.0, 2-23
- Seal, Bulb, Sd-504 36.5, Cov, 2-25
- Seal, Bulb, Sd-504 40.7, Cov, 2-25
- Seal, Bulb, Sd-504 8.5, 2-15
- Seal, Connector, 60 Pin, 2-17
- Seal, Cover Plate, 5-11
- Seal, Cover, 2-15
- Seal, Crankshaft Rear, 5-9
- Seal, Cshft Oil, 6-9
- Seal, Door, Side, Lower, 2-73
- Seal, Dump Door, Side, 2-95
- Seal, Dump Door, 2-3
- Seal, Foam Rbr. .5X1.0X20.0, 2-97
- Seal, Foam, 2-9, 2-13
- Seal, Front Cover, 5-9, 5-13
- Seal, Grease Cavity, 2-87
- Seal, Headlight, 2-91
- Seal, Hopper Door, 2-91
- Seal, Hopper Side, 2-9
- Seal, Hose, 2-127, 3-15
- Seal, Hppr,, 2-3
- Seal, Lintel, 2-9
- Seal, O-Ring .549ld X .103Thk, 2-129
- Seal, O-Ring Non-Std .070X8.19, 2-17
- Seal, Org, Bolt, Cover, Camshaft Hsng, 6-7
- Seal, Org, Cap, Oil Filter, 6-10
- Seal, Org, Cap, 6-3
- Seal, Org, Cover, Water Pump, 6-9

CROSS REFERENCE

- Seal, Org, Hsng, Oil Pump, 6-10
Seal, Org, Oil Pump, 6-10
Seal, Org, Press Switch / Drain Plug, 6-10
Seal, Org, Throttle Body, 2-44
Seal, Org, 2-43
Seal, Panl, Cntrl, 2-17
Seal, Rbr, Open, 0.75th, 1.00w 02.5l, 2-13
Seal, Ring, Pipe, Suc, Oil Pump, 6-10
Seal, Rubber .50 X 1.00 X 8.0L, 2-11
Seal, Side Door, Lower, 2-71
Seal, Side Door, Upper, 2-27
Seal, Spacer, Filter, 2-97
Seal, Top, Lh Sbdc, 3-51, 3-53
Seal, Top, Rh Sbdc, Maxpath, 3-51
Seal, Top, Rh Sbdc, 3-53
Seal, Top, Hopper, 2-9
Seal, Ure. 0.38 0.75W 07.3L Adh, 3-77
Seal, Ure.50X.75X24.0L, 2-11
Seal, Urethane Covered Foam, 2-9, 2-11
Seal, Valve Stem, 5-3
Seal, Wrap, Rear Brush, 2-9
Seal, 2-3
Sealant, Tube, Indicator, Oil Level, 6-10
Seat Belt Kit 8200, 3-71
Seat Kit, Grammer 8200, 3-72
Seat Kit, Michigan 8200, 3-73
Seat, Michigan W/O Armrest, 3-73
Seat, Michigan, Model V-1500, 2-19
Seat, Rotator, Valve, 6-3
Seat, Spring, Valve, 0.333, 6-3
Seat, Spring, Valve, 6-3
Seat, Valve, Exhaust, [+0.2mm], 6-3
Seat, Valve, Exhaust, [+0.4mm], 6-3
Seat, Valve, Exhaust, Std, 6-3
Seat, Valve, Intake, [+0.2mm], 6-3
Seat, Valve, Intake, [+0.4mm], 6-3
Seat, Valve, Intake, Std, 6-3
Seat, 2-19, 3-72
Send-Unit, Fuel, Ohm, 2-47, 2-49
Sender, Filter, Hydraulic, 3-65
Sender-Temperature, Water, 2-29
Sensor, [Tmap], 2-39, 2-43
Sensor, 45_, 5-5
Sensor, Level, Liquid, 30w [Mag], 2-125, 3-13
Sensor, Level, Liquid, 30W [Mag], 3-11
Sensor, Oxygen, 2-33, 2-35
Sensor, Position, Cshft, 2-33, 2-35
Sensor, Temp, Water, 0.12npt 220 Deg No, 2-33, 2-35
Sensor, Water Temperature, 5-12
Sensor, 2-37, 2-41
Separator, Ignition Wire, 5-17
Severe Environment Kit, 8200 Lin, 3-65
Shaft Ass'Y, Water Manifold, 2-129
Shaft Assembly, Rocker Arm, 5-7
Shaft Idler, 2-101
Shaft S/A, 4-11
Shaft Wldt, Brake, 2-83
Shaft, Drive, Pump, Hyd, 4-5
Shaft, Drive, 4-3
Shaft, Motor, Hyd, 4-13
Shaft, Output, 4-14, 4-15, 4-17
Sheave Kit, Pump, 2-147
Sheave, Engine, Rework, 2-147
Sheave, Engine, 2-147
Sheave, Pump, 2-147
Sheave, 2-63, 2-89, 2-149
Sheet, Rbr, 8.00L Guard, Hose, 2-145
Shield Exhaust, 2-29
Shield, Manifold, Exhaust, 6-5
Shield, Starter [1.6l], 2-33
Shield, Tank, 2-51, 2-53
Shock Absorber, 2.3 Strk, 2-143
Shock Absorber, 2-141
Shoe, Brake, 2-81
Shoe, Plastic-Squeegee 14In, 3-55
Shroud, Fan, Radiator, W/Label, 2-73
Skirt, Brush Door, Rh, 2-11
Skirt, Door, Brush, Lh, 2-11
Skirt, Front, Sbdc, Maxpath, 3-51
Skirt, Front, Sbdc, 3-53
Skirt, Front, Scrubhd, 2-107
Skirt, Lip, 2-91
Skirt, Rear, Scrubhead, 2-107
Skirt, Sbdc, Maxpath, 3-51
Skirt, Sbdc, 3-53
Skirt, Side Brush, 2-91
Skirt, 2-3
Sleeve, .318b .496d .250l Ss, 2-143
Sleeve, .318B .75Od 1.625L, 2-105
Sleeve, .330B .62D .88 Stl, 2-99
Sleeve, .510B .75D .75 Stl, 2-99
Sleeve, .75 Od .406 Id 1.176 L, 2-117
Sleeve, .88D, .50B, 1.63L, 3-25
Sleeve, Dashpo, Pump, Hyd, Gear, 4-13
Sleeve, Hex, T-Nut, Brush Arm, 2-101
Sleeve, Nyl 2.88 Id 35.00 L, 2-121
Sleeve, P/M, 0.375d 0.250b 0.16l 430ss, 2-85
Sleeve, P/M, 0.496D 0.318B 0.50L 430Ss, 3-59
Sleeve, Throttle [Bosch], Plstc, 2-43
Sleeve, 2-89, 2-93, 2-103, 2-105, 2-109, 2-113, 2-115, 2-119, 2-125, 3-31, 3-35, 3-41, 3-43, 3-45
Slinger, Oil, 5-9
Solenoid, 12V, 4-25, 4-27, 4-29, 4-31, 4-32
Spacer, 4-19
Spacer Plate, 4-14, 4-15
Spacer, 0.75D 0.38B 0.31L Nyl, 3-43
Spacer, Coil, 4-29
Spacer, Fan, Gas, 2-63
Spacer, Fan, 2-65
Spacer, Sppt, Filter Lock Off, 2-43
Spacer, Switch, Cam, Propel, [8200/8210], 2-85
Spacer, 2-71, 2-107, 2-141, 2-147, 3-33, 3-37, 3-39, 4-17, 4-23
Spark Plug [Fd], 2-3
Spark Plug, 5-17
Sparkplug, 2-3, 6-8
Spring Kit, Scu, 4-19
Spring, Brush Retaining, 2-5, 2-7
Spring, Compression, 2-37, 2-147, 3-69
Spring, Die .62ld 1.25Od 1.75L, 2-103
Spring, Extension, 3.88L 1.5D, 2-117
Spring, Extension, 2-113, 2-115, 2-119, 3-41, 3-43, 3-45, 3-55
Spring, Gas (130 lb), 2-25
Spring, Gas 56Lb, 3-33, 3-39
Spring, Gas, 72 lb, 3-63
Spring, Locating, 5-7
Spring, Motor, Hyd, 4-13
Spring, Parking Brake, 2-83
Spring, Propel, Centering, 2-141
Spring, Return, Brake, 2-81
Spring, Tens, 2-99
Spring, Tension, 2-113, 2-155, 3-43
Spring, Torsion, 2-83, 2-105
Spring, Valve, Relief, Oil Press, 6-10
Spring, Valve, 5-3, 6-3
Spring, 2-143, 4-3, 4-11, 4-13, 4-23, 5-11
Sprng, Tens, .725 Od X .154 Wi, 2-103
Sprocket, Camshaft, 5-7, 6-7
Sprocket, Crankshaft, 6-7
Sprocket, Pump, Water, 6-9
Sprocket, 5-9
Squeegee Guard Kit, 3-85
Squeegee Kit, Rear 8200/8210, 2-121
Squeegee Weldt, Lh, 2-115
Squeegee Weldt, Rh, 2-113
Squeegee, Side, Lh Urethane (1200), 3-45
Squeegee, Side, Lh, 3-45
Starter, 12Vdc [Gm], 6-9
Starter, Lh, 2-31
Steer Control, NYD#2 06.1 1000, 4-19
Steering Control, Hyd (See Breakdowns), 2-21
Steering Tilt, Kit 8200 Line, 3-69
Strainer, Hyd, 25gpm 100mesh Psi, 2-3
Strainer, Recovery, 3-9
Strainer, Screen, Solution Tank, 2-123
Strainer, Soltn, 20mesh Cyl 3.5d 7.5l, 3-11, 3-13
Strainer, Soltn, Switch Guard, 3-11
Strainer, Switch, Grd Rep.By1023713, 2-125, 3-13
Strainer-Hyd Suction 25-100-03, 2-151, 2-153
Strap Cap Retainer, 2-127, 3-15, 3-17, 3-19
Strap Wldt, Mtg, Tank, .36 1.00w 24.8l, 3-61
Strap Wldt, Mtg, Tank, .36 1.00w 28.8l, 2-151
Strap, Mounting, Actuator, 2-37, 2-41
Strap, Adj, Alternator, 2-65
Strap, Gas, 2-47, 2-49
Strap, Hanger, Muffler, 2-67
Strap, Hinge - Lp Tank Mtg, 3-57, 3-59
Strap, Motor, Shaker, 2-97
Strap, Mtg.- Lp Tank, 3-57, 3-59
Strap, Mtg, Tank, Lpg, Hinge, 3-61
Strap, Mtg, Tank, Lpg, 3-61
Strap, Rbr, Tie-Down, 2/Hooks 19.0l, 3-61
Strap, Rubber, 2-79
Strap, Tank Retainer - Lp, 3-57, 3-59

Strap, 2-153, 3-57, 3-59, 3-61
 Strip, Front Retainer, 2-121
 Strip, Nonslip, 2-121
 Strip, Rear Retainer, 2-121
 Strip, Retainer, Door, Dump, 2-95
 Strip, Retainer, Door, Side, 2-95
 Strip, Retainer, Flap, 2-9
 Strip, Retainer, Lintel Seal, 2-9
 Strip, Retainer, Sbdc, 3-51, 3-53
 Strip, Retainer, Skirt, Rh Doo, 2-11
 Strip, Retainer, 2-9, 2-91, 2-101, 3-51, 3-53
 Strip, 2-69
 Stud, Adjusting, 2-85
 Stud, Ball, Gas Spring, 2-25, 3-33, 3-39
 Stud, M8X1.25 25 8.8 Pltd, 2-125
 Stud, Manifold, M8 X 28, 6-5
 Stud, Manifold, M8 X 96, 6-5
 Stud, Starter, M8 X 1.25, 6-9
 Stud, T-Nut, Brush Arm, 2-101
 Stud, Wheel .50-20 X 1.50 Pltd, 2-87
 Stud, 5-12
 Support, Rocker Arm Shaft, 5-7
 Switch Assy, Dual Press, 14" Tube, 3-11
 Switch Assy, Press, 3 Inch, 8" Tube, 2-125, 3-11
 Switch Assy, Press, 3.0, 14.00, [8200], 3-13
 Switch Assy, 2-85
 Switch Ignition, 2-13
 Switch, Indicator, Oil Press, 2-33, 2-35, 6-10
 Switch, Press, 12Vdc 08A Spst Nc 0070Psi, 2-53
 Switch, Press, 12vdc 08a Spst Nc 0070psi, 3-61
 Switch, Press, 3.0" 02pf 08" Tube, 3-13
 Switch, Pressure Oil, 2-29
 Switch, Pressure, Lpg, 2-51
 Switch, Pressure, 3-65
 Switch, Pushmom, Spst100A 12V, 2-13
 Switch, Rocker, Spdt, 2 Pos, 2-13
 Switch, Rocker, Spdt, 3Pos, 2-13, 3-21, 3-23
 Switch, Roller, 3-65, 3-67
 Switch, Snap Actn, 250VDC 20A Dpdt, 2-13
 Switch, Snap Actn, 250Vdc 25A Spdt, 2-89

T

Tank, Coolant, 04.7 03.3 4.7deep, 1liter, 2-75, 2-77
 Tank, Coolant, 06.0 04.5 06.9Deep 2.5 Qt, 2-75, 2-77
 Tank, Detergent, 3-17, 3-19
 Tank, Fuel, 10.5gal [8200/8210], 2-49
 Tank, Fuel, 2-47
 Tank, Lpg, 33Lb, W/ Gauge [Empty] [Liq], 2-53
 Tank, Recovery, 2-125
 Tank, Solution, 2-123
 Tank-Lp,33@,Liq,Both,Fill Ga L, 2-51
 Tape, Video, Operator, 8200, 3-86

Tappet, Std, 5-7
 Tensioner, 5-7
 Terminal, Qdc, [.25M, Tab.], 2-33, 2-35
 Terminal, Qkdisc .25M Tab .19D, 2-97
 Thermostat, 180 Deg, 2-29, 5-14
 Thermostat, W/ Hsng And Seal, 6-3
 Thermostat, 2-97
 Thrust Bearing, 4-14, 4-15
 Tie, Cable 1.75D Max 7.50Lg, 2-107, 2-141, 3-3, 3-17, 3-19, 3-37
 Tie, Cable, Nyl, 07.3L .19w 1.8 Max D, 3-5
 Tie, Cable, Nyl, 07.3L .19W 1.8Max D, 3-77
 Tie, Cable, Nyl, 11.4L .19w 3.0 Max D, 2-13
 Tie, Cable, Nyl, 14.5L .30w 4.0 Max D, 2-121
 Tie, Cable, Nyl, 15.3L W4.5 MaxD, 2-145
 Tie, Cable, Nyl, 28.5L 50W 8.0 Max D, 2-75, 2-77
 Tire & Wheel Assy, 3-79
 Tire 16.25X6.00X11.25 Non Skid, 2-87
 Tire, 4.00X8-3.75 Solid, 3-79
 Tire, Assy Solid Scrubber, 2-87
 Tire, Solid, 2-81
 Tray Wldt, Hyd Tank, 2-151, 2-153
 Tray Wldt, Tank, Hyd, 2-151, 2-153
 Tray, Battery, W/Label, 2-79
 Tray, Battery, 2-79
 Tray, Lpg, Horizontal, W/Label, 3-57
 Tray, Lpg, W/Label (Rplc By 377338), 2-51
 Tray, Lpg, W/Label, 2-51
 Tread, Floor, 4.8 X 15.0, 3-39
 Tube [Pcv], 6-3
 Tube Assembly, 2 in, 2-125, 3-9
 Tube Assembly, Oil Pickup, 5-11
 Tube Assembly, 3-85
 Tube Glimt, Sensor, Level, Soltn, 2.0l, 3-11
 Tube Wldt, Exhaust, 1.5d, 2-69
 Tube Wldt, Leg, Ohg, Lh, 3-25
 Tube Wldt, Leg, Ohg, Rh, 3-25
 Tube Wldt, Main Brush, 2-101
 Tube Wldt, Tee, 2-57, 2-61
 Tube, .344B X .625D X .610Lg, 2-111
 Tube, .56B .75D 2.9L, 2-119
 Tube, 0.50D 0.38B 2.27L Ss, 2-119
 Tube, 0.62d 0.41b 0.6l, Ss, Cham, 2-113, 2-115, 3-41, 3-45
 Tube, 00.38d 00.26b 00.3l Stl Plt, 2-85, 2-143
 Tube, 00.38d 00.28b 00.6l Stl, 2-73
 Tube, 00.75d 00.38b 01.3l Stl, 2-65
 Tube, Air Bleed, .62d 2.2l .12npt Alum, 2-39, 2-44
 Tube, Exhaust, Gas, 2-67
 Tube, Exhaust, Rear, 2-67
 Tube, Exhaust, 2-67, 2-69
 Tube, Indicator, Oil Level, 6-10
 Tube, Oil Level Indicator, 5-11
 Tube, Radiator, Lower, 2-73
 Tube, Rnd, Alm, 00.5.D 00.43B 00.2L, 3-33
 Tube, Wye, Round, 2X2X1, 3-47

Tubing Connctr.Kit, Pmp, 4-33

V

Valve Assy, 8210 (See Breakdowns), 3-33
 Valve Kit, Poppet, 4-33
 Valve Stem 3W2P, 4-31
 Valve Stem 4W2P, 4-25, 4-27, 4-29, 4-31, 4-32
 Valve Stem, 4-31
 Valve, Ball, 04 Pf Chm W/ Handle, 2-49
 Valve, By-Pass, Oil Filter, 6-10
 Valve, Check, Soltn, 12pm, 3-13
 Valve, Check, Solution, 3-11
 Valve, Check, 2-43, 3-37
 Valve, Dump, 4-3
 Valve, Exhaust, Std, 5-3
 Valve, Exhaust, 6-3
 Valve, Hyd Control Man, 4-23
 Valve, Hyd Control Sol (See Breakdowns), 2-157
 Valve, Hyd Control Sol, 4-25, 4-27, 4-29, 4-31, 4-32
 Valve, Hyd, Solution Control (See Breakdowns), 3-33
 Valve, Hydraulic Control, Man (See Breakdowns), 2-155
 Valve, Intake, Std, 5-3
 Valve, Intake, 6-3
 Valve, Lpg, Press Relief, [Rego], 3-61
 Valve, Lpg, Press Relief, 2-53
 Valve, Motor, Hyd, 4-13
 Valve, Press Relief, Lpg Rego, 2-51
 Valve, Relief, 2750 Psi, 4-5
 Valve, Relief, Oil Press, 6-10
 Valve, Shutoff, Lpg, W/ Wire Connector, 2-44
 Valve, Solenoid, 12V Dc, 3-3
 Valve, Solenoid, 12vdc, 3-5
 Valve, Stem, 4-25, 4-27, 4-29
 Valve, Trim, Fuel, Normal Flow, E90, 2-44
 Valve, Trim, Fuel, Normal Flow, 2-44
 Valve, Water, Sol .50 Hose 12V, 2-129
 Valve, Water, Sol, 12vdc 0.08pf, 3-7
 Valve,Water 12V Soleniod (Replaced by 369850), 3-9
 Valve, 4-11
 Vaporizer Repair Kit, 2-51
 Vaporizer, Lpg, 2-51
 Vr, Engine [Long Block Gm 1.6l] (See GM 1.6L Engine Breakdown), 2-33, 2-35
 Vr, Sensor, Temp, Coolant, 2-33, 2-35

W

Wand Kit, Vac, 3-55
 Wand, Metal (2 Piece), 3-55
 Washer, .406B 1.25D .12Poly, 3-35
 Washer, .562B 3.03 D .25Hr, 2-89, 2-93
 Washer, 0.53b 1.88d .12, Stl, Pl, 2-33, 2-35
 Washer, 1/4 Lock, 5-7, 5-11

CROSS REFERENCE

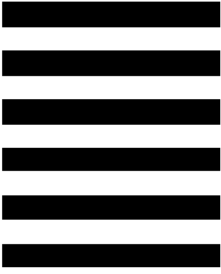
- Washer, Adjusting, 2-117
Washer, B10 x 20 x 2.5, 5-7
Washer, B8 Lock, 5-9, 5-11, 5-14
Washer, Belleville, .31, 2-141
Washer, Belleville, .31, 2-23, 2-65, 2-117, 2-119, 2-143, 2-145, 3-63
Washer, Belleville, .50, 2-89
Washer, Felt, 2-87
Washer, Flat .25 Ss, 2-101
Washer, Flat, .25 Std, 3-59
Washer, Flat, .25 Fender, 2-71, 2-91, 2-107, 3-51, 3-53
Washer, Flat, .25 Hard, 3-51
Washer, Flat, .25 Ss, 2-11, 2-97, 2-123, 2-125, 2-129, 3-3, 3-39, 3-65, 3-67
Washer, Flat, .25 Std, 2-141
Washer, Flat, .31 Fender, 3-51, 3-53
Washer, Flat, .31 Ss, 2-11, 2-19, 2-67, 2-95, 2-107, 2-109, 2-111, 2-113, 2-115, 2-125, 2-129, 2-141, 2-151, 2-153, 3-3, 3-9, 3-17, 3-19, 3-31, 3-35, 3-37, 3-39, 3-41, 3-43, 3-45, 3-72, 3-73
Washer, Flat, .38 Hard, 2-113, 2-115, 3-43, 3-45, 3-51
Washer, Flat, .38 Sae, 2-33, 2-35
Washer, Flat, .38 Ss, 2-19, 2-113, 2-115, 3-35, 3-41, 3-43, 3-45
Washer, Flat, .38, Hardened, 2-65
Washer, Flat, .44 Std Hard, 2-105
Washer, Flat, .50 Sae, 2-103
Washer, Flat, .50 Ss, 2-113, 3-43
Washer, Flat, .75 Sae, 2-9
Washer, Flat, #08 Ss, 3-7, 3-17, 3-19
Washer, Flat, #10 Ss, 2-49, 2-83, 2-109, 2-127, 3-15, 3-31, 3-35, 3-43
Washer, Flat, #10, Ss, 2-75
Washer, Flat, #10, 2-37, 2-41, 2-65, 2-85
Washer, Flat, #8, Ss, 2-5, 2-7
Washer, Flat, 0.25 Sae, 2-39, 2-43, 2-53, 2-57, 2-61, 2-93, 2-143
Washer, Flat, 0.25 Ss, 2-5, 2-7, 3-7, 3-33
Washer, Flat, 0.25 Std, 2-33, 2-35, 2-39, 2-43, 2-49, 2-51, 2-53, 2-73, 2-75, 2-77, 2-91, 2-93, 2-143, 2-151, 2-153, 3-53, 3-61
Washer, Flat, 0.31 Sae, 2-39, 2-65, 2-83, 2-105, 3-51, 3-53
Washer, Flat, 0.31 Ss, 2-95, 2-125, 2-143, 3-29
Washer, Flat, 0.31 Std, 2-9, 2-39, 2-49, 2-53, 2-73, 2-79, 2-85, 2-87, 2-91, 2-93, 2-99, 2-105, 2-143, 3-11, 3-61, 3-63, 3-77, 3-81, 3-83
Washer, Flat, 0.31, Hardened, 2-65
Washer, Flat, 0.33b 0.75d .18, Stl, Pl, 2-143
Washer, Flat, 0.34B 1.5D .12,, Stl, Pl, 3-33
Washer, Flat, 0.38 Sae, 2-65, 2-85, 2-87, 2-119, 2-143, 2-149
Washer, Flat, 0.38 Std, 2-33, 2-35, 2-65, 2-73, 2-85, 2-99, 2-105, 2-119, 2-149, 3-25, 3-27, 3-53, 3-81, 3-83
Washer, Flat, 0.40b 1.12d .12, Stl, Pl, 2-73
Washer, Flat, 0.40B 1.12D .12 Stl, Pl, 2-69
Washer, Flat, 0.44b 1.00 .08, Ss, 3-61
Washer, Flat, 0.50 Sae, 2-119
Washer, Flat, 0.50 Std, 2-33, 2-35, 2-93
Washer, Flat, 0.56b 1.38d .11, Ss, 2-119
Washer, Flat, 0.62 Std, 2-143
Washer, Flat, 0.75 Sae, 2-87
Washer, Flat, 1.00 Std, 2-83
Washer, Flat, 6 mm, 5-3
Washer, Flat, M20, 21 X37X3, 2-81
Washer, Flat, Pump, Hyd, 4-5
Washer, Flat, 2-147, 3-85, 5-7
Washer, Flt, .25 Ss, 3-5
Washer, Flt, .31 Sae, 2-19
Washer, Flt, .31 Ss, 3-5
Washer, Flt, .31 Std, 2-13
Washer, Flt, 2-79
Washer, Lock, Int, .62, 2-143
Washer, Lock, Int, #04, 2-89
Washer, Lock, Int, #08, 2-49
Washer, Lock, Int, M3 Ss, 2-85
Washer, Lock, Int-Ext, .31, 2-63
Washer, Lock, Int-Ext, .38, 2-31, 2-33, 2-35, 2-63, 2-65
Washer, Lock, M6, Front Cover and W/P to Block, 5-13
Washer, M6 Lock, 5-14
Washer, Main Bearing Thrust, 0.015 OS, 5-9
Washer, Main Bearing Thrust, Std, 5-9
Washer, Nylon, 2-85
Washer, Polye, 3-81, 3-83
Washer, Pulley to Crankshaft, B12, 5-9
Washer, Pulley, Cshft, 6-9
Washer, Pump, Hyd [En], 4-5
Washer, Rbr, .12 0.66B 1.00D, 3-3, 3-5, 3-7
Washer, Sealing, 3-21
Washer, Spring, 5-7
Washer, Sprkt, Camshaft, 6-3, 6-7
Washer, Ss, 2-97, 3-39
Washer, Thrust, 1.18D.69B.06W, 2-103
Washer, 2-31, 2-37, 2-67, 2-71, 2-81, 2-85, 2-87, 2-99, 2-101, 2-113, 2-115, 2-117, 2-121, 2-141, 2-147, 2-157, 3-41, 3-45, 3-85, 4-3, 4-23
Water Pump, 5-14
Weight, Eccentric, 2-97
Wheel & Tire Assy, Solid, 2-81
Wheel and Bearing Assy, Solid, 2-81
Wheel Steering 14Diax36T, 2-21
Wheel, 3 Inch Dia, 2-121
Wheel, 3.0d 1.38w 0.50b, 2-3
Wheel, Wall Roller, 2-9
Wingnut, 3-75
Wire Ass'Y-Elect.,Ground, 2-31
Wire Assy, 06Ga 13.0L Blk .41H/.41H, 2-33, 2-35
Wire Kit, Alternator, Ci, [8200/8210], 2-63
Wire Set, Sparkplug [1.6], 6-8
Wire, Ground, 2-63, 2-65
Wire, Spark Plug, No. 1, 5-17
Wire, Spark Plug, No. 2, 5-17
Wire, Spark Plug, No. 3, 5-17
Wire, Spark Plug, No. 4, 5-17
Wldt, Lift Arm, Scrubhd, 2-Br, 2-109, 3-31
Wldt, Lift Arm, Scrubhd, 3-Br, 3-35
Wrap, Seal, 2-9



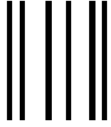
TENNANT COMPANY
 Technical Publications #15
 701 North Lilac Drive
 P.O. Box 1452
 Minneapolis, MN 55440-9947

POSTAGE WILL BE PAID BY ADDRESSEE

BUSINESS REPLY MAIL
 FIRST CLASS MAIL PERMIT NO. 94 MINNEAPOLIS, MN



NO POSTAGE
 NECESSARY
 IF MAILED
 IN THE
 UNITED STATES



Fold along dotted lines

Tape here

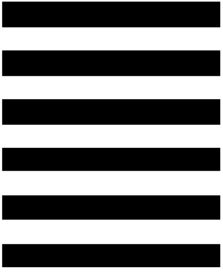




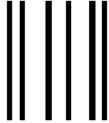
TENNANT COMPANY
 Technical Publications #15
 701 North Lilac Drive
 P.O. Box 1452
 Minneapolis, MN 55440-9947

POSTAGE WILL BE PAID BY ADDRESSEE

BUSINESS REPLY MAIL
 FIRST CLASS MAIL PERMIT NO. 94 MINNEAPOLIS, MN



NO POSTAGE
 NECESSARY
 IF MAILED
 IN THE
 UNITED STATES



Fold along dotted lines

Tape here

